



US00D424329S

United States Patent [19] Lundberg

[11] Patent Number: Des. 424,329

[45] Date of Patent: ** May 9, 2000

[54] DISPLAY RACK

[76] Inventor: J. Craig Lundberg, 1915 142nd St.,
Mill Creek, Wash. 98012

[**] Term: 14 Years

[21] Appl. No.: 29/095,937

[22] Filed: Nov. 2, 1998

[51] LOC (7) Cl. 06-04

[52] U.S. Cl. D6/457; D6/469

[58] Field of Search D6/411, 412, 415,
D6/450, 455, 457; 211/1, 13.1, 85.2; 248/174;
206/6.1

[56] **References Cited**

U.S. PATENT DOCUMENTS

D. 41,538	7/1911	Dalton .	
D. 90,660	9/1933	Hooker	D6/450
D. 165,404	12/1951	Talmadge	D80/9
D. 241,209	8/1976	Petrosinelli	D20/2
D. 241,394	9/1976	Widdowson	D20/2
D. 249,603	9/1978	DiBartolo	D6/85
D. 251,222	3/1979	Patterson	D6/85
D. 263,356	3/1982	Myer	D6/151
D. 301,949	7/1989	Shepherd	D6/457
D. 303,899	10/1989	Ancona et al.	D7/71
D. 335,593	5/1993	France	D6/457
D. 340,368	10/1993	Paige	D6/412
D. 344,248	2/1994	Wiggins	D11/117
D. 401,079	11/1998	Clarke	D6/415
1,881,423	10/1932	Favreau .	
1,956,115	4/1934	Brennan	248/174
2,247,774	7/1941	Forsyth	211/178
2,865,122	12/1958	Clawson	40/124
3,126,237	3/1964	Kirk	312/204
3,501,072	3/1970	Kovener	248/174 X

4,196,239	4/1980	Sawyer	428/17
4,315,376	2/1982	Eichenauer	40/124.4
4,746,022	5/1988	Benham	211/195
4,819,817	4/1989	Mar	211/205

Primary Examiner—Doris V. Coles
Assistant Examiner—Linda Brooks
Attorney, Agent, or Firm—Dowrey & Associates

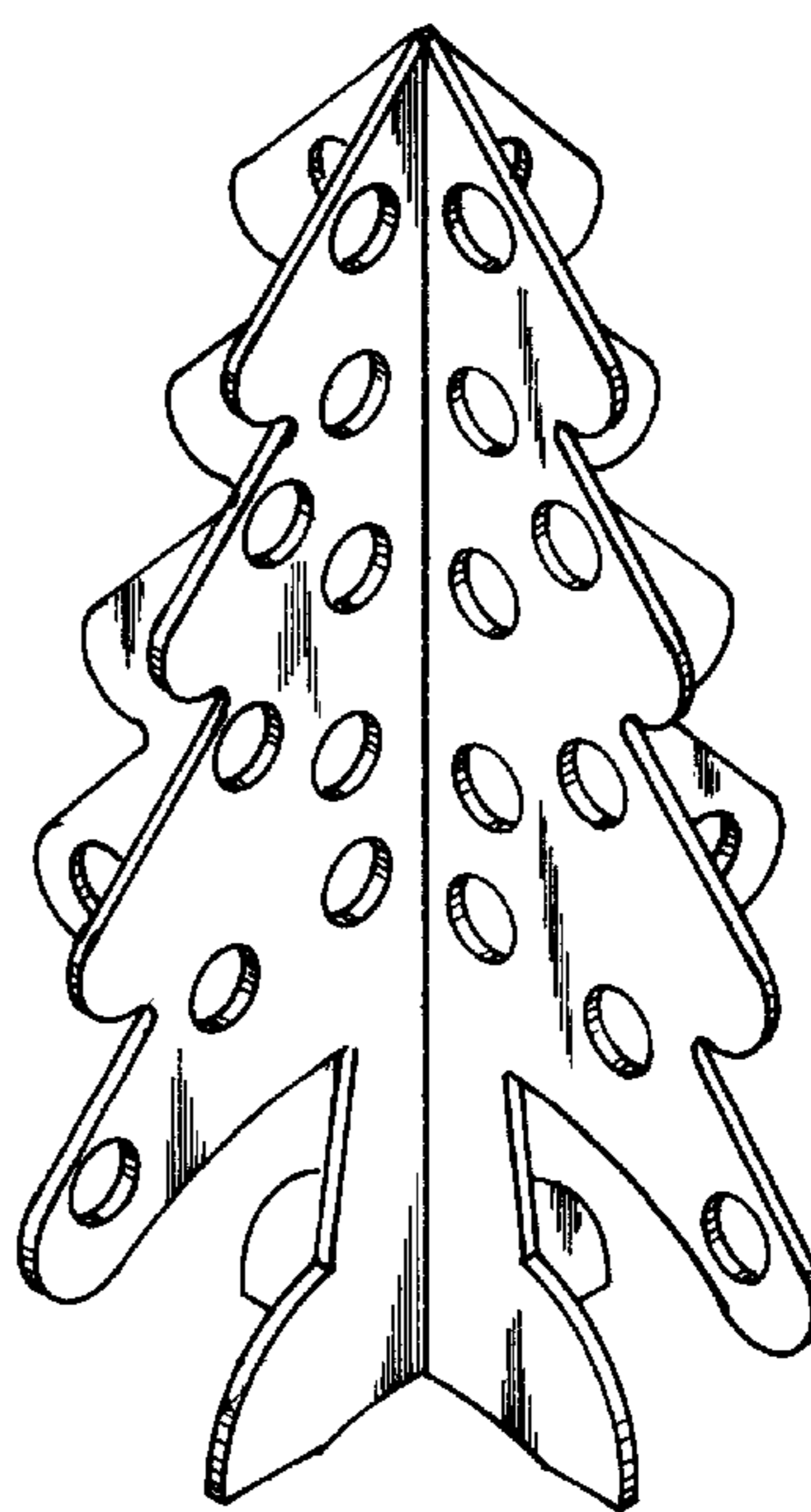
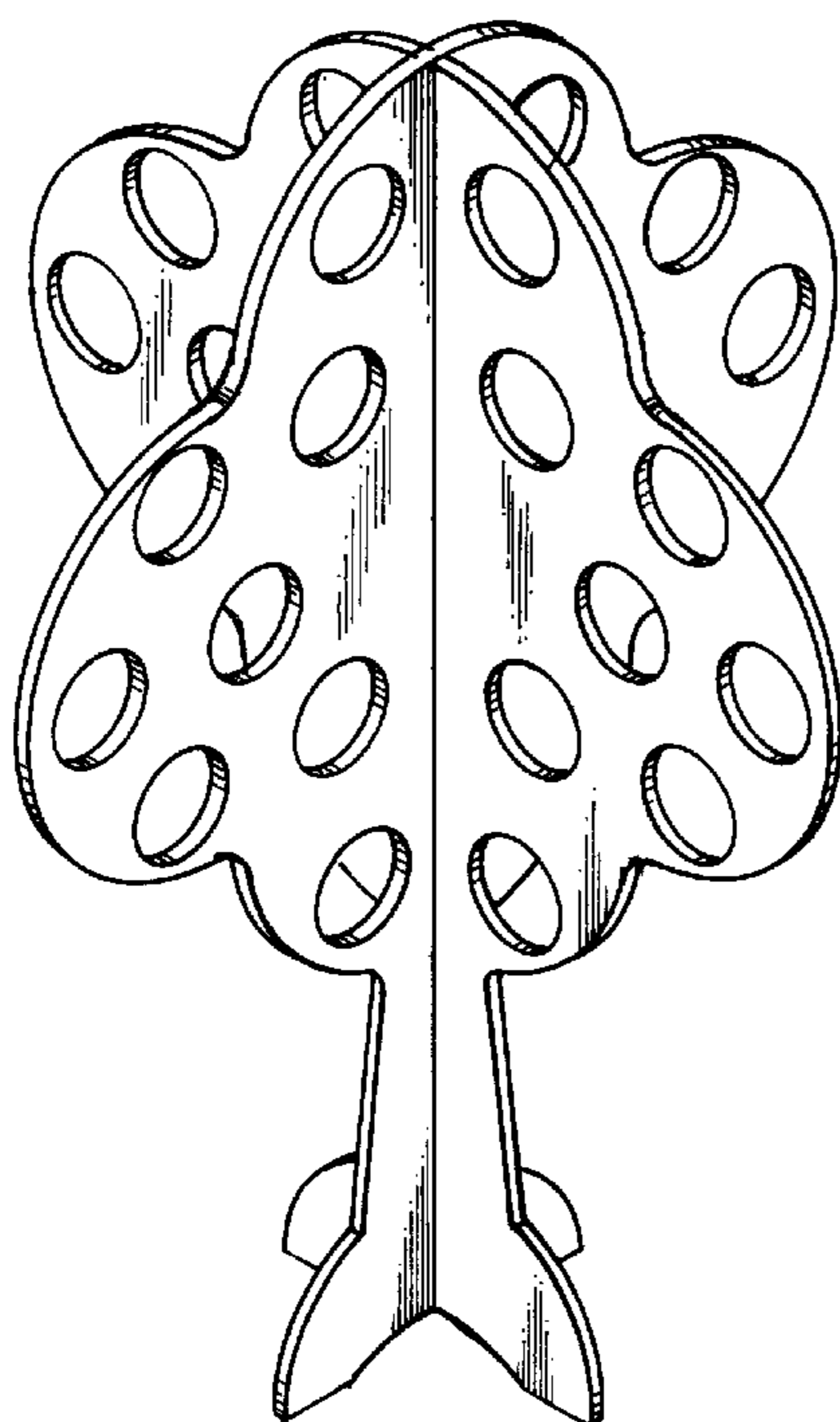
[57] **CLAIM**

The ornamental design for a display rack, as shown.

DESCRIPTION

FIG. 1 is a perspective view of the display rack;
 FIG. 2 is a right side elevation of the display rack, the left side being a mirror image thereof;
 FIG. 3 is a top plan view of the display rack;
 FIG. 4 is a bottom plan view of the display rack;
 FIG. 5 is a perspective view of a second embodiment of the display rack;
 FIG. 6 is a right side elevation of the second embodiment, the left side being a mirror image thereof;
 FIG. 7 is a top plan view of the second embodiment;
 FIG. 8 is a bottom plan view of the second embodiment;
 FIG. 9 is a perspective view of a third embodiment of the display rack;
 FIG. 10 is a right side elevation of the third embodiment, the left side being a mirror image thereof;
 FIG. 11 is a top plan view of the third embodiment;
 FIG. 12 is a bottom plan view of the third embodiment;
 FIG. 13 is a perspective view of a fourth embodiment of the display rack;
 FIG. 14 is a right side elevation of the fourth embodiment, the left side being a mirror image thereof;
 FIG. 15 is a top plan view of the fourth embodiment; and,
 FIG. 16 is a bottom plan view of the fourth embodiment.

1 Claim, 8 Drawing Sheets



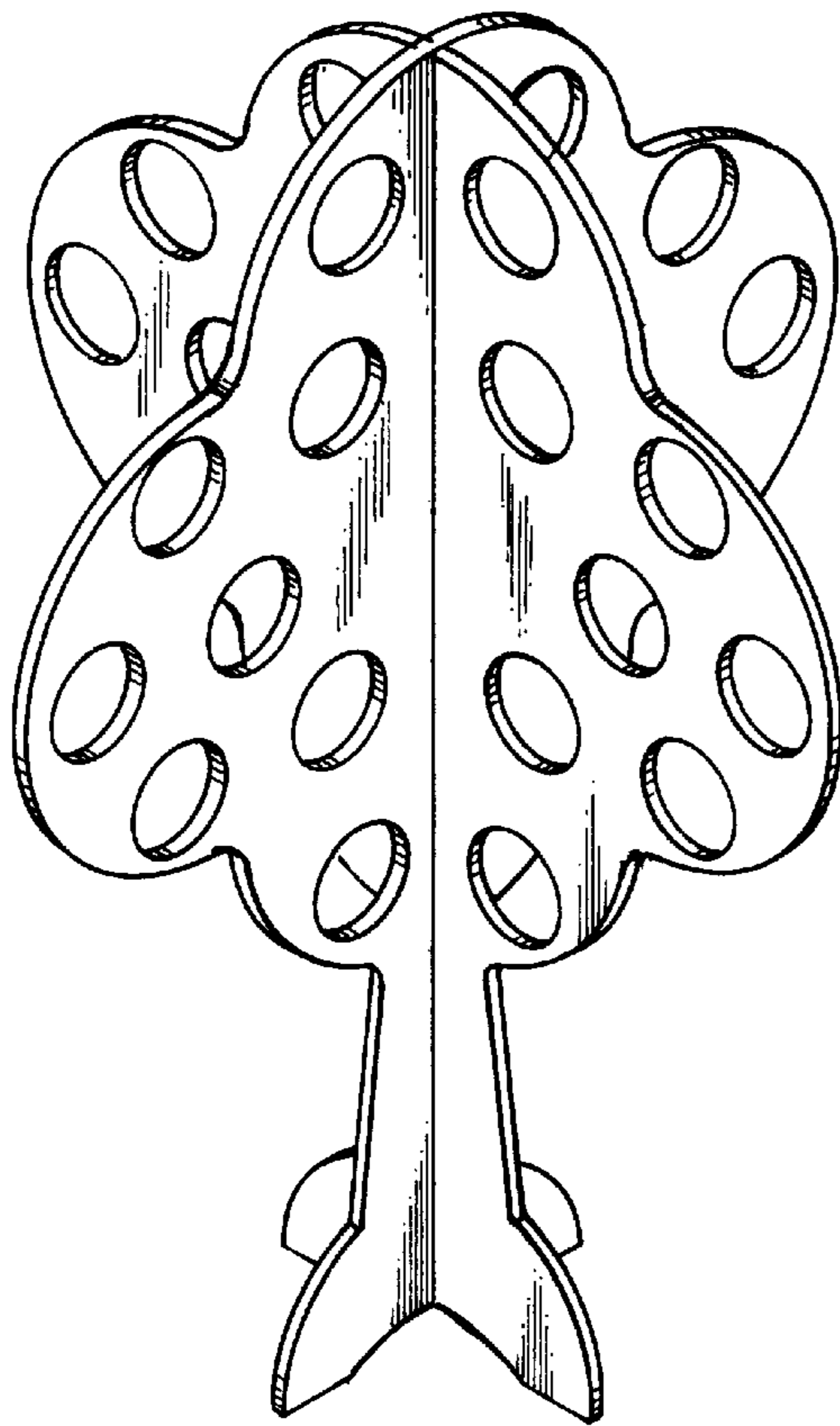


FIG. 1

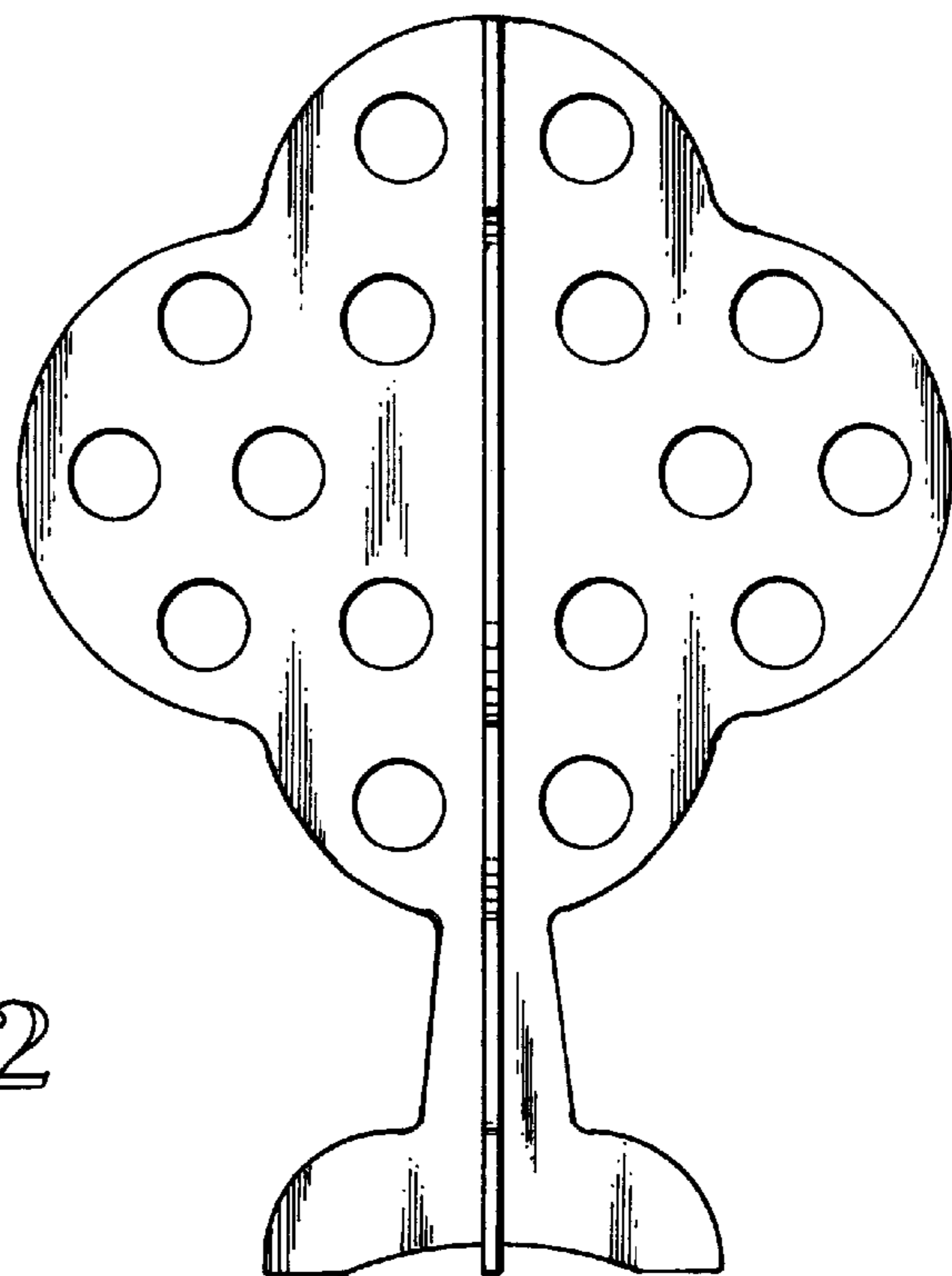


FIG. 2

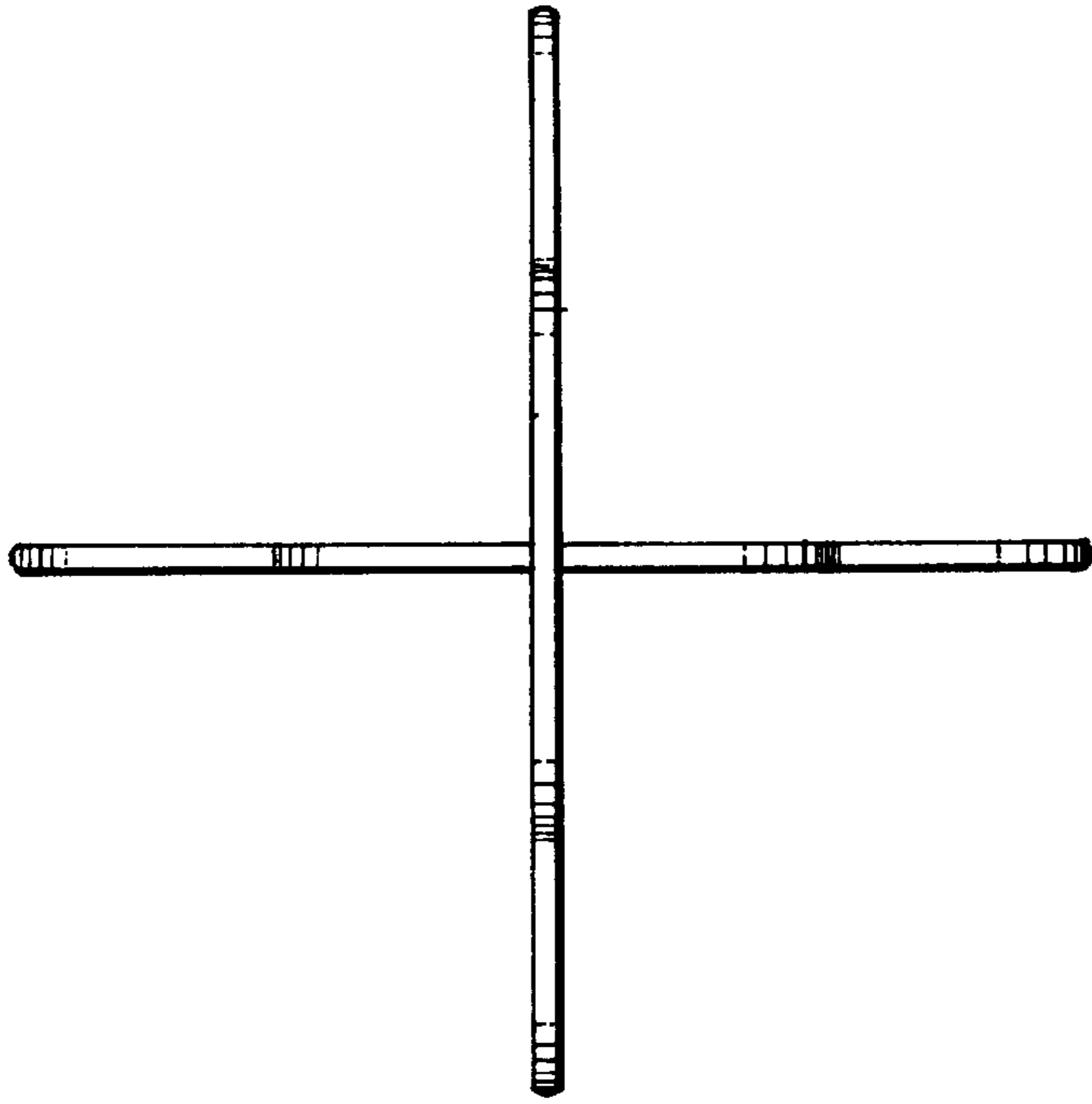


FIG. 3

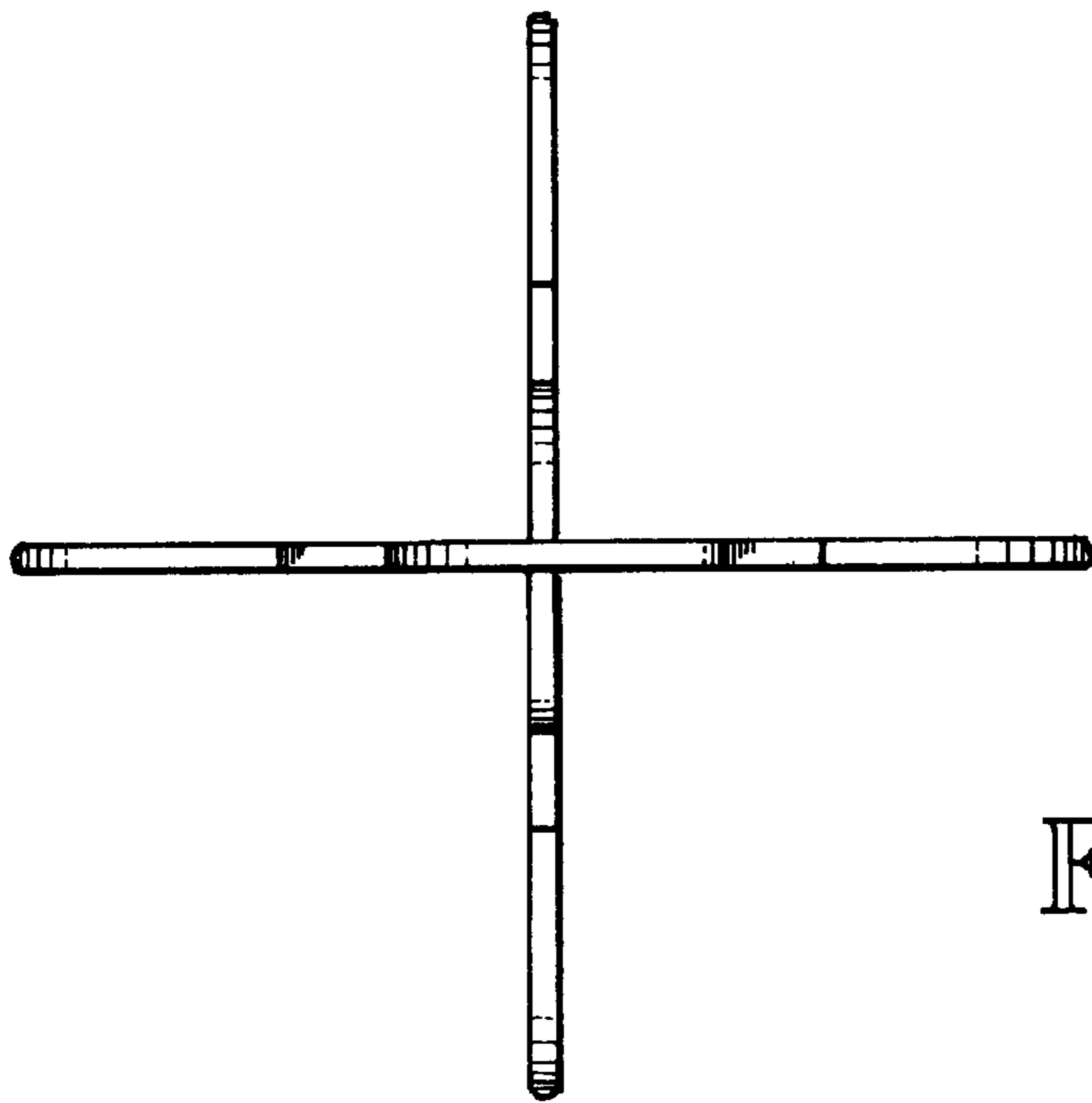


FIG. 4

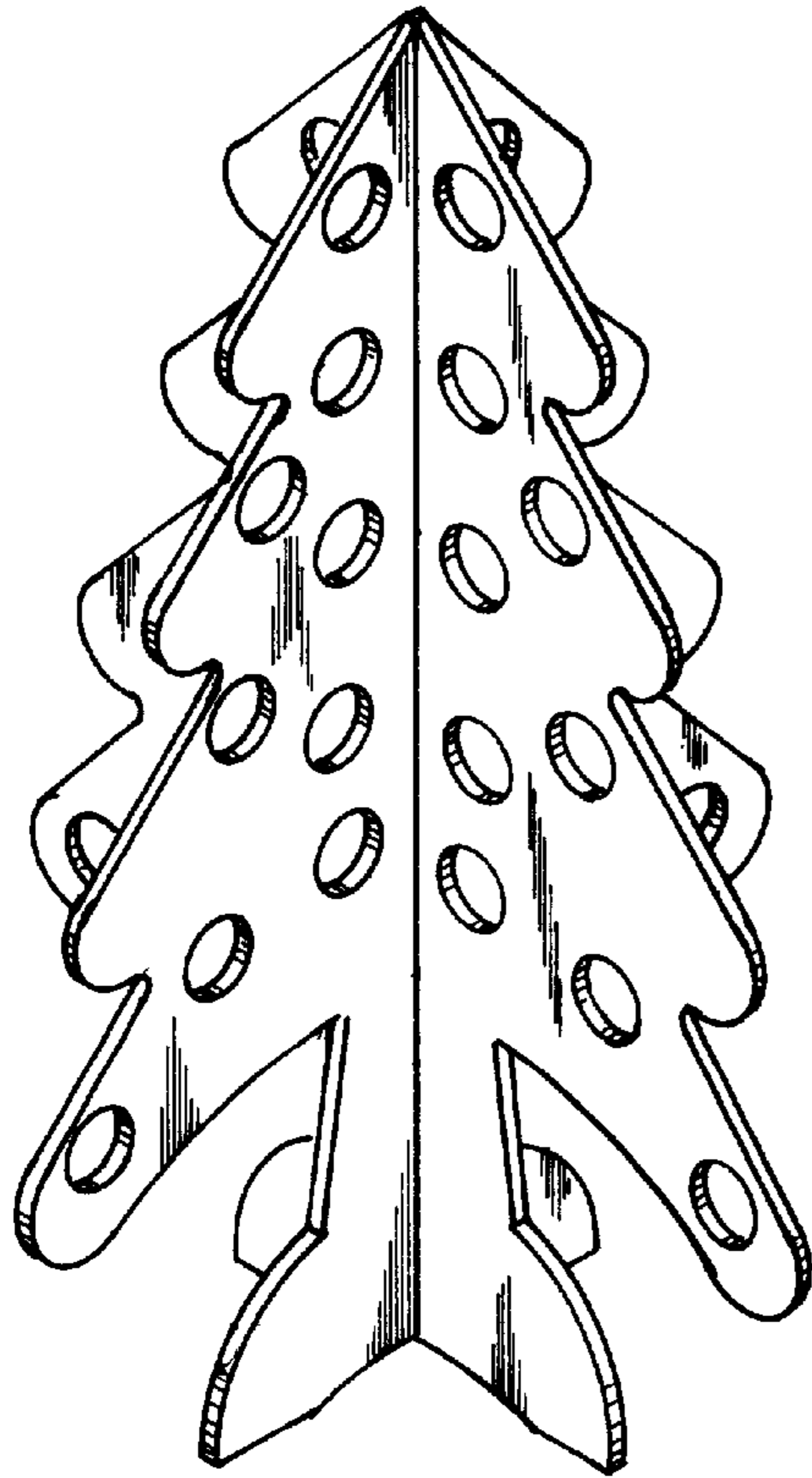
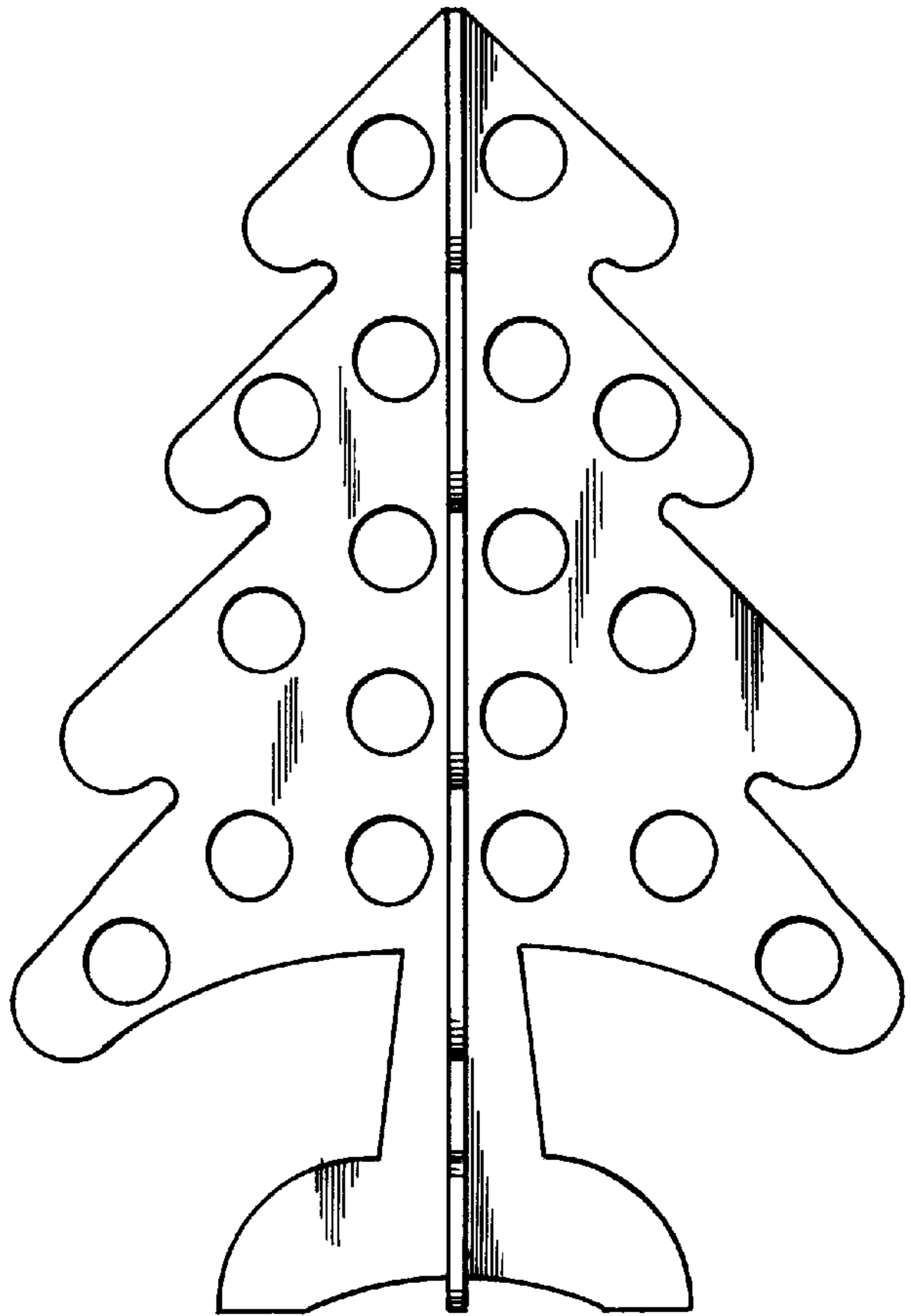


FIG. 5

FIG. 6



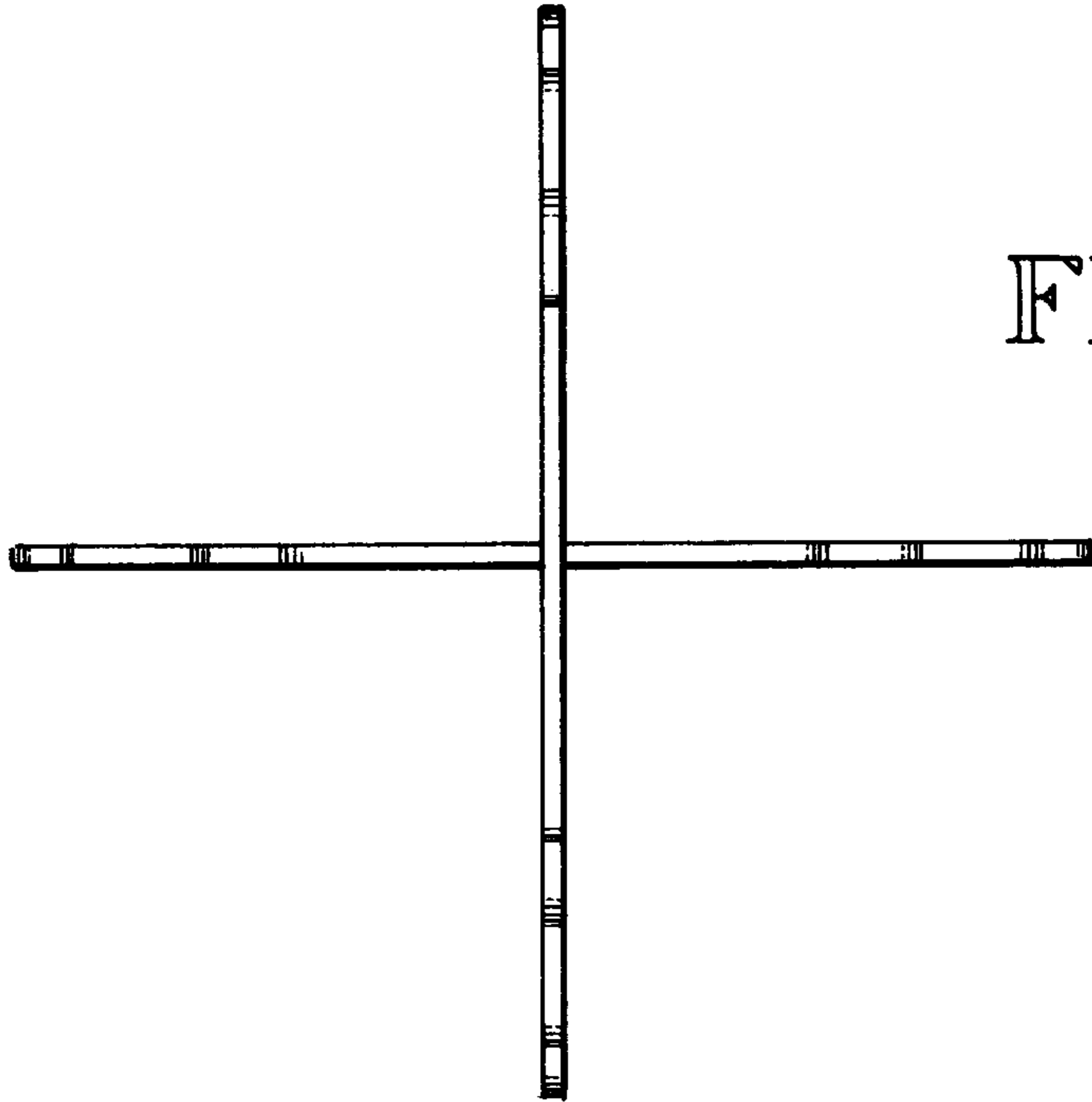


FIG. 7

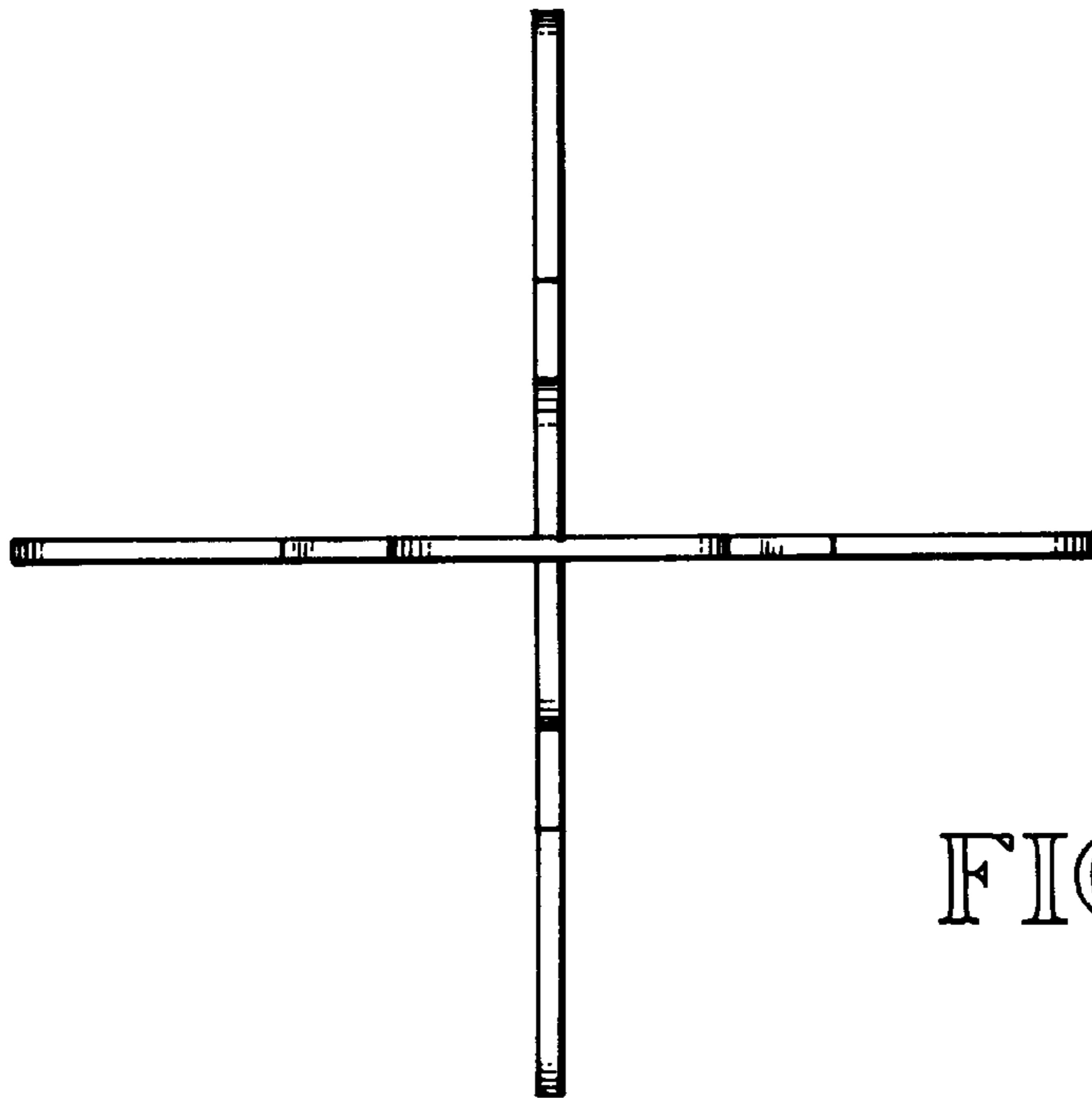


FIG. 8

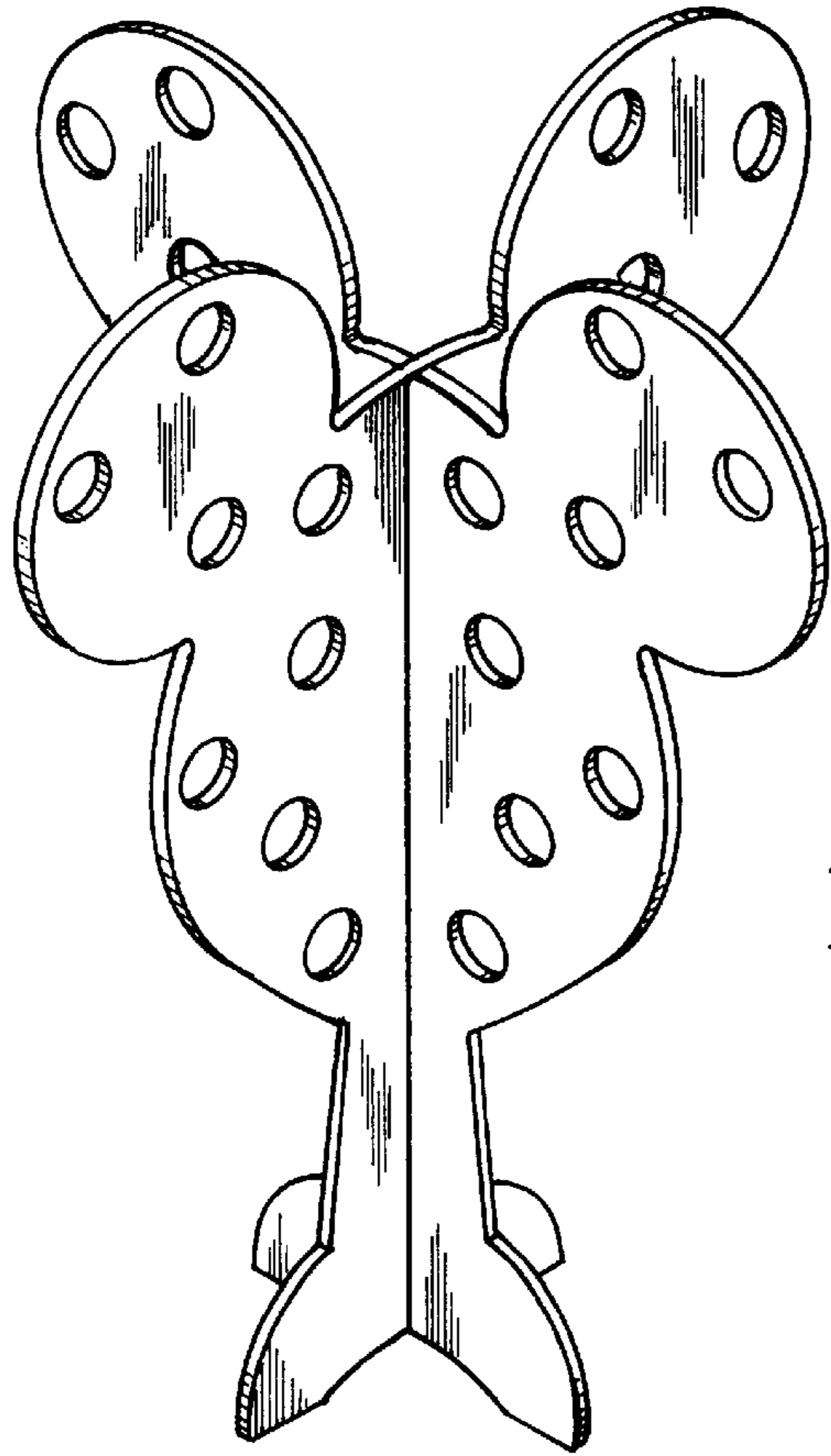


FIG. 9

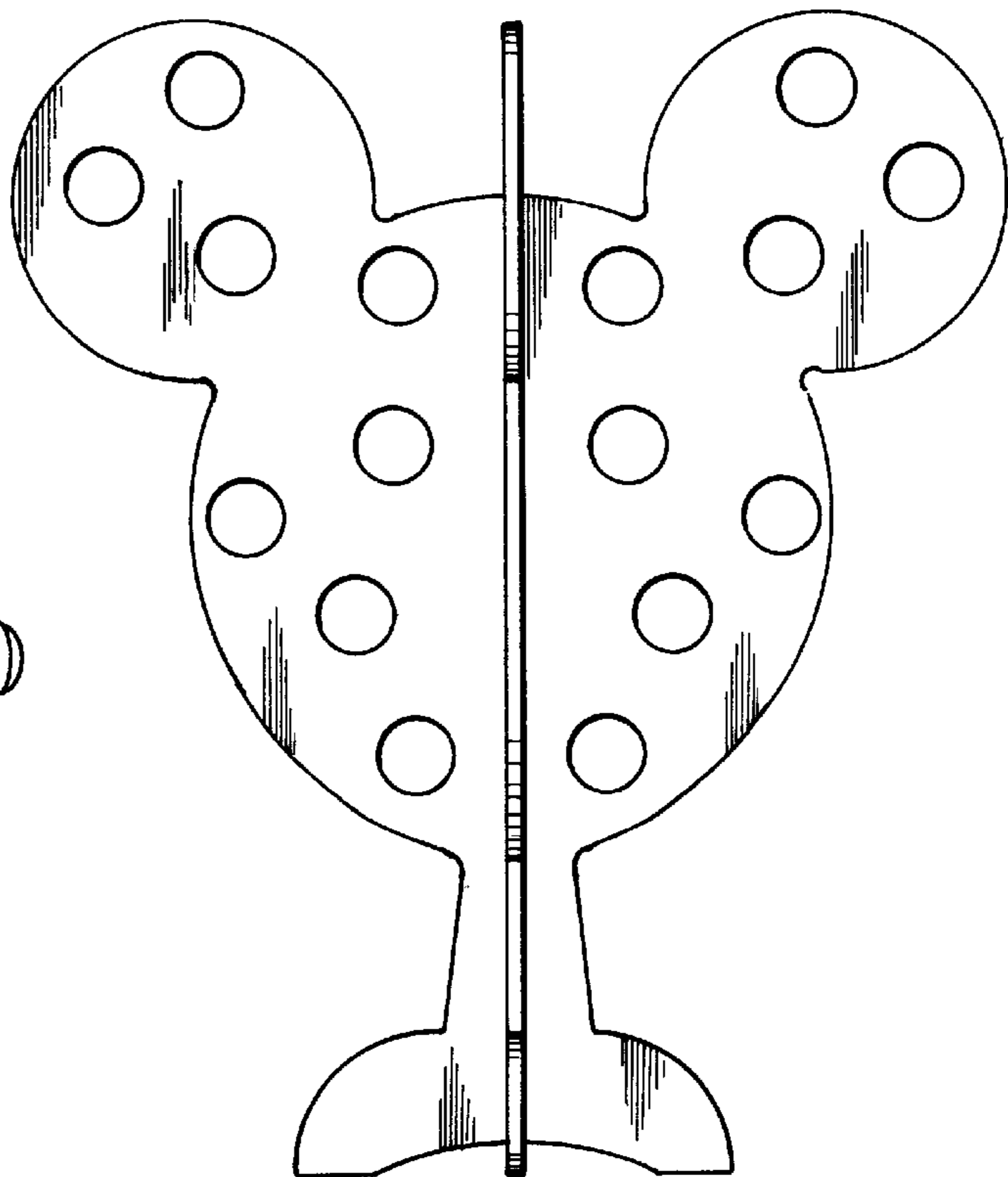


FIG. 10

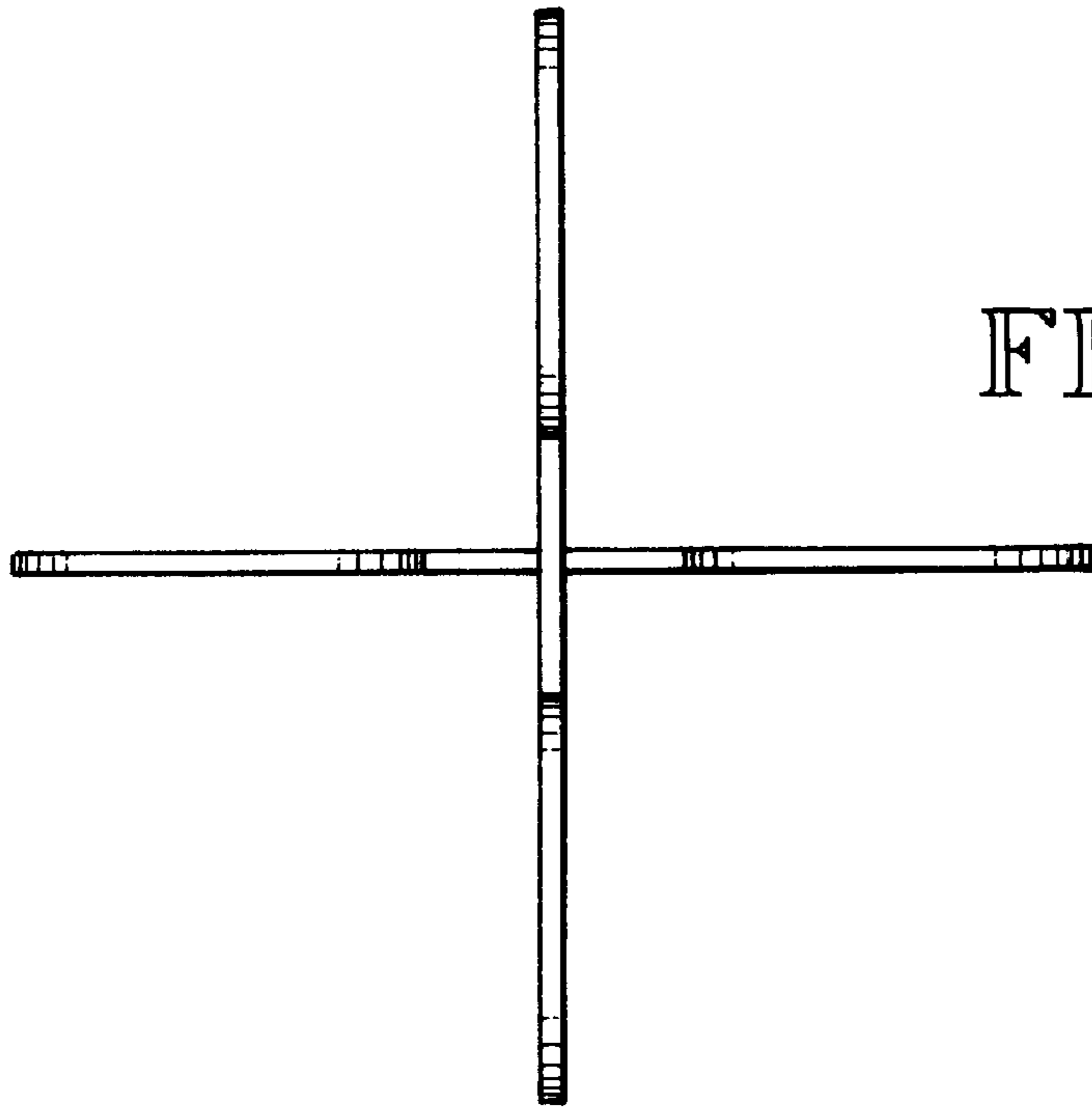


FIG. 11

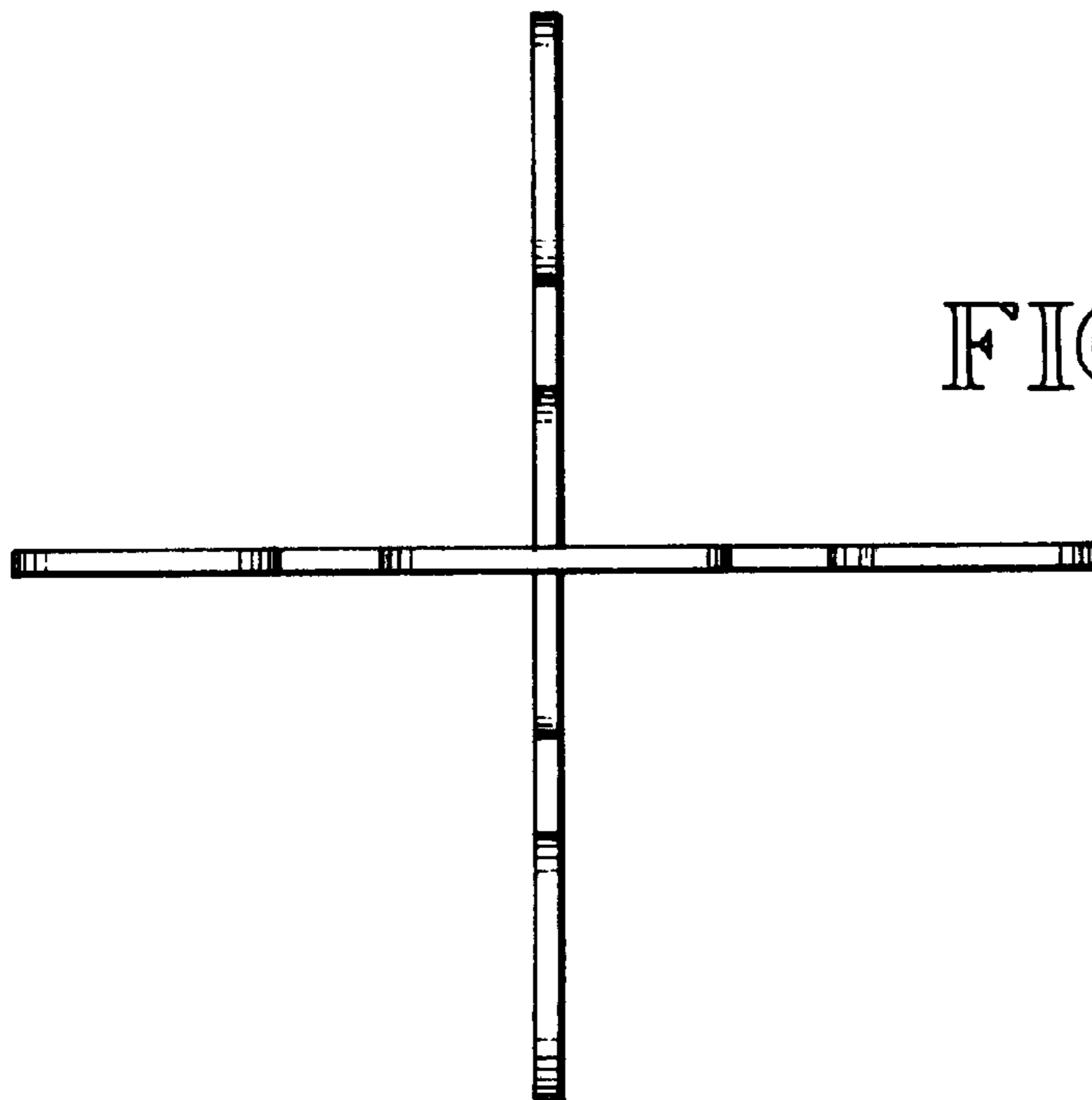


FIG. 12

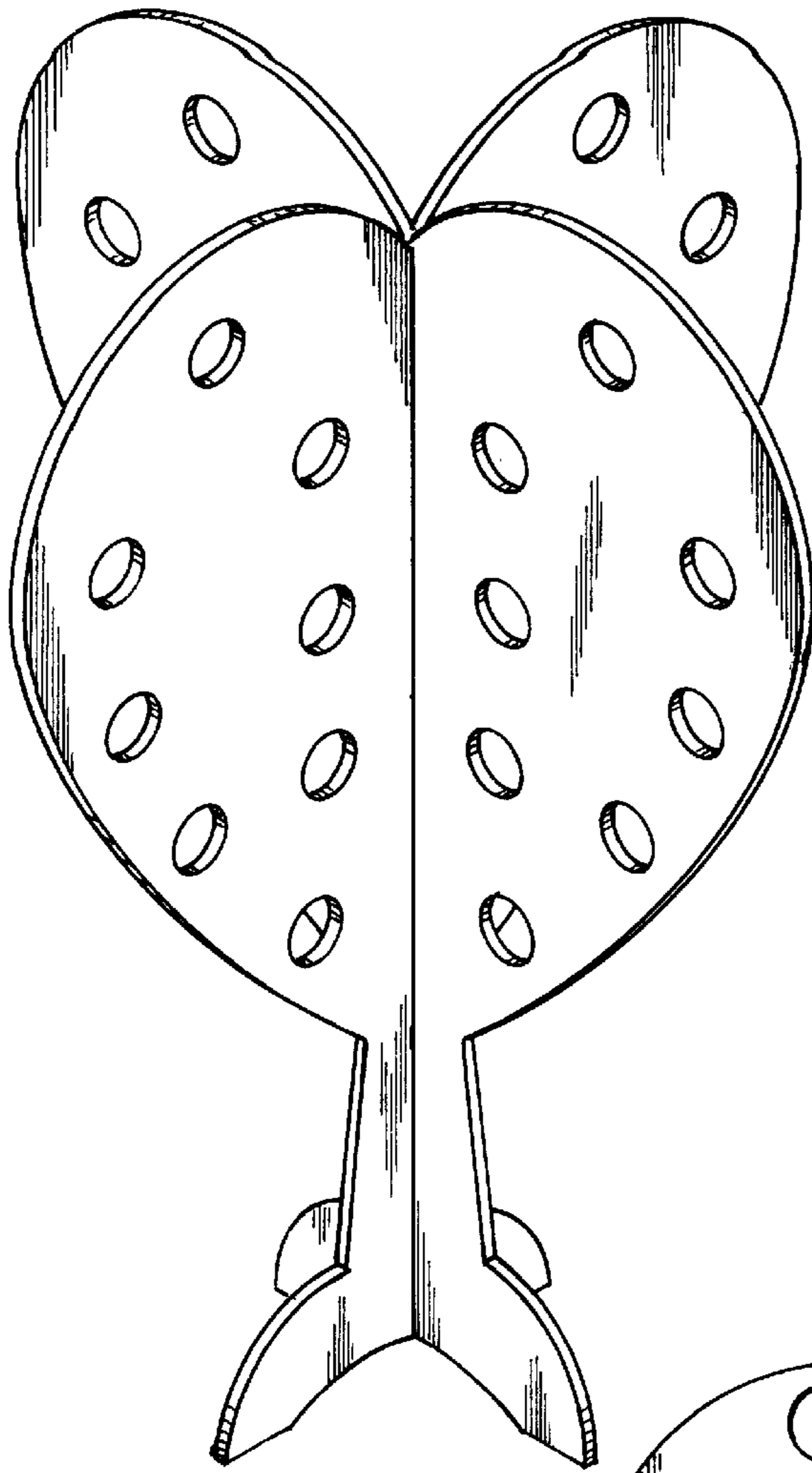


FIG. 13

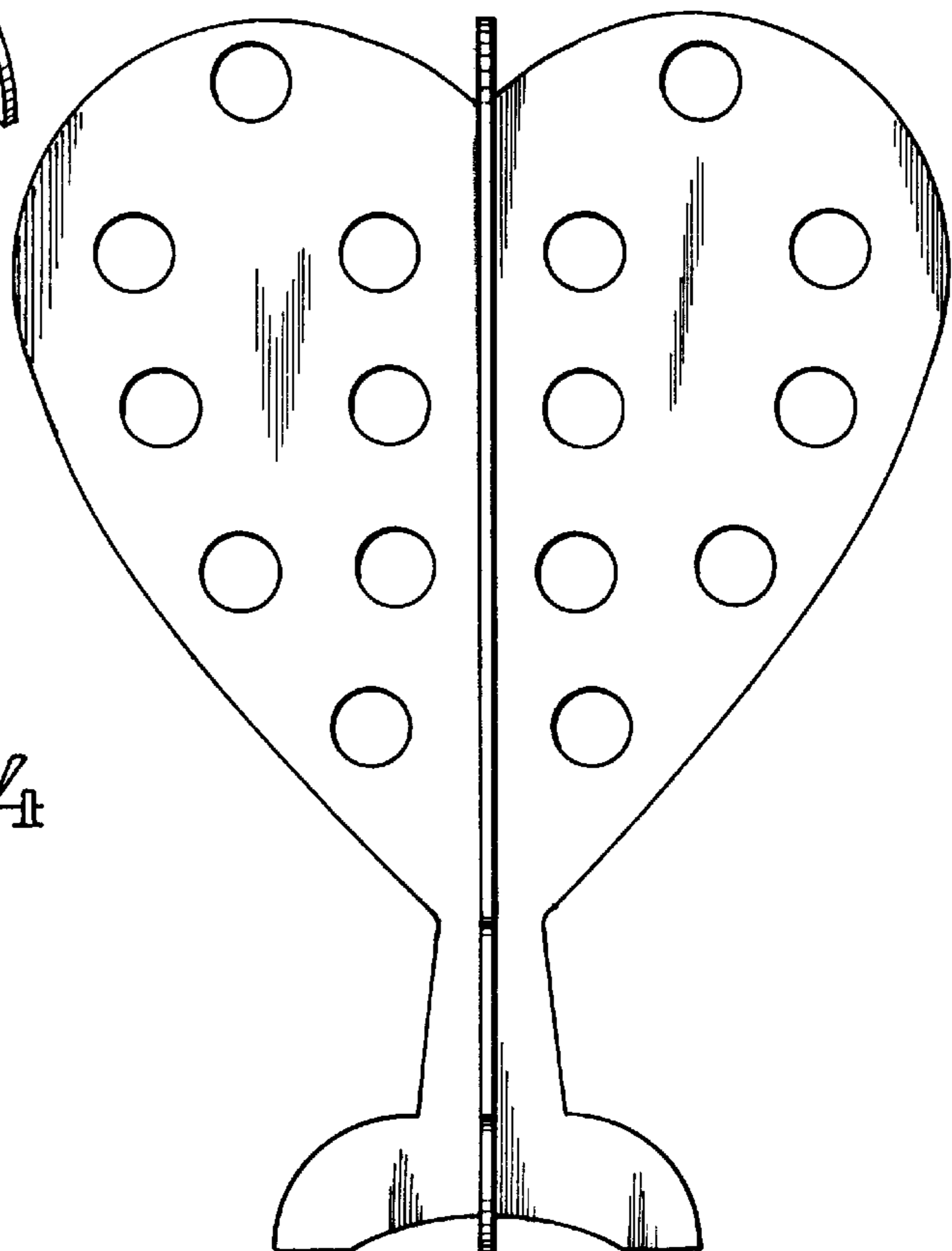


FIG. 14

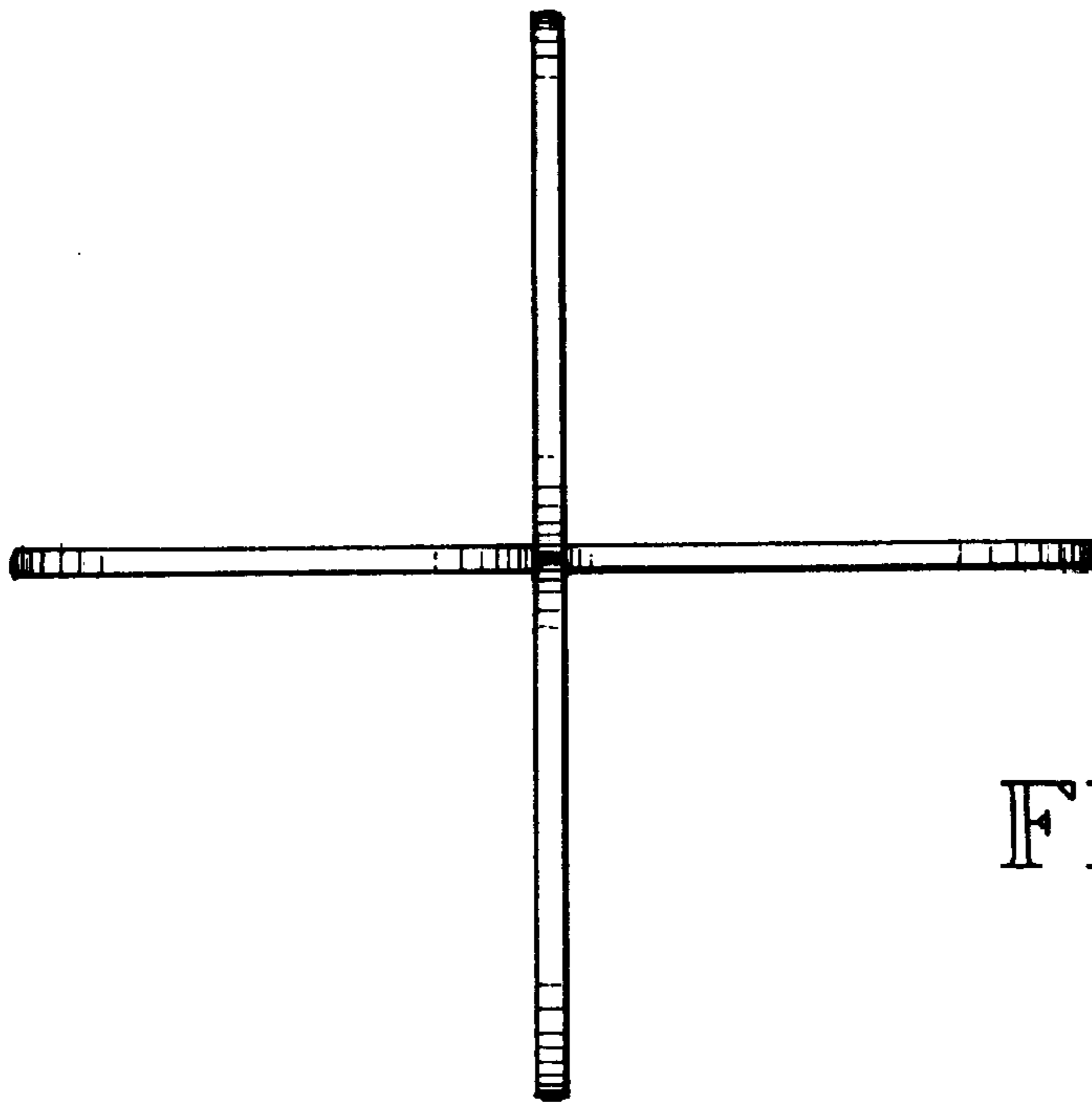


FIG. 15

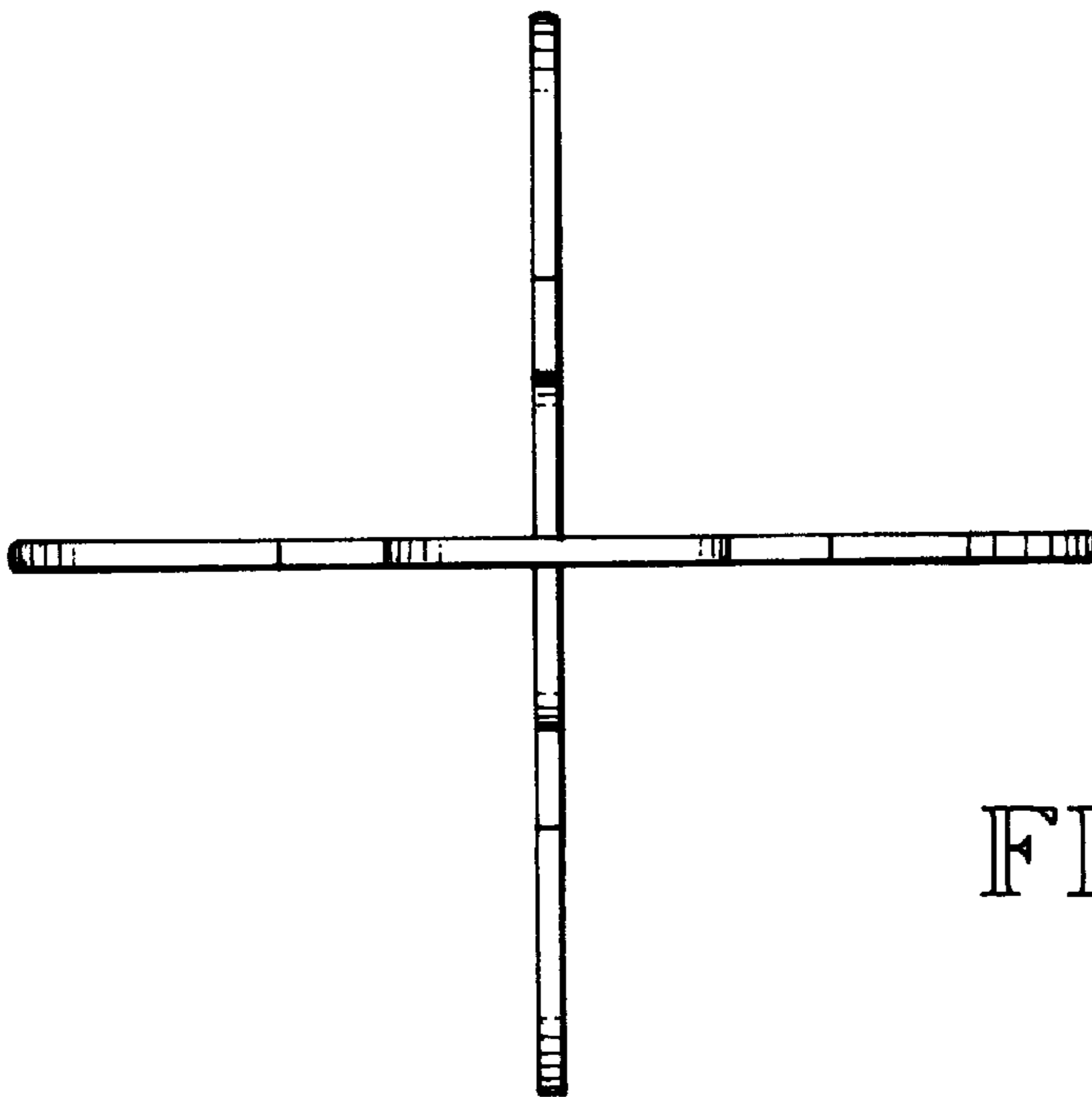


FIG. 16