



US00D424321S

United States Patent [19]
Sebby

[11] **Patent Number: Des. 424,321**

[45] **Date of Patent: ** May 9, 2000**

[54] **UTILITY CART WITH COOKBOOK STAND**

D. 408,954 4/1999 Geier et al. D34/19
437,833 10/1890 Hoffman .

[76] Inventor: **Frances Sebby**, 11135 Immanual Rd.,
Yorkville, Ill. 60560

Primary Examiner—Cathron B. Matta
Attorney, Agent, or Firm—Goldstein & Canino

[**] Term: **14 Years**

[57] **CLAIM**

[21] Appl. No.: **29/094,178**

The ornamental design for a utility cart with cookbook stand, as shown and described.

[22] Filed: **Sep. 28, 1998**

[51] **LOC (7) Cl.** **06-04**

[52] **U.S. Cl.** **D6/419; D6/420**

[58] **Field of Search** D6/397, 419, 420,
D6/436, 430; D18/59; D34/19, 21; 248/188.7,
441.1, 446, 448, 454, 455; 312/204, 233,
237, 257

DESCRIPTION

FIG. 1 is a perspective view of the utility cart with cookbook stand with a cookbook shown in broken lines representing environmental matter being for illustrative purposes only and forming no part of the claimed design.

FIG. 2 is a front elevational view thereof.

FIG. 3 is a rear elevational view thereof.

FIG. 4 is a left side elevational view thereof.

FIG. 5 is a right side elevational view thereof.

FIG. 6 is a top plan view of the utility cart with cookbook stand; and,

FIG. 7 is a bottom plan view thereof.

[56] **References Cited**

U.S. PATENT DOCUMENTS

- D. 188,939 10/1960 Toning D6/419
- 220,265 10/1879 Wolfe .
- D. 255,193 6/1980 Heitz D6/419 X
- D. 329,251 9/1992 Olswold D18/59
- D. 370,328 5/1996 Mathews et al. D6/430 X

1 Claim, 3 Drawing Sheets

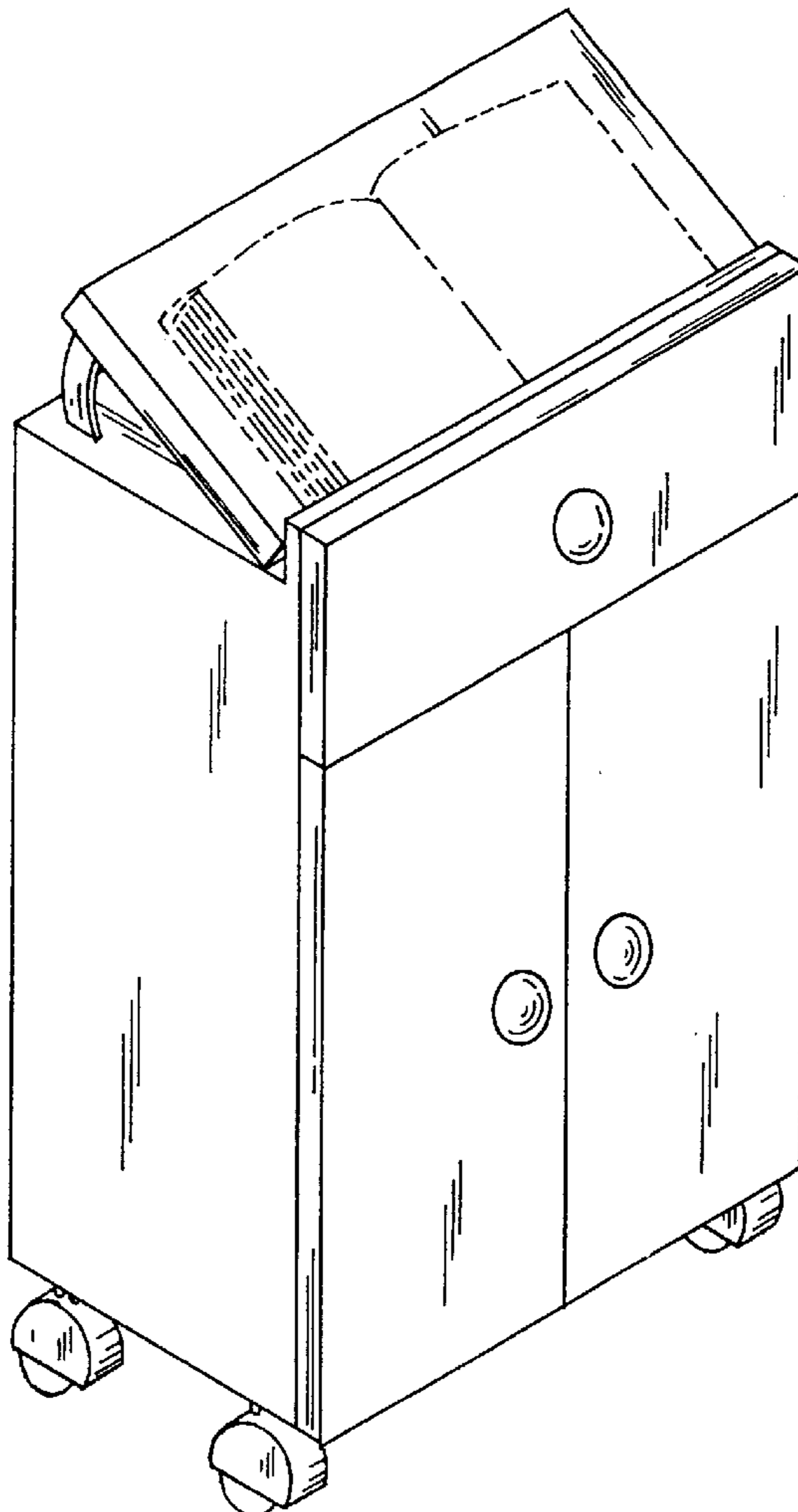
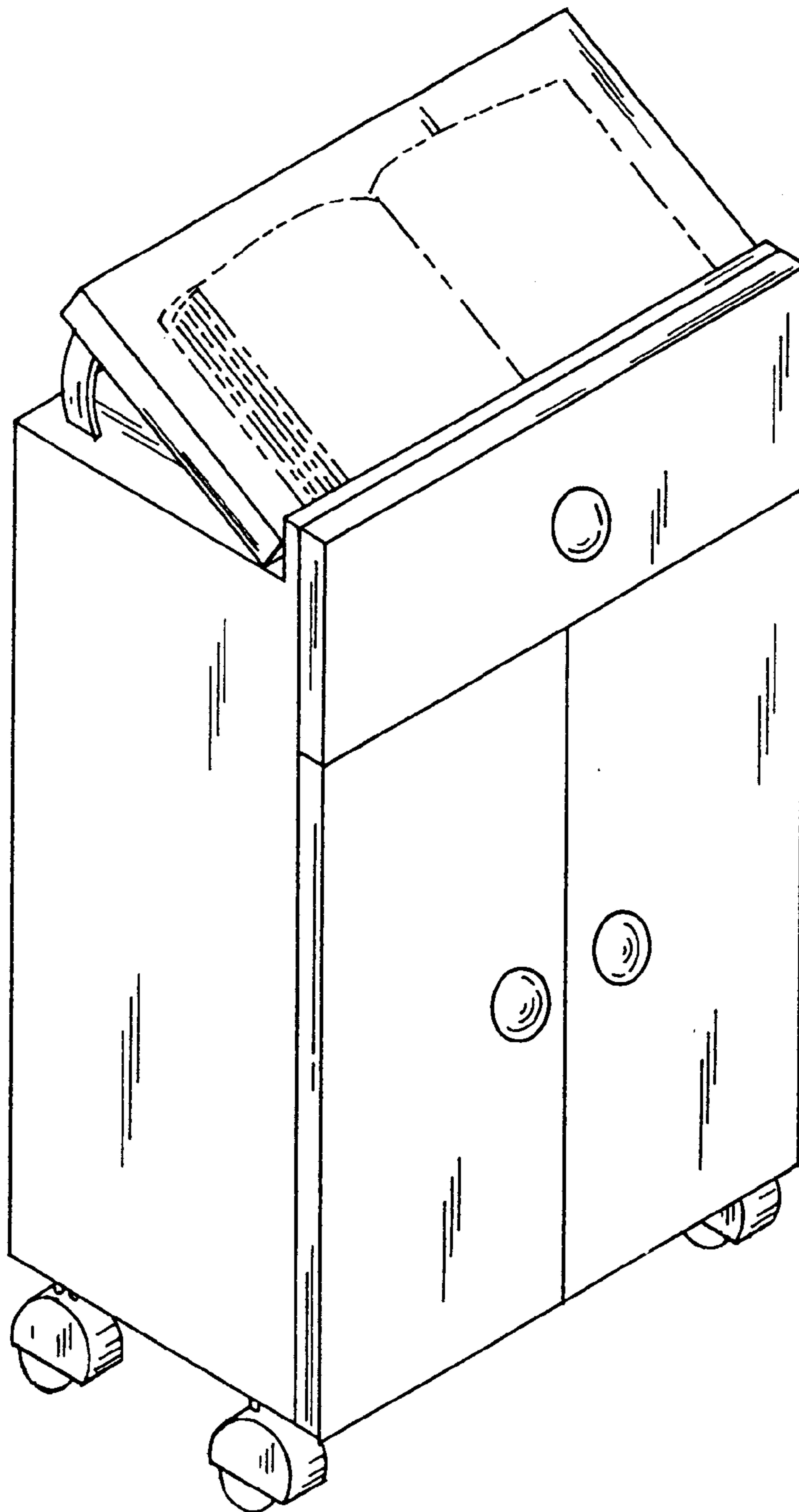


FIG. 1



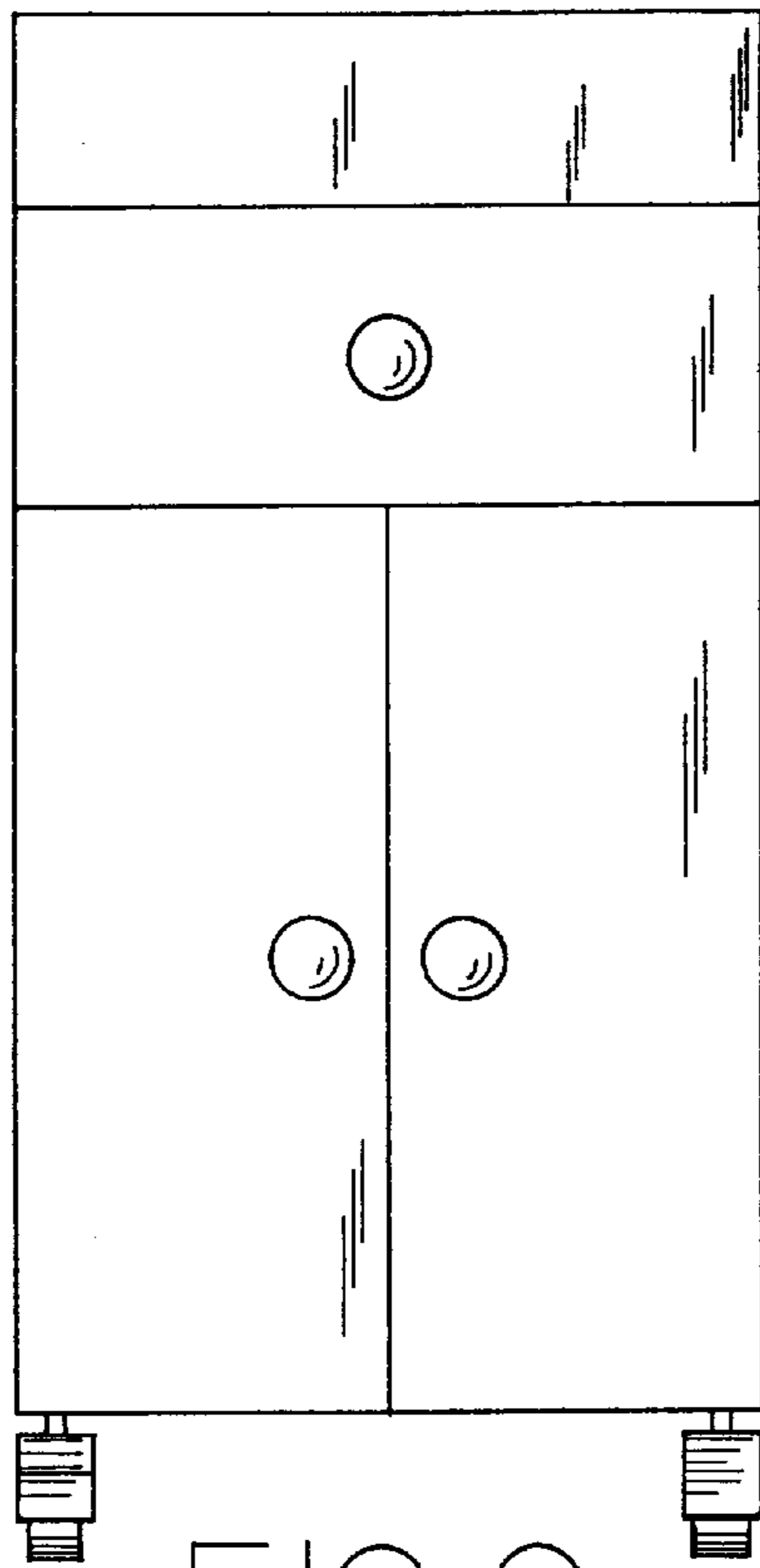


FIG. 2

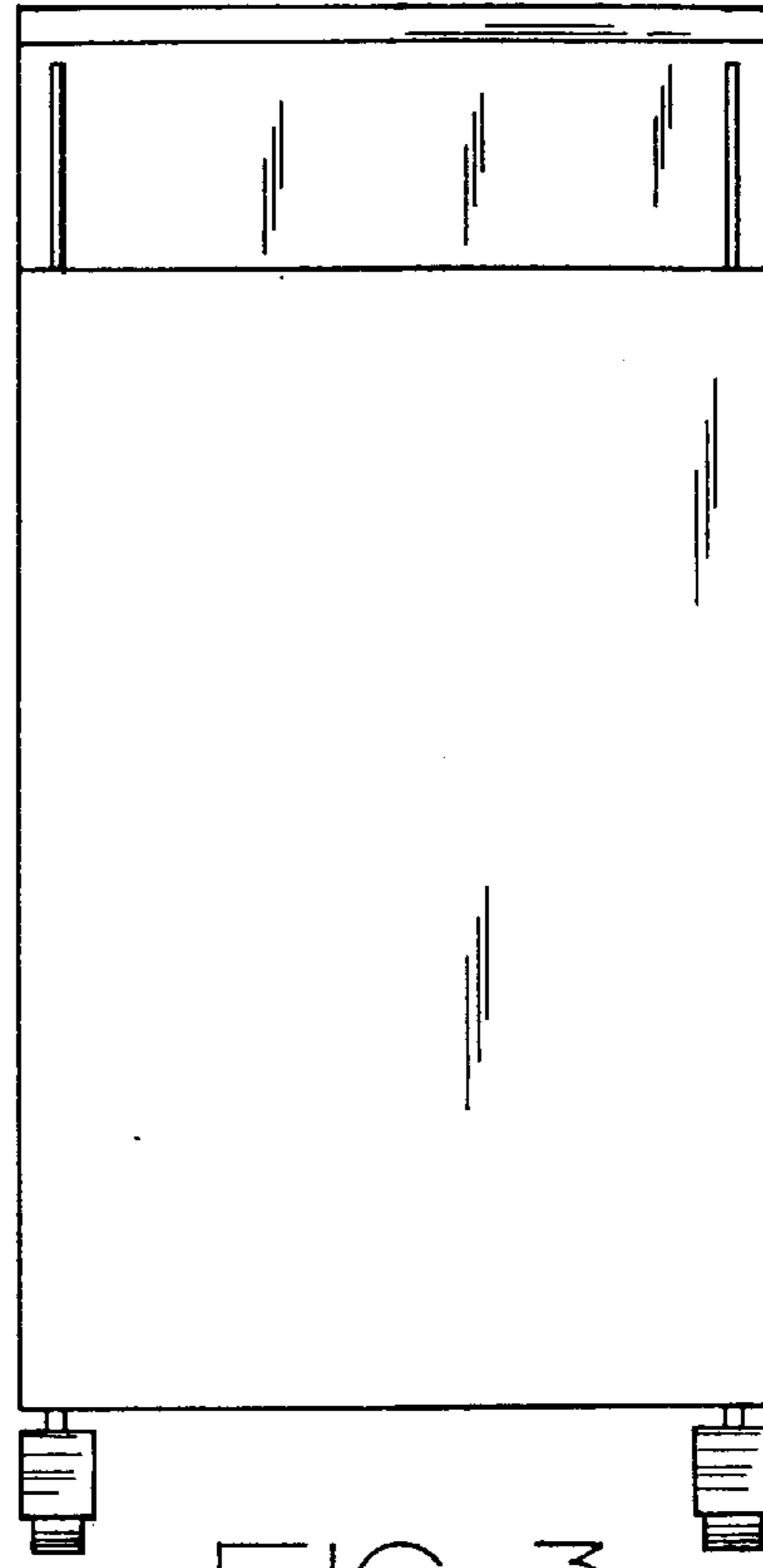


FIG. 3

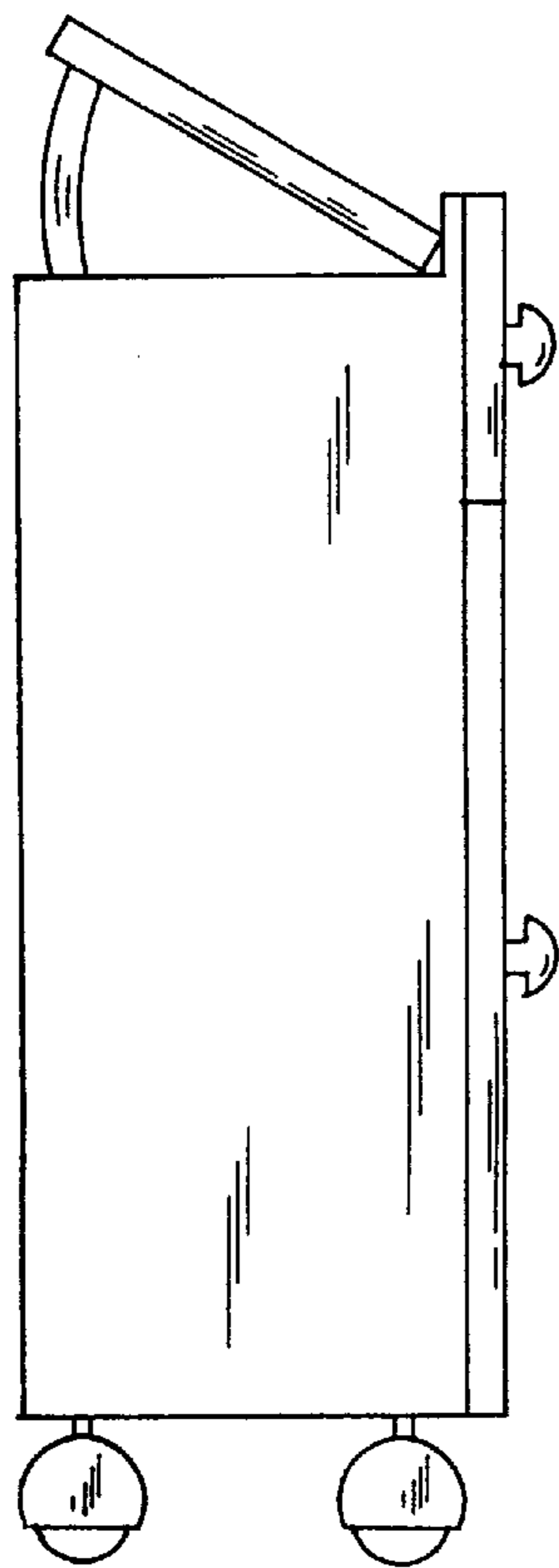


FIG. 4

FIG. 5

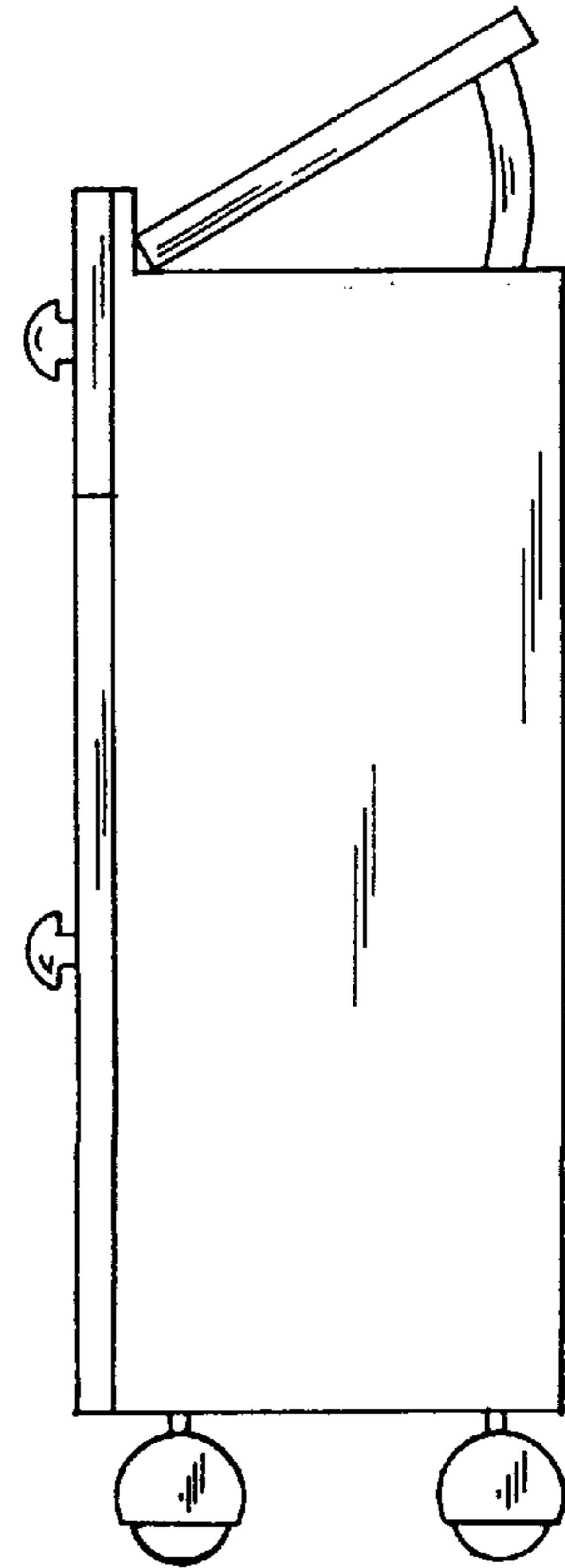


FIG. 6

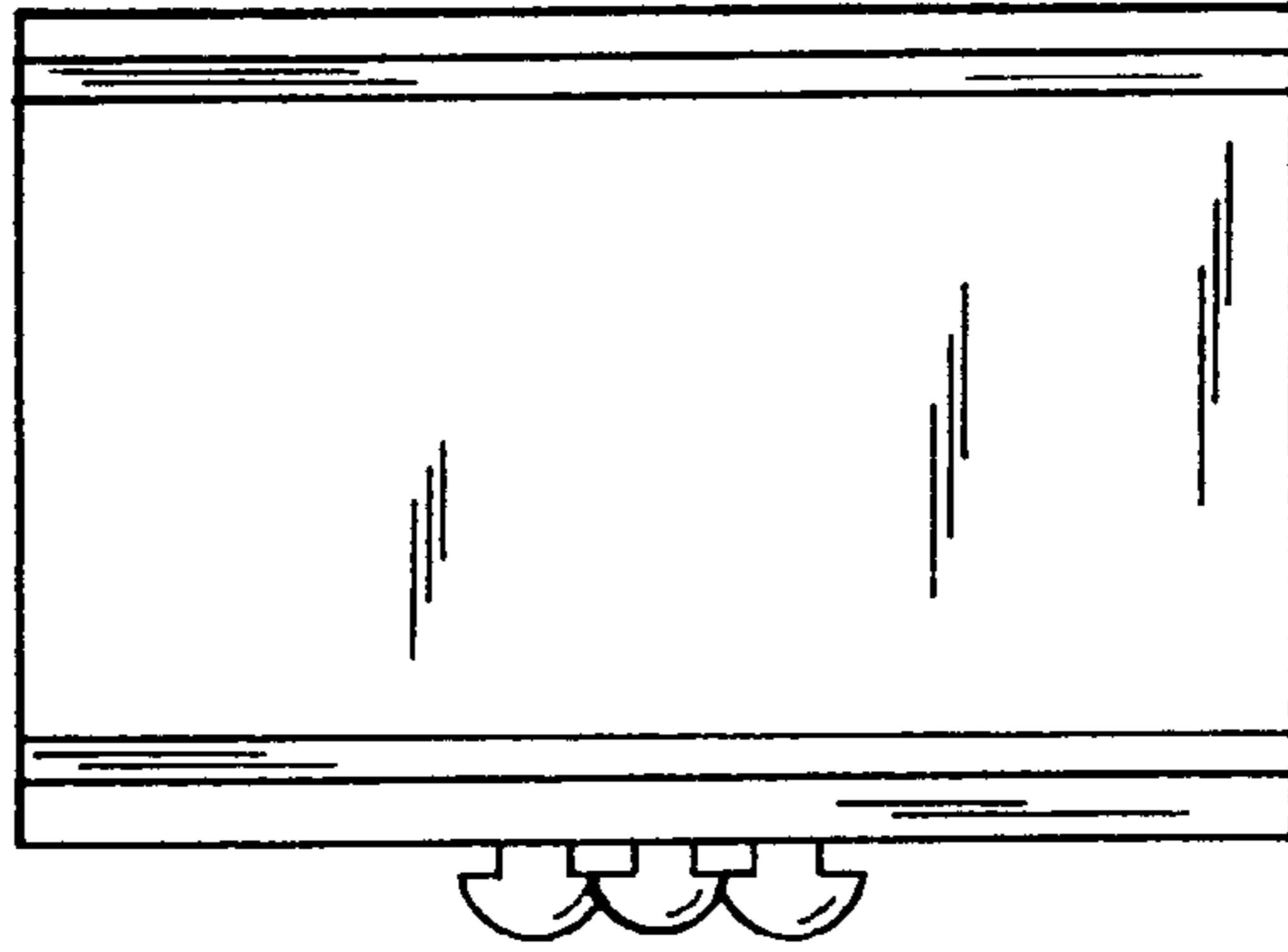


FIG. 7

