



US00D424320S

# United States Patent [19]

[11] Patent Number: Des. 424,320

Klein et al.

[45] Date of Patent: \*\* May 9, 2000

[54] STACKABLE SHOE DISPLAY RACK

[75] Inventors: **Richard B. Klein**, Overland Park;  
**Chris Serslev**, Leawood; **John W. Scott**, Lenexa, all of Kans.

[73] Assignee: **Lynk, Inc.**, Lenexa, Kans.

[\*\*] Term: **14 Years**

[21] Appl. No.: **29/103,779**

[22] Filed: **Apr. 23, 1999**

[51] **LOC (7) Cl.** ..... **06-04**

[52] **U.S. Cl.** ..... **D6/411; D6/465**

[58] **Field of Search** ..... **D6/450, 411, 412, D6/462-465; 211/37, 85.3, 181.1, 182**

2,276,141	3/1942	Atkinson	.....	211/37
2,299,021	10/1942	Hoffman	.....	211/34
2,620,929	12/1952	Sportsman	.....	211/42
2,682,955	7/1954	Moore	.....	211/35
3,468,426	9/1969	Loewy	.....	211/35
3,695,190	10/1972	Bucholz	.....	108/91
3,888,353	6/1975	Leifheit	.....	211/37
3,913,745	10/1975	Weiss	.....	211/34
3,918,670	11/1975	Doherty	.....	248/214
3,974,917	8/1976	Waxmanski	.....	211/36
4,383,722	5/1983	Weber	.....	312/324
4,688,681	8/1987	Bergeron	.....	211/36
5,035,332	7/1991	Stravitz	.....	211/40
5,103,985	4/1992	Davis	.....	211/37
5,172,816	12/1992	Klein et al.	.....	211/37
5,415,297	5/1995	Klein et al.	.....	211/40
5,617,959	4/1997	Klein et al.	.....	211/37
5,695,073	12/1997	Klein et al.	.....	211/35
5,855,279	1/1999	Klein et al.	.....	211/35

[56] **References Cited**

**U.S. PATENT DOCUMENTS**

D. 85,502	11/1931	Wilhelm .	
D. 139,415	11/1944	Brown .	
D. 287,550	1/1987	Tocci	..... D6/328
D. 308,608	6/1990	Arnold	..... D6/411
D. 324,139	2/1992	Frazier	..... D6/411
D. 324,787	3/1992	Evans	..... D6/411
D. 341,500	11/1993	Klein et al.	..... D6/411
D. 381,225	7/1997	Malik	..... D6/513
873,486	12/1907	Bryant .	
953,130	3/1910	Fellows .	
1,733,487	1/1929	Hackley .	
1,769,344	7/1930	Hoffmire .	
1,927,997	9/1933	Weston	..... 211/38
2,008,748	7/1935	Crow	..... 211/34
2,067,095	1/1937	Pease	..... 211/34
2,090,108	8/1937	Cicero	..... 211/35
2,127,029	11/1938	Scholl	..... 211/37
2,152,192	3/1939	Hoffman	..... 211/34
2,238,884	4/1941	Hoffman	..... 211/38

*Primary Examiner*—Doris V. Coles  
*Assistant Examiner*—Linda Brooks  
*Attorney, Agent, or Firm*—Shook, Hardy & Bacon LLP

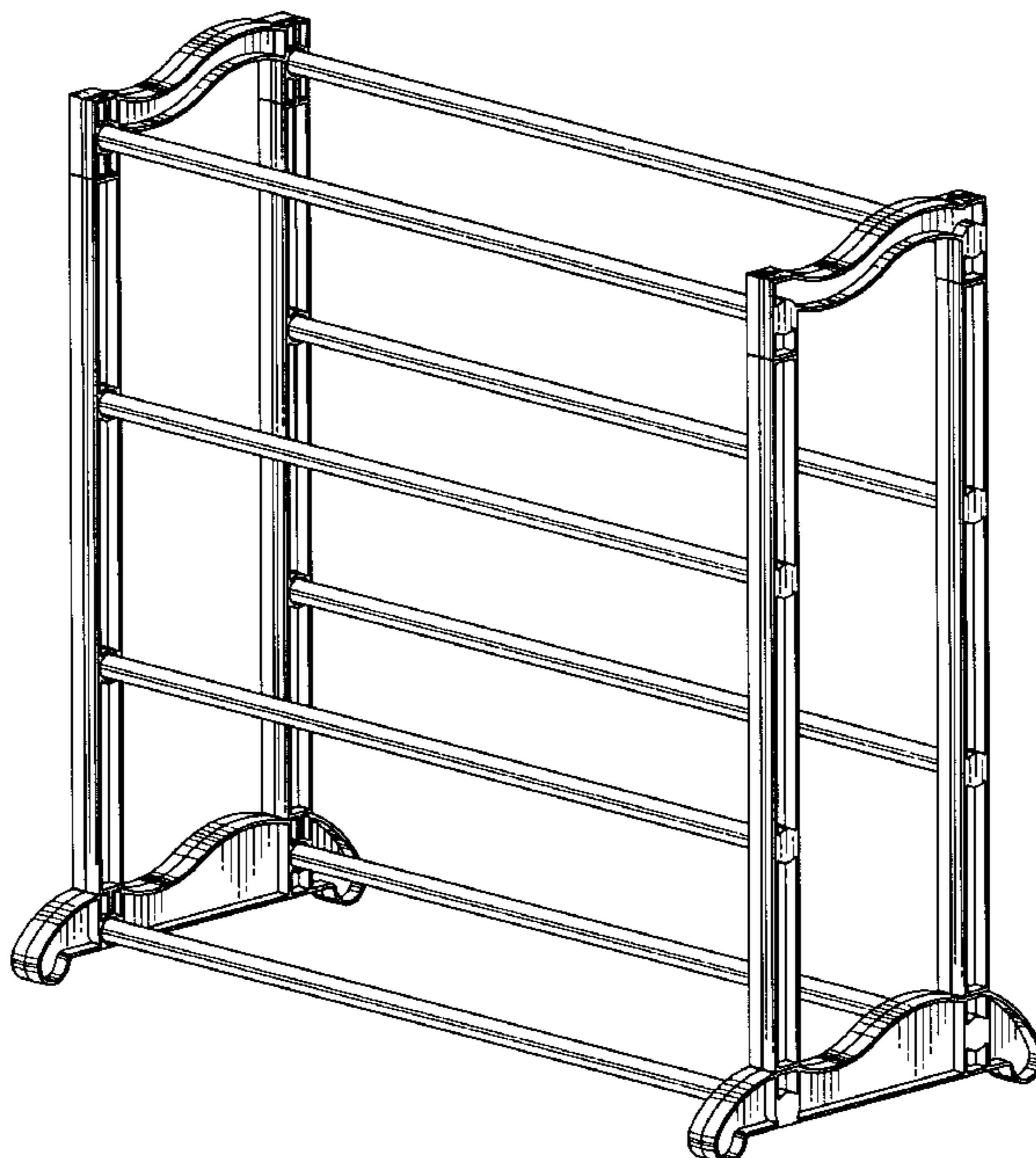
[57] **CLAIM**

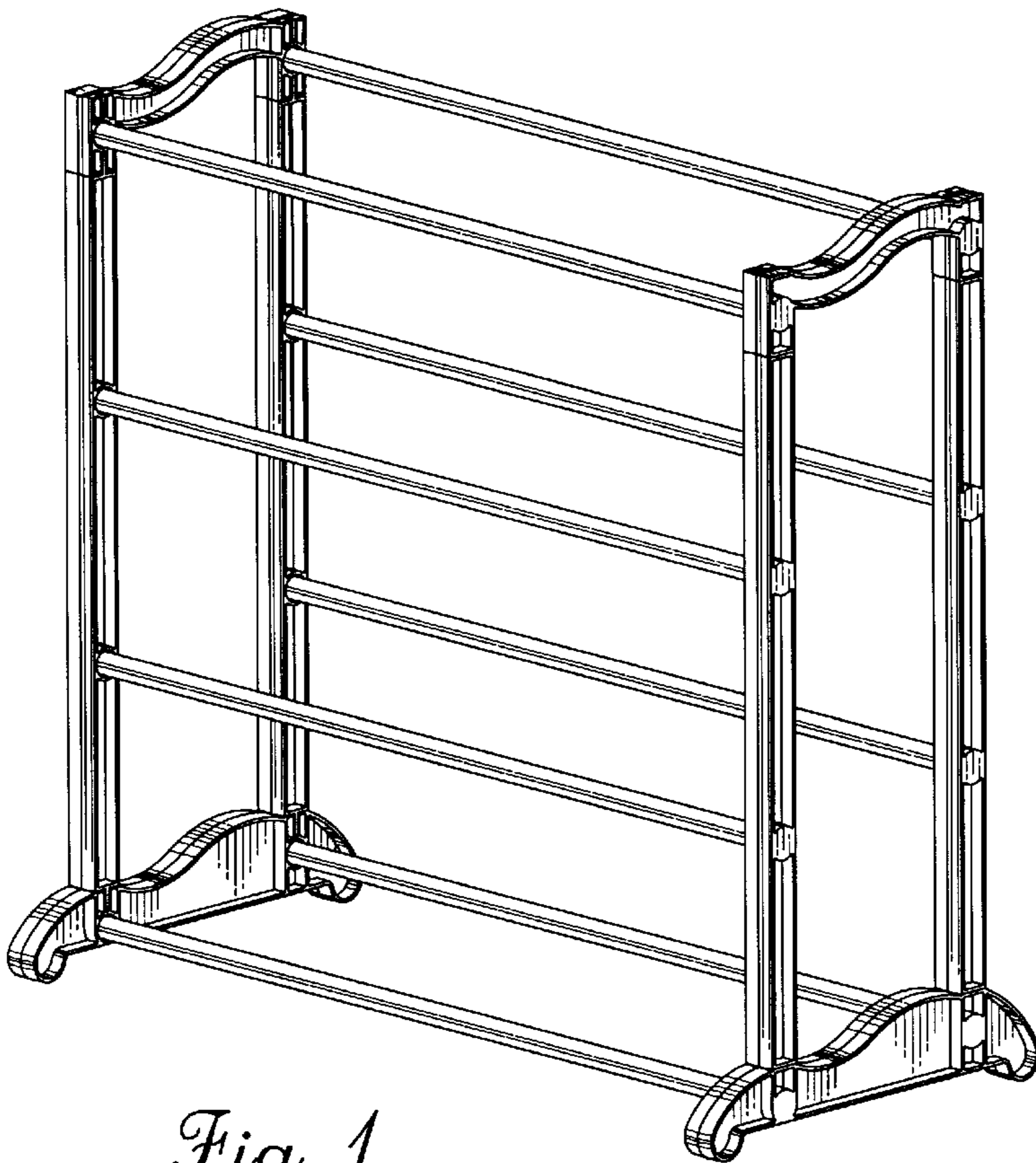
The ornamental design for a stackable shoe display rack, as shown and described.

**DESCRIPTION**

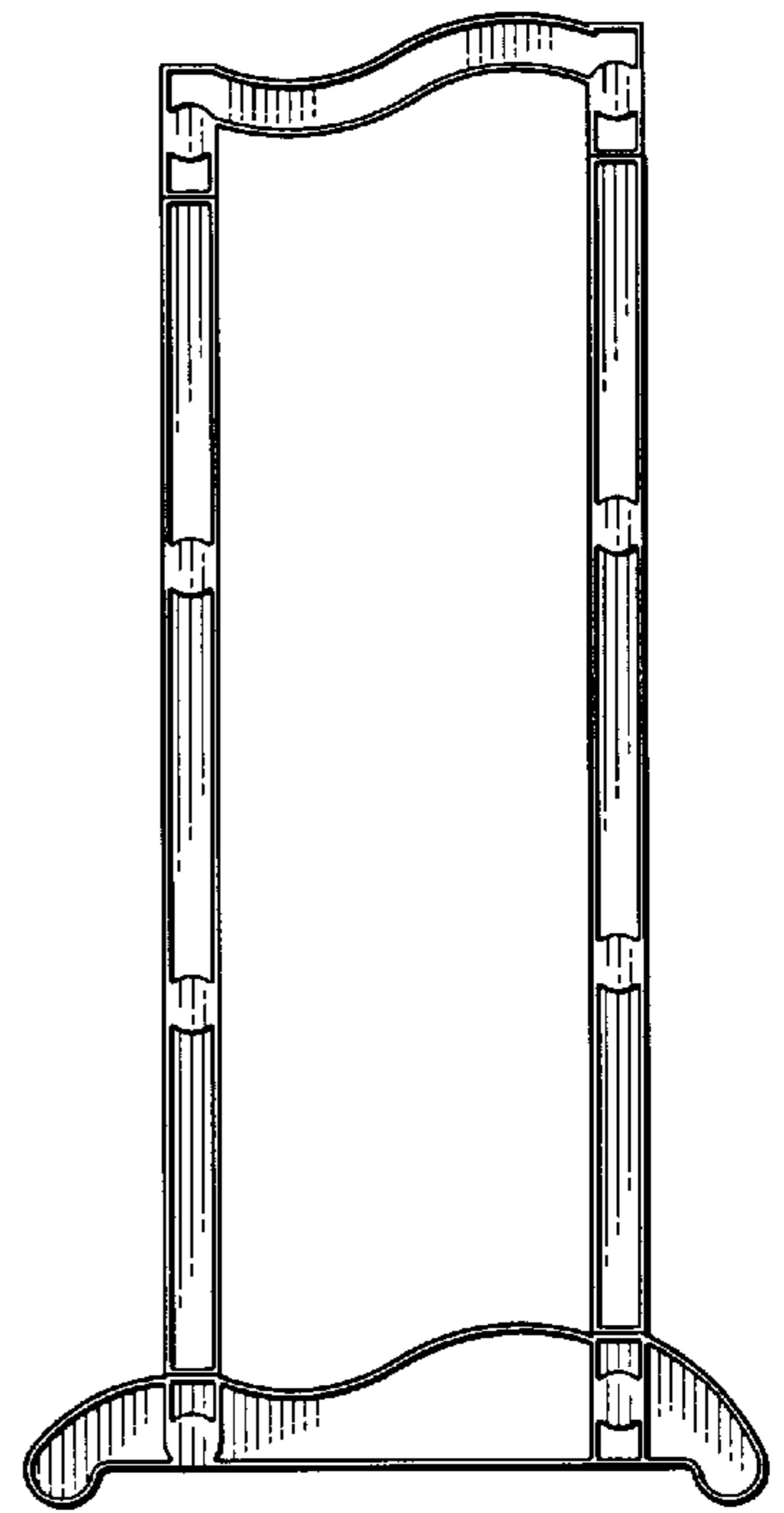
FIG. 1 is a perspective view of a stackable shoe display rack according to the present invention;  
FIG. 2 is a front view thereof;  
FIG. 3 is a right end view of FIG. 2 thereof, the left end view being a mirror image;  
FIG. 4 is a rear view thereof;  
FIG. 5 is a top plan view of FIG. 2 thereof; and,  
FIG. 6 is a bottom plan view of FIG. 2 thereof.

**1 Claim, 2 Drawing Sheets**

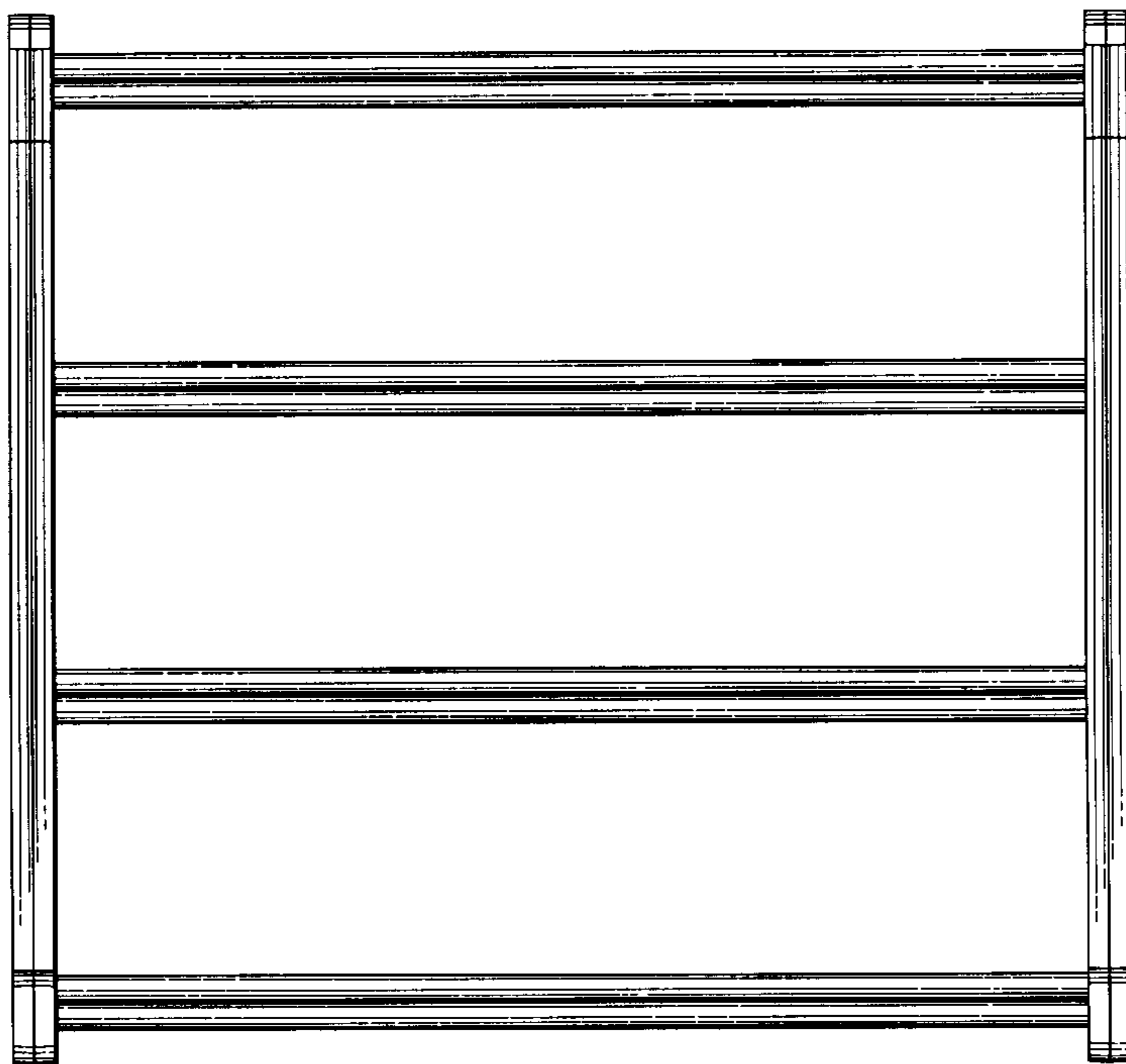




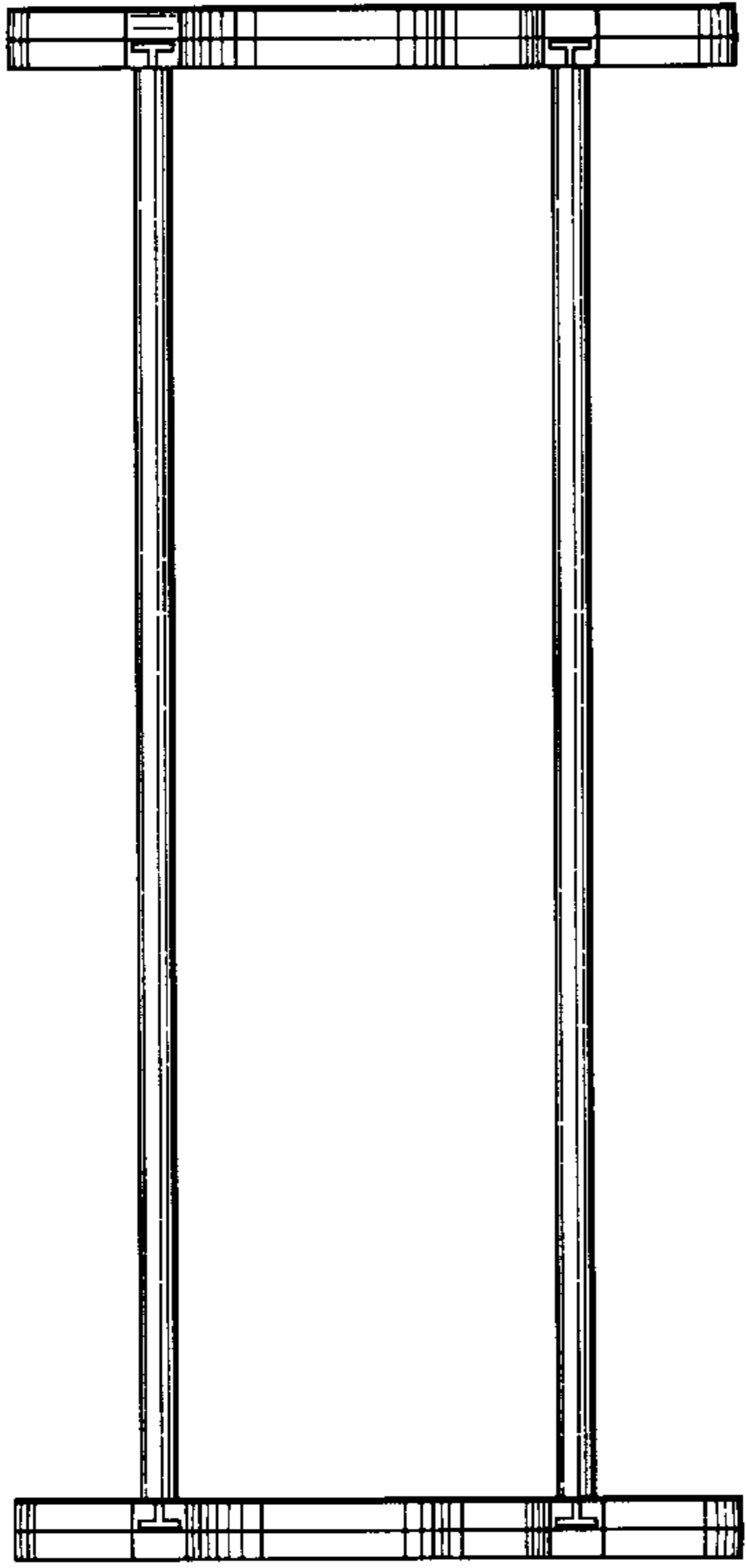
*Fig. 1.*



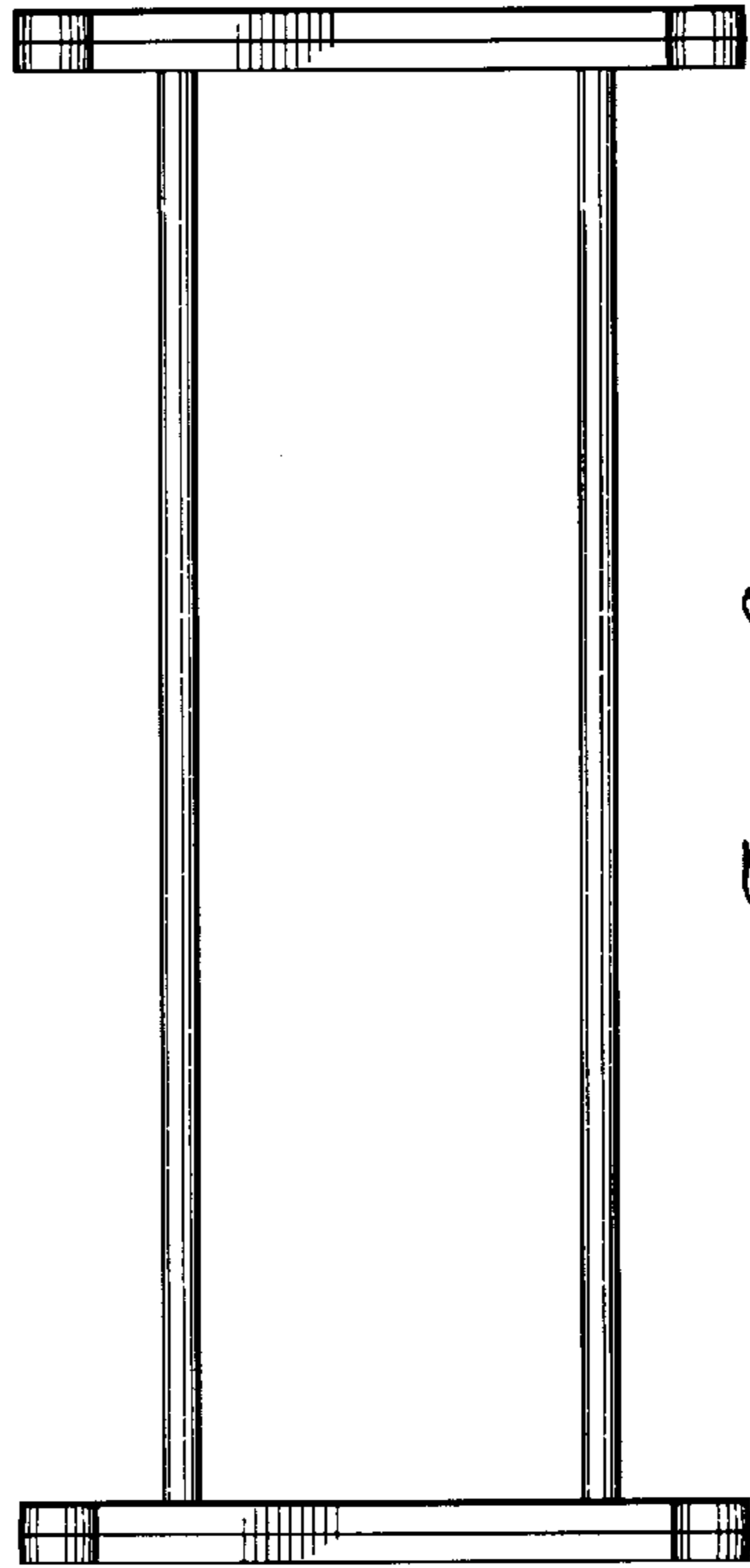
*Fig. 3.*



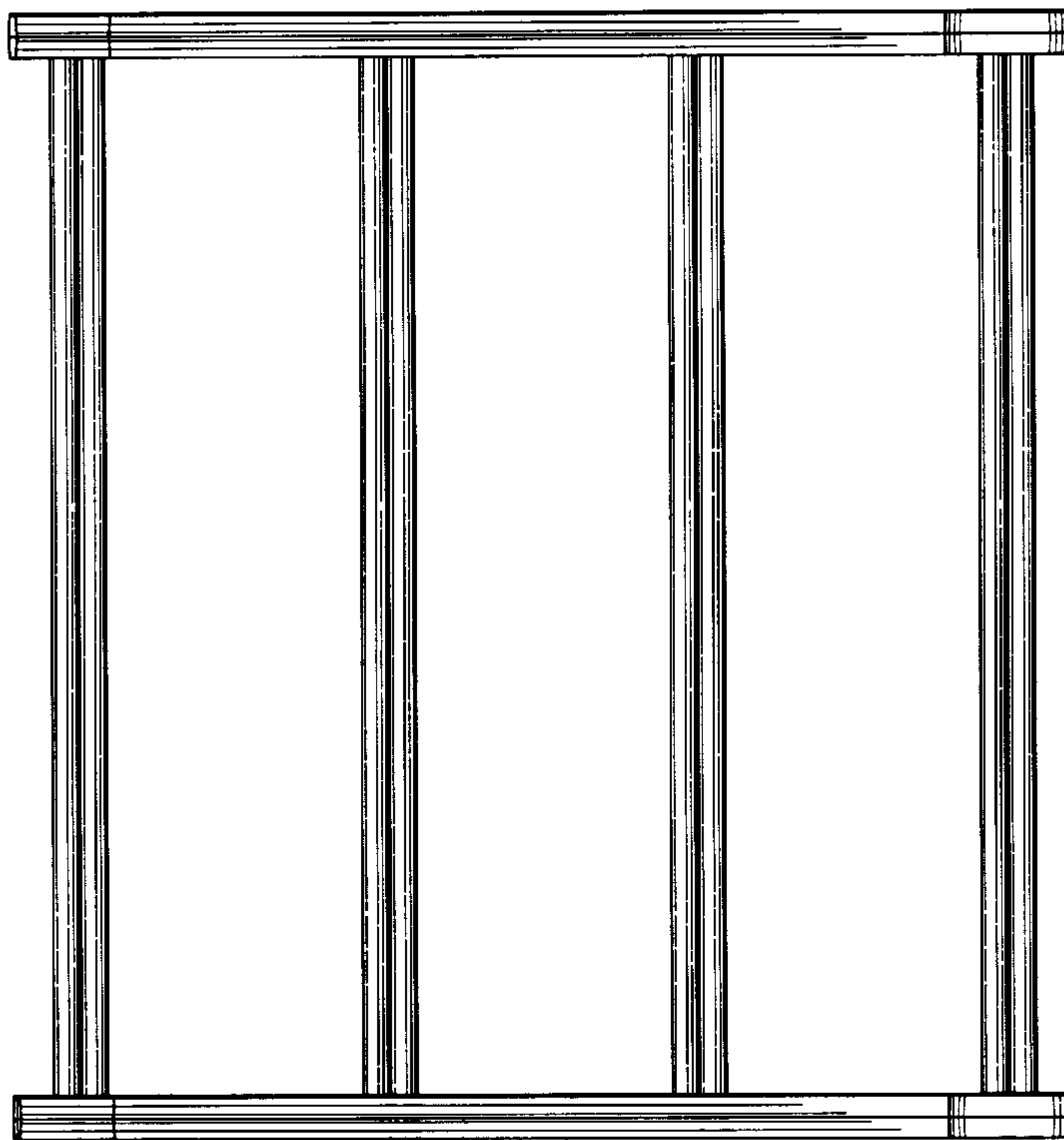
*Fig. 2.*



*Fig. 5.*



*Fig. 6.*



*Fig. 4.*