



US00D424317S

# United States Patent [19]

Natuzzi et al.

[11] Patent Number: Des. 424,317

[45] Date of Patent: \*\* May 9, 2000

[54] SEAT

[75] Inventors: Pasquale Natuzzi; Domenico Abbruzzese, both of Bari, Italy

[73] Assignee: Industrie Natuzzi, SpA, Bari, Italy

[\*\*] Term: 14 Years

[21] Appl. No.: 29/103,874

[22] Filed: Apr. 23, 1999

[51] LOC (7) Cl. .... 06-01

[52] U.S. Cl. .... D6/381; D6/334

[58] Field of Search ..... D6/334, 335, 336, D6/364, 371, 373, 381, 500, 501, 502; 5/12.1; 297/232, 445.1, 446.1

## [56] References Cited

### U.S. PATENT DOCUMENTS

D. 98,545	2/1936	Pumphrey	.....	D6/364
D. 98,546	2/1936	Pumphrey	.....	D6/364
D. 239,580	4/1976	Robertson et al.	.....	D6/371
D. 257,454	10/1980	Nash	.....	D6/364
D. 283,275	4/1986	Culler	.....	D6/371
D. 329,543	9/1992	Shields	.....	D6/334
D. 367,364	2/1996	Lewis	.....	D6/334
D. 368,377	4/1996	Laslo	.....	D6/334
D. 369,478	5/1996	Riboldi	.....	D6/381
D. 373,257	9/1996	Hutton	.....	D6/381
D. 373,911	9/1996	Paus	.....	D6/381
D. 379,269	5/1997	Hutton	.....	D6/334
D. 382,129	8/1997	Lewis	.....	D6/381
D. 388,630	1/1998	Lowman et al.	.....	D6/381
D. 403,167	12/1998	Hutton	.....	D6/334
D. 404,212	1/1999	Hutton	.....	D6/381

### OTHER PUBLICATIONS

Natuzzi Model 139, Oct. 1987, at International Home Furnishings Market in High Point, North Carolina.  
 Natuzzi Model 663, Oct. 1991, at International Home Furnishings Market in High Point, North Carolina.  
 Natuzzi Model 710, Oct. 1989, at International Home Furnishings Market in High Point, North Carolina.  
 Natuzzi Model 891, Oct. 1991, at International Home Furnishings Market in High Point, North Carolina.

Natuzzi Model 916, Apr. 1992, at International Home Furnishings Market in High Point, North Carolina.  
 Natuzzi Model 935, Apr. 1992, at International Home Furnishings Market in High Point, North Carolina.  
 Natuzzi Model 938, Apr. 1992, at International Home Furnishings Market in High Point, North Carolina.  
 Natuzzi Model 947, Sep. 1992, at International Home Furnishings Market in High Point, North Carolina.  
 Natuzzi Model 956, Sep. 1992, at International Home Furnishings Market in High Point, North Carolina.  
 Natuzzi Model 964, Sep. 1992, at International Home Furnishings Market in High Point, North Carolina.  
 Natuzzi Model 985, Oct. 1992, at International Home Furnishings Market in High Point, North Carolina.  
 Natuzzi Model 998, Oct. 1992, at International Home Furnishings Market in High Point, North Carolina.

(List continued on next page.)

Primary Examiner—Gary D. Watson  
Attorney, Agent, or Firm—Alston & Bird LLP

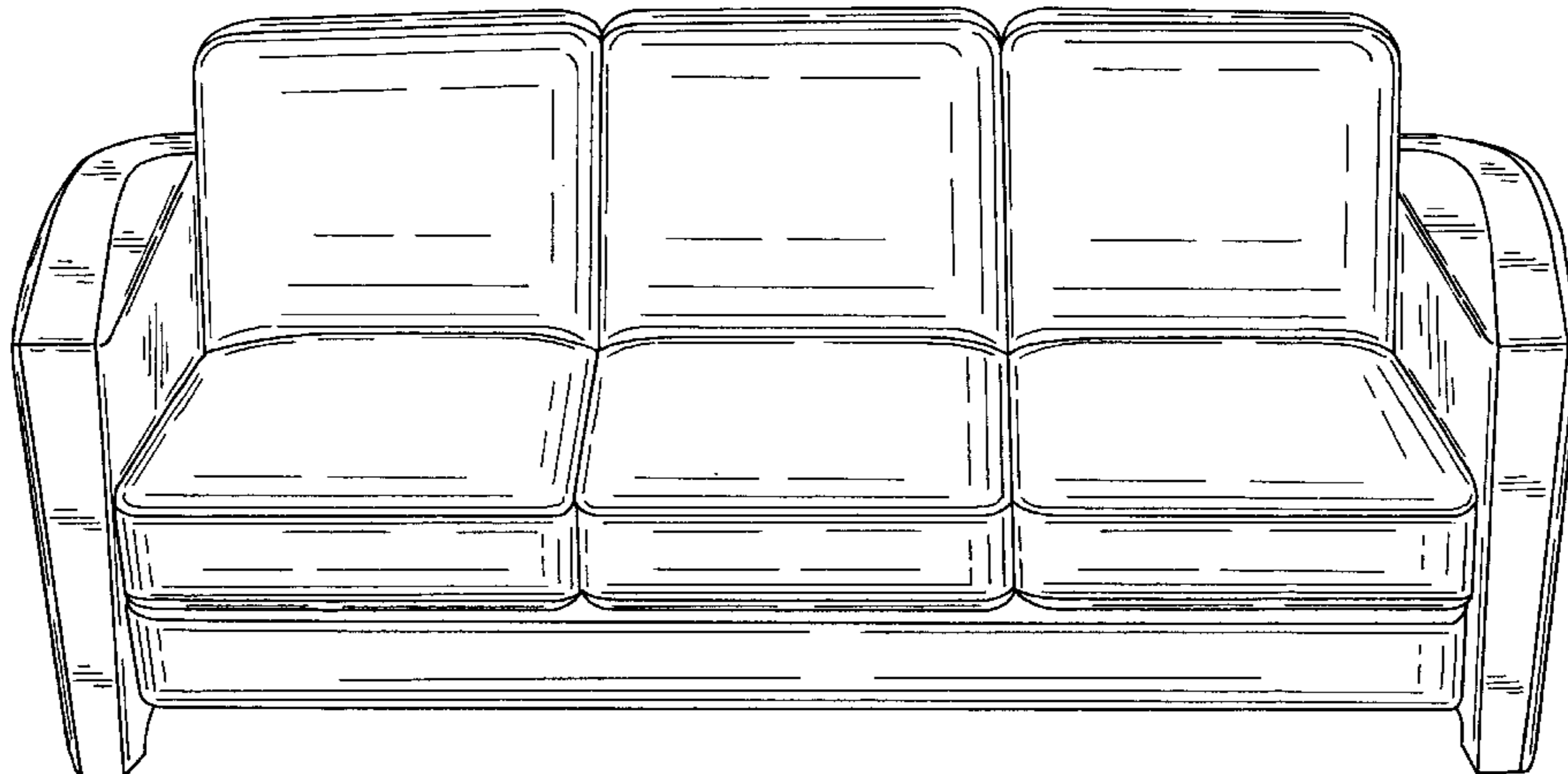
## [57] CLAIM

The ornamental design for a seat, as shown and described.

### DESCRIPTION

FIG. 1 is a front perspective view of a seat showing our new design in the form of a sofa;  
 FIG. 2 is a front elevational view thereof;  
 FIG. 3 is a top plan view thereof;  
 FIG. 4 is a right side elevational view, the left side being a mirror image thereof;  
 FIG. 5 is a rear perspective view thereof;  
 FIG. 6 is a front perspective view of a seat showing our new design in the form of a loveseat; and,  
 FIG. 7 is a front perspective view of a seat showing our new design in the form of a chair.  
 The broken lines shown herein are for illustrative purposes only and form no part of the claimed design.  
 The rear views of FIGS. 6 and 7 are like FIG. 5, the difference being a matter of length.  
 The end views of FIGS. 6 and 7 are like FIG. 4.  
 FIG. 1 has been shown on an enlarged scale with respect to the other views.

1 Claim, 3 Drawing Sheets



OTHER PUBLICATIONS

Natuzzi Model 1016, Mar. 1993, at International Home Furnishings Market in High Point, North Carolina.  
Natuzzi Model 1124, Jan. 1994, at International Home Furnishings Market in High Point, North Carolina.  
Natuzzi Model 1170, Apr. 1994, at International Home Furnishings Market in High Point, North Carolina.  
Natuzzi Model 1180, Apr. 1994, at International Home Furnishings Market in High Point, North Carolina.  
Natuzzi Model 1215, Oct. 1994, at International Home Furnishings Market in High Point, North Carolina.  
Natuzzi Model 1217, Oct. 1994, at International Home Furnishings Market in High Point, North Carolina.  
Natuzzi Model 1228, Oct. 1994, at International Home Furnishings Market in High Point, North Carolina.  
Natuzzi Model 1275, Mar. 1995, at International Home Furnishings Market in High Point, North Carolina.  
Natuzzi Model 1312, Apr. 1995, at International Home Furnishings Market in High Point, North Carolina.

Natuzzi Model 1343, Sep. 1995, at International Home Furnishings Market in High Point, North Carolina.

Natuzzi Model 1414, Mar. 1996, at International Home Furnishings Market in High Point, North Carolina.

Natuzzi Model 1599, Oct. 1997, at International Home Furnishings Market in High Point, North Carolina.

Natuzzi Model 1627, Oct. 1997, at International Home Furnishings Market in High Point, North Carolina.

Natuzzi Model 1635, Oct. 1997, at International Home Furnishings Market in High Point, North Carolina.

Natuzzi Model 1637, Oct. 1997, at International Home Furnishings Market in High Point, North Carolina.

Natuzzi Model 1642, Oct. 1997, at International Home Furnishings Market in High Point, North Carolina.

Natuzzi Model 1667, Mar. 1998, at International Home Furnishings Market in High Point, North Carolina.



FIG. 1.



FIG. 2.

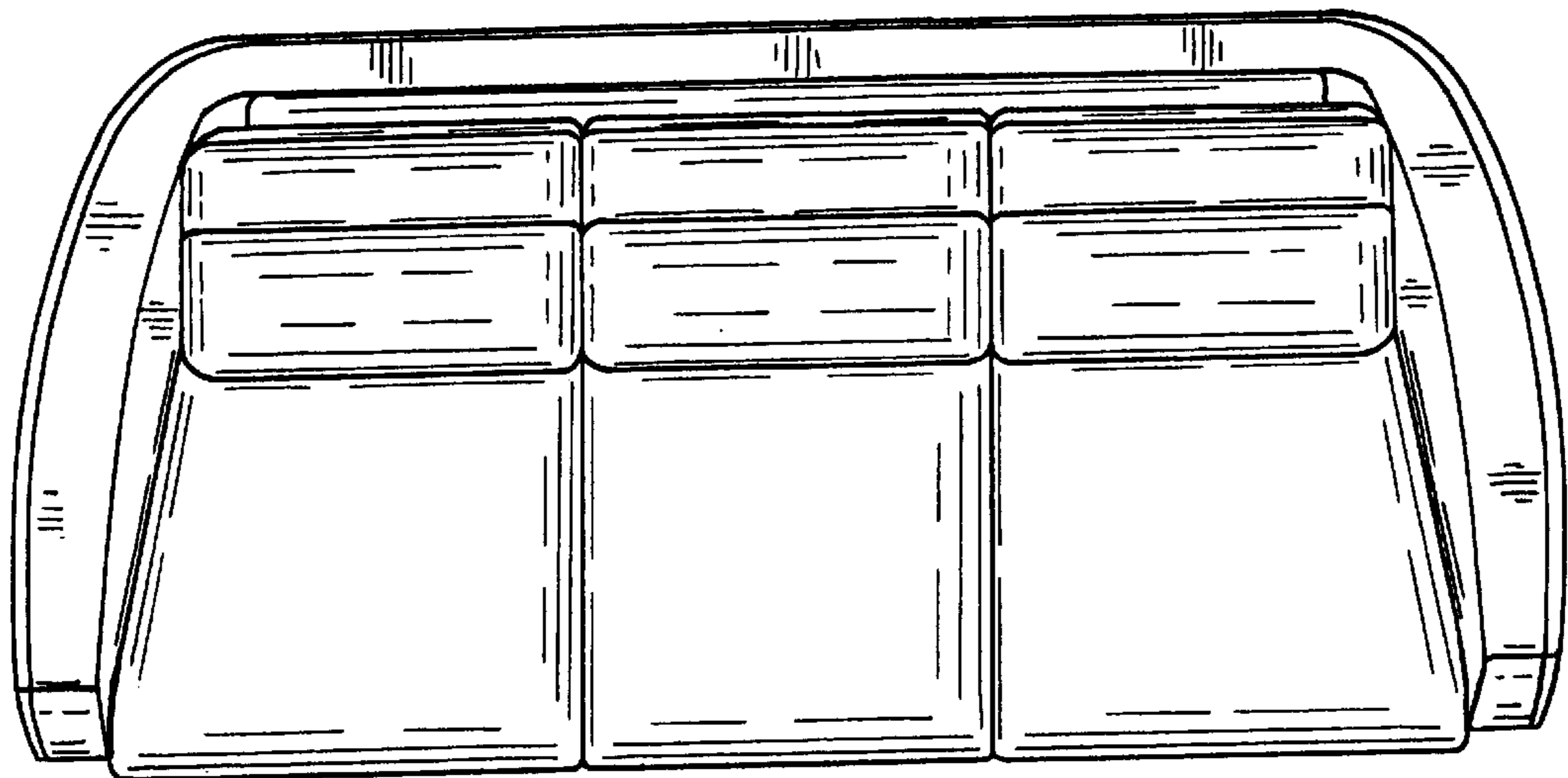


FIG. 3.

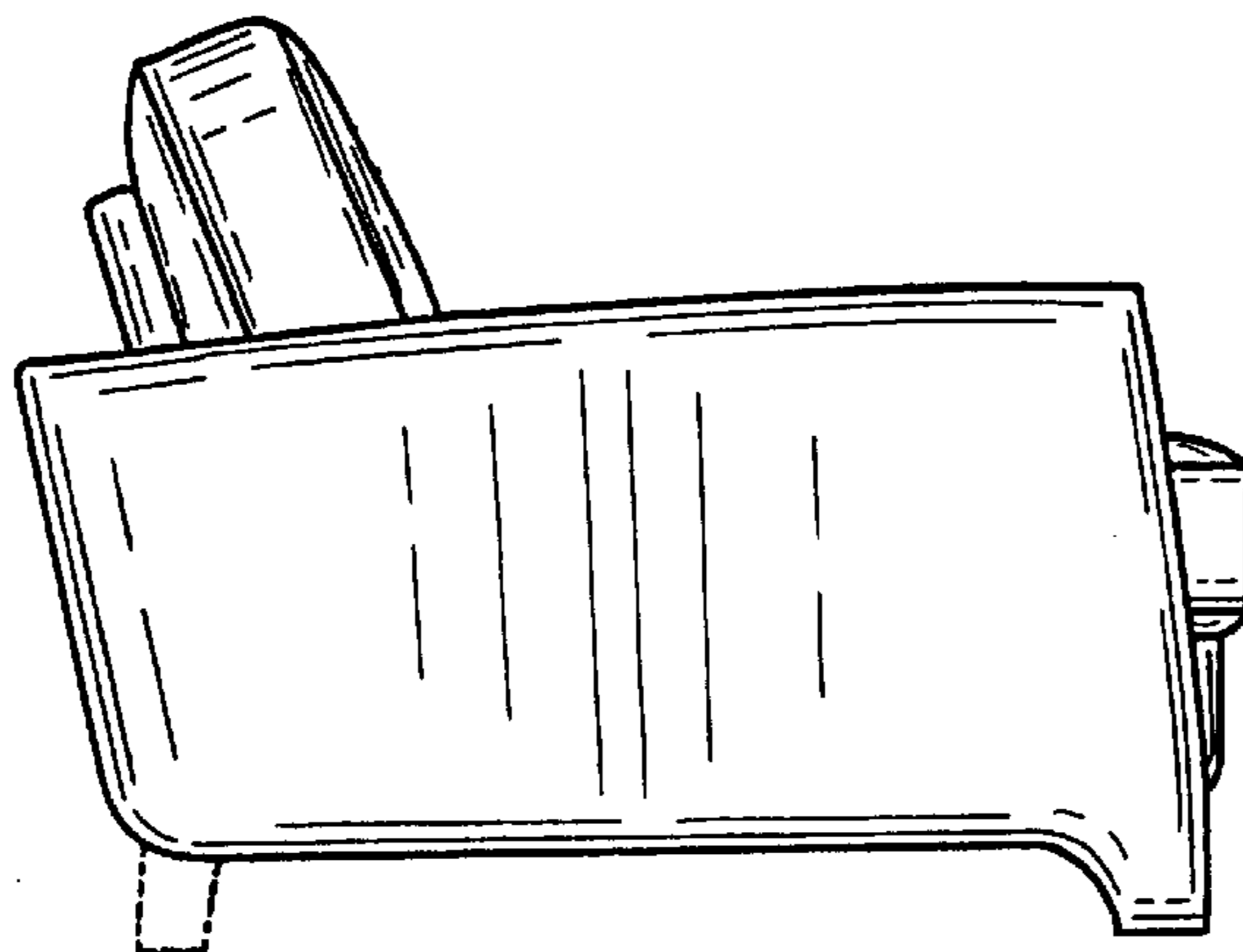


FIG. 4.

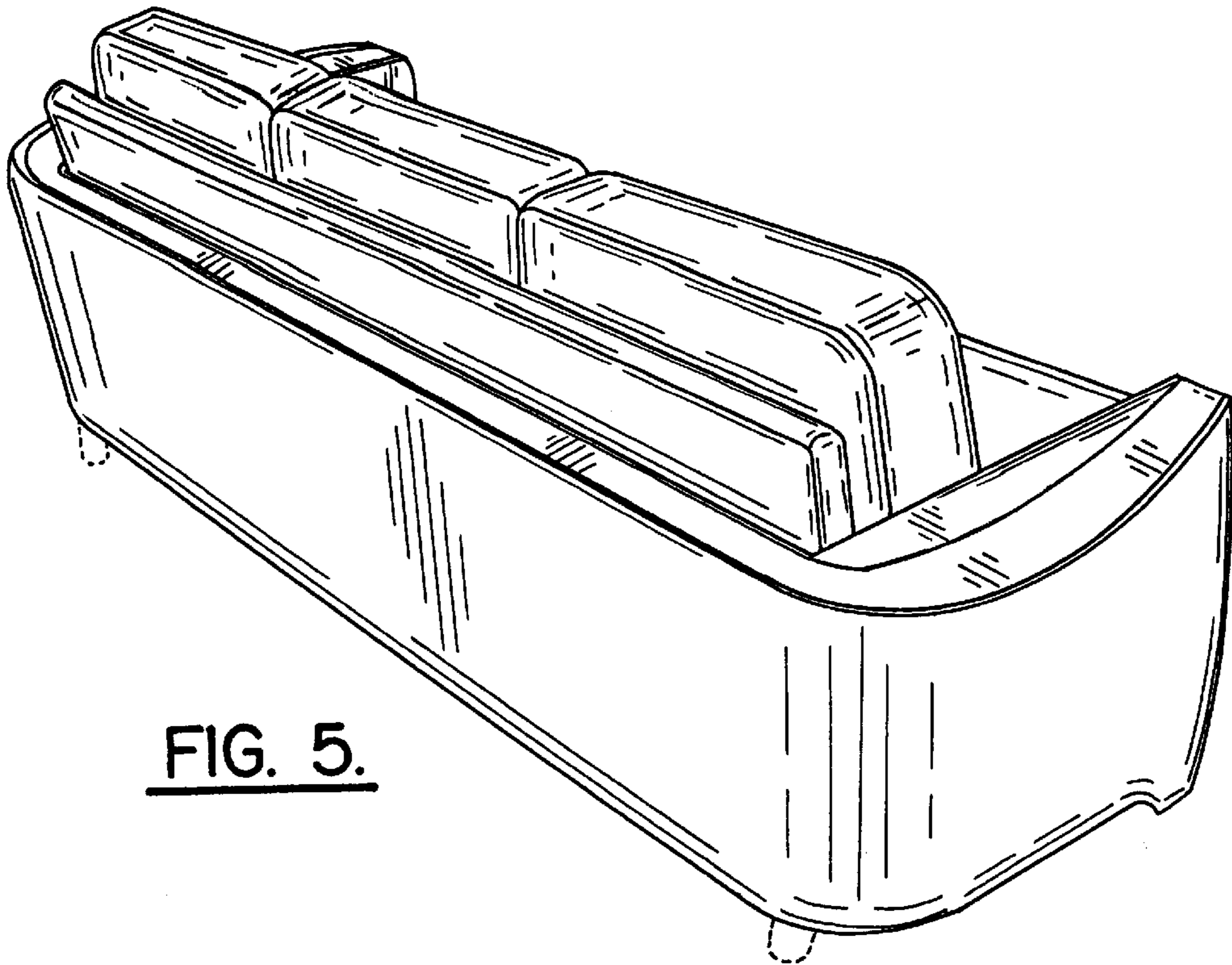


FIG. 5.

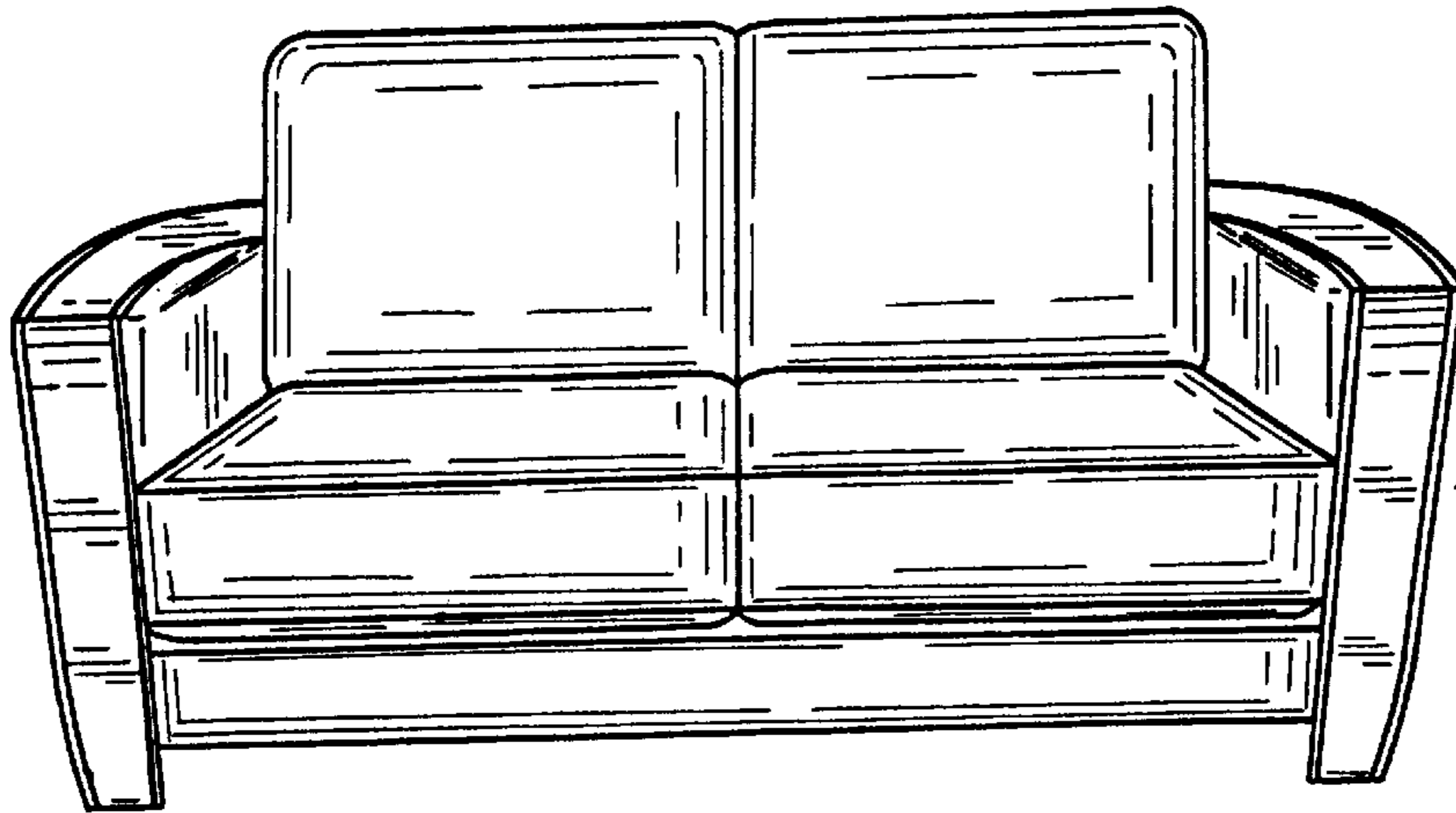


FIG. 6.

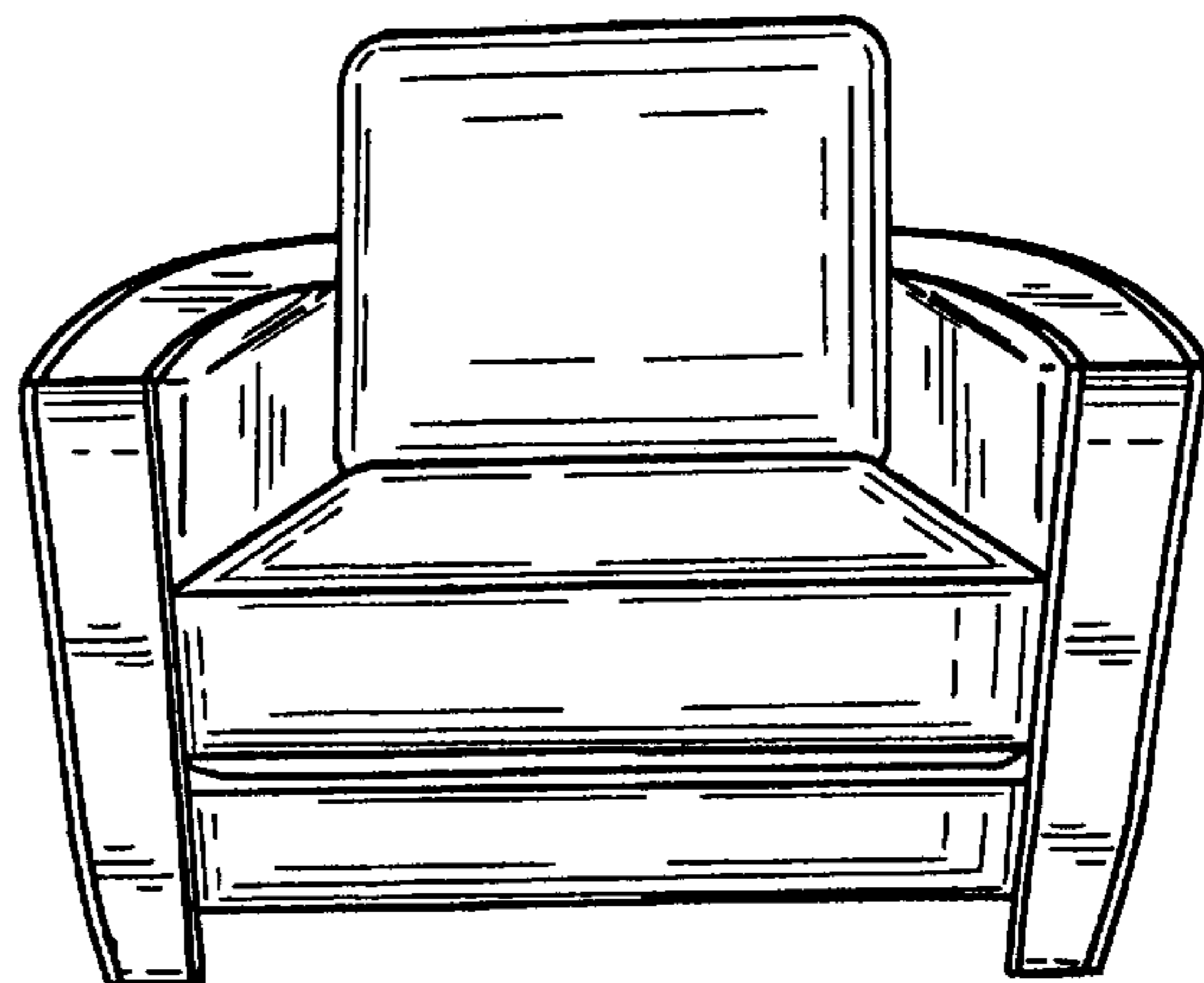


FIG. 7.