



US00D424311S

# United States Patent [19]

Geis et al.

[11] Patent Number: **Des. 424,311**

[45] Date of Patent: **\*\* May 9, 2000**

[54] **INFANT CAR SEAT BASE**

[75] Inventors: **Mark Geis**, Tipp City; **Joe Kelly**, Mason; **Herman Shie**, Sidney; **Richard Scarpa**, Springboro, all of Ohio

[73] Assignee: **Evenflo Company, Inc.**, Vandalia, Ohio

[\*\*] Term: **14 Years**

[21] Appl. No.: **29/095,364**

[22] Filed: **Oct. 21, 1998**

[51] **LOC (7) Cl.** ..... **06-01**

[52] **U.S. Cl.** ..... **D6/333**

[58] **Field of Search** ..... D6/333, 334, 335, D6/356, 390, 391, 491, 500, 501, 502; 297/130, 183.1, 183.3, 229, 250.1, 256.16, 256.17, 467

## [56] References Cited

### U.S. PATENT DOCUMENTS

D. 277,811	3/1985	Moore	.....	D3/31
D. 294,310	2/1988	Wise et al.	.....	D6/333
D. 311,822	11/1990	Meeker	.....	D6/333
D. 357,800	5/1995	Roan et al.	.....	D3/214
D. 365,925	1/1996	Roan	.....	D3/214
D. 373,028	8/1996	Kain	.....	D6/333
D. 376,919	12/1996	Sedlack	.....	D6/333
D. 385,105	10/1997	Fair	.....	D3/214
3,248,125	4/1966	Gill	.....	280/47.4
3,989,173	11/1976	Gebhard	.....	224/6
4,234,229	11/1980	Arnold	.....	297/467
4,492,326	1/1985	Storm	.....	224/160
4,733,909	3/1988	Single, II et al.	.....	297/256.16

4,736,959	4/1988	Van Steenburg	.....	280/30
4,858,947	8/1989	Yee et al.	.....	280/643
4,943,113	7/1990	Meeker	.....	297/250.1
5,240,265	8/1993	Huang	.....	280/47.4
5,246,152	9/1993	Dotseth	.....	224/159
5,277,472	1/1994	Freese et al.	.....	297/130
5,522,528	6/1996	Petricola	.....	224/160
5,609,279	3/1997	O'Shea	.....	224/160
5,632,425	5/1997	Hull	.....	224/160
5,660,430	8/1997	Clarke	.....	297/130
5,669,625	9/1997	Cabagnero	.....	280/647
5,678,739	10/1997	Darling et al.	.....	224/160
5,687,985	11/1997	Sack	.....	280/650
5,690,258	11/1997	Kataoka	.....	224/160
5,692,655	12/1997	Fair et al.	.....	224/160
5,890,762	4/1999	Yoshida	.....	297/130

*Primary Examiner*—Doris V. Coles  
*Assistant Examiner*—Mimosa De  
*Attorney, Agent, or Firm*—Thompson Hine & Flory LLP

## [57] CLAIM

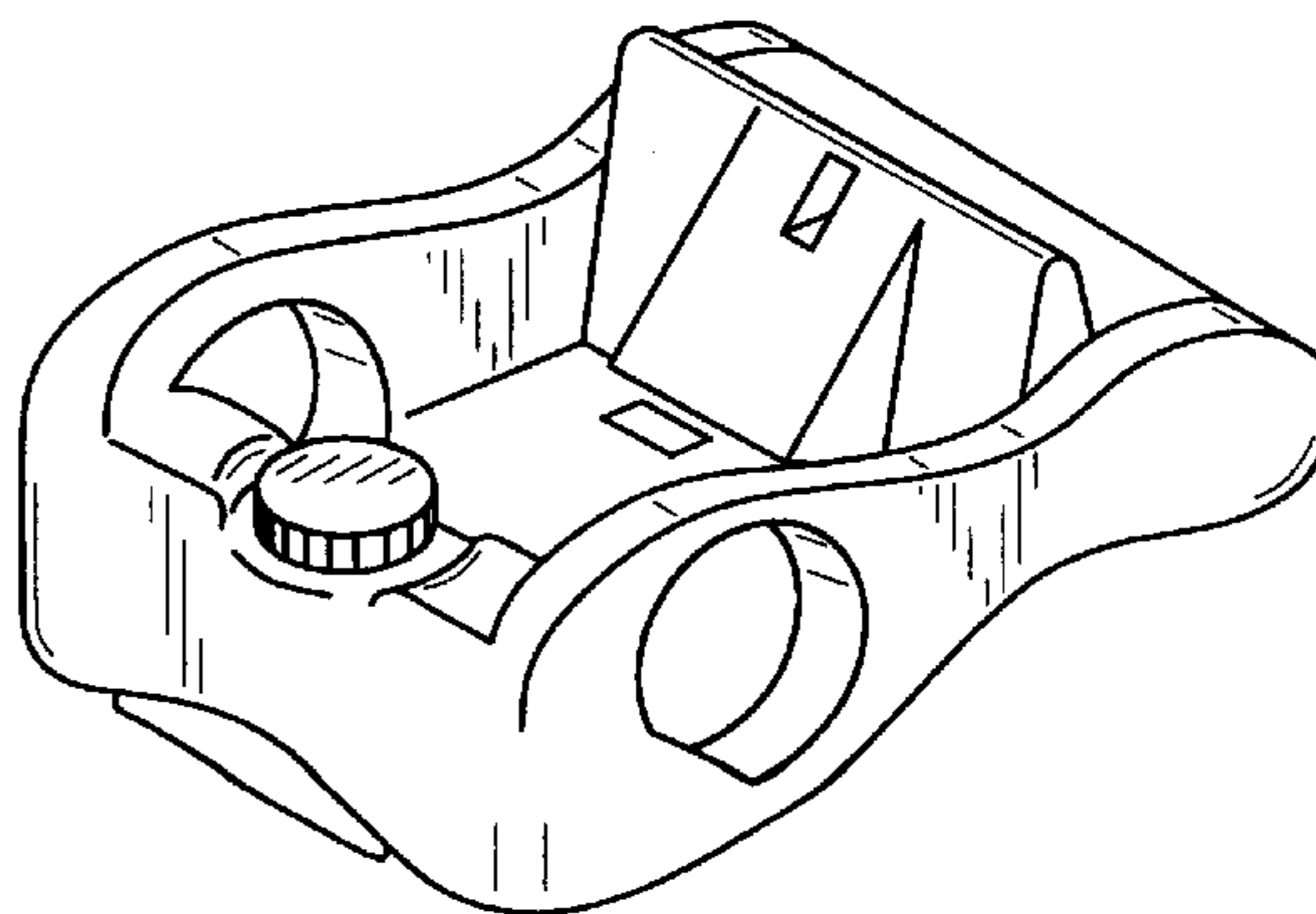
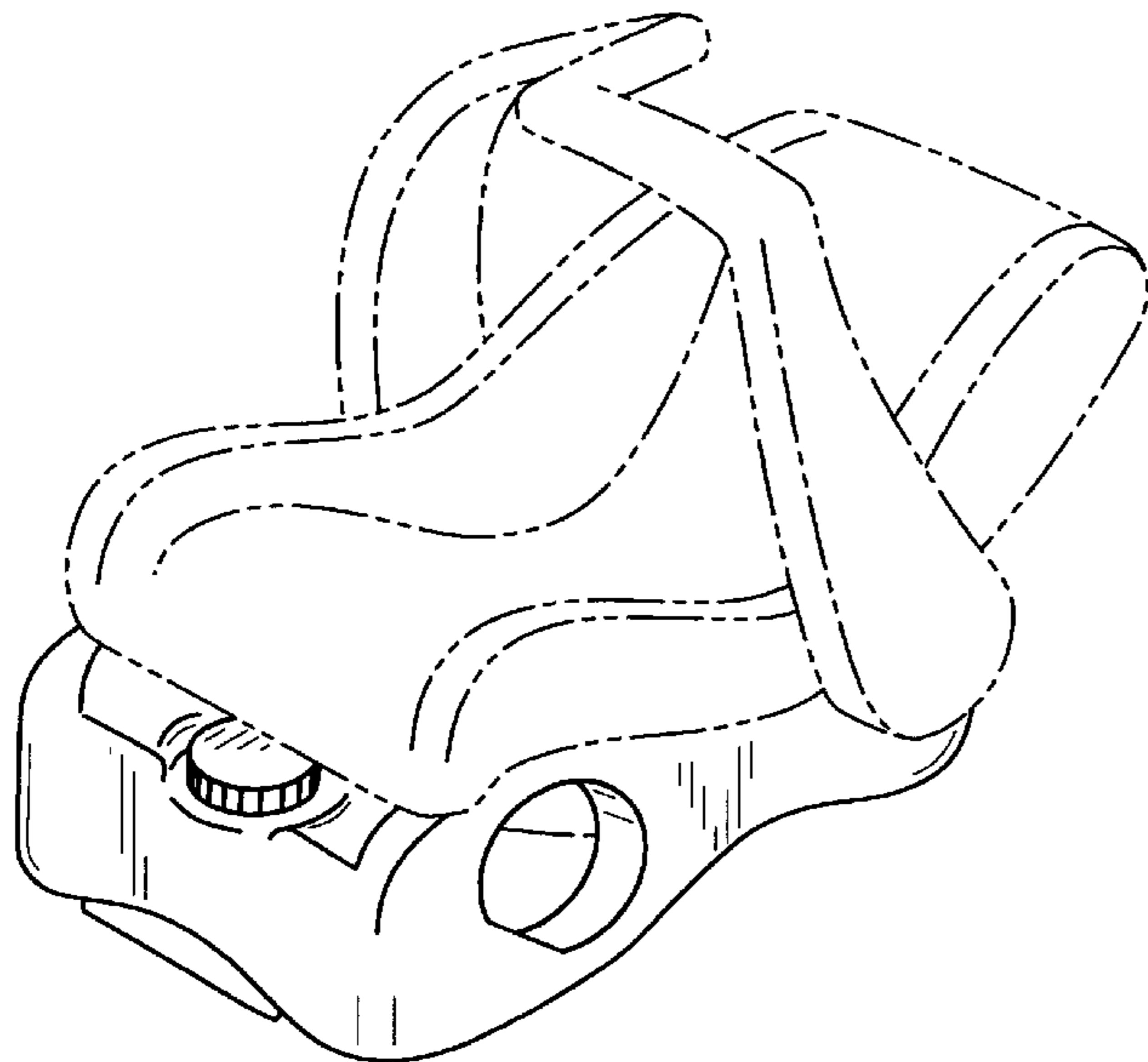
The ornamental design of the infant car seat base, as shown and described.

## DESCRIPTION

FIG. 1 is a perspective view of the infant car seat base showing the design of our invention with an infant car seat positioned on the base and shown in broken lines. The broken line showing of the infant car seat and handle is for illustrative purposes only and forms no part of the claimed design.

FIG. 2 is a perspective view thereof;  
FIG. 3 is a side elevation view thereof; and,  
FIG. 4 is a front elevation view thereof.

**1 Claim, 2 Drawing Sheets**



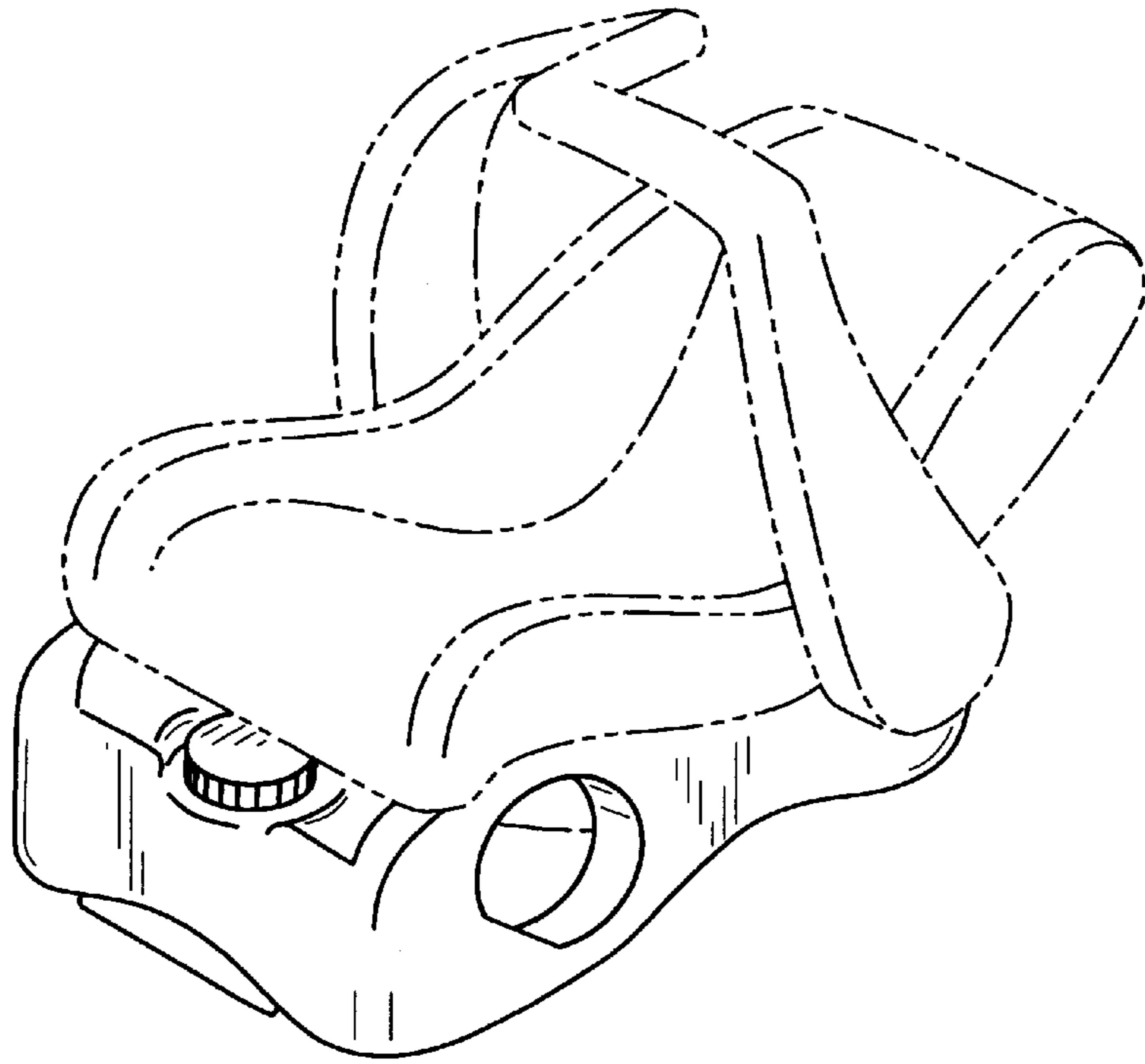


FIG. 1

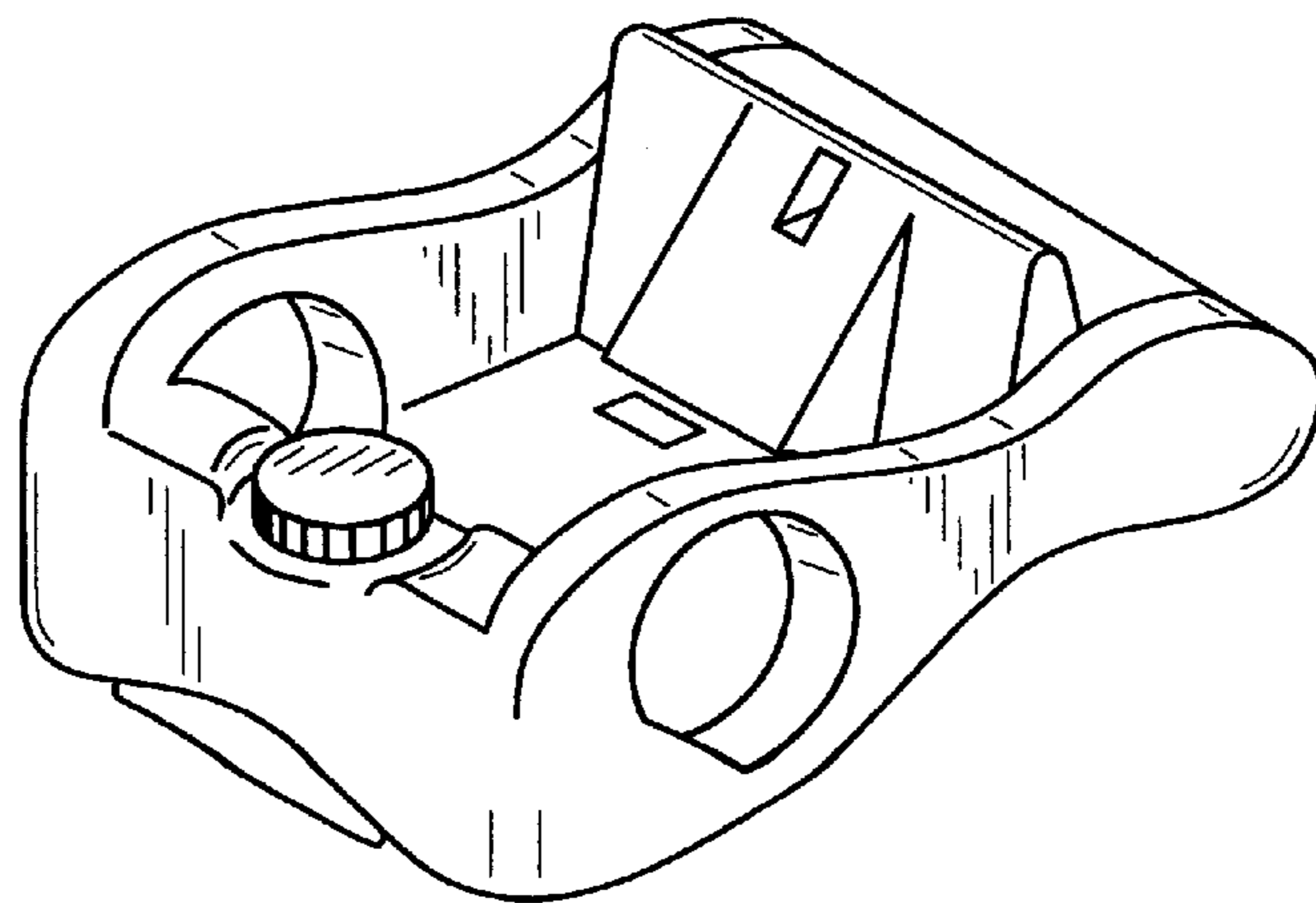


FIG. 2

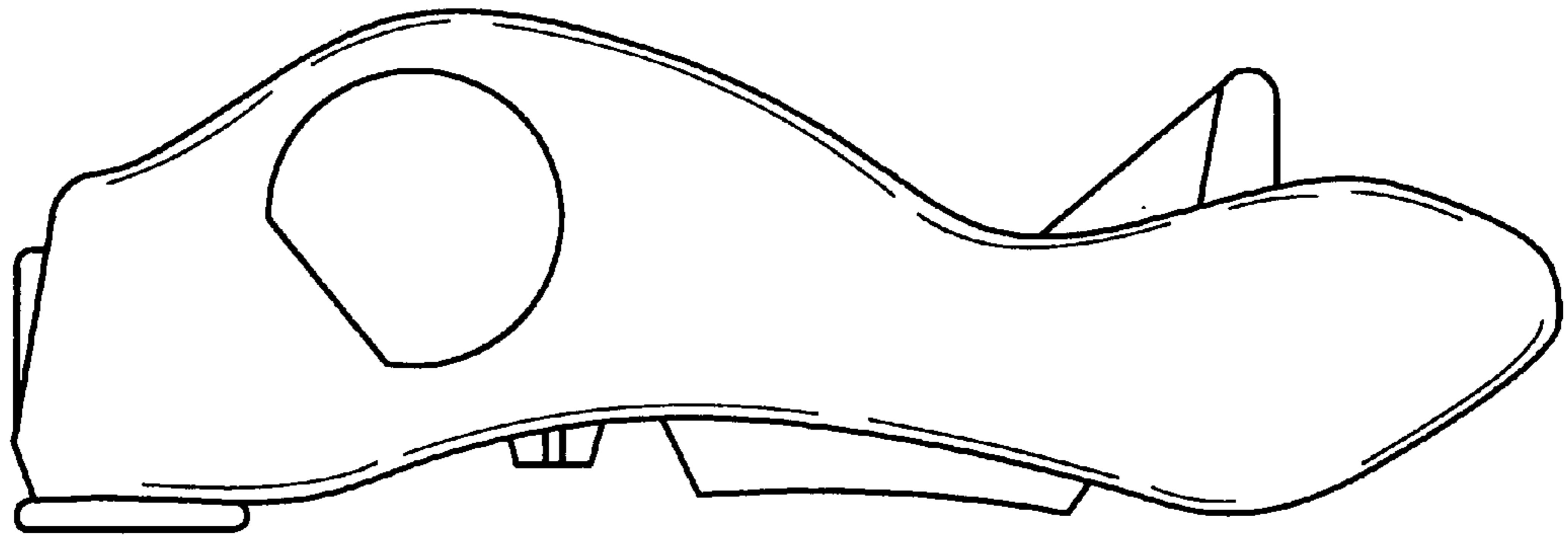


FIG. 3

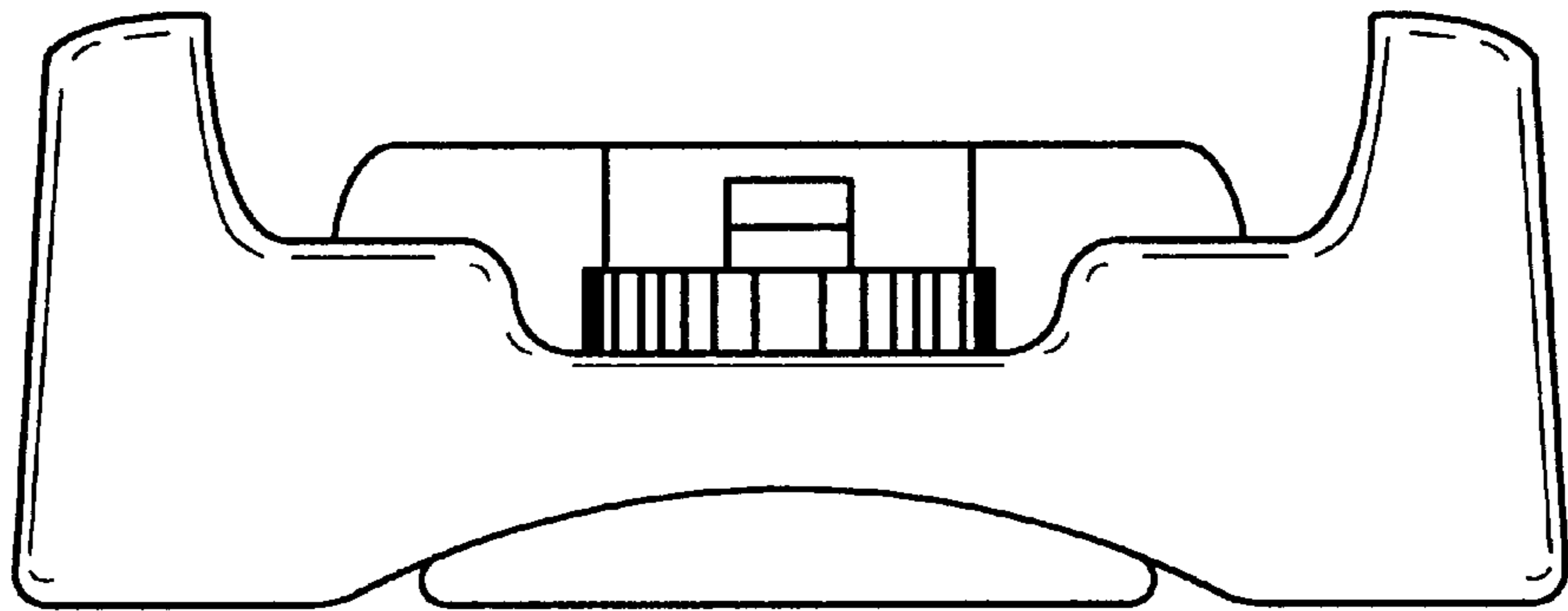


FIG. 4