



US00D424310S

United States Patent [19] Yip

[11] Patent Number: Des. 424,310

[45] Date of Patent: ** May 9, 2000

[54] COMBINED HANGER AND HOOK

DESCRIPTION

[76] Inventor: **Chung Lun Yip**, 3rd Floor, Blocks A & C, King Yip Factory Building, No. 59 King Yip Street, Kwun Tong, The Hong Kong Special Administrative Region of the People's Republic of China

[**] Term: **14 Years**

[21] Appl. No.: **29/106,102**

[22] Filed: **Jun. 9, 1999**

[30] Foreign Application Priority Data

Dec. 31, 1998 [CN] China 98329598

[51] LOC (7) Cl. **06-08**

[52] U.S. Cl. **D6/317; D6/319; D8/367**

[58] Field of Search D6/315, 317-319; D8/367; 223/85, 88, 92; 211/113, 119; 248/304, 305, 307

[56] References Cited

U.S. PATENT DOCUMENTS

D. 407,907	4/1999	Krempa et al.	D6/317
D. 408,156	4/1999	Eiley et al.	D6/319
818,421	4/1906	Denning .	
1,240,986	9/1917	Laliberte .	
1,386,775	8/1921	Fulford .	
2,460,997	2/1949	Myers .	
2,742,208	4/1956	Kraft .	
4,678,195	7/1987	Trubiano .	

Primary Examiner—B. J. Bullock
Attorney, Agent, or Firm—Ladas & Parry

[57] CLAIM

I claim the ornamental design for a combined hanger and hook, as shown.

FIG. 1 is a front/left-side/bottom perspective view of a combined hanger and, in a closed position, hook showing my new design;

FIG. 2 is a front elevational view thereof;

FIG. 3 is a rear elevational view thereof;

FIG. 4 is a left-side elevational view thereof;

FIG. 5 is a right-side elevational view thereof;

FIG. 6 is a top plan view thereof;

FIG. 7 is a bottom plan view thereof;

FIG. 8 is a front/left-side/bottom perspective view of the hanger shown separately for clarity of illustration;

FIG. 9 is a front elevational view of the hanger thereof;

FIG. 10 is a rear elevational view of the hanger thereof;

FIG. 11 is a left-side elevational view of the hanger thereof;

FIG. 12 is a right-side elevational view of the hanger thereof;

FIG. 13 is a top plan view of the hanger thereof;

FIG. 14 is a bottom plan view of the hanger thereof;

FIG. 15 is front/right-side/bottom perspective view of the hook in the open position shown separately for clarity of illustration;

FIG. 16 is a front elevational view of the hook thereof in the open position;

FIG. 17 is a rear elevational view of the hook thereof in the open position;

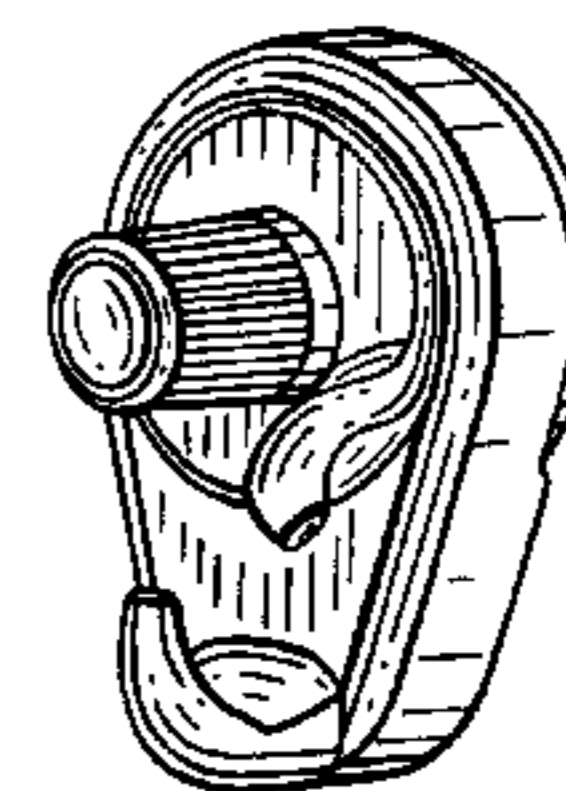
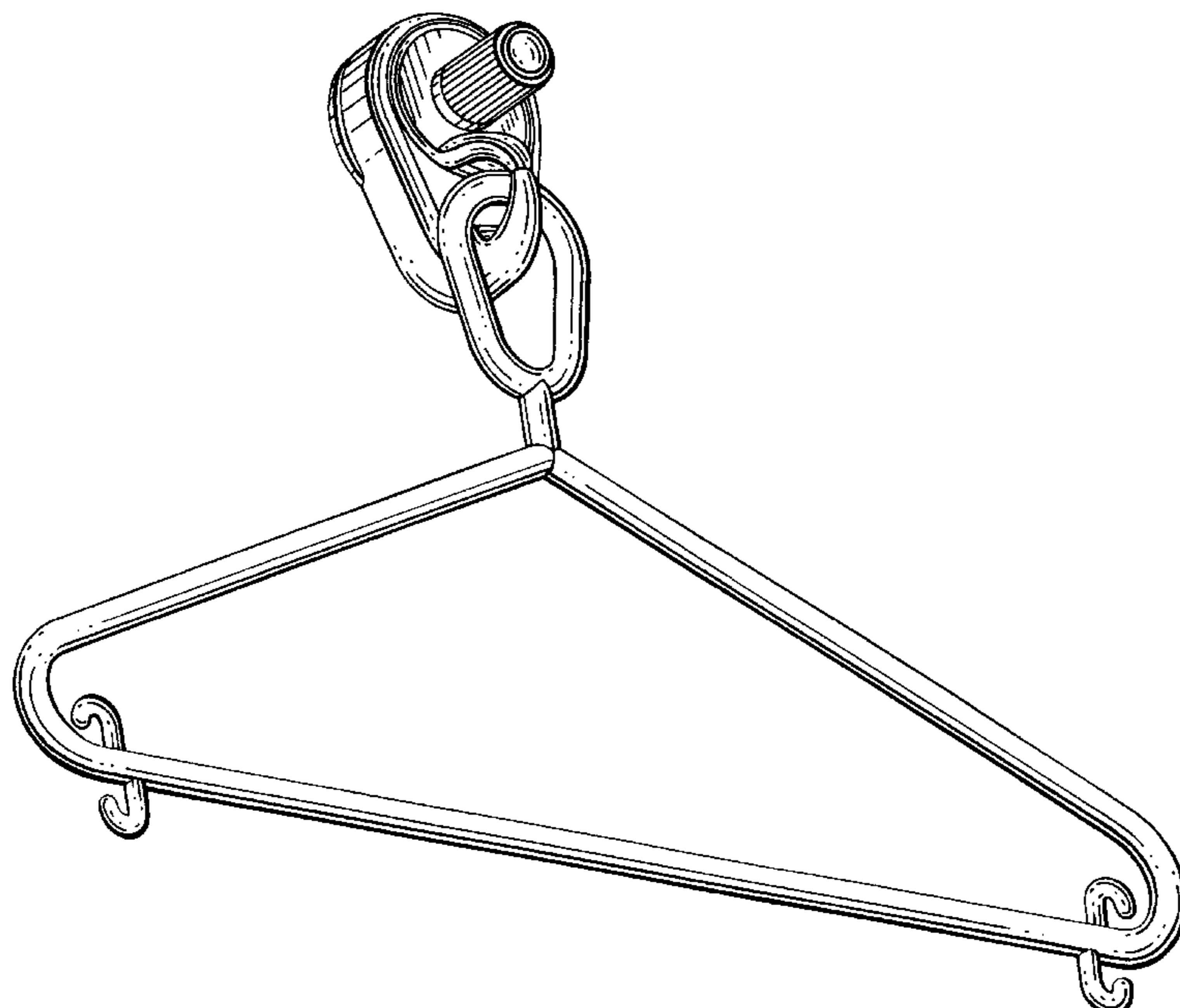
FIG. 18 is a left-side elevational view of the hook thereof in the open position;

FIG. 19 is a right-side elevational view of the hook thereof in the open position;

FIG. 20 is a top plan view of the hook thereof in the open position; and,

FIG. 21 is a bottom plan view of the hook thereof in the open position.

1 Claim, 11 Drawing Sheets



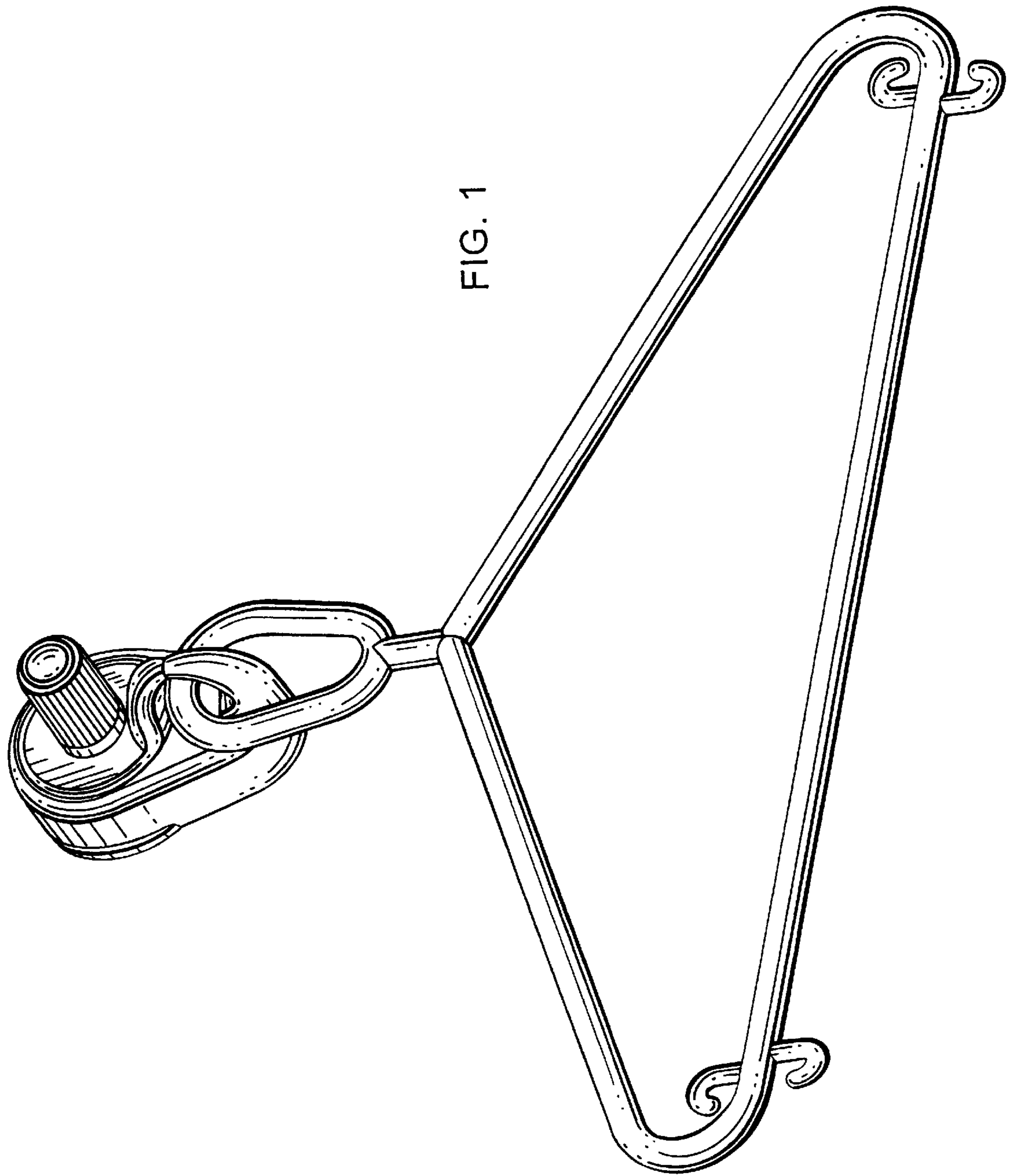


FIG. 1

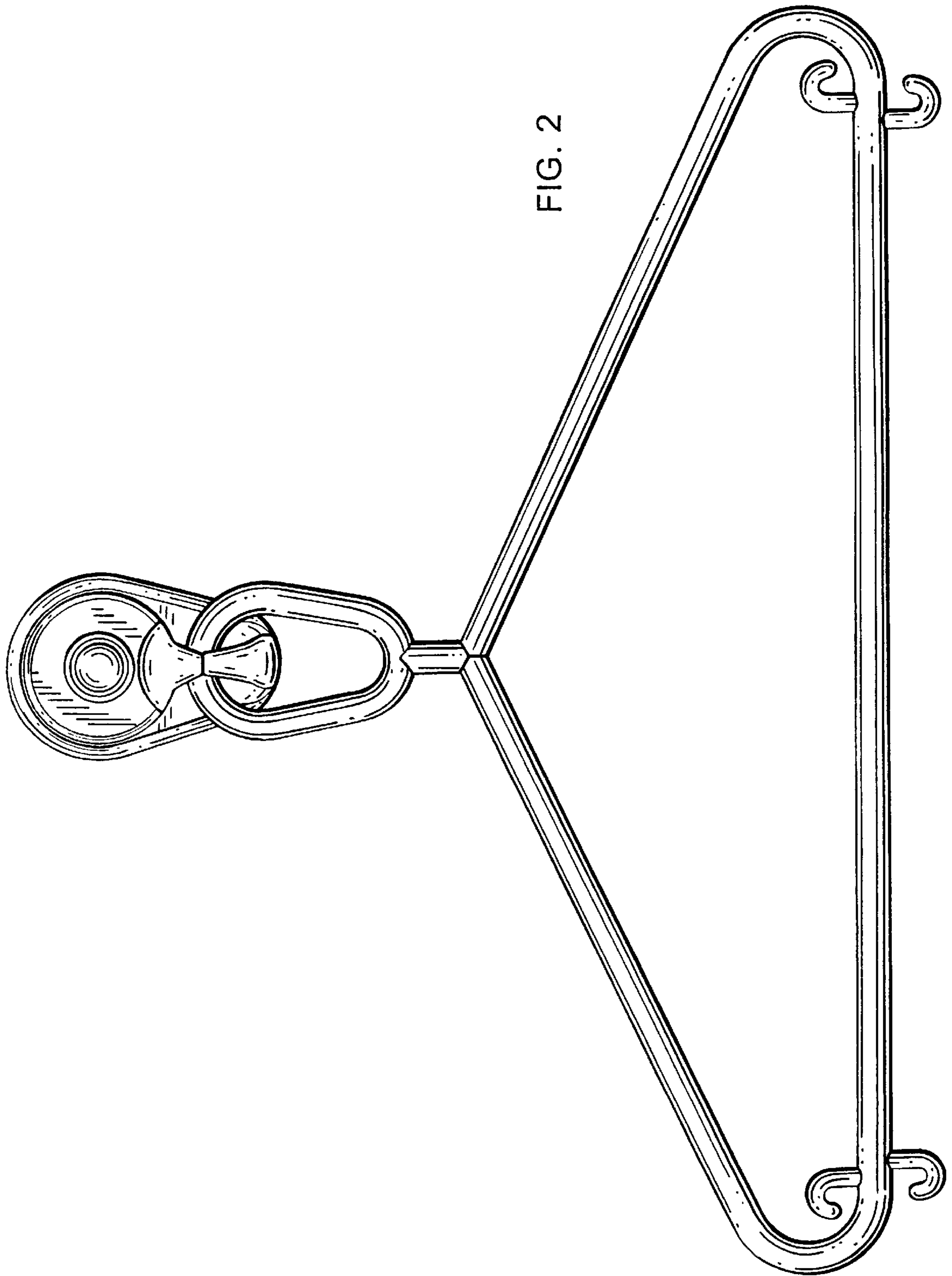


FIG. 2

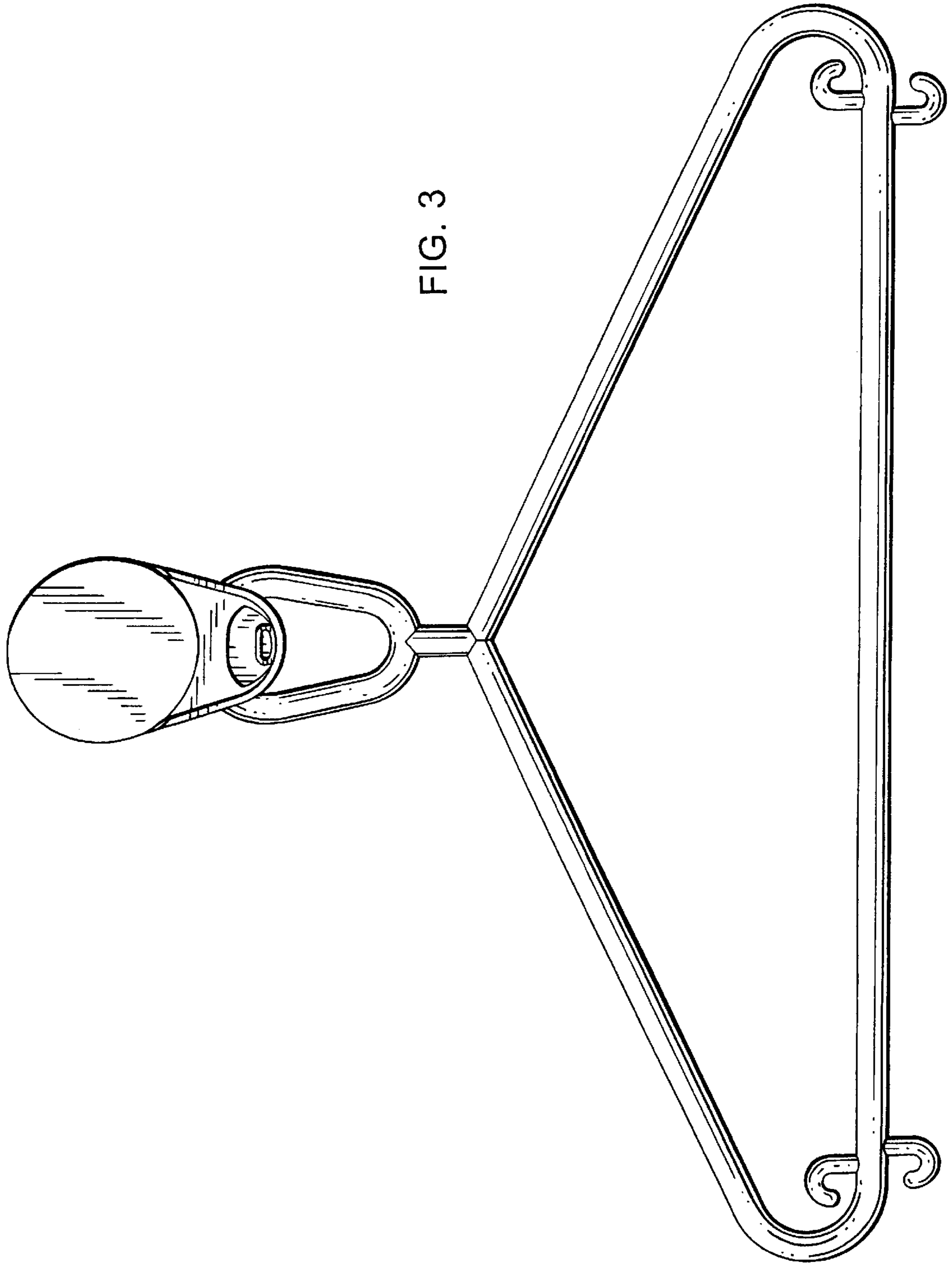


FIG. 3

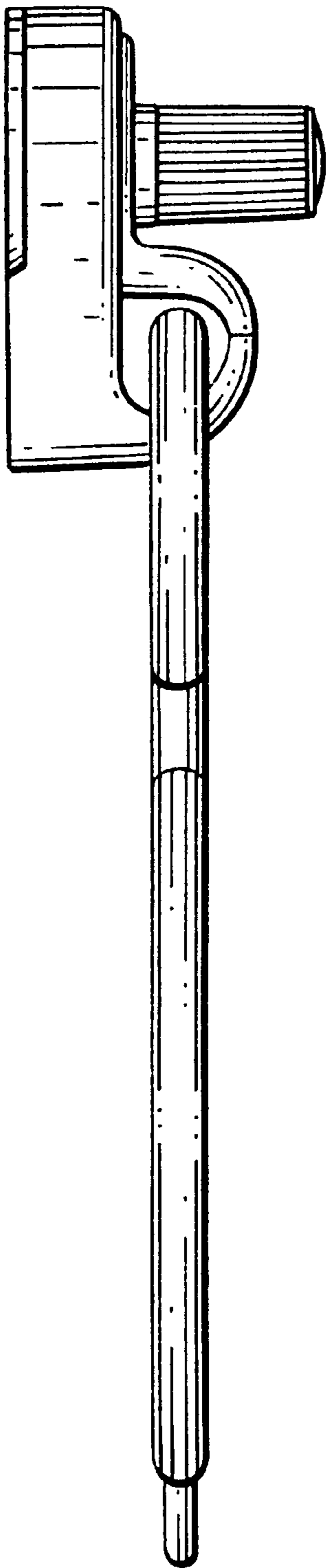


FIG. 4

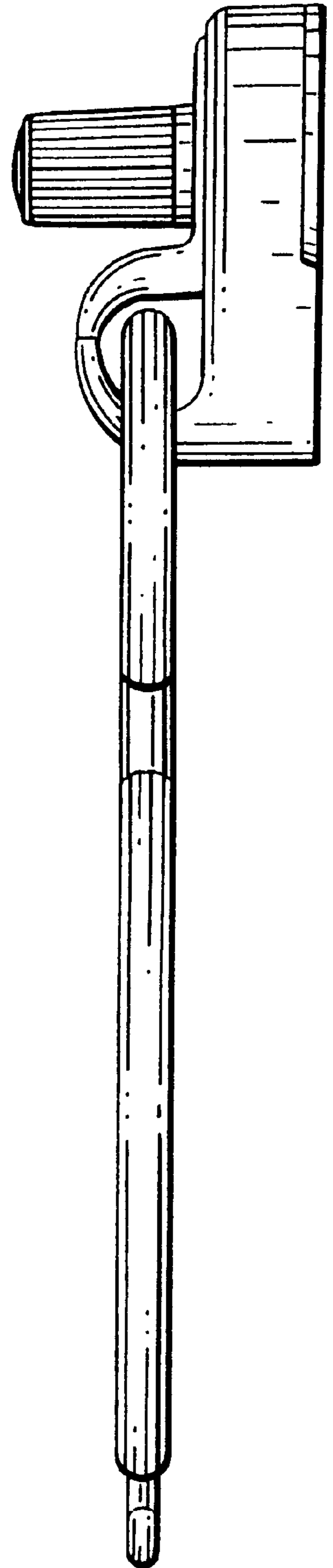


FIG. 5

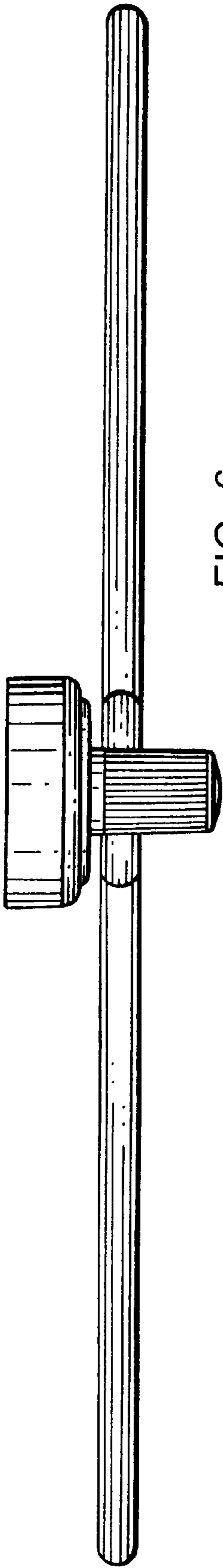


FIG. 6

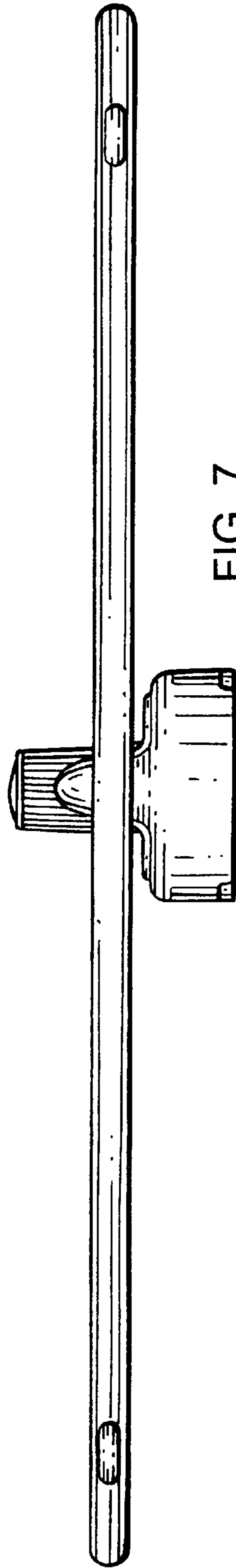


FIG. 7

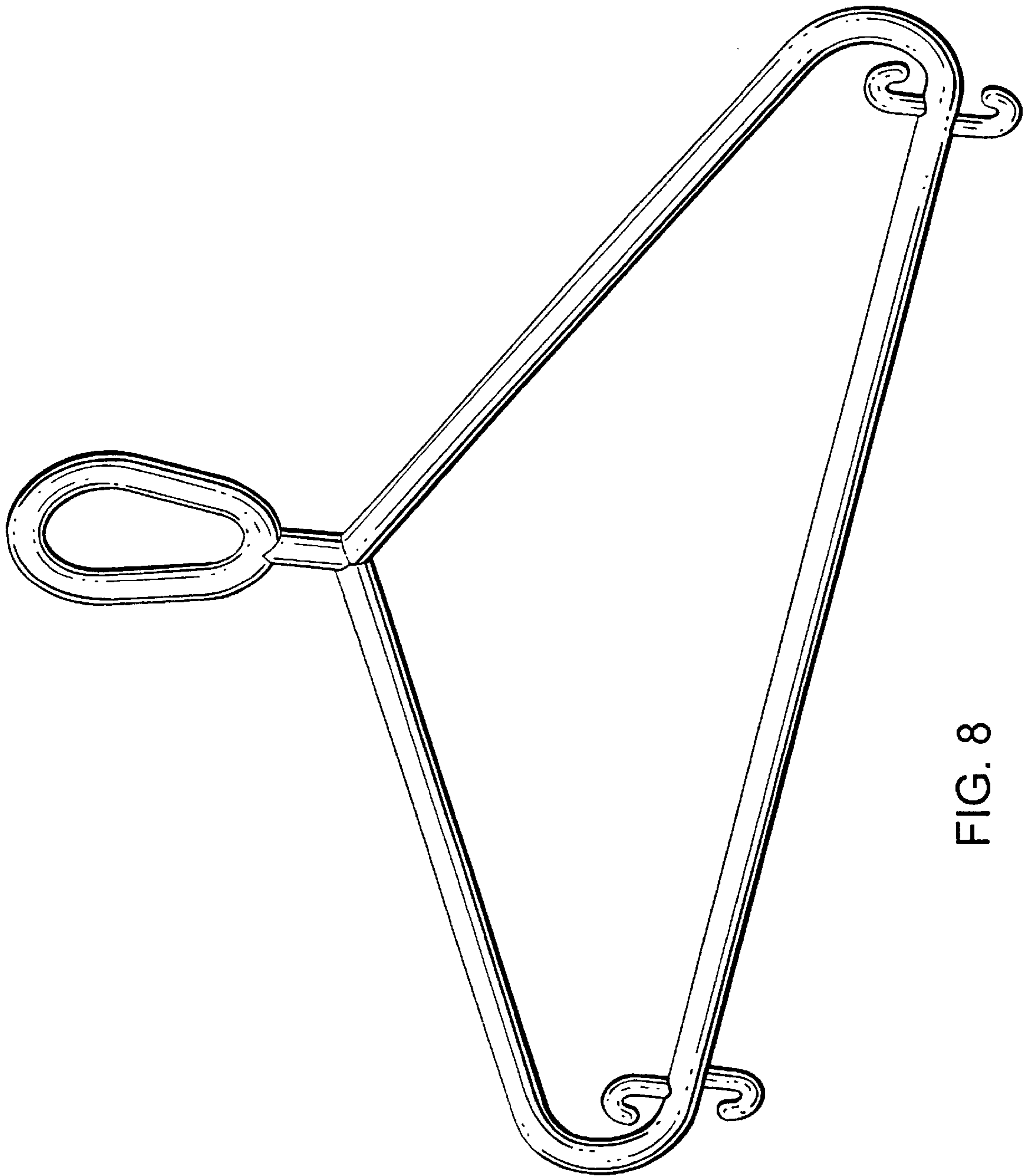


FIG. 8

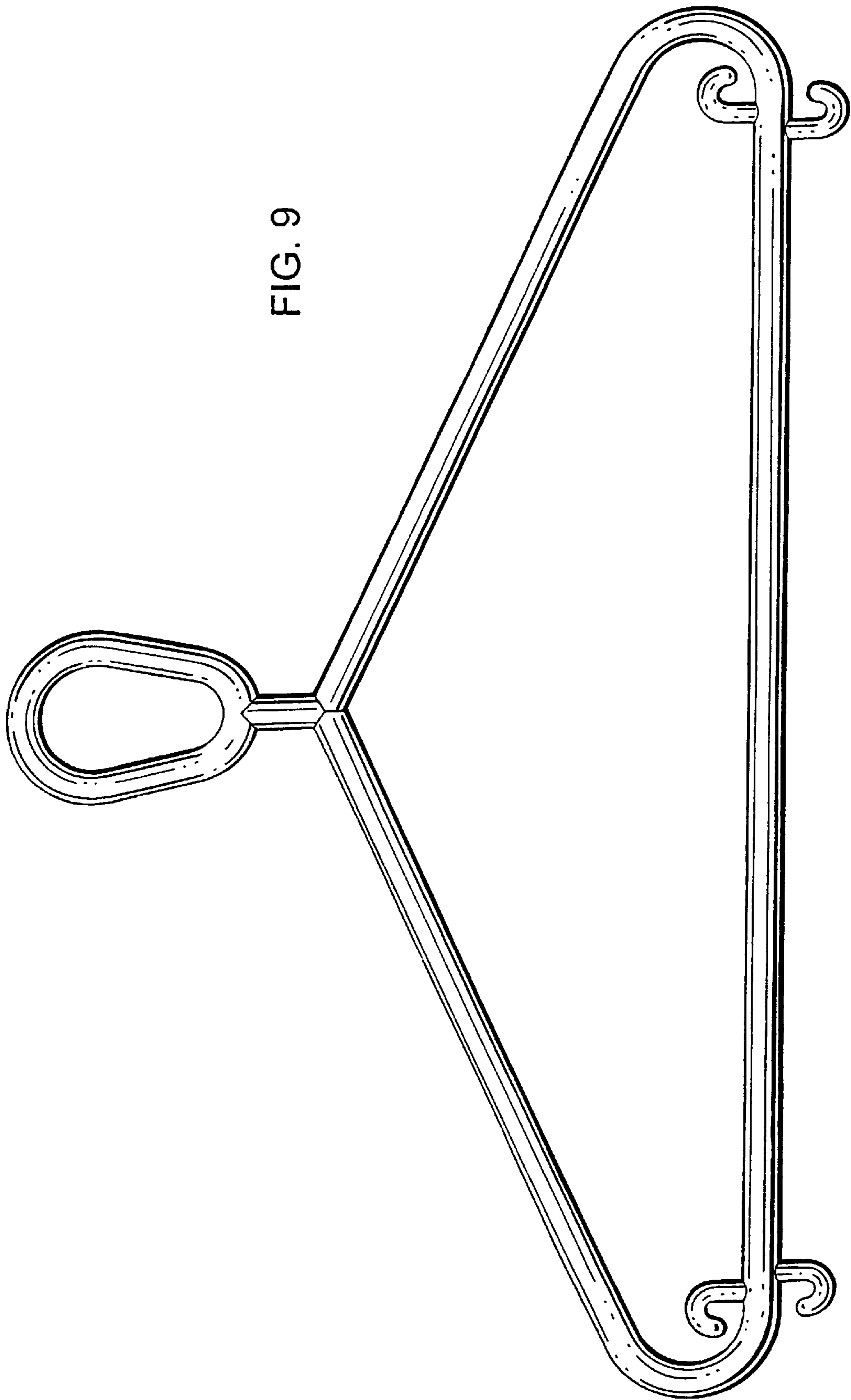


FIG. 9

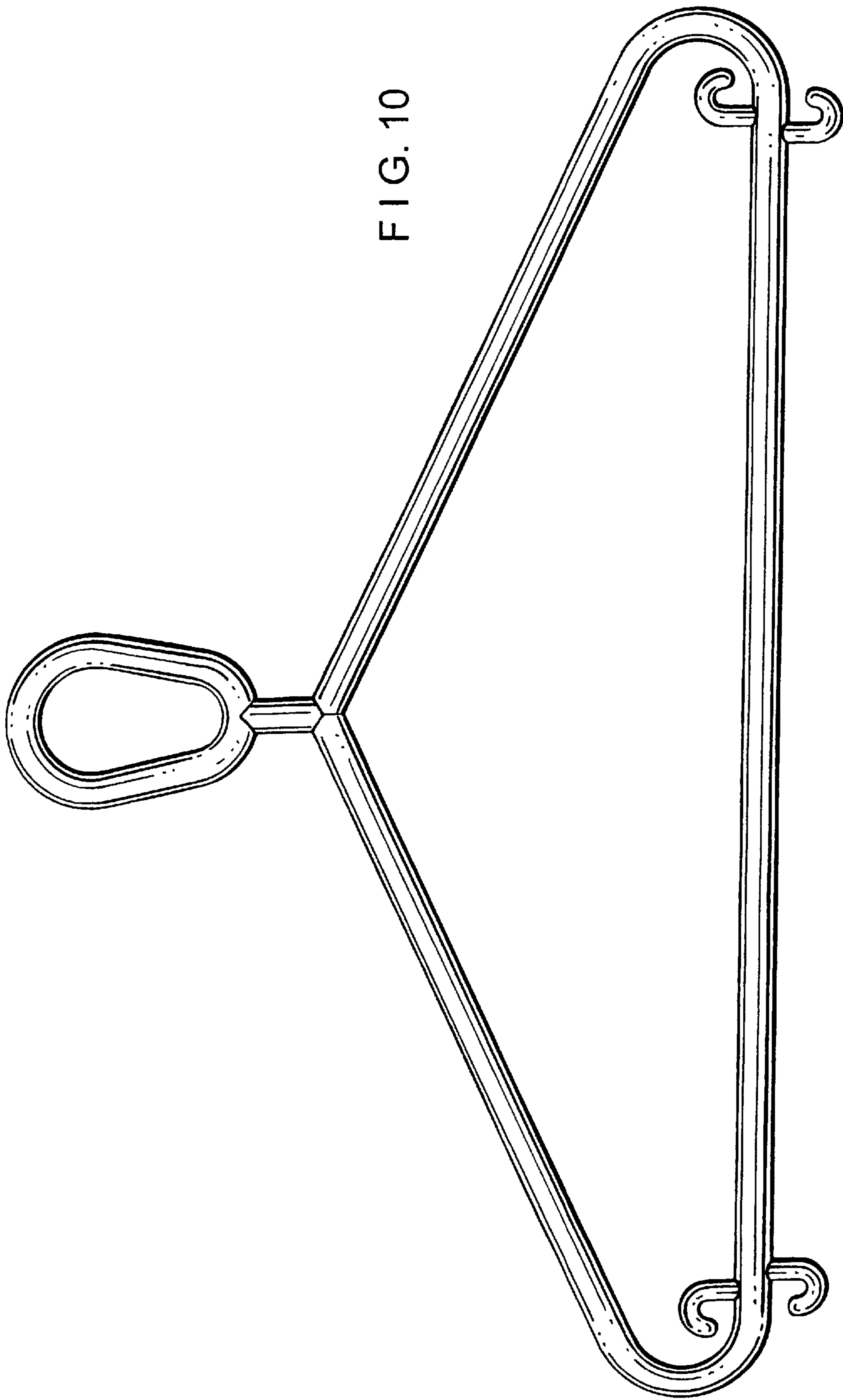


FIG. 10



FIG. 11

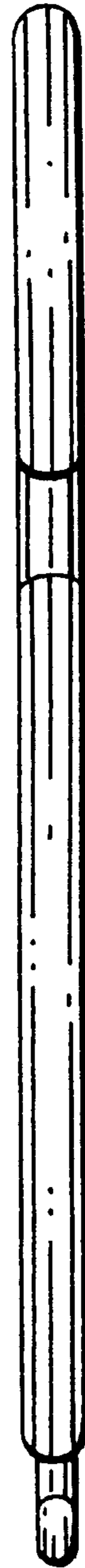


FIG. 12



FIG. 13



FIG. 14

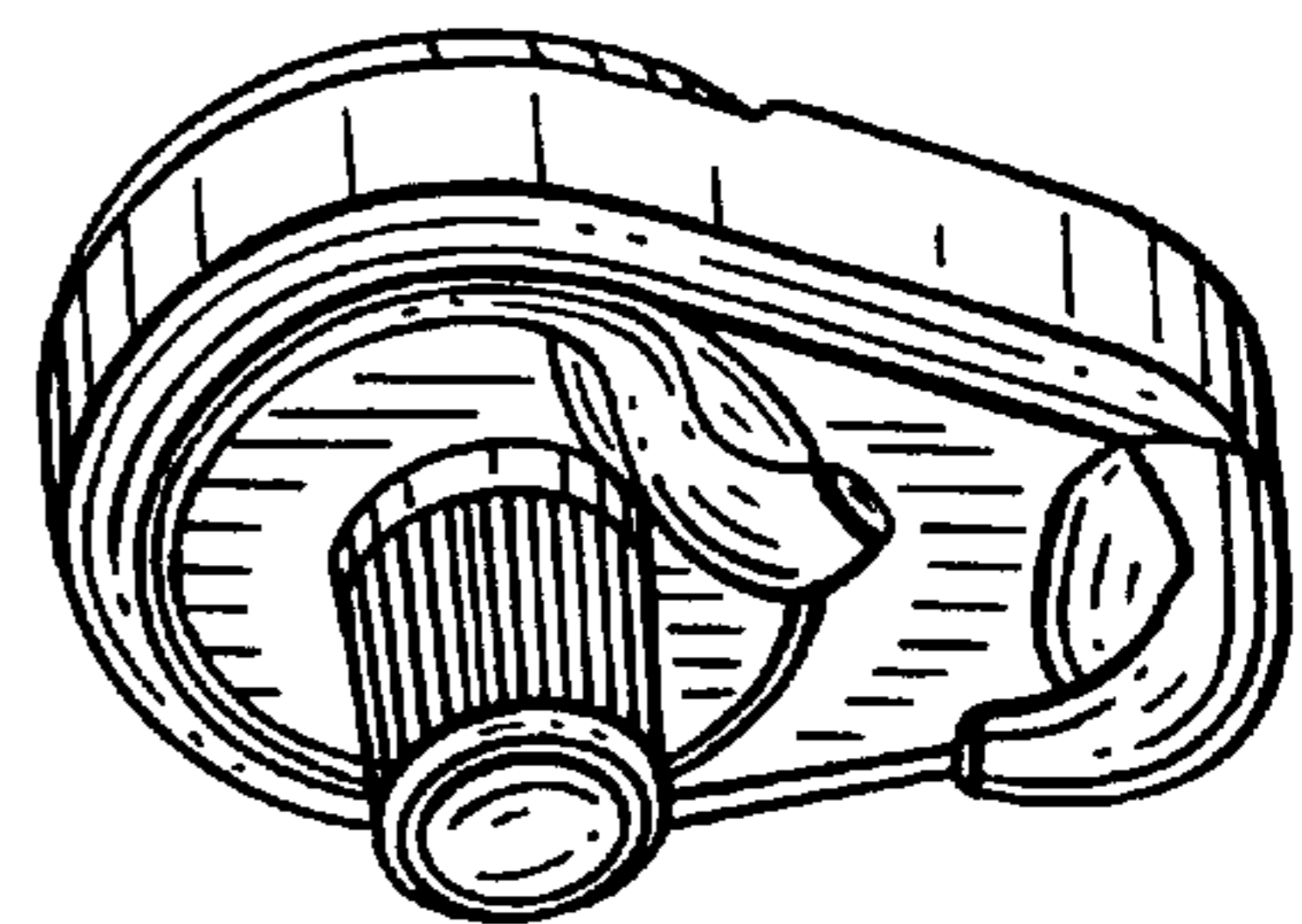


FIG. 15

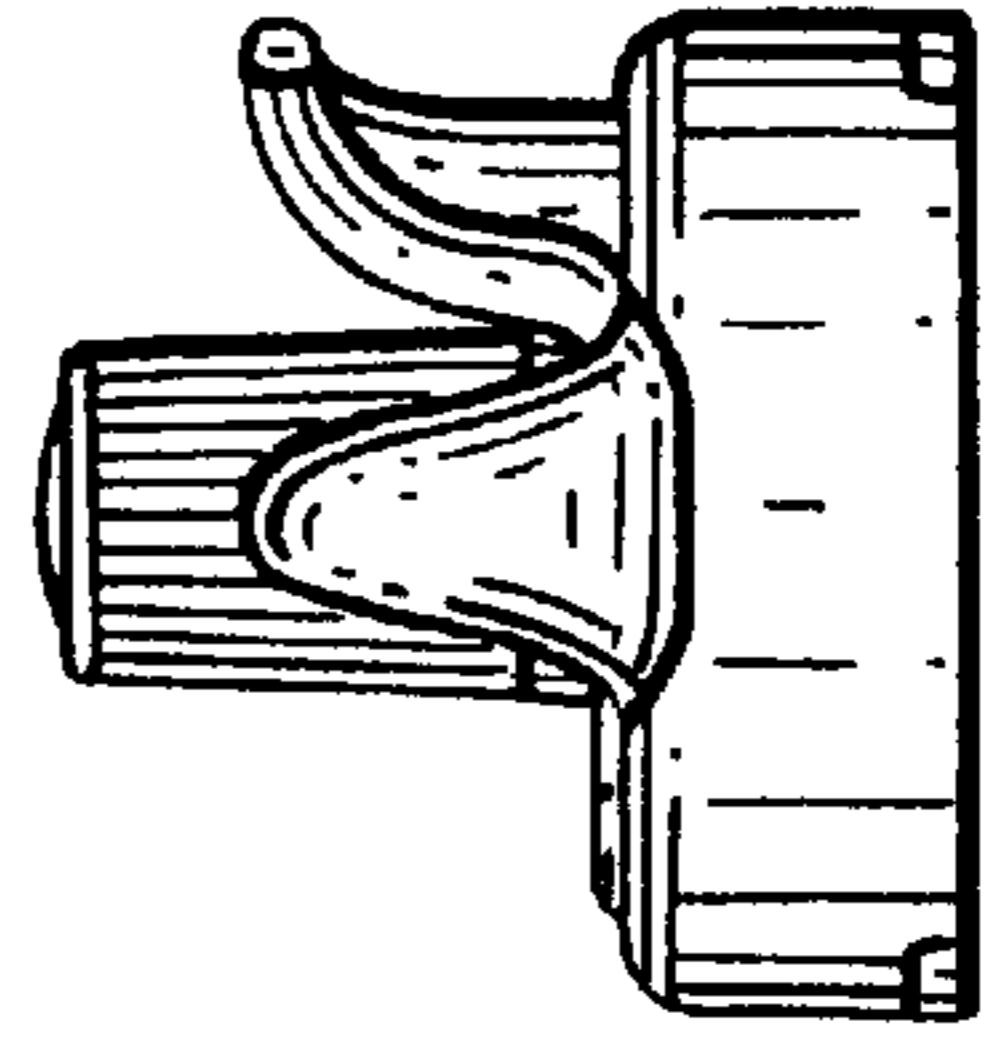


FIG. 20

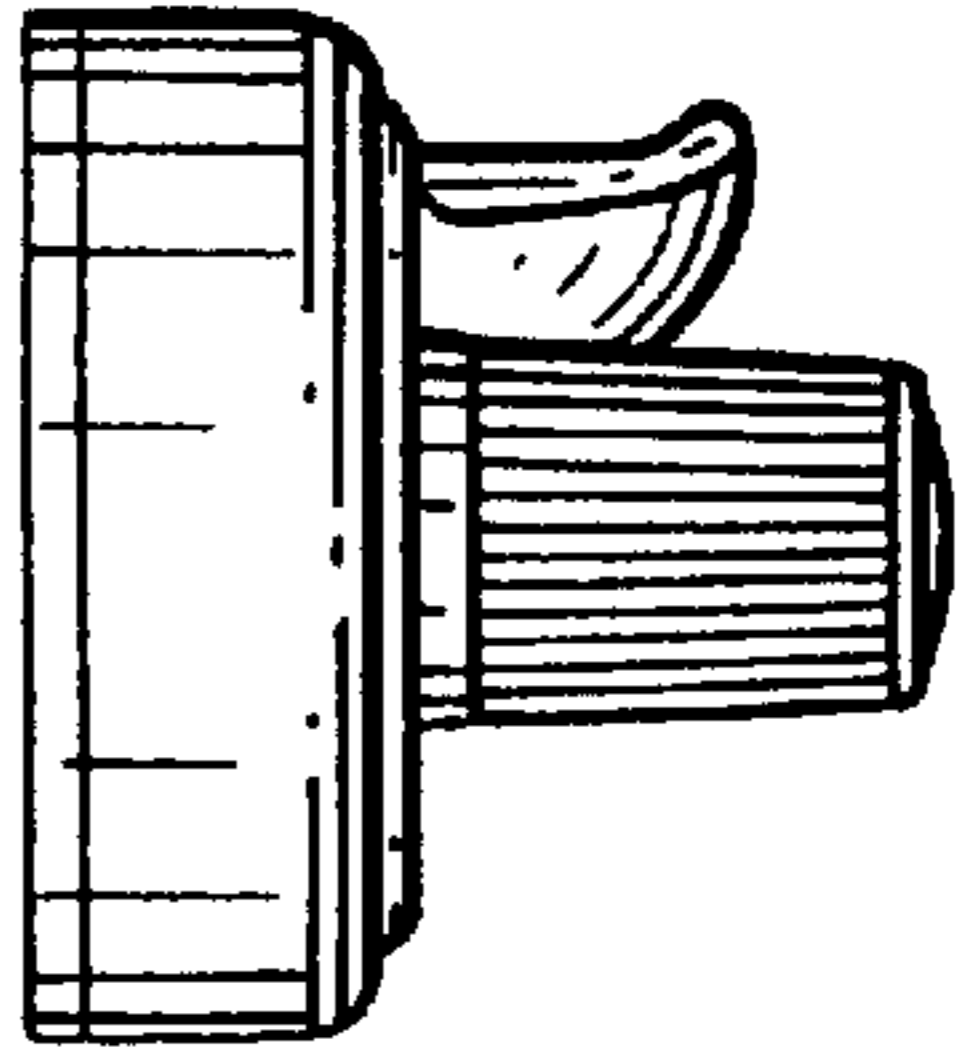


FIG. 21

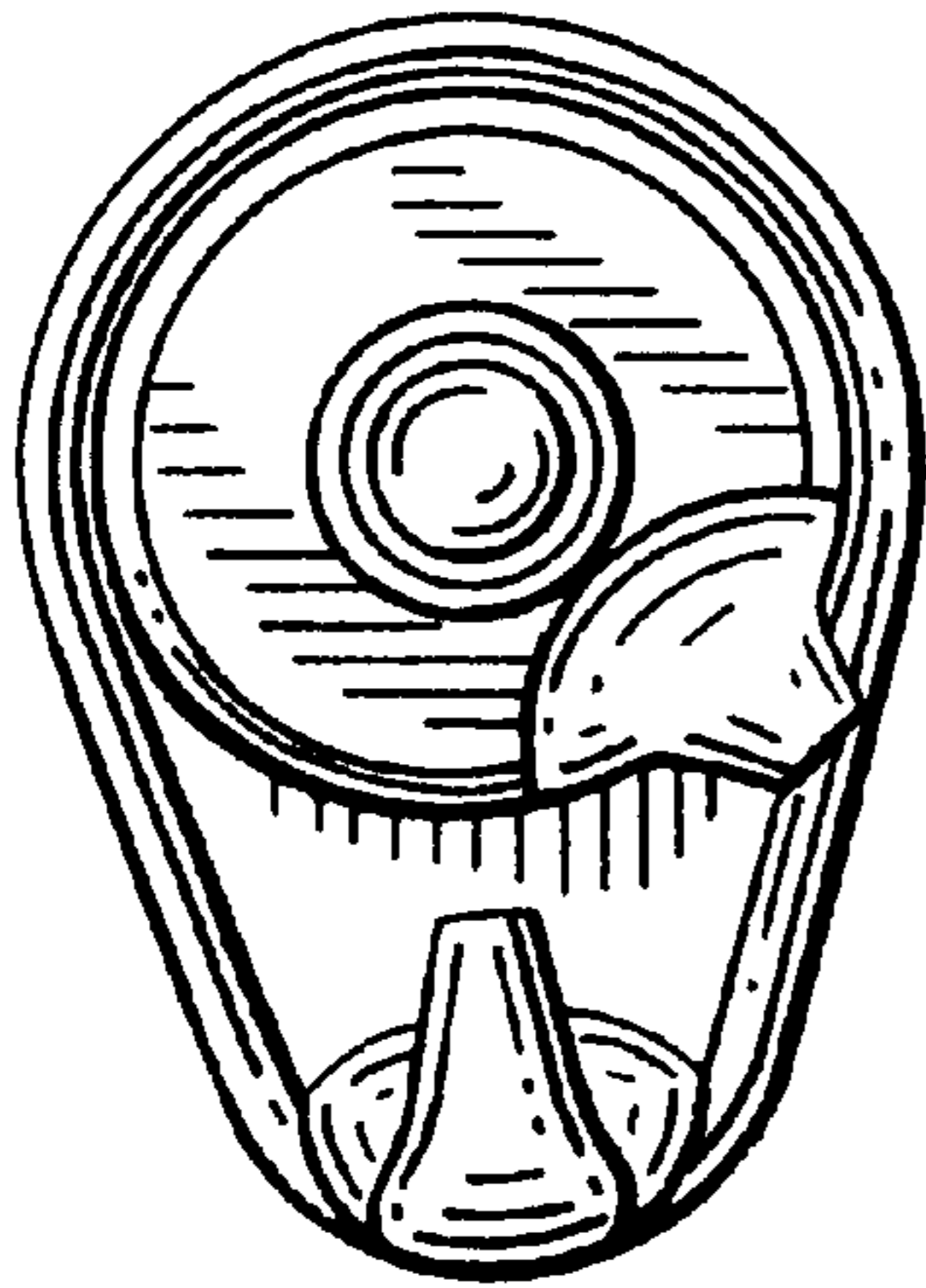


FIG. 16

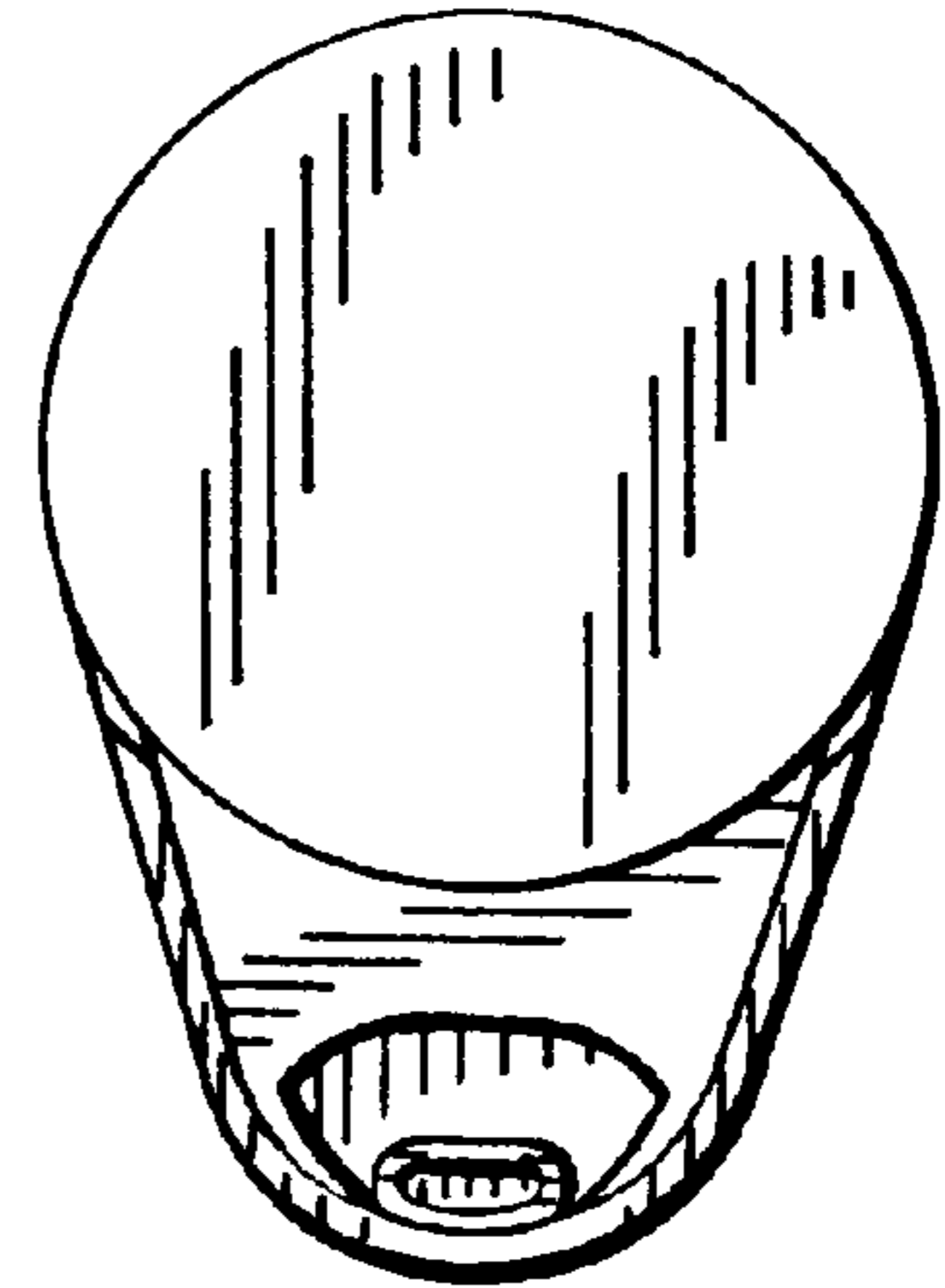


FIG. 17

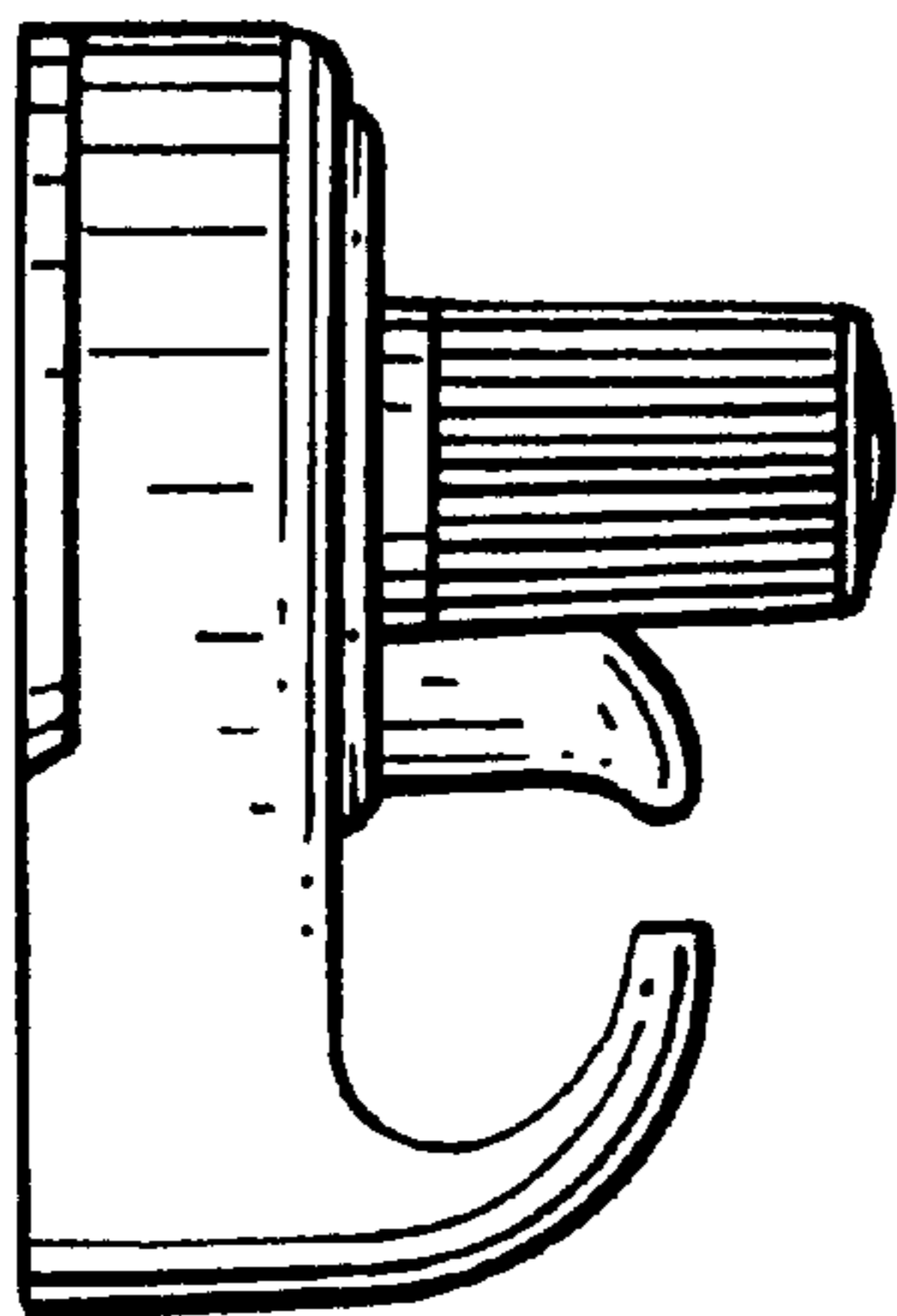


FIG. 18

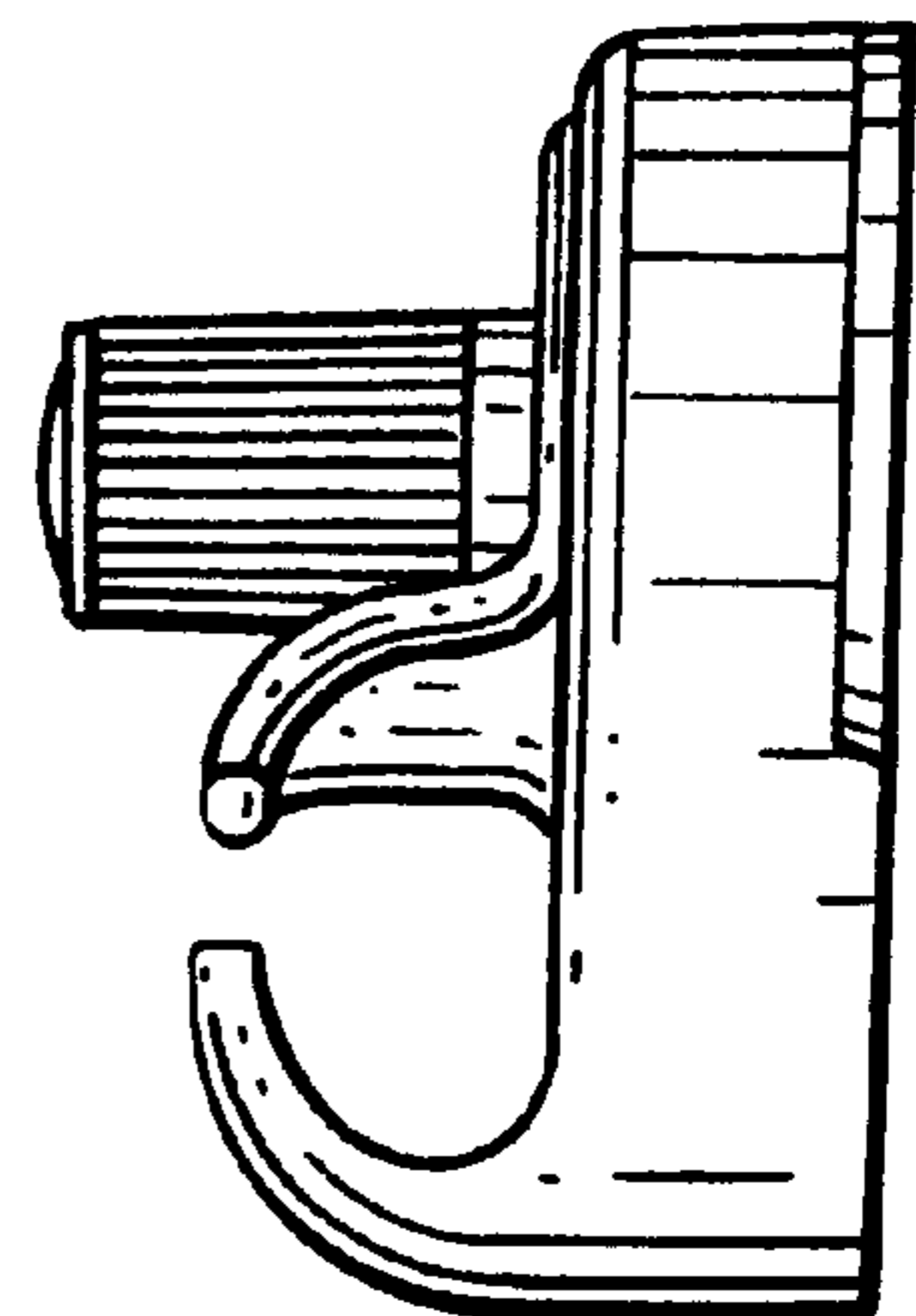


FIG. 19