



US00D424309S

United States Patent [19]
Elliott

[11] **Patent Number: Des. 424,309**

[45] **Date of Patent: ** May 9, 2000**

[54] **COMBINED MIRROR AND STAND**

D. 364,966 12/1995 Kennedy, Jr. D6/300
1,414,351 5/1922 Fritz 40/747

[76] Inventor: **Isabella C Elliott**, 208 Oakwood Ave.,
Kearny, N.J. 07032

Primary Examiner—Janice E. Seeger

[**] Term: **14 Years**

[57] **CLAIM**

The ornamental design for a combined mirror and stand, as shown and described.

[21] Appl. No.: **29/104,605**

[22] Filed: **May 6, 1999**

DESCRIPTION

[51] **LOC (7) Cl.** **06-07**

FIG. 1 is a front elevational view of the combined mirror and stand of the present invention;

[52] **U.S. Cl.** **D6/312**

FIG. 2 is a back elevational view of the combined mirror and stand of FIG. 1;

[58] **Field of Search** D6/300-314; D20/10,
D20/40; 40/700, 711, 714, 716, 723, 729,
732, 735, 745, 747, 765, 768, 771, 780,
790, 798; 248/474; 359/838, 854, 872,
876

FIG. 3 is a left side elevational view of the combined mirror and stand of FIG. 1, the right side elevational view being a mirror image thereof;

[56] **References Cited**

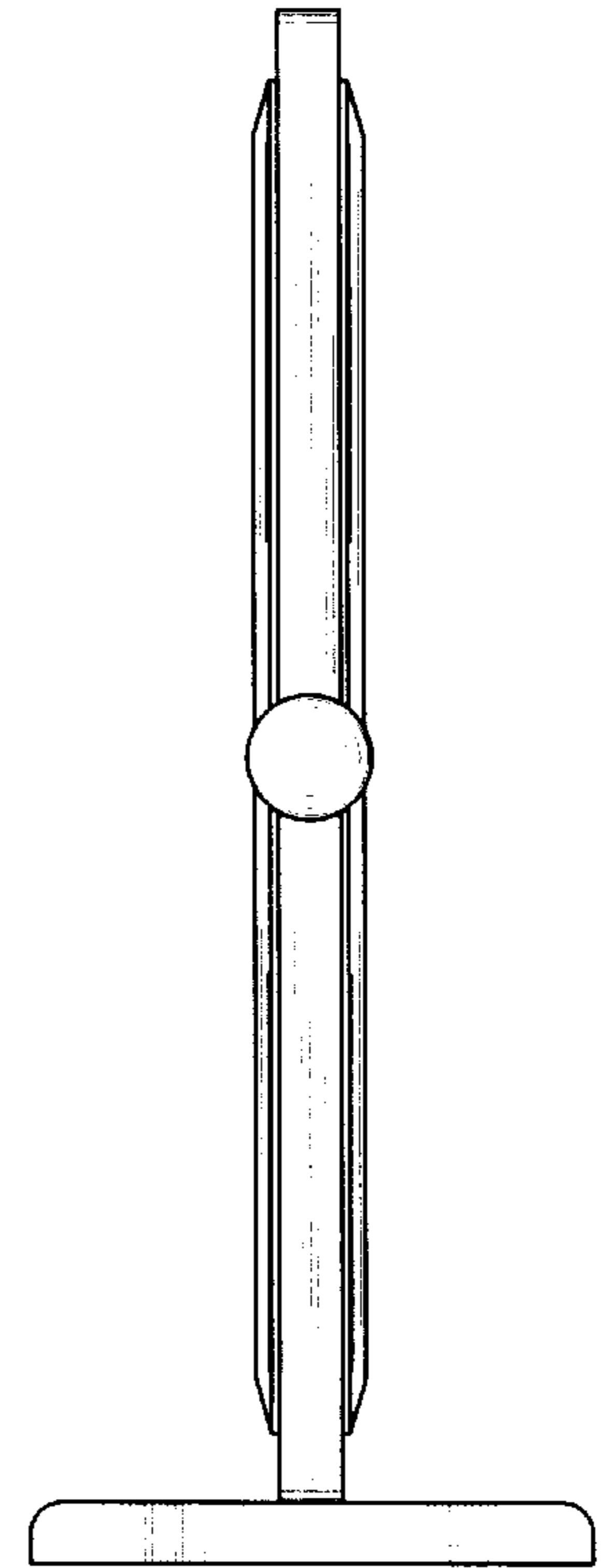
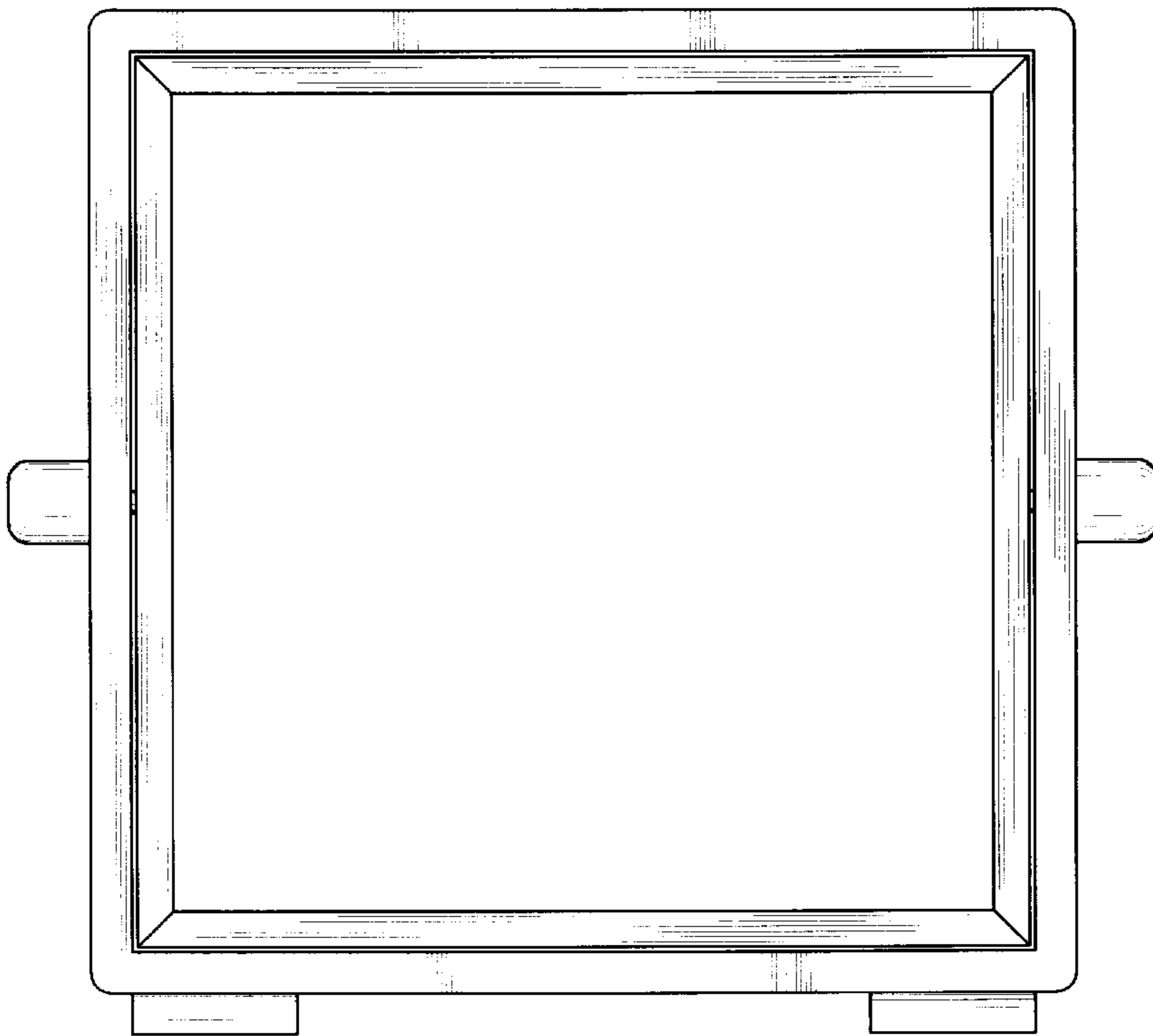
FIG. 4 is a top plan view of the combined mirror and stand of FIG. 1; and,

U.S. PATENT DOCUMENTS

FIG. 5 is a bottom plan view of the combined mirror and stand of FIG. 1.

D. 254,830 4/1980 Wachtel D6/312
D. 276,012 10/1984 Westcott et al. D6/301

1 Claim, 3 Drawing Sheets



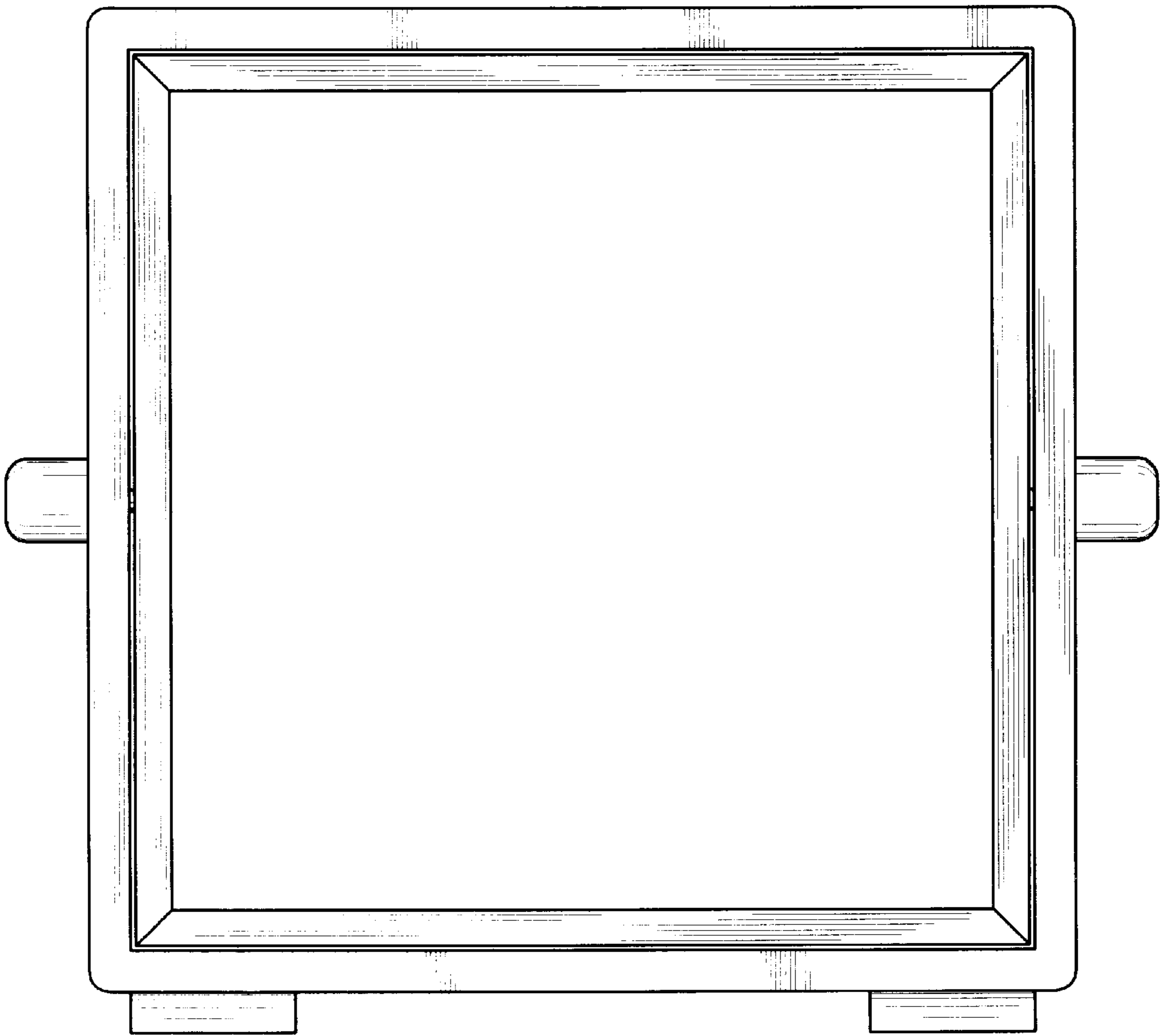


FIG. 1

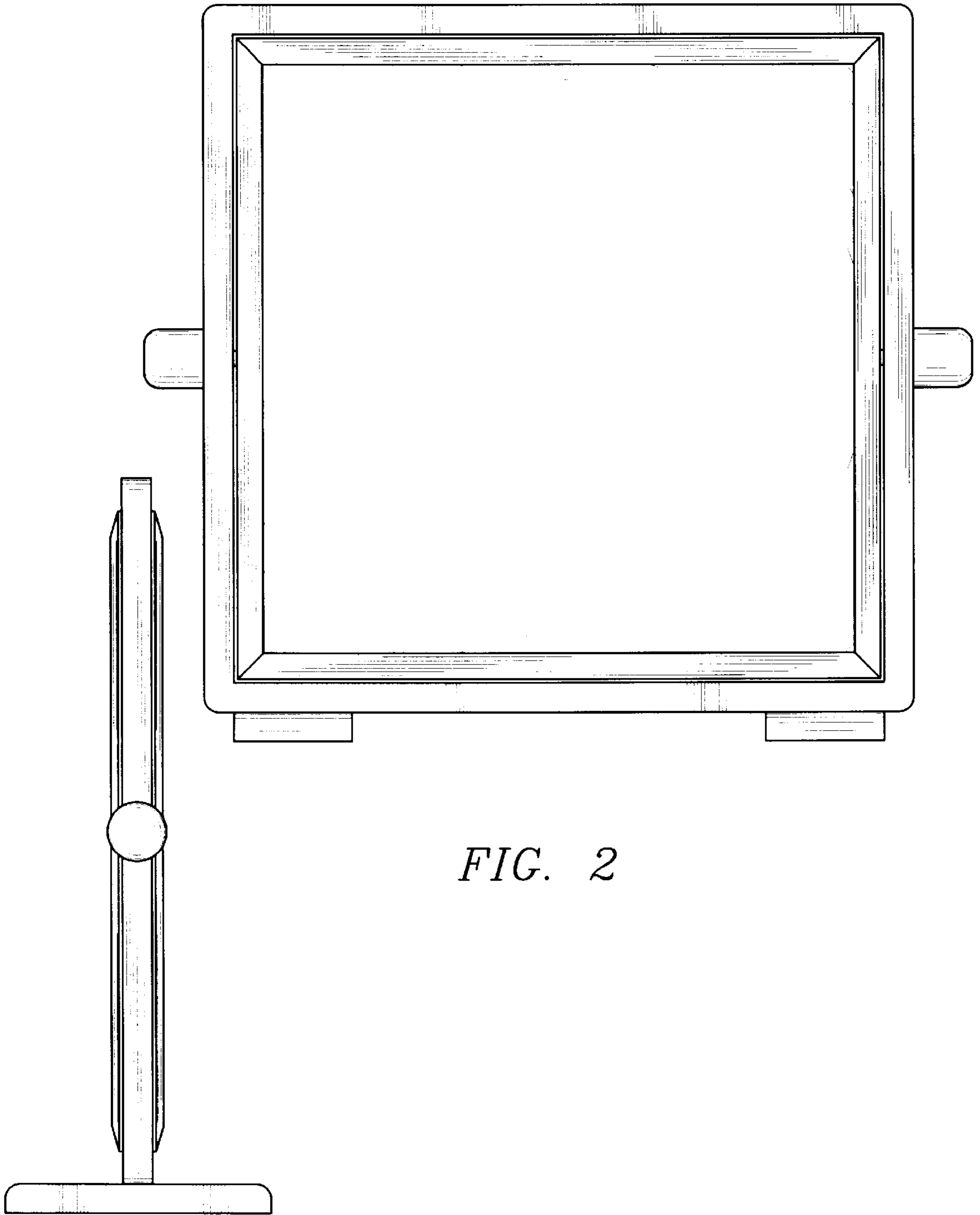


FIG. 2

FIG. 3

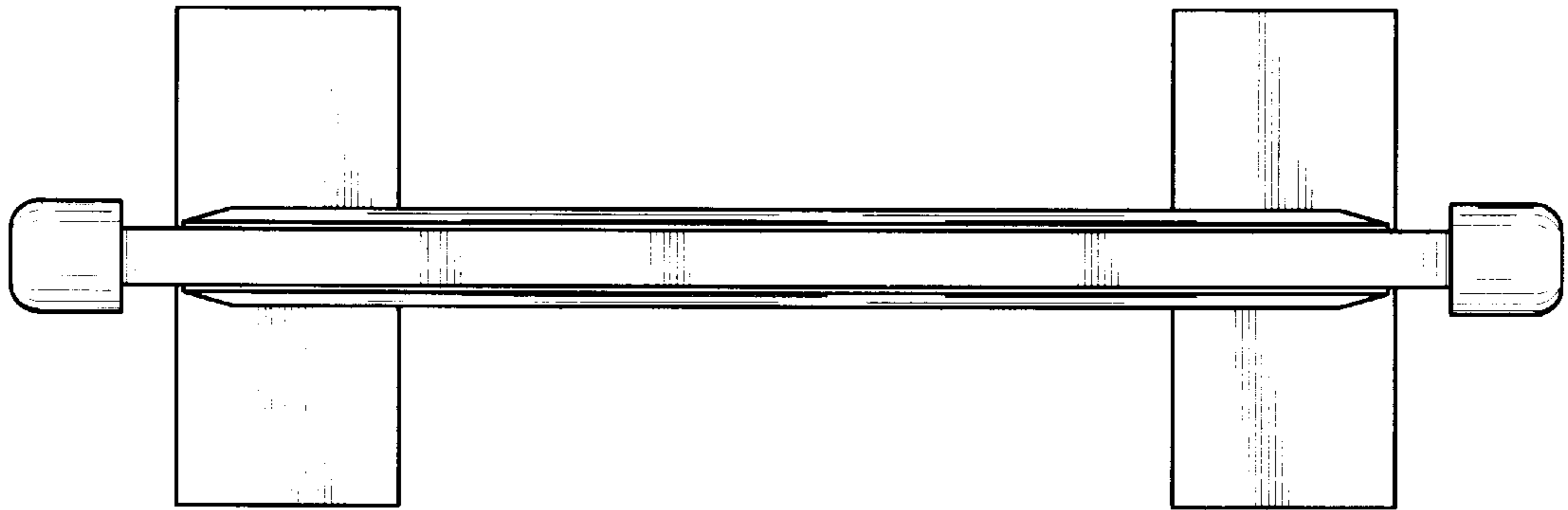


FIG. 4

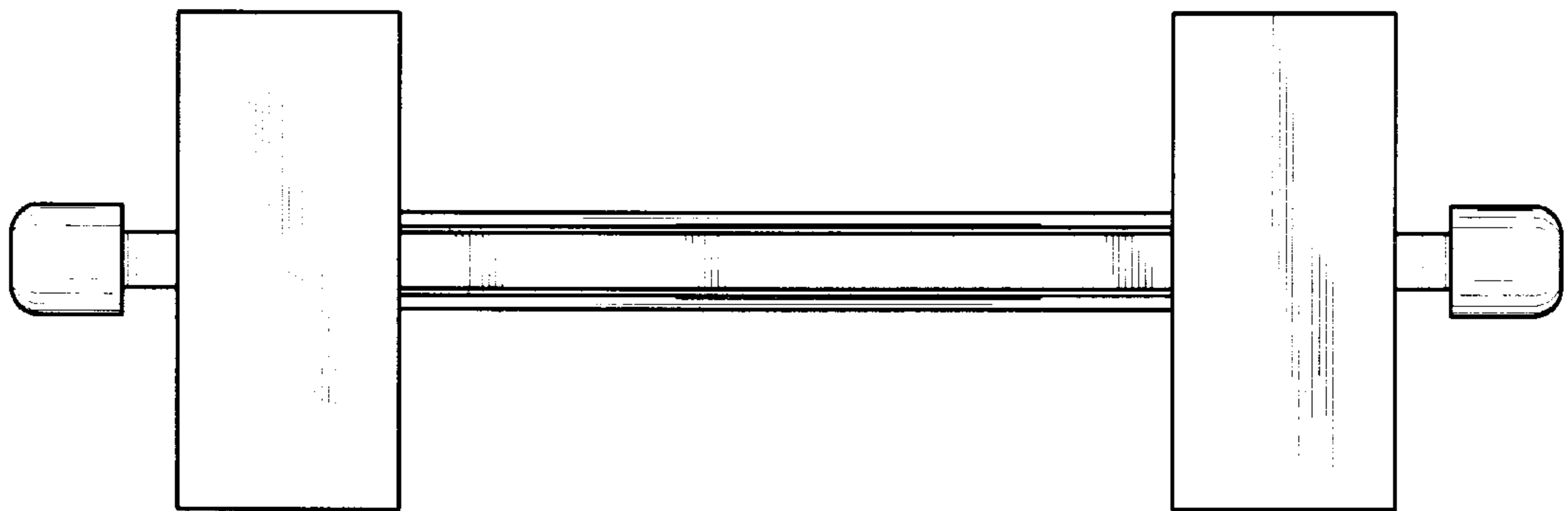


FIG. 5