



US00D424308S

United States Patent [19] Hutten

[11] Patent Number: **Des. 424,308**

[45] Date of Patent: **** May 9, 2000**

[54] **COLLAPSIBLE EASEL**

[75] Inventor: **James E. Hutten**, Mason, Ohio

[73] Assignee: **Ghent Manufacturing, Inc.**, Lebanon, Ohio

[**] Term: **14 Years**

[21] Appl. No.: **29/101,871**

[22] Filed: **Mar. 12, 1999**

[51] **LOC (7) Cl.** **06-07**

[52] **U.S. Cl.** **D6/312**

[58] **Field of Search** D6/300-304, 308-319;
D20/10, 40; 40/700, 745, 765, 780, 790,
798; 248/441.1, 445, 448, 454, 455, 460,
462, 463, 464, 465

[56] **References Cited**

U.S. PATENT DOCUMENTS

D. 251,820 5/1979 Stark D6/312
2,064,232 12/1936 Tepper .
2,681,030 6/1954 Hoge .

2,744,712 5/1956 Brandt .
2,973,933 3/1961 Howell .
3,201,080 8/1965 Rose .
4,017,049 4/1977 Albee, Jr. 248/464
4,171,116 10/1979 Carver et al. 248/464
4,826,125 5/1989 Kelley 248/463

Primary Examiner—Janice E. Seeger
Attorney, Agent, or Firm—Jacox, Meckstroth & Jenkins

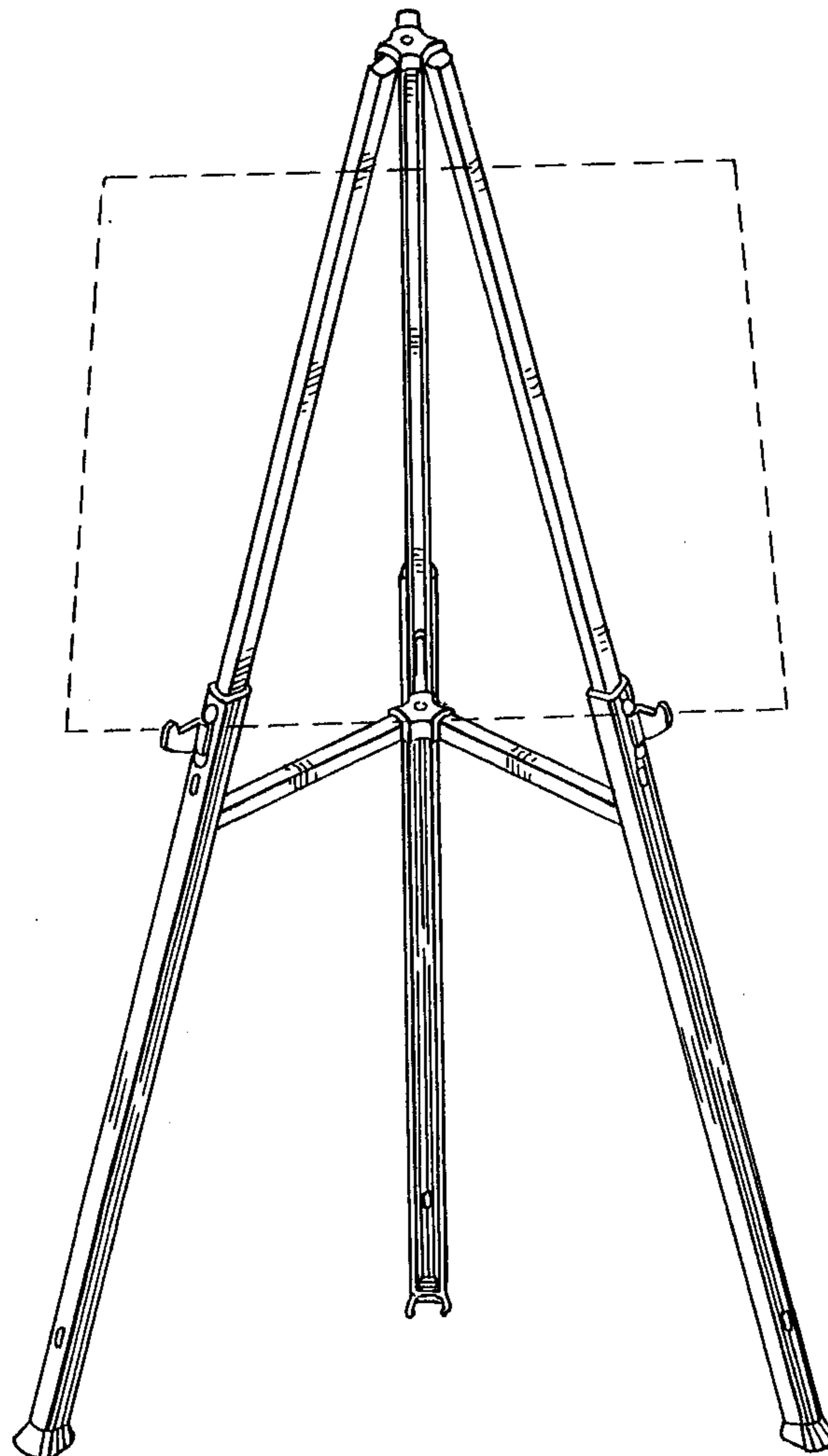
[57] **CLAIM**

The ornamental design of a collapsible easel, as shown and described.

DESCRIPTION

FIG. 1 is a perspective view of a collapsible easel showing my new design;
FIG. 2 is a top view thereof;
FIG. 3 is a bottom view thereof; and,
FIG. 4 is a collapsed view thereof.
The broken lines in FIG. 1 and showing a board are for illustrative purpose only and form no part of the claimed design.

1 Claim, 3 Drawing Sheets



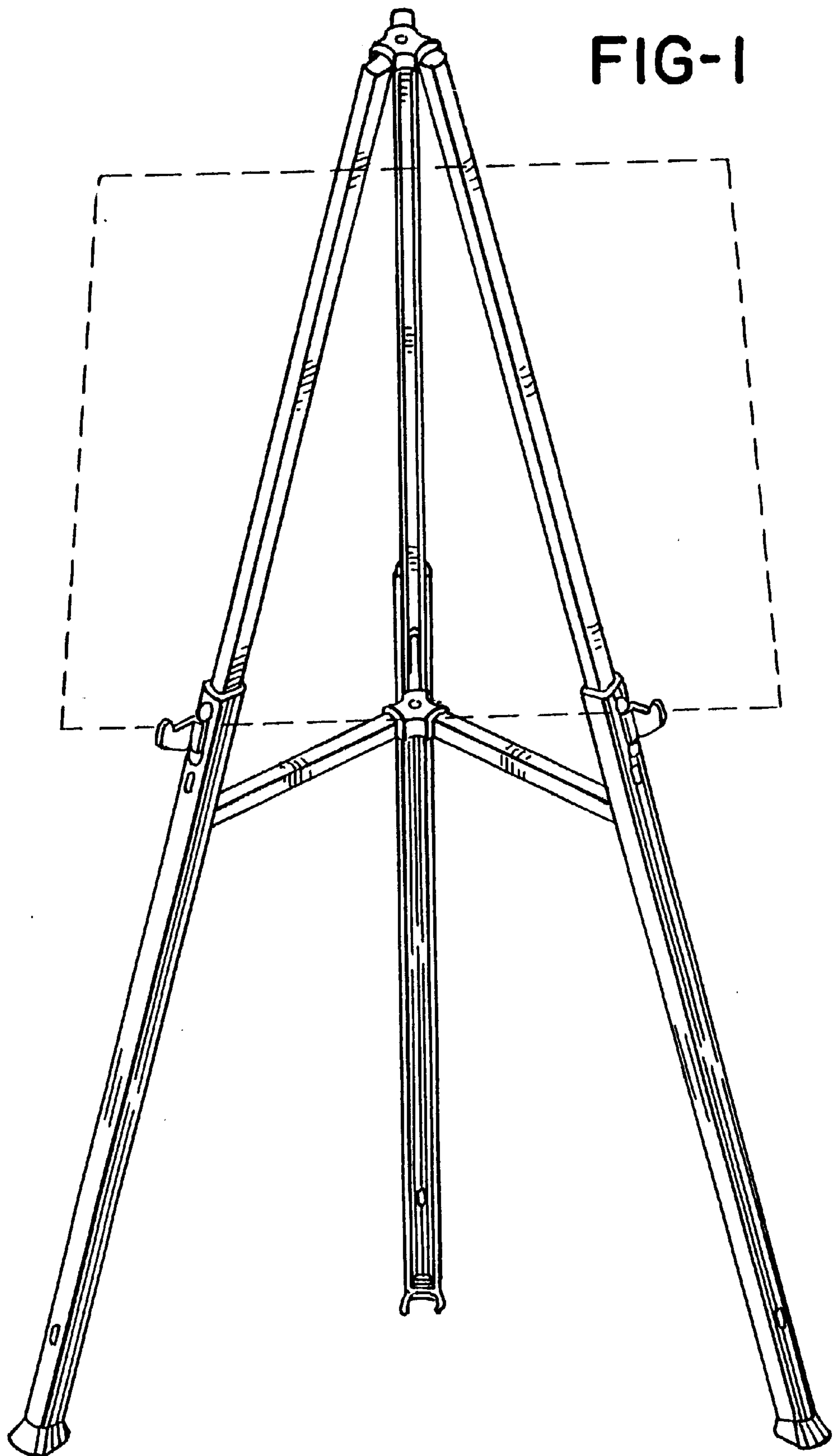


FIG-2

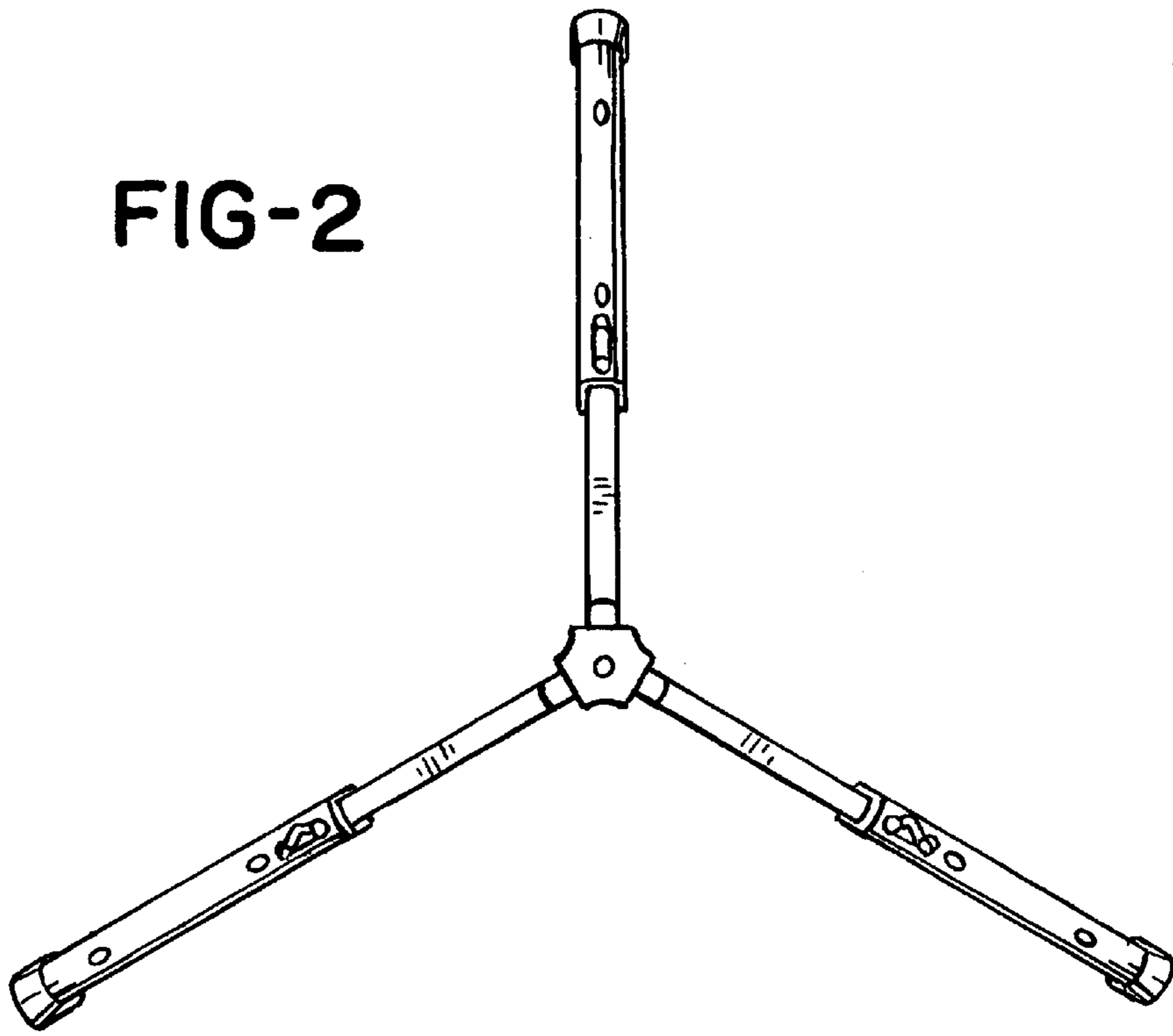


FIG-3

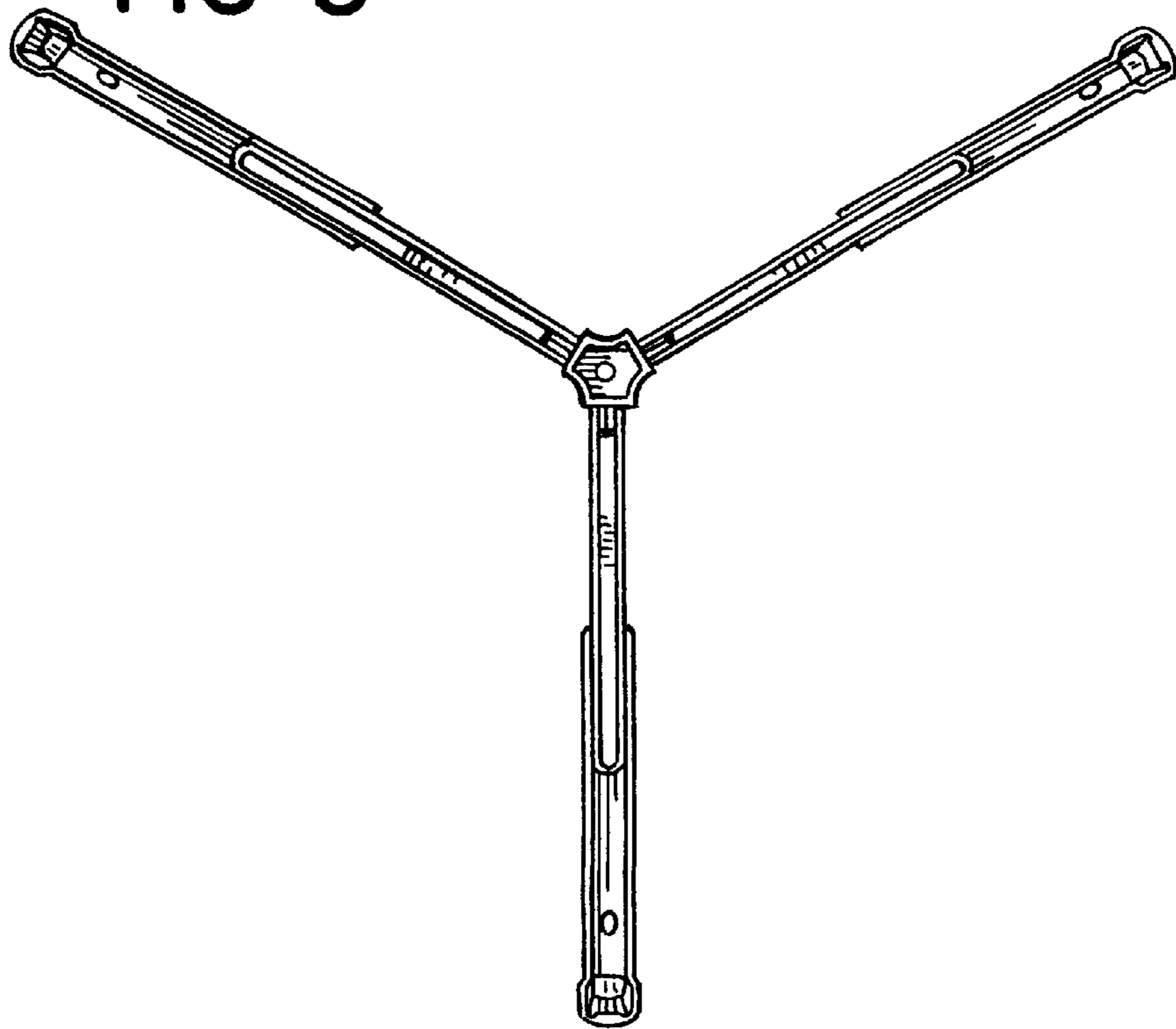


FIG-4

