



US00D424307S

United States Patent [19] Spriggs

[11] **Patent Number: Des. 424,307**

[45] **Date of Patent: ** May 9, 2000**

[54] **NAIL CLEANING BRUSH**

[76] Inventor: **Margie Spriggs**, 536 S. Kenmore Ave.
#5, Los Angeles, Calif. 90020

[**] Term: **14 Years**

[21] Appl. No.: **29/098,163**

[22] Filed: **Dec. 23, 1998**

[51] **LOC (7) Cl.** **04-02**

[52] **U.S. Cl.** **D4/134**

[58] **Field of Search** D4/104-112, 134,
D4/138; 15/143.1, 159.1, 160, 167.1, 167.3,
186, 187; 132/308, 313; 601/139, 141

[56] **References Cited**

U.S. PATENT DOCUMENTS

D. 310,139 8/1990 Moharram D4/104
D. 325,130 4/1992 Phillips D4/104 X
4,493,126 1/1985 Uy 15/186

FOREIGN PATENT DOCUMENTS

22947 4/1909 United Kingdom 15/207.2

OTHER PUBLICATIONS

Fuller Brush Catalog, Inc., Silver Set Cleaning Brush, p. 26,
©1988.

Hong Kong Enterprise, Toothbrush—Item No. 394, p. 216,
Jun. 1994.

Keith-Simmons Co., Inc. Curved handle Brushes, p. 827,
©1941.

Primary Examiner—Alan P. Douglas
Assistant Examiner—Lavone D. Tabor
Attorney, Agent, or Firm—Goldstein & Canino

[57] **CLAIM**

The ornamental design for a nail cleaning brush, as shown
and described.

DESCRIPTION

FIG. 1 is a diagrammatic perspective view of the nail
cleaning brush.

FIG. 2 is a top plan view thereof.

FIG. 3 is a bottom view thereof.

FIG. 4 is an end elevational view as seen from the top of
FIG. 2.

FIG. 5 is an elevational view of the opposite end thereof.

FIG. 6 is a left side elevational view thereof, the right side
elevational view being a mirror image of the left side view.

1 Claim, 2 Drawing Sheets

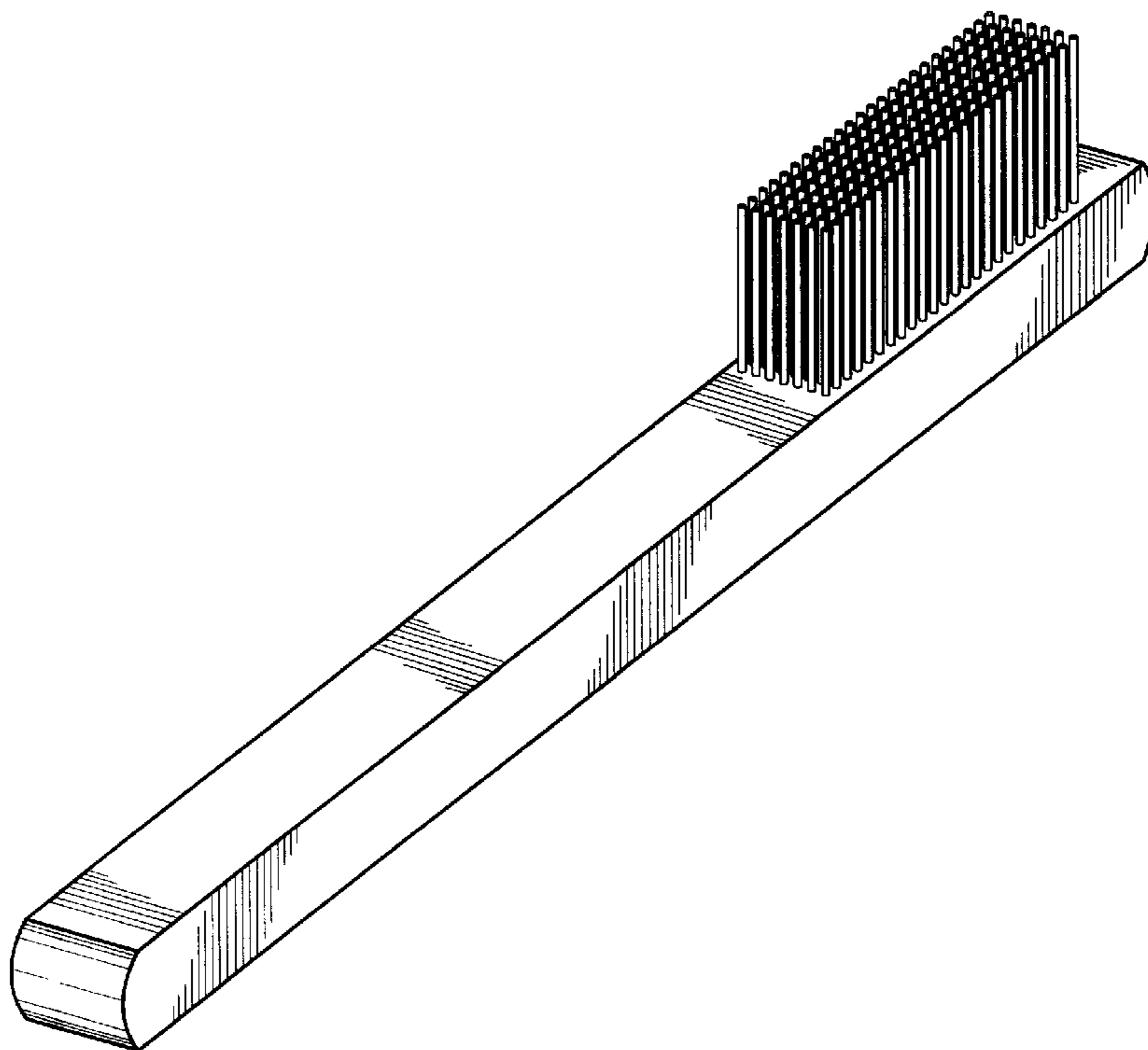


FIG. 1

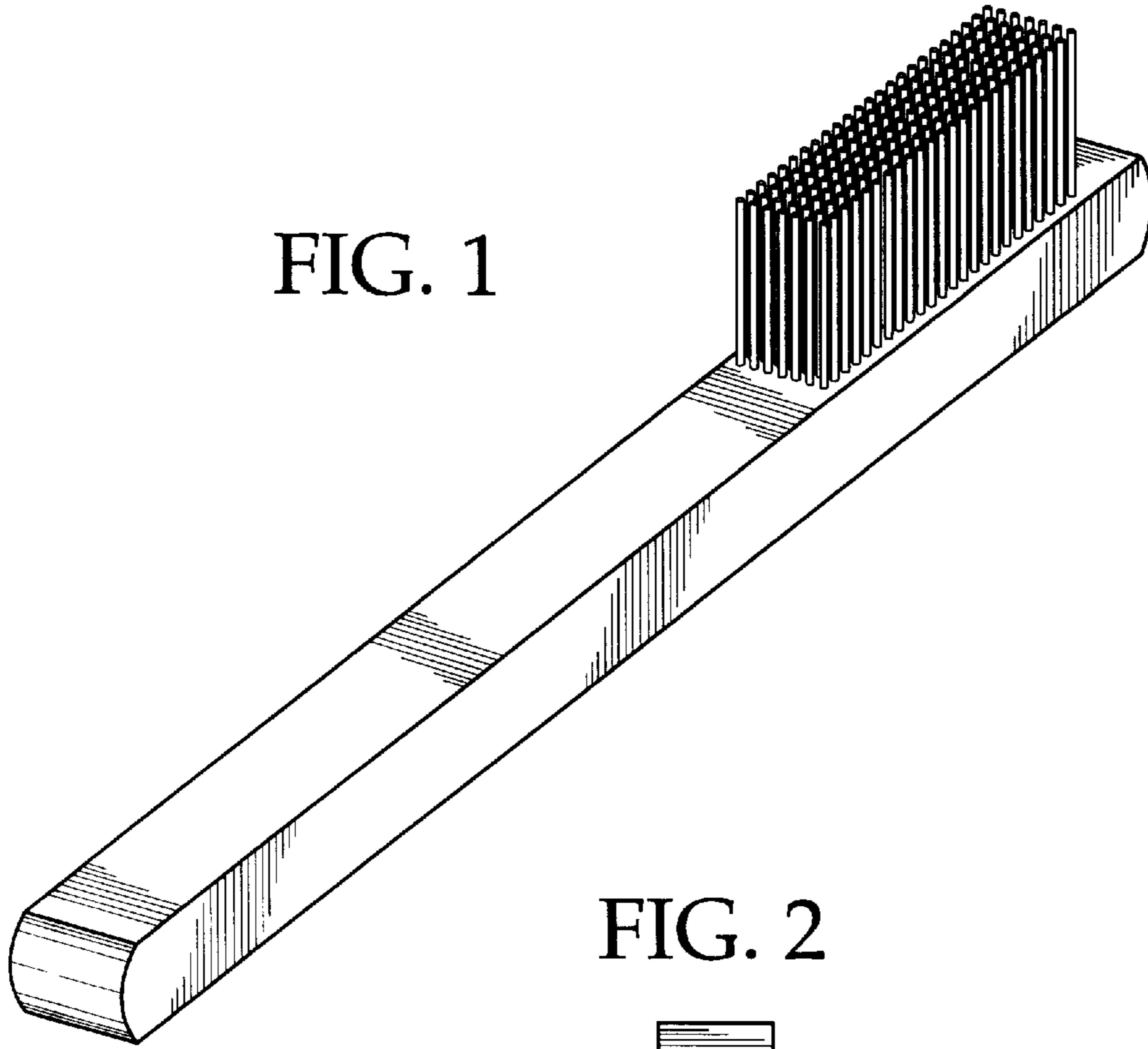


FIG. 2

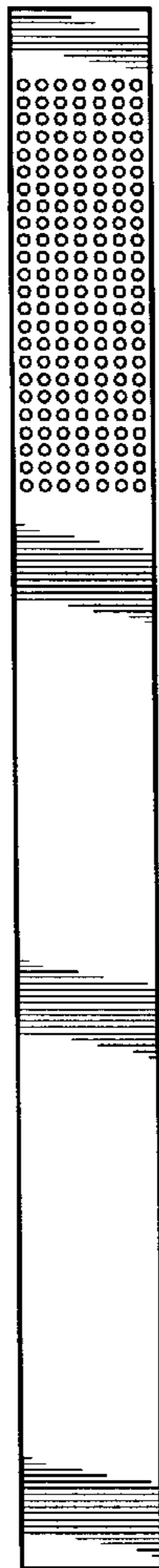
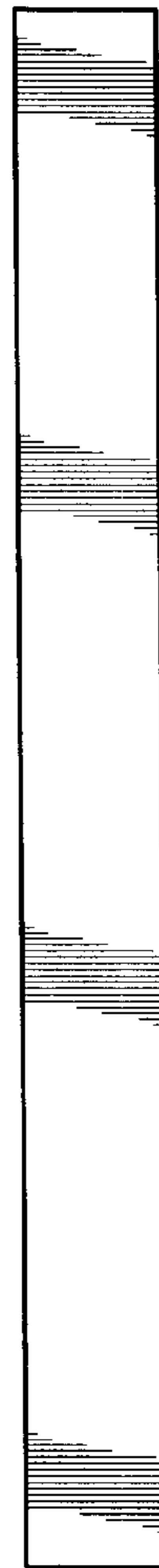


FIG. 3



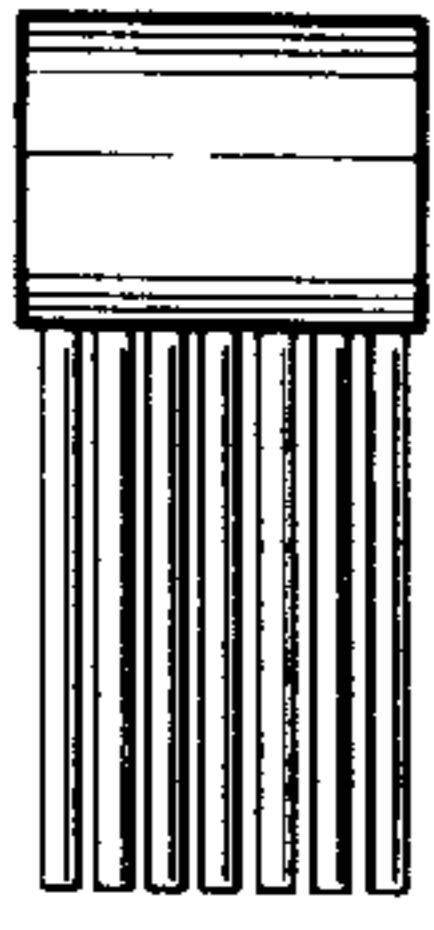


FIG. 4

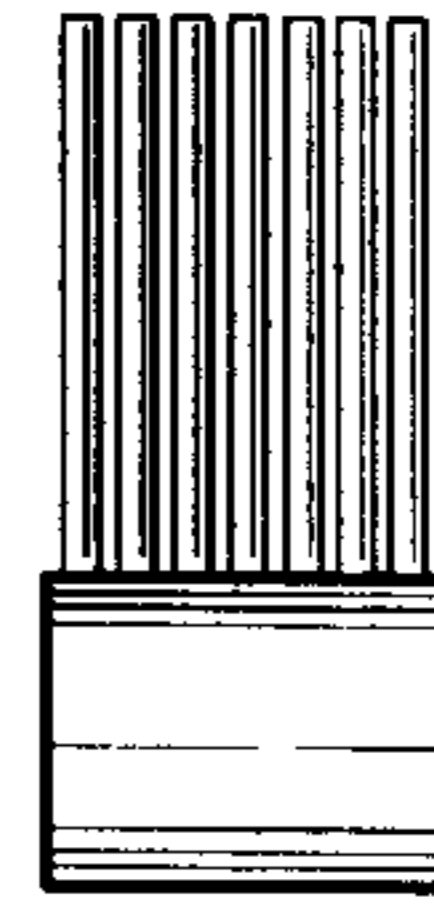


FIG. 5

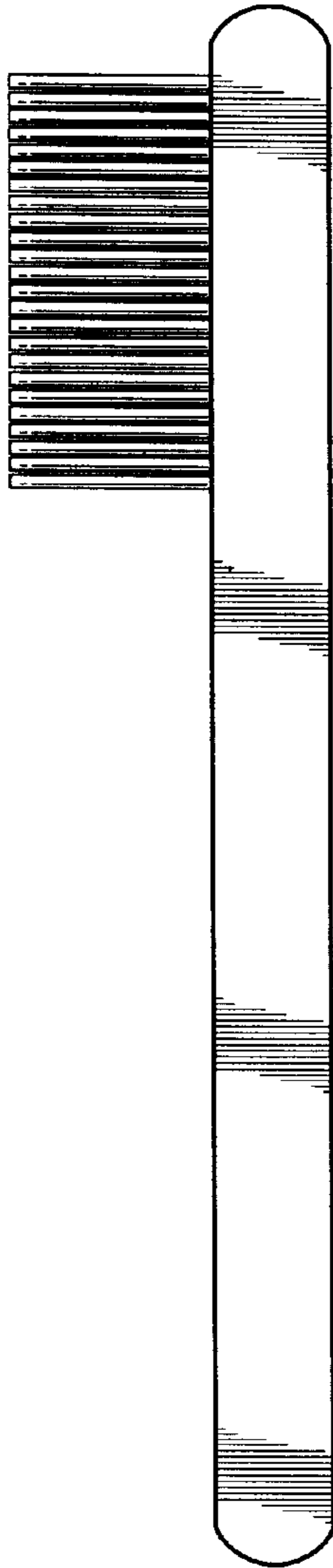


FIG. 6