



US00D424304S

United States Patent [19]
Suzuki

[11] **Patent Number: Des. 424,304**

[45] **Date of Patent: ** May 9, 2000**

[54] **BRUSH CLOCK**

5,333,343 8/1994 Nichols et al. 15/184 X

[75] Inventor: **Hitoshi Suzuki**, Tokyo, Japan

Primary Examiner—Alan P. Douglas
Assistant Examiner—Lavone D. Tabor
Attorney, Agent, or Firm—Salter & Michaelson

[73] Assignee: **Hiromori, Inc.**, Tokyo, Japan

[**] Term: **14 Years**

[57] **CLAIM**

[21] Appl. No.: **29/107,062**

The ornamental design for a brush clock, as shown and described.

[22] Filed: **Jun. 24, 1999**

DESCRIPTION

[51] **LOC (7) Cl.** **04-01**

FIG. 1 is a front elevational view of a brush clock showing my new design;

[52] **U.S. Cl.** **D4/116; D4/121; D10/2**

FIG. 2 is a rear elevational view thereof;

[58] **Field of Search** D4/116, 121, 124, D4/130, 132, 135; D10/1, 2, 15, 28, 6, 18; 15/105, 159.1, 160, 184, 186-187, 191.1; 368/10, 277, 278

FIG. 3 is a top plan view thereof;

FIG. 4 is a bottom plan view thereof.

FIG. 5 is a left side elevational view thereof;

FIG. 6 is a right side elevational view thereof;

FIG. 7 is a perspective view thereof; and,

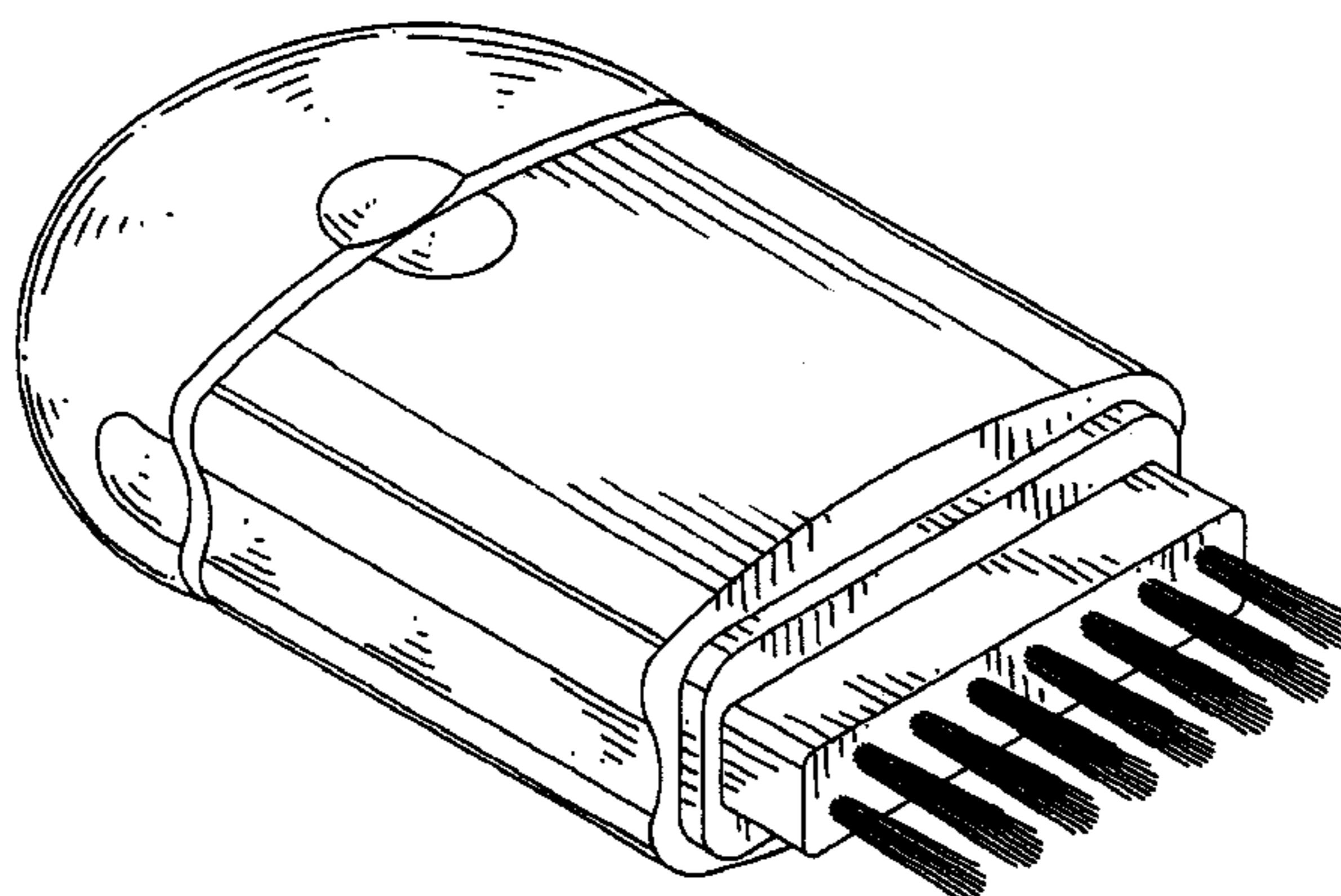
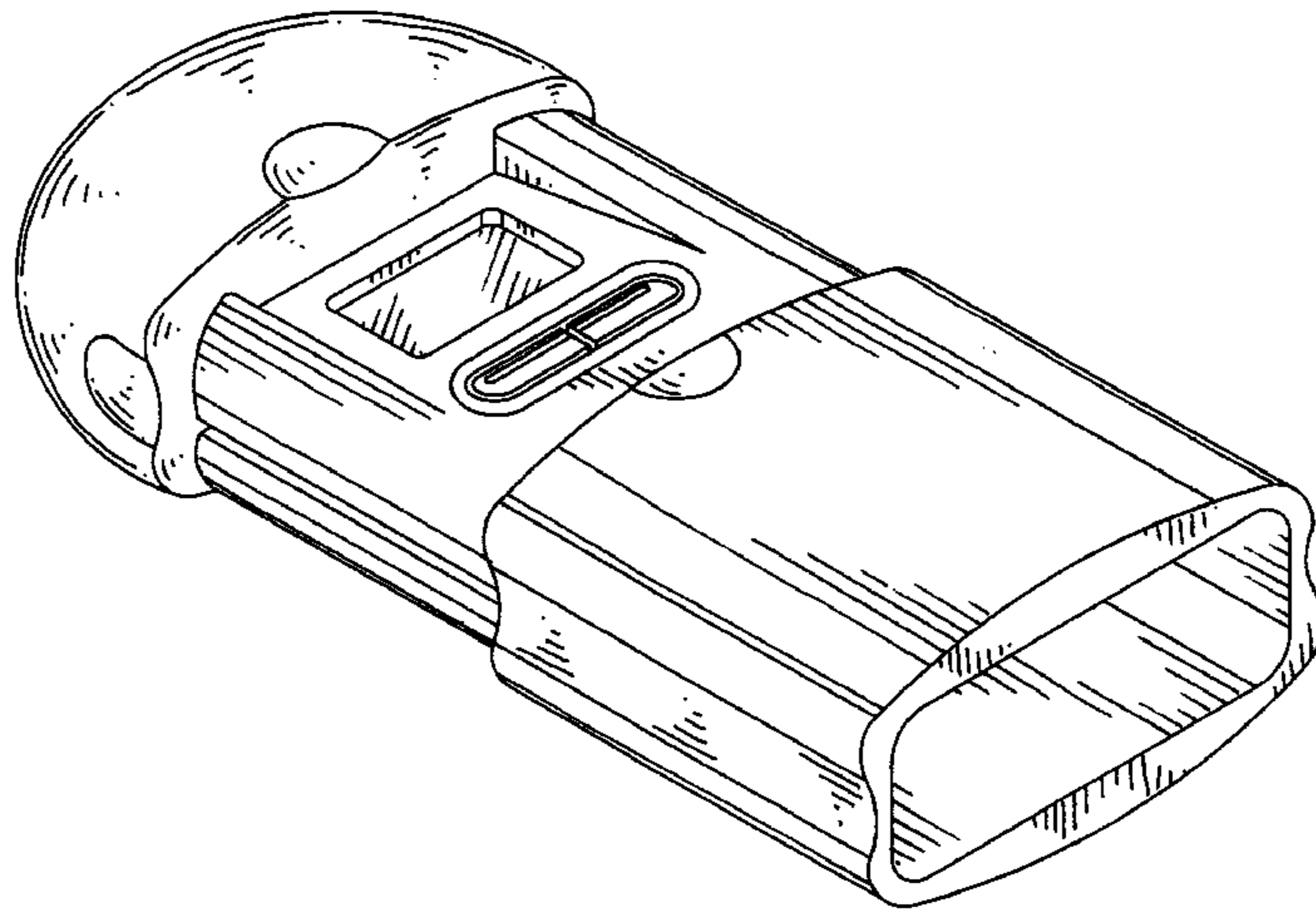
FIG. 8 is a front, left side, and bottom perspective view thereof with the brush portion exposed, the rear and right side of FIG. 8 being identical to the front and left side shown.

[56] **References Cited**

U.S. PATENT DOCUMENTS

D. 274,409	6/1984	Malamoud	D10/18
D. 337,528	7/1993	Hersch	D10/6
D. 357,420	4/1995	Wong	D10/18
1,387,063	8/1921	Matsugaki	15/184
2,674,001	4/1954	Abrams et al.	15/184

1 Claim, 3 Drawing Sheets



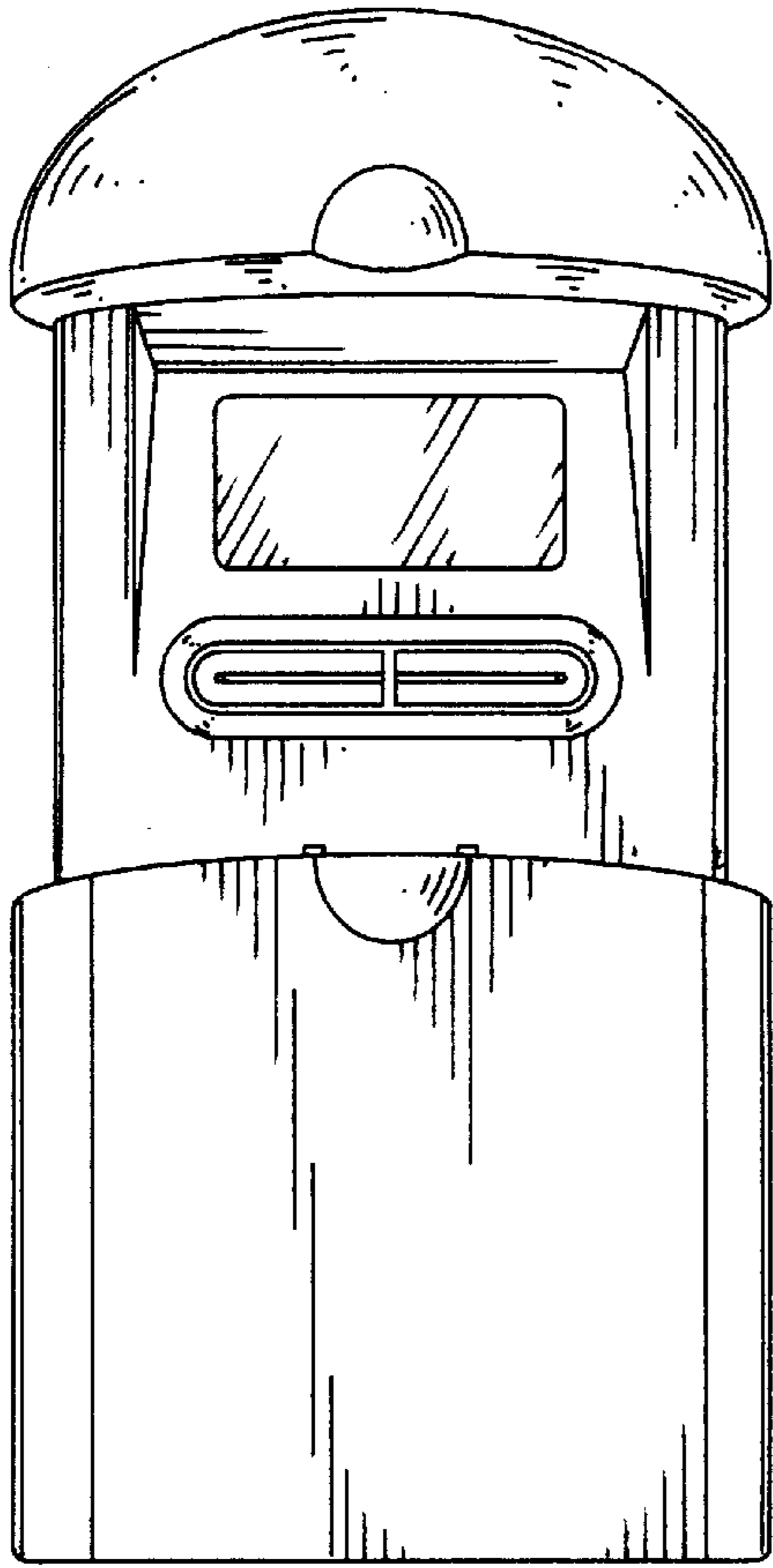


FIG. 1

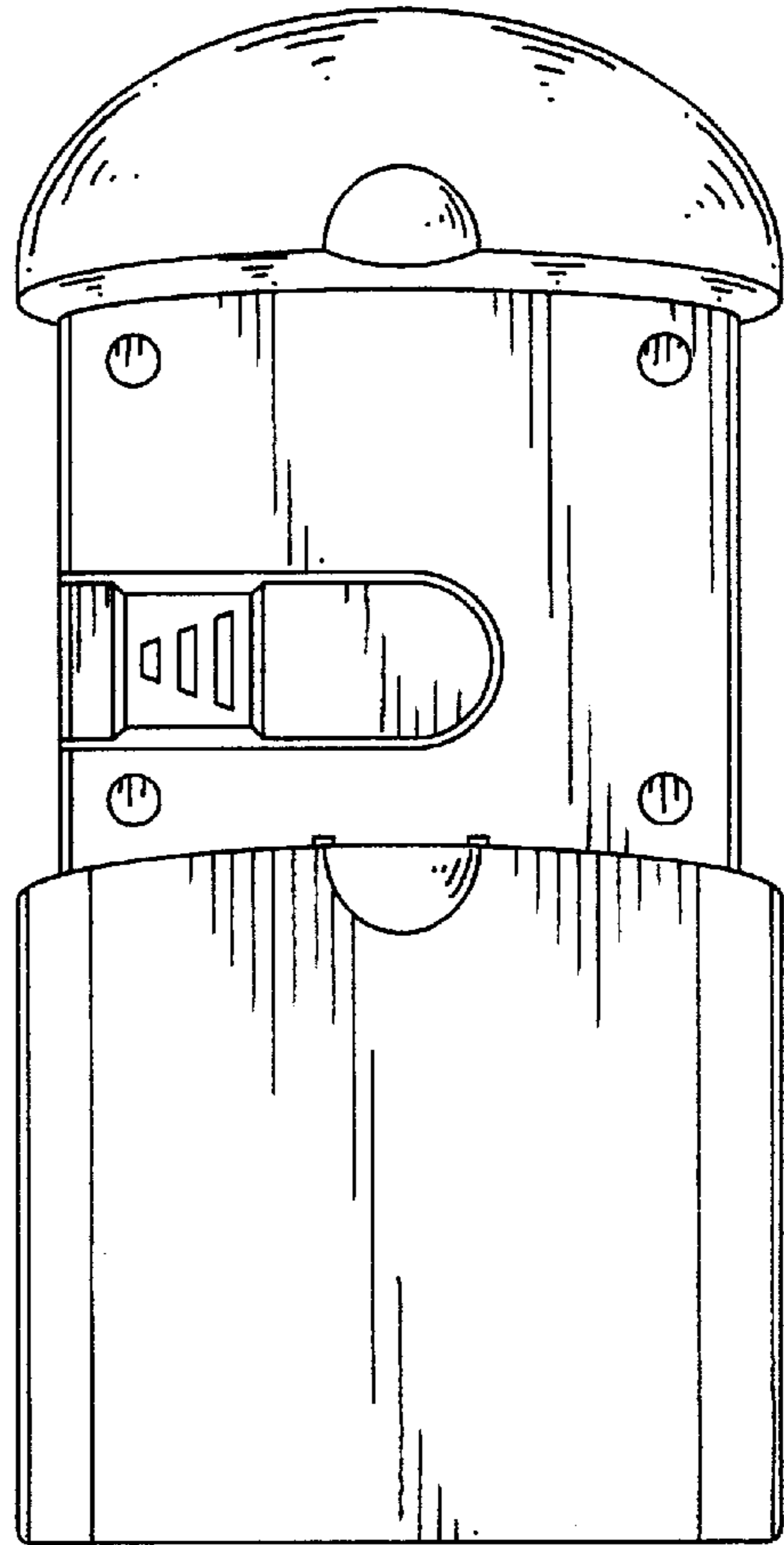


FIG. 2

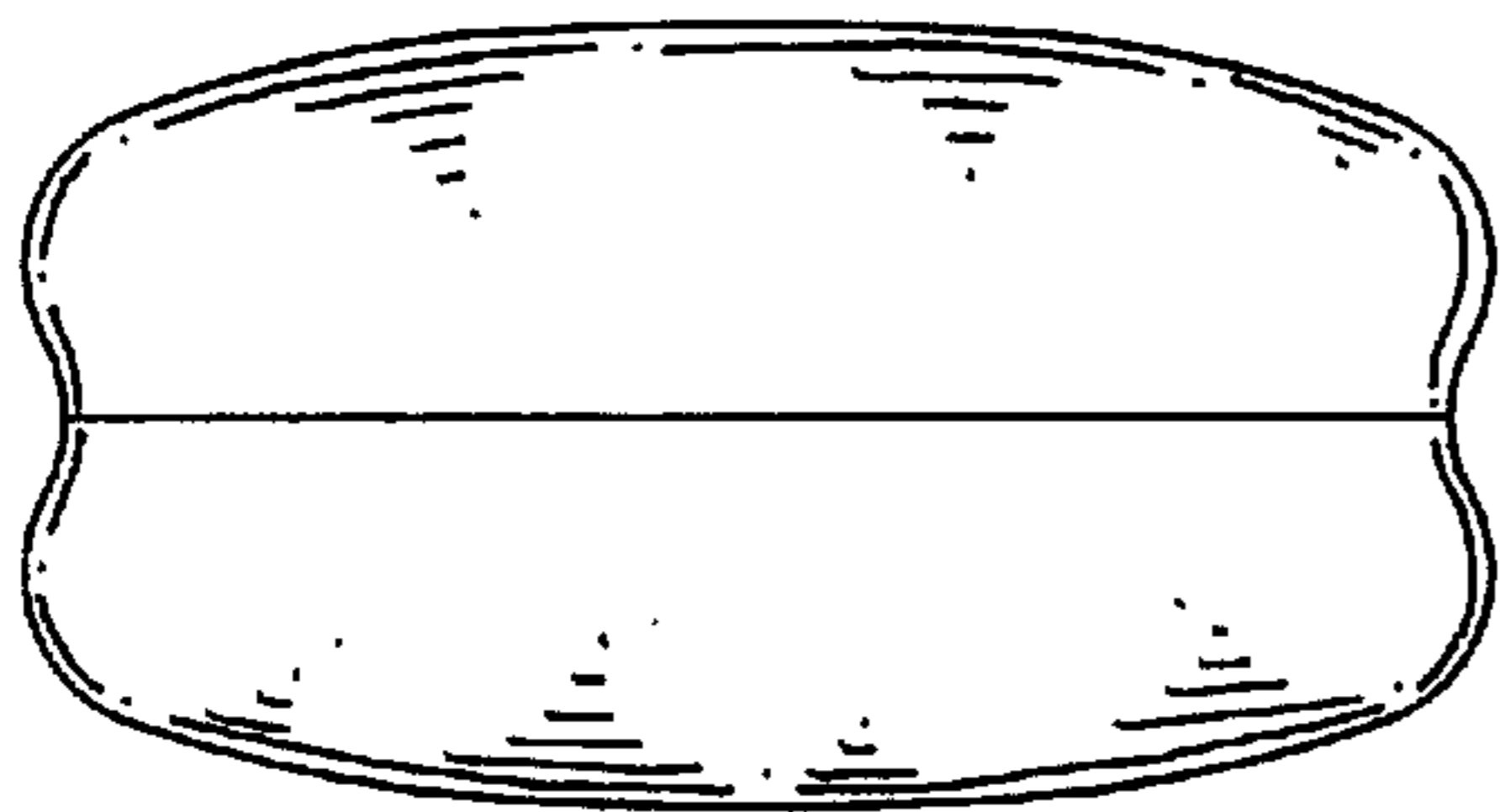


FIG. 3

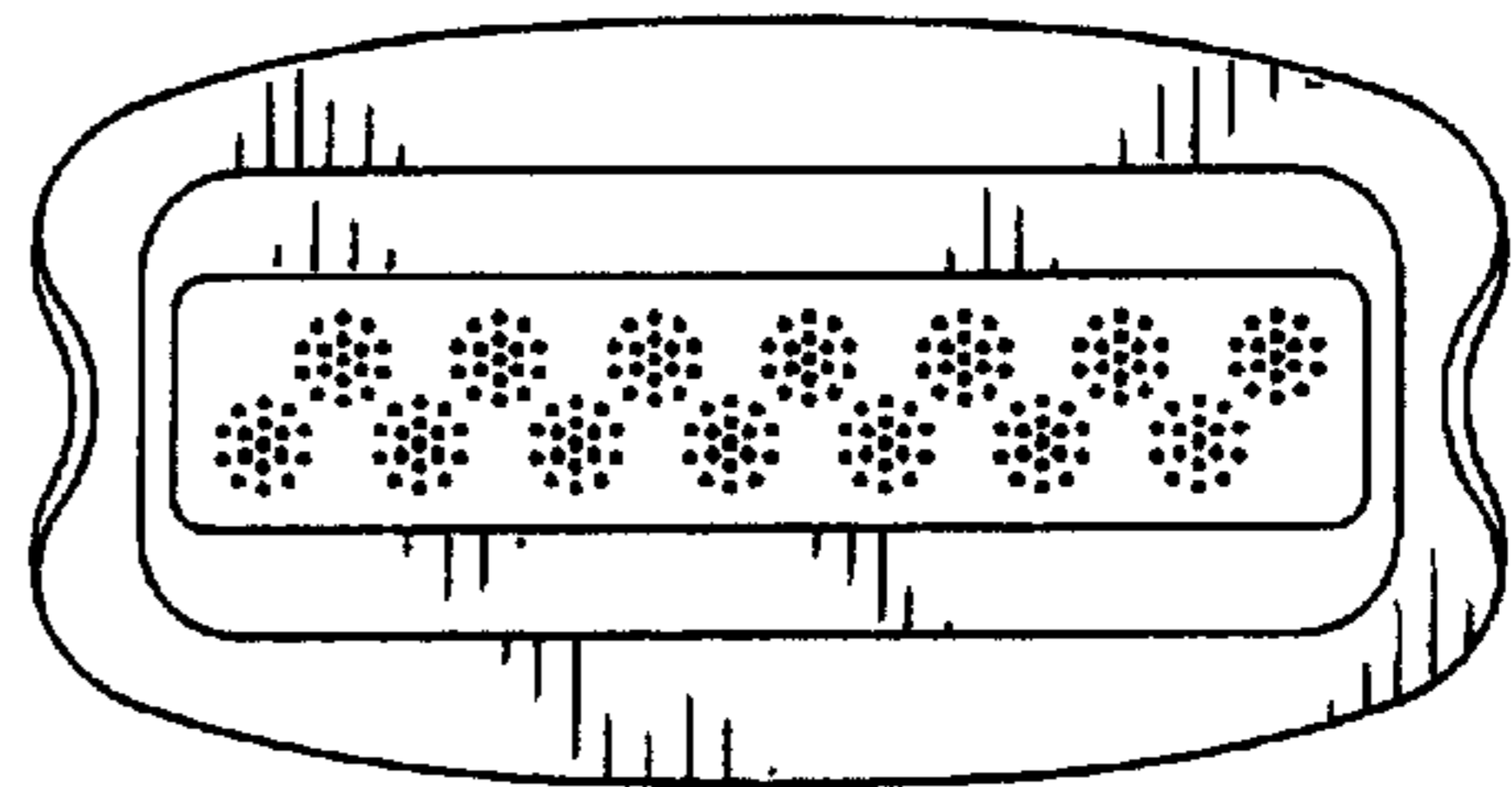


FIG. 4

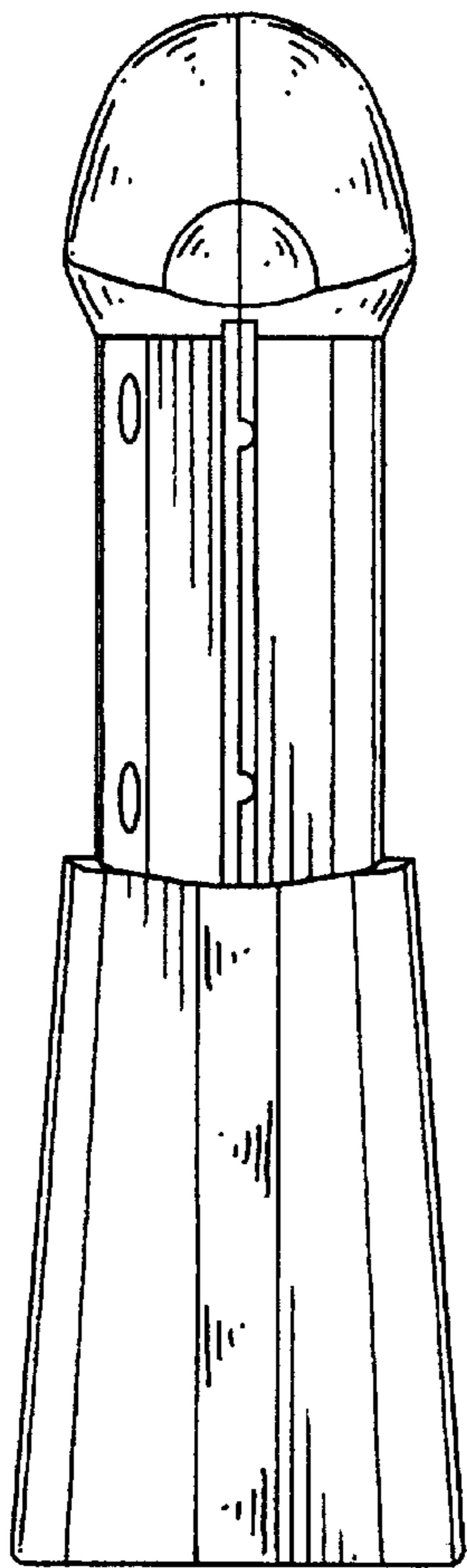


FIG. 5

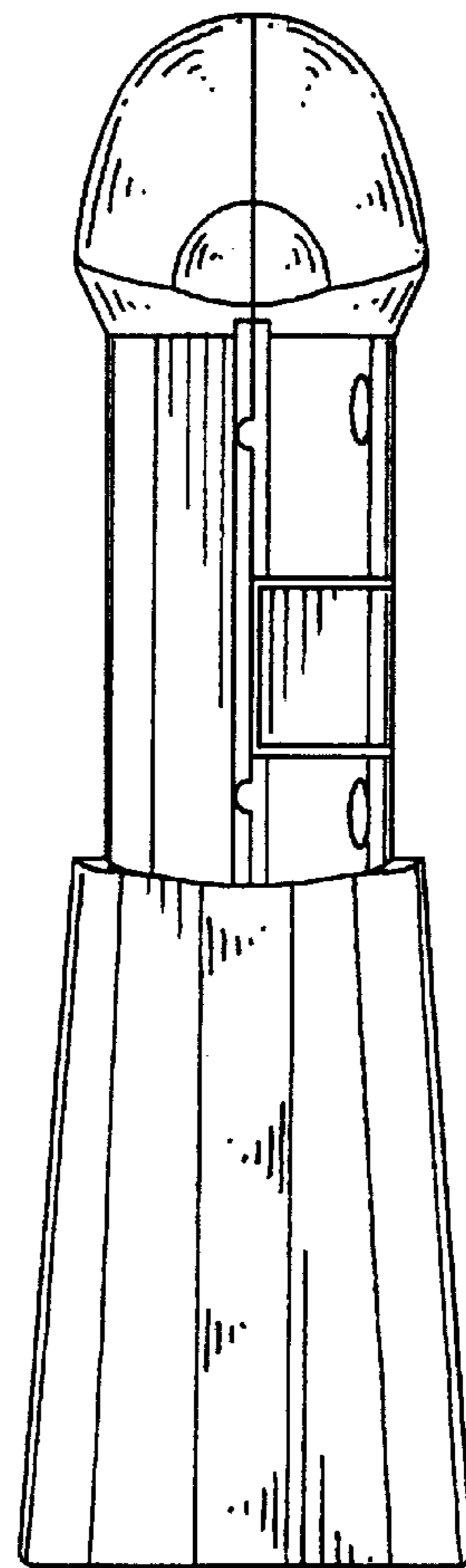


FIG. 6

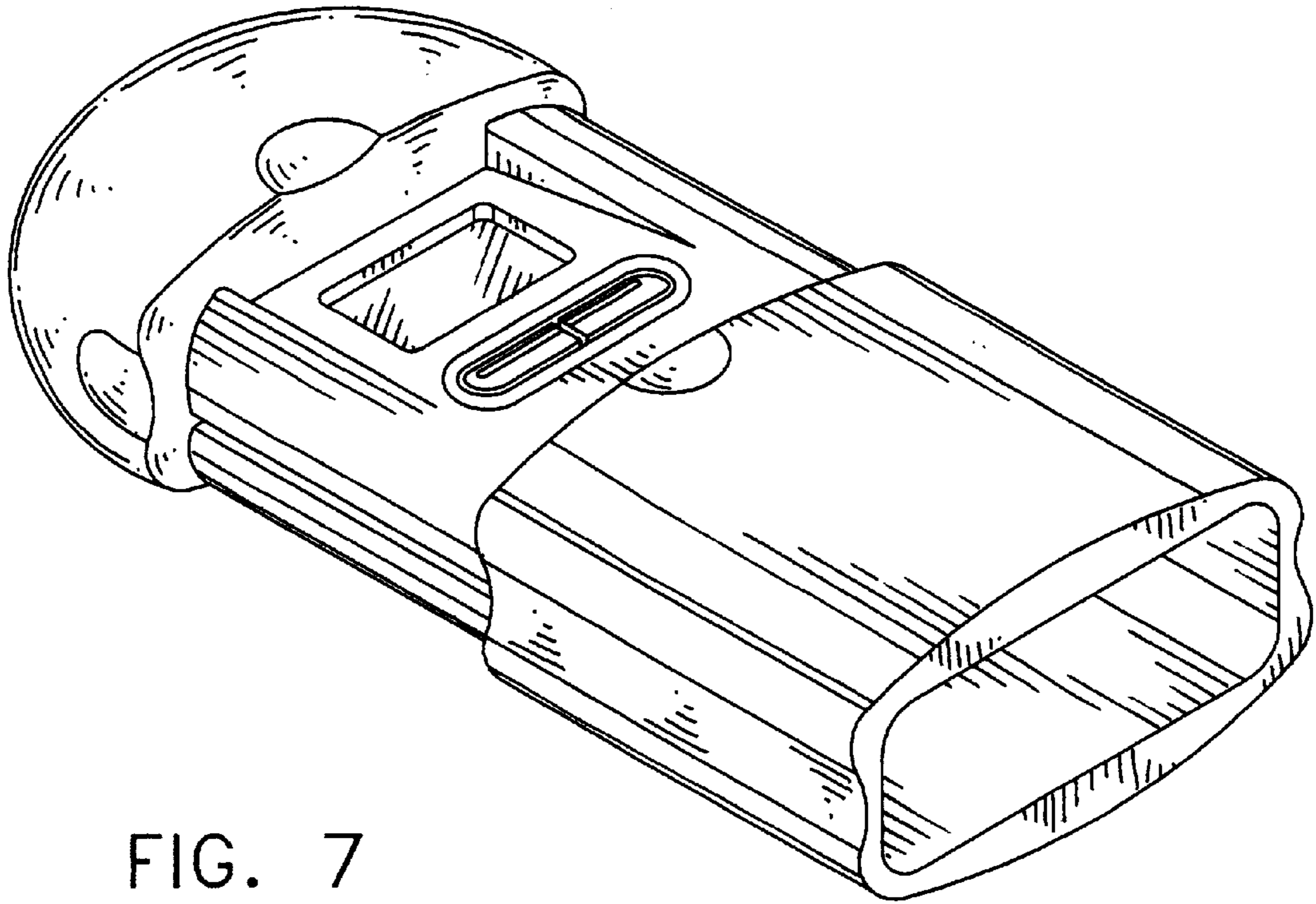


FIG. 7

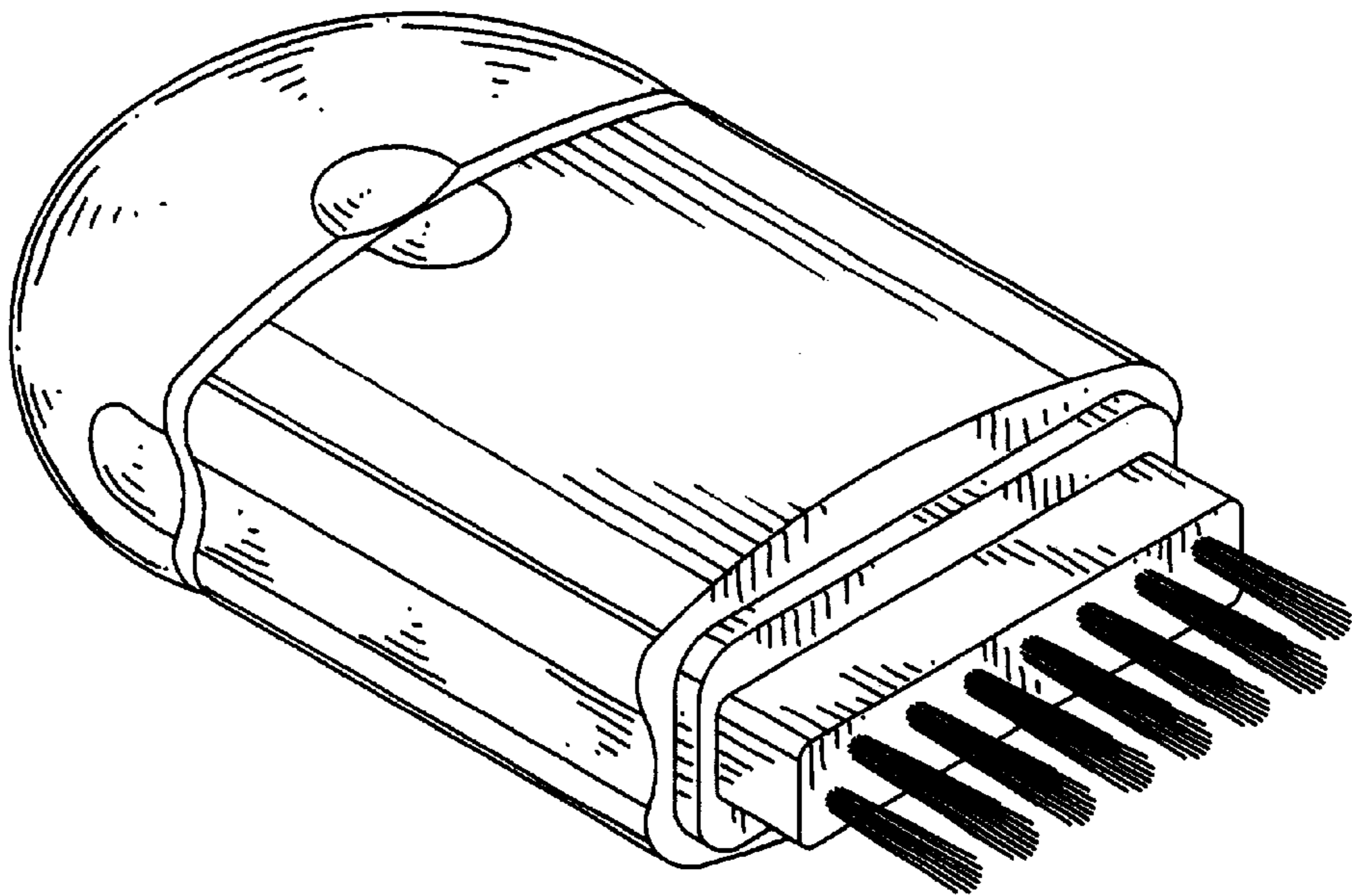


FIG. 8