



US00D424301S

United States Patent [19] Swierz

[11] **Patent Number: Des. 424,301**
[45] **Date of Patent: ** May 9, 2000**

[54] **LUGGAGE STRAP SHOULDER PAD**
[76] Inventor: **Jeffery A. Swierz**, One River Dr.,
Merritt, Mich. 49667
[**] Term: **14 Years**
[21] Appl. No.: **29/103,773**
[22] Filed: **Apr. 20, 1999**
[51] **LOC (7) Cl. 03-99**
[52] **U.S. Cl. D3/327**
[58] **Field of Search** D3/327, 318, 328,
D3/322, 287, 290, 214, 216, 218, 254,
255, 256, 289, 315; 190/127, 124; 206/28 D;
2/305, 337, 338, 459, 460, 461; 224/264,
901; D2/639

5,292,044 3/1994 Reimers 224/264
5,388,743 2/1995 Silagy D3/327
5,441,188 8/1995 Rosenstein .
5,507,422 4/1996 Shields .
5,765,735 6/1998 Kimchi et al. 224/264

Primary Examiner—Louis S. Zarfes
Assistant Examiner—Robert A. Delehanty
Attorney, Agent, or Firm—Reising, Ethington, Barnes,
Kisselle, Learman & McCulloch, P.C.

[56] **References Cited**

U.S. PATENT DOCUMENTS

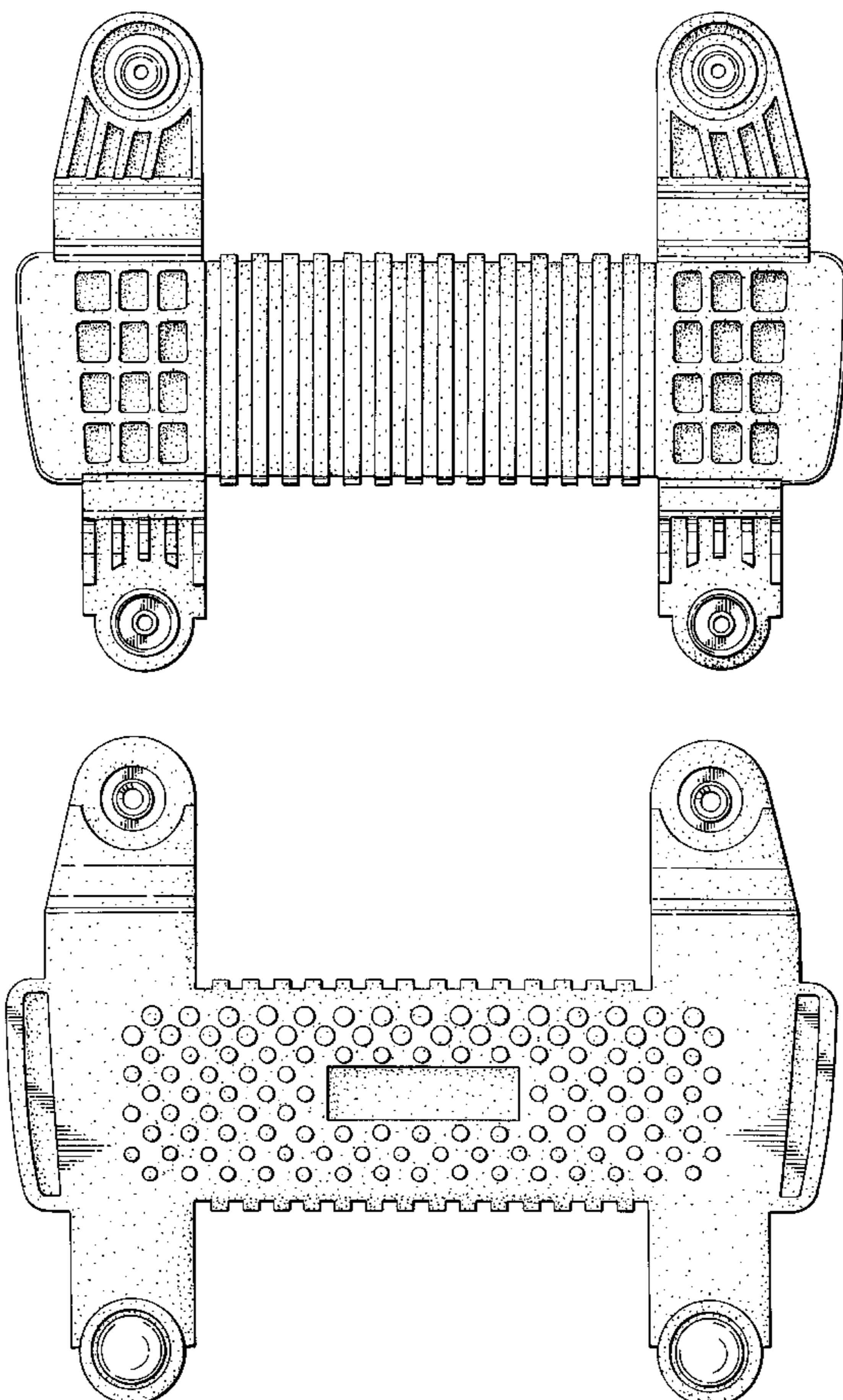
D. 275,153	8/1984	Weinreb	D3/327
D. 337,197	7/1993	Krutsch et al.	D3/327
3,799,413	3/1974	McBain	.	
4,040,147	8/1977	King	.	
4,575,874	3/1986	Johnson	.	
4,879,768	11/1989	McClees et al.	.	
4,887,318	12/1989	Weinreb	.	
5,129,101	7/1992	Douglas	.	
5,159,715	11/1992	Jurga et al.	.	
5,250,345	10/1993	Chu	.	

[57] **CLAIM**
The ornamental design for a luggage strap shoulder pad, as shown and described.

DESCRIPTION

FIG. 1 is a plan view of the luggage strap shoulder pad with the luggage strap retainer bands in open positions;
FIG. 2 is a bottom plan view of the luggage strap shoulder pad shown in FIG. 1;
FIG. 3 is a left end view of the luggage strap shoulder pad shown in FIG. 1;
FIG. 4 is a right end view of the luggage strap shoulder pad shown in FIG. 1;
FIG. 5 is an outside side elevational view of the luggage strap shoulder pad shown in FIG. 1; and,
FIG. 6 is an inside side elevational view of the luggage strap shoulder pad shown in FIG. 1.

1 Claim, 3 Drawing Sheets



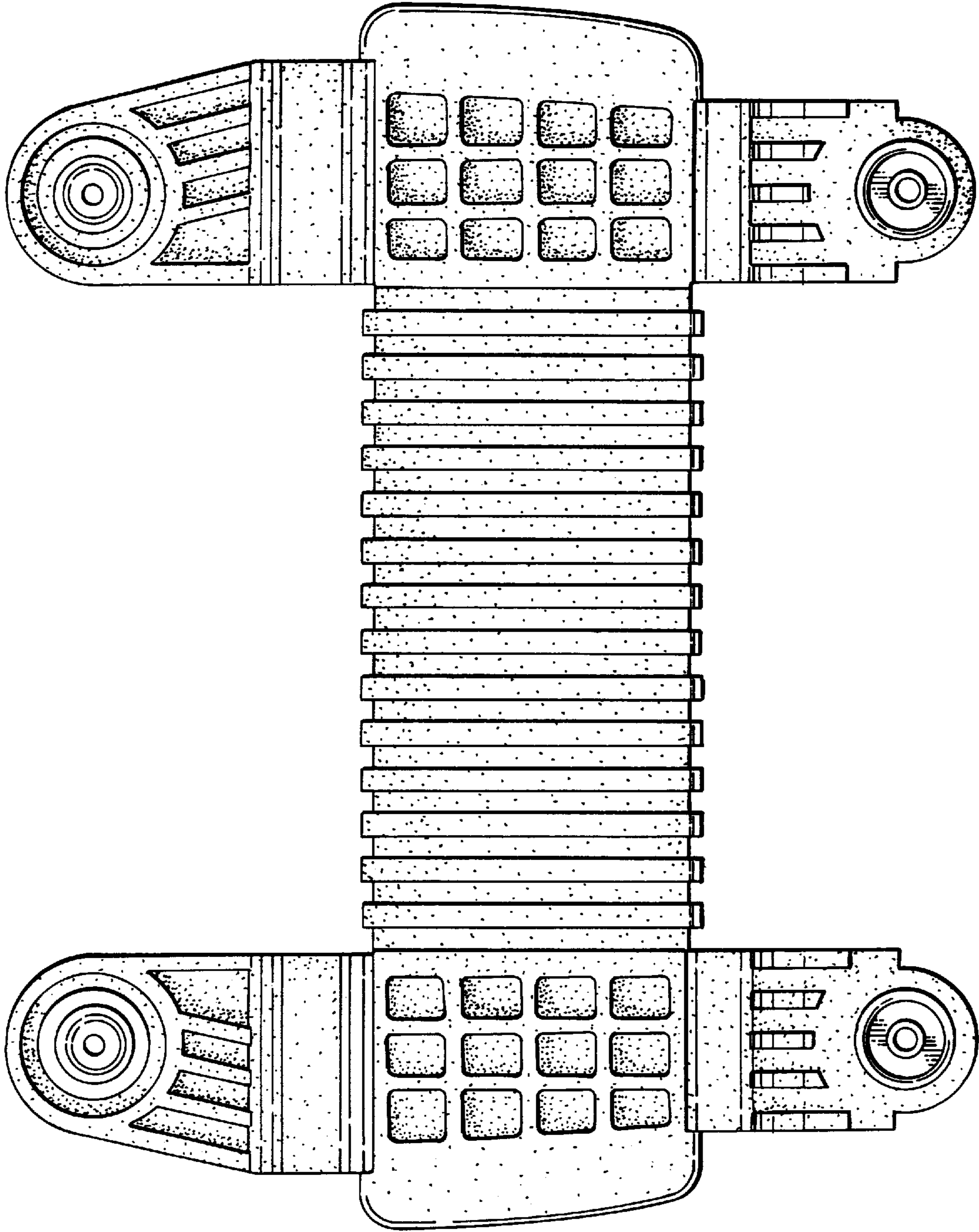


FIG - 1

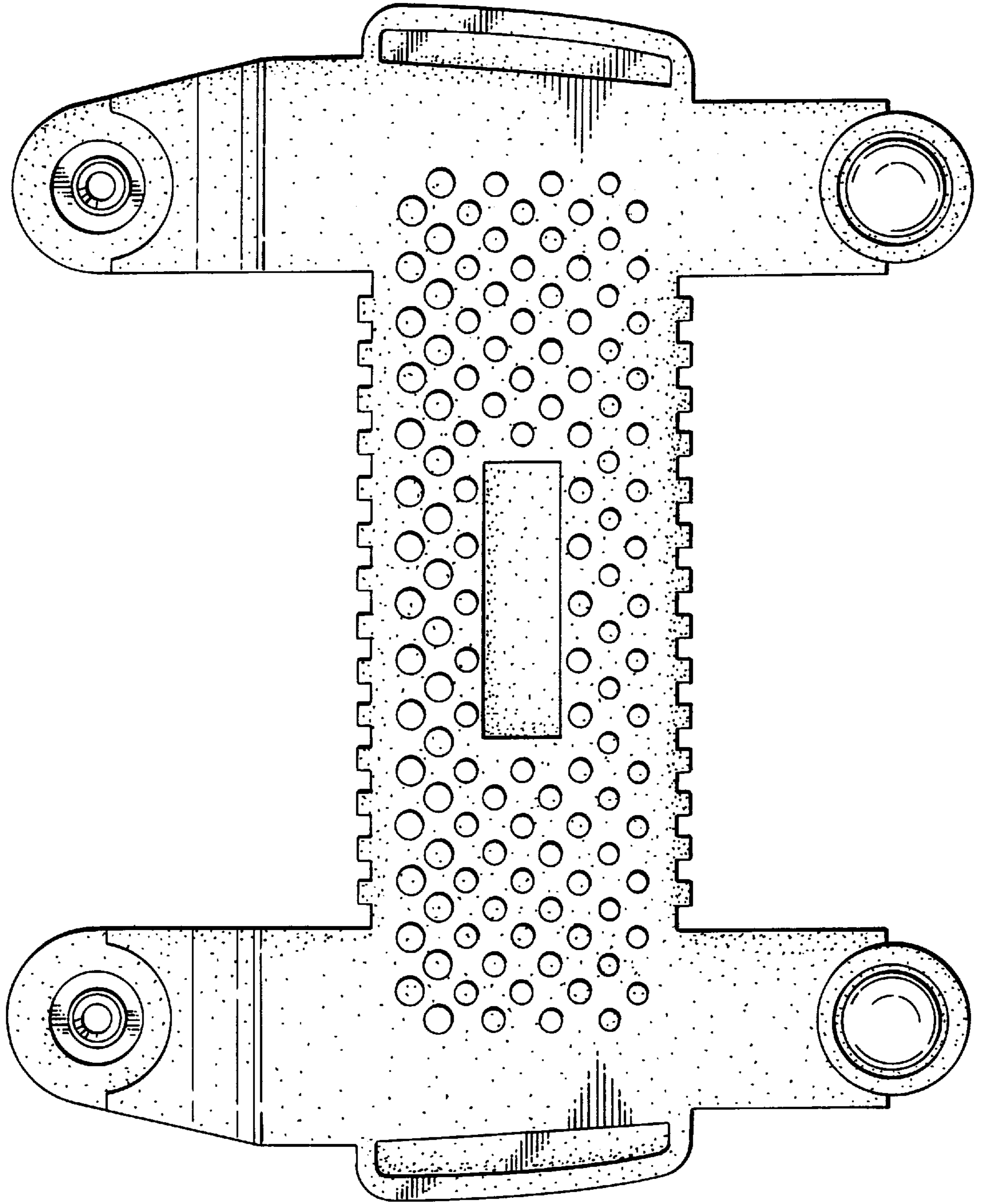


FIG - 2

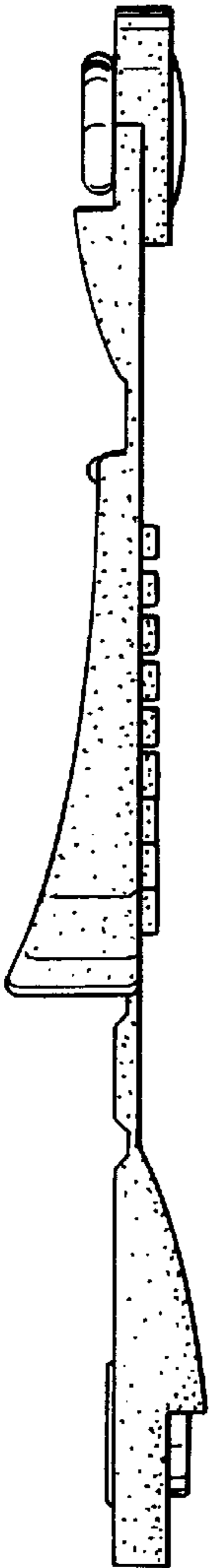


FIG-3

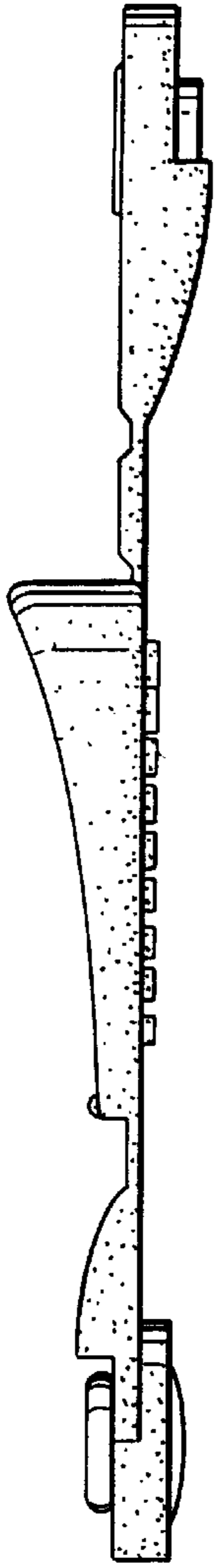


FIG-4

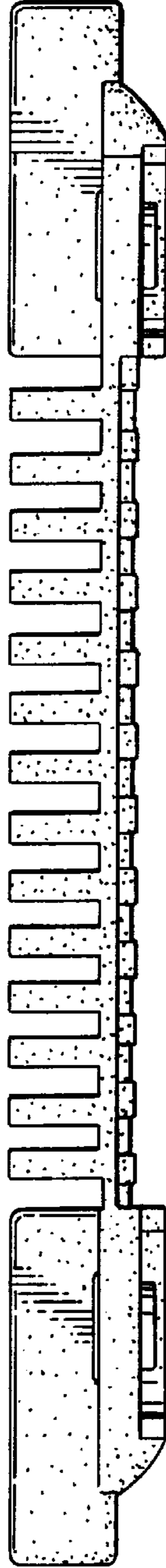


FIG-5

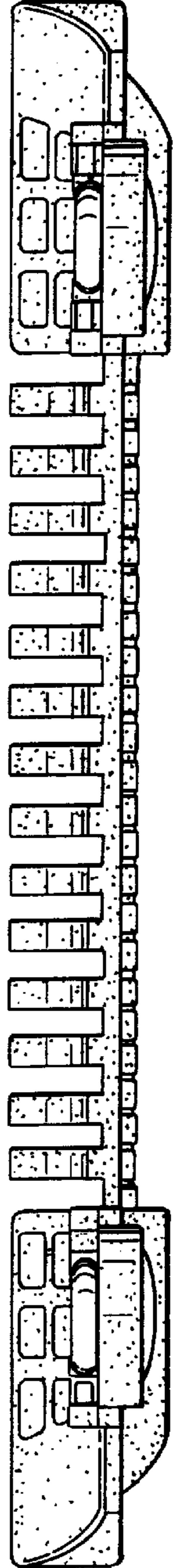


FIG-6