



US00D424297S

United States Patent [19]

[11] **Patent Number: Des. 424,297**

Story et al.

[45] **Date of Patent: ** May 9, 2000**

[54] STORAGE CHEST WITH MULTIPLE COMPARTMENTS

[75] Inventors: **Dave Story**, Bartlett; **Jon Fiscus**; **Shelley Nehrt**, both of Barrington, all of Ill.

[73] Assignee: **Stack-On Products Co.**, Wauconda, Ill.

[**] Term: **14 Years**

[21] Appl. No.: **29/080,759**

[22] Filed: **Dec. 15, 1997**

[51] **LOC (7) Cl.** **03-01**

[52] **U.S. Cl.** **D3/281; D3/276; D3/905**

[58] **Field of Search** **D3/273, 276, 281, D3/282, 905; D9/423, 424, 425; 206/349, 372, 373, 315.1, 315.11; 220/324, 326**

[56] **References Cited**

U.S. PATENT DOCUMENTS

D. 246,139	10/1977	Landell et al.	D3/905
D. 314,666	2/1991	Lanius	D3/281
D. 328,818	8/1992	Hanna et al.	D3/281
D. 332,524	1/1993	Gray et al.	D3/905
D. 361,659	8/1995	Kahl et al.	D3/905
D. 361,888	9/1995	Kahl et al.	D3/905
D. 378,874	4/1997	Dickinson et al.	D3/905
D. 379,266	5/1997	Dickinson et al.	D3/905

OTHER PUBLICATIONS

Rubbermaid Consumer Services Catalog, available at least as early as Dec., 1996.

Contico 1997 Consumer Products Catalog, available at least as early as Dec., 1996.

Zag Product Data 1995 Catalog, available at least as early as Dec., 1996.

Keter Plastic Catalog, available at least as early as Dec., 1996.

Stack-On Catalog, available at least as early as Dec., 1996.

Flambeau Catalog, available at least as early as Dec., 1996.

Keter Do It Yourself Catalog, available at least as early as Dec., 1996.

Contico Catalog, available at least as early as Dec., 1996.

Primary Examiner—Philip S. Hyder
Attorney, Agent, or Firm—Factor and Shaftal, LLC

[57] **CLAIM**

The ornamental design for a storage chest with multiple compartments, as described and shown.

DESCRIPTION

FIG. 1 is a perspective view showing the storage chest with multiple compartments of our new ornamental design;

FIG. 2 is a top plan view thereof;

FIG. 3 is a bottom view thereof;

FIG. 4 is a front elevational view thereof;

FIG. 5 is a rear elevational view thereof;

FIG. 6 is a right side elevation thereof, the opposite side elevation being a mirror image thereof;

FIG. 7 is a perspective thereof with the handle in a raised configuration with the right top lid in an open configuration, showing an inner tray, the opposite side top lid and inner tray region being identical thereto;

FIG. 8 is a front elevation thereof with the right top lid in an open configuration;

FIG. 9 is a top plan view with the handle in a raised configuration and with the right top lid and the center top lid in an open configuration;

FIG. 10 is a right side elevation thereof with the handle in a raised configuration and with the right top lid and the center top lid in an open configuration;

FIG. 11 is a perspective of an alternative embodiment of the storage chest with multiple compartments, having only a left top and right top lid and no center lid;

FIG. 12 is a top plan view of the alternative embodiment of the storage chest with multiple compartments of FIG. 11; and,

FIG. 13 is a front elevation of the alternative embodiment of the storage chest with multiple compartments of FIG. 11.

The bottom, rear and side views of the alternate embodiment of the storage chest with multiple compartments are identical to the corresponding views of the preferred embodiment of the design as disclosed in FIGS. 3, 5 and 6.

1 Claim, 4 Drawing Sheets

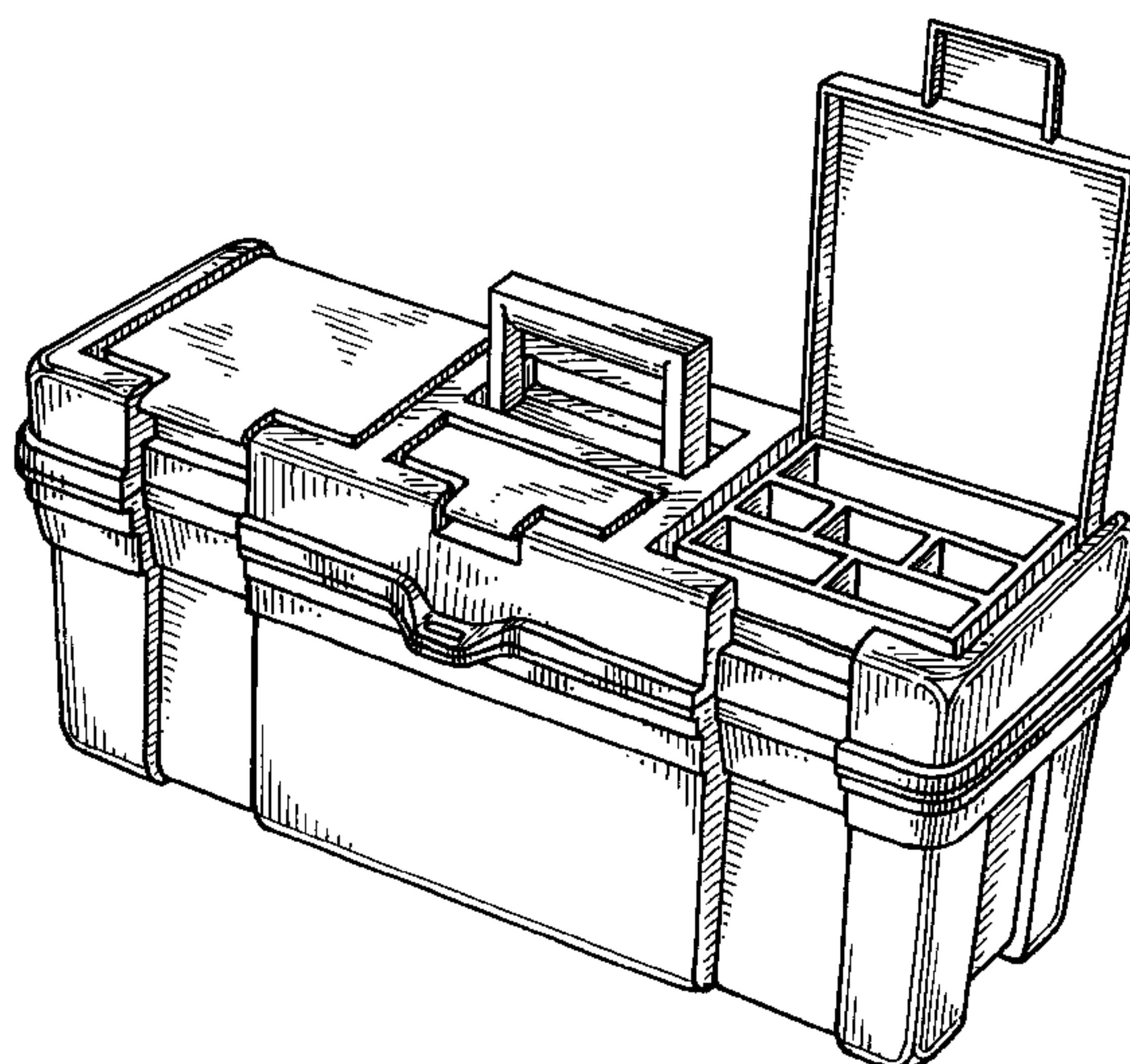


Fig 1

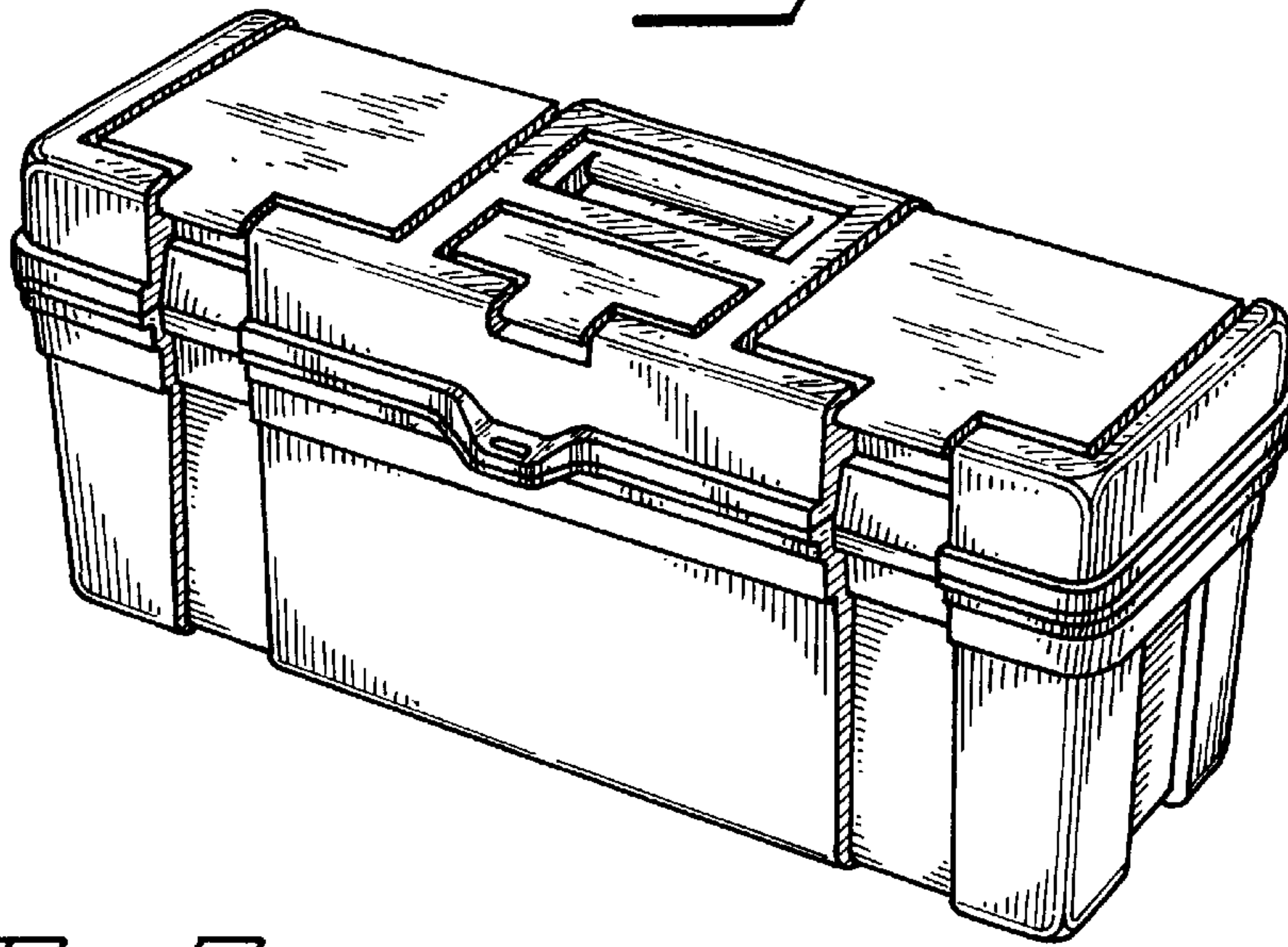


Fig 2

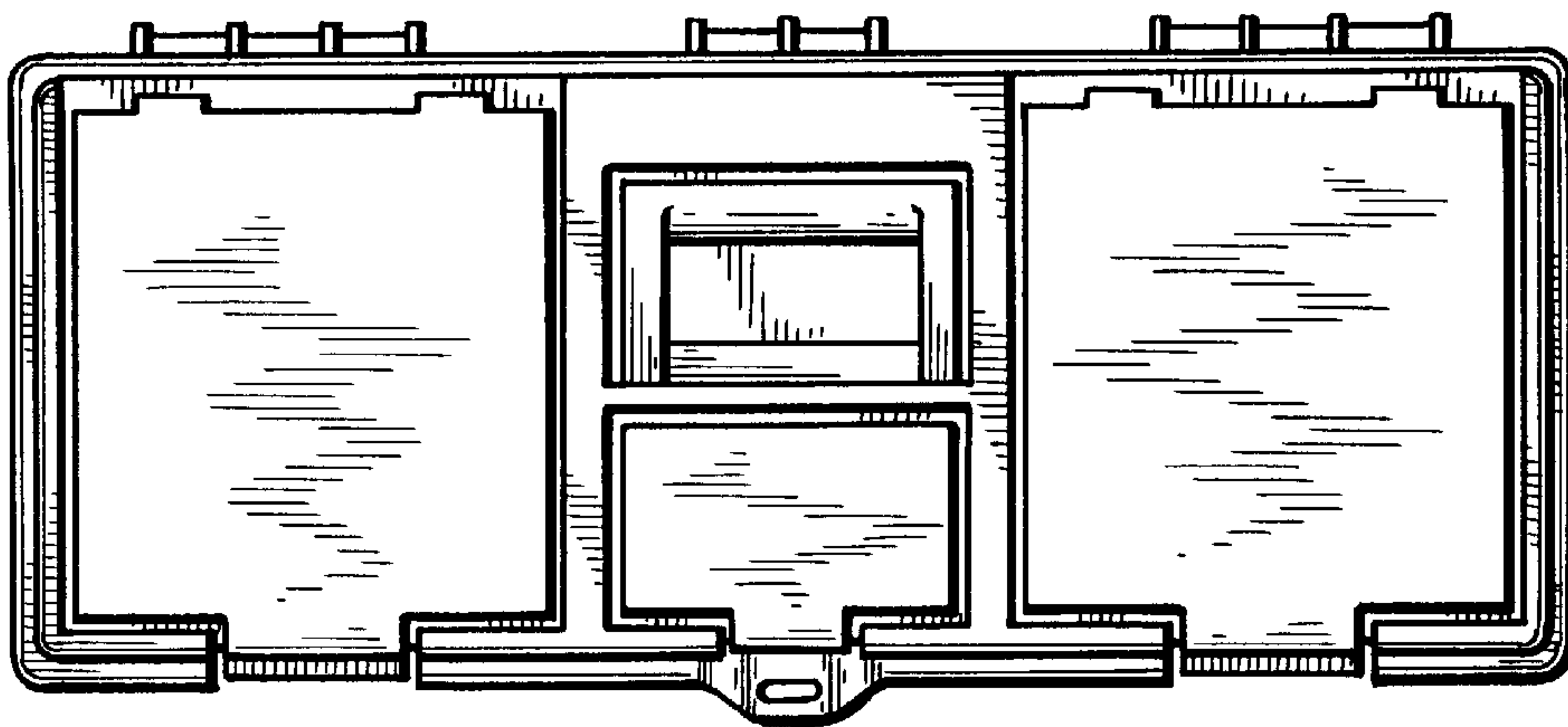


Fig 3

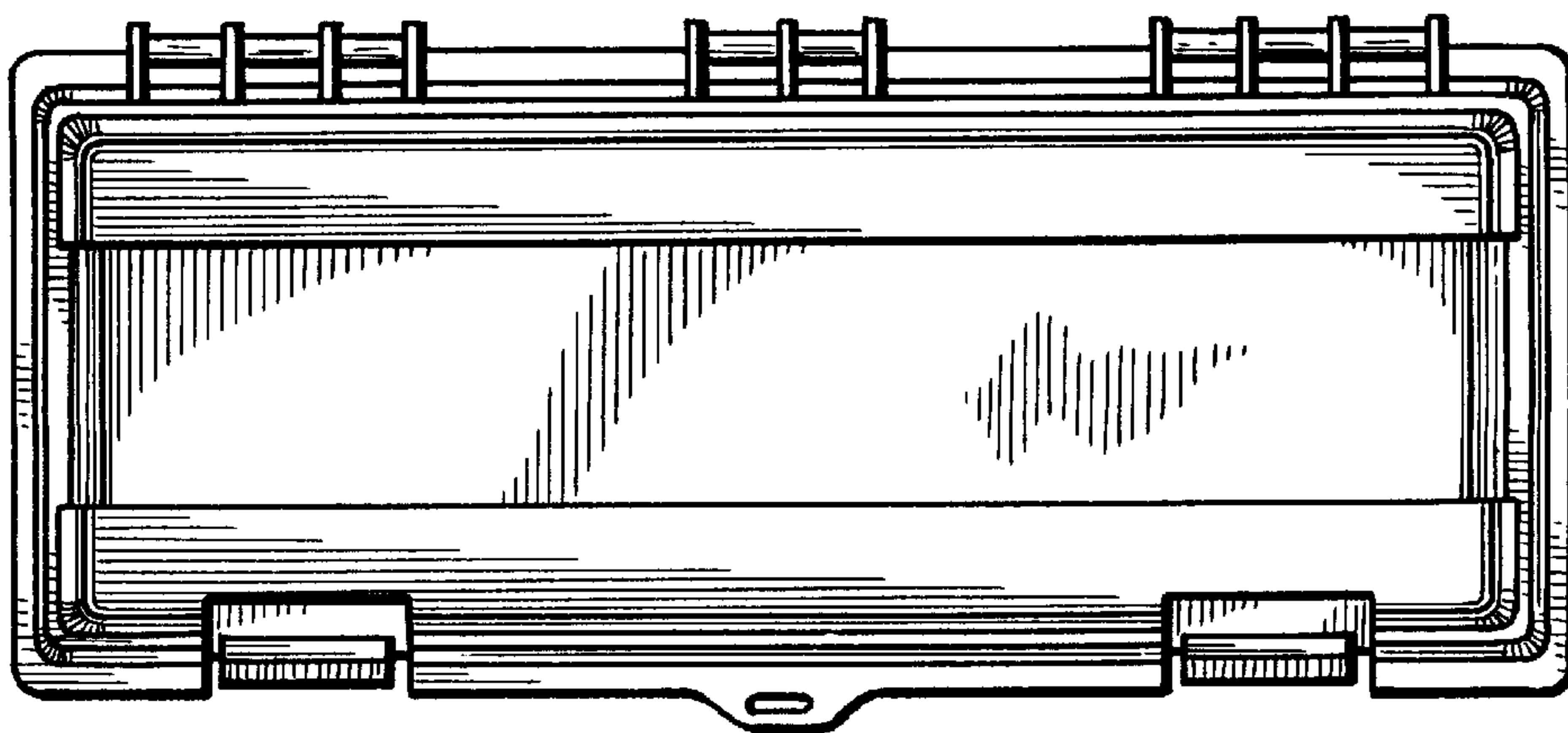


Fig 4

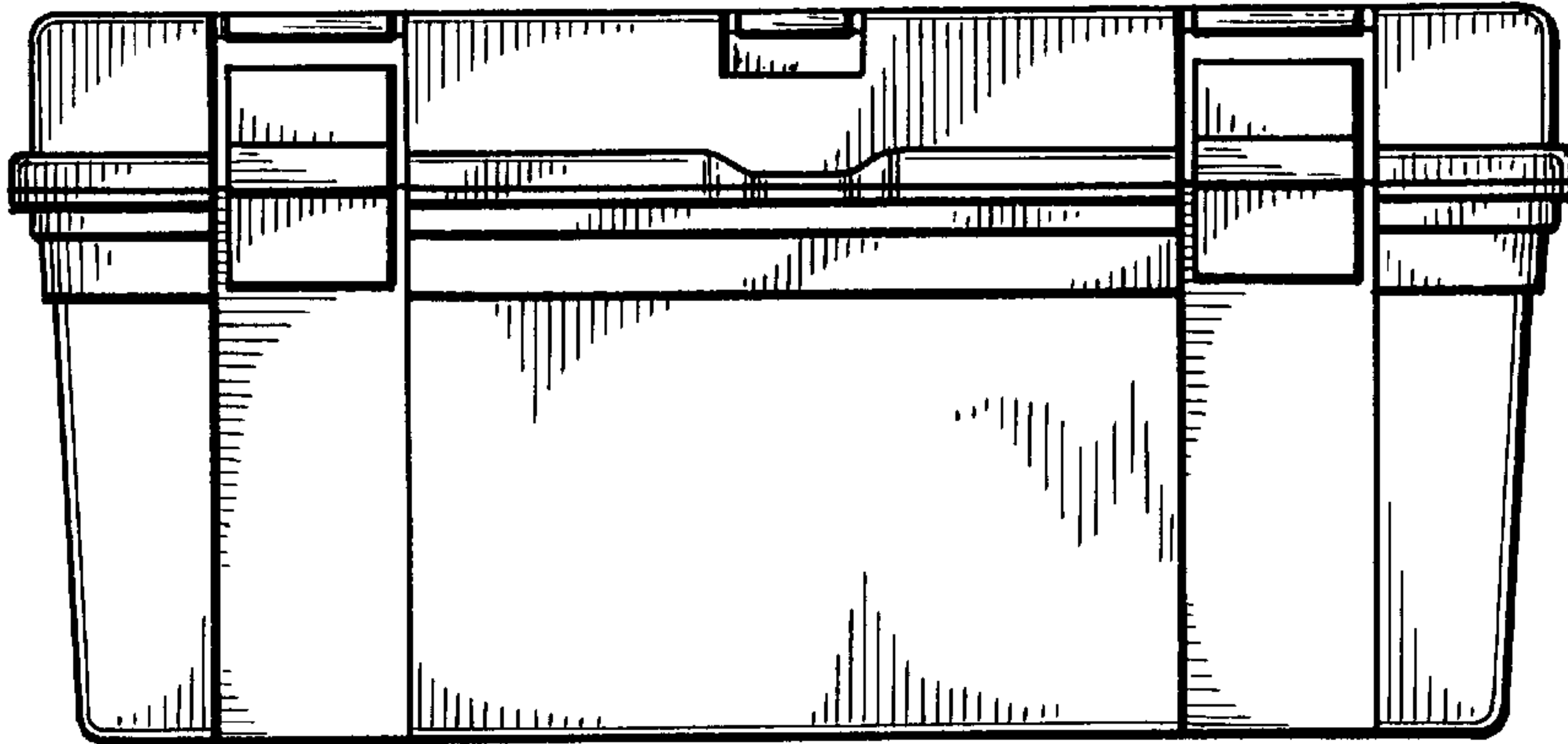


Fig 5

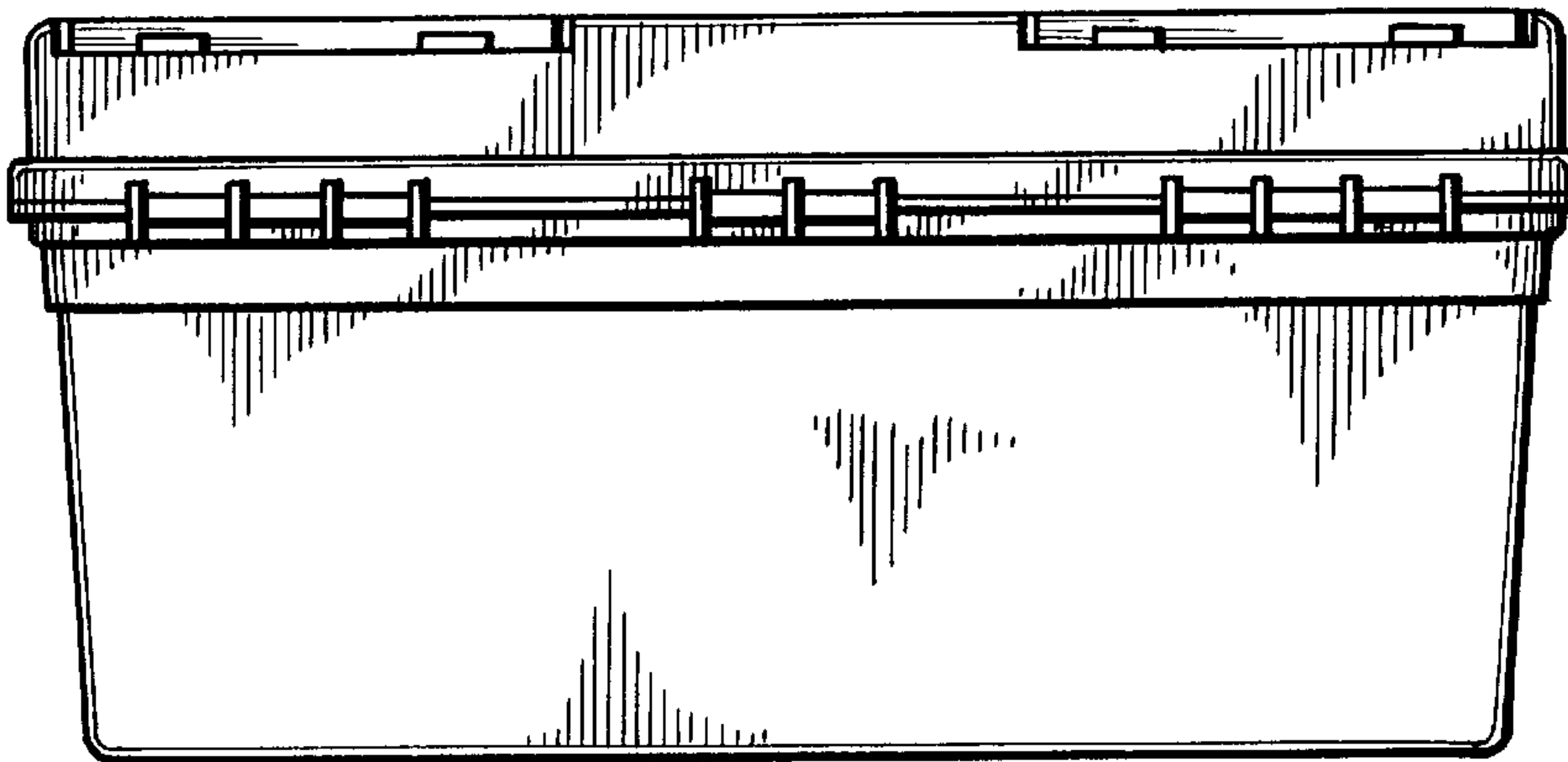


Fig 7

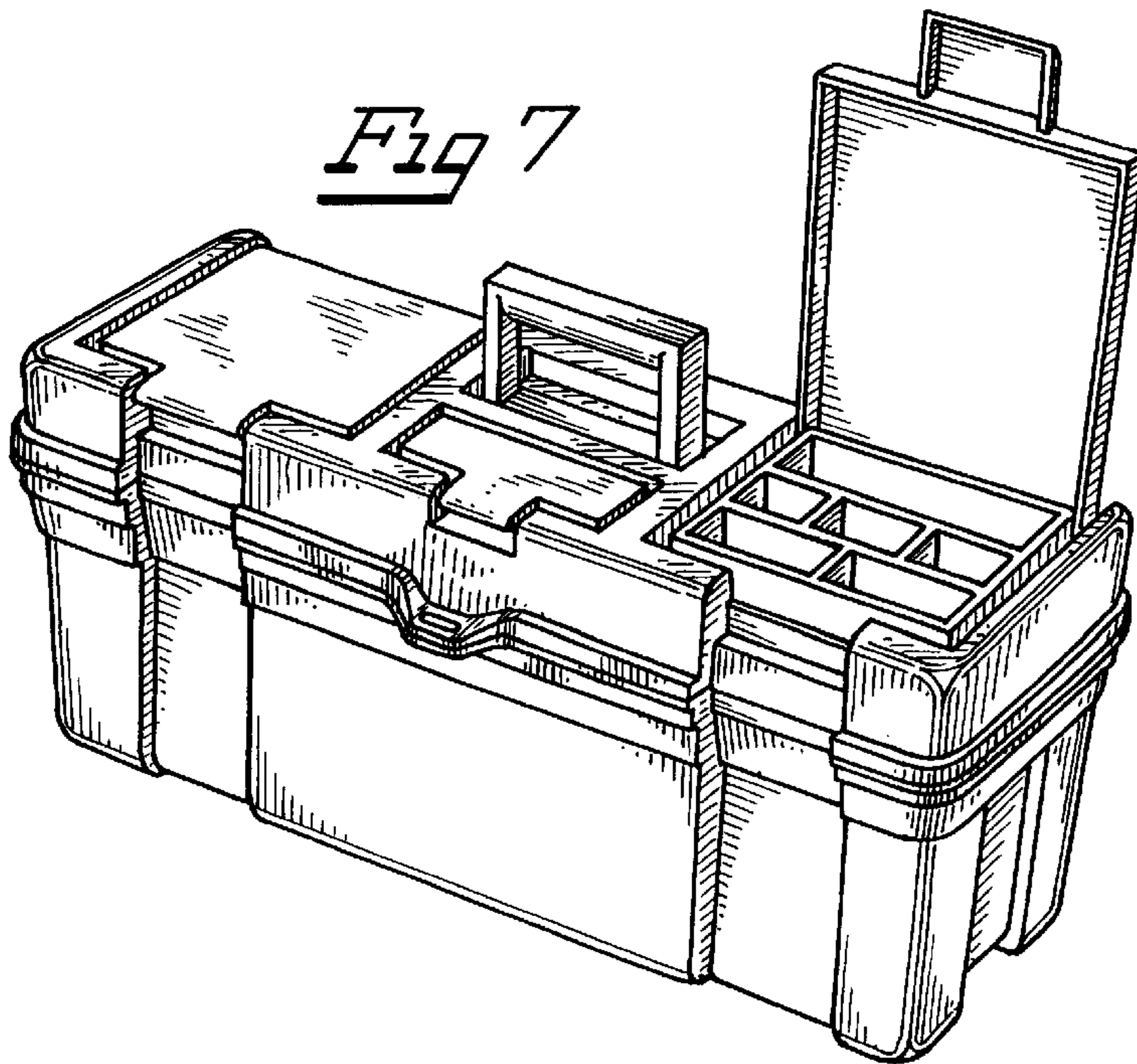


Fig 8

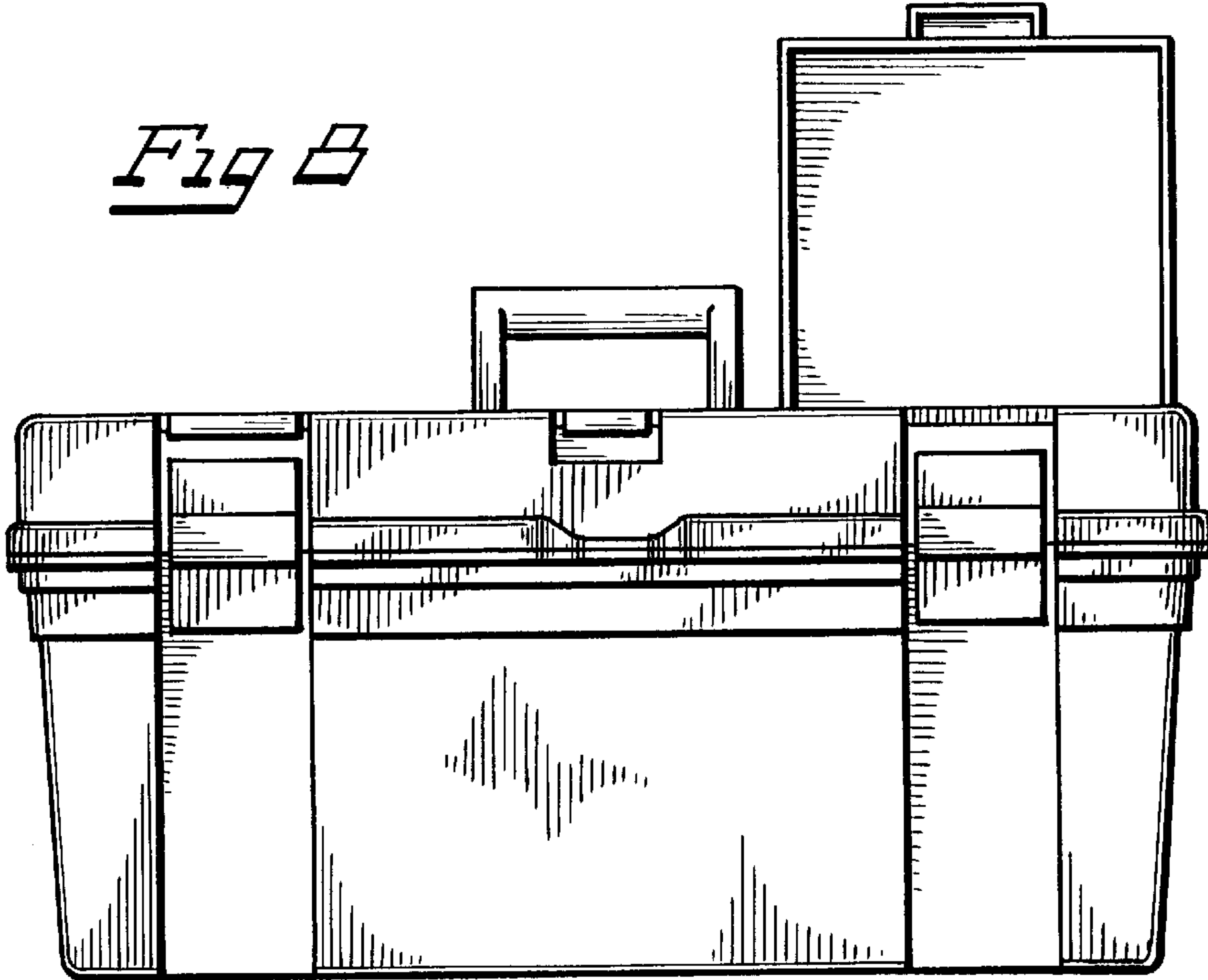


Fig 9

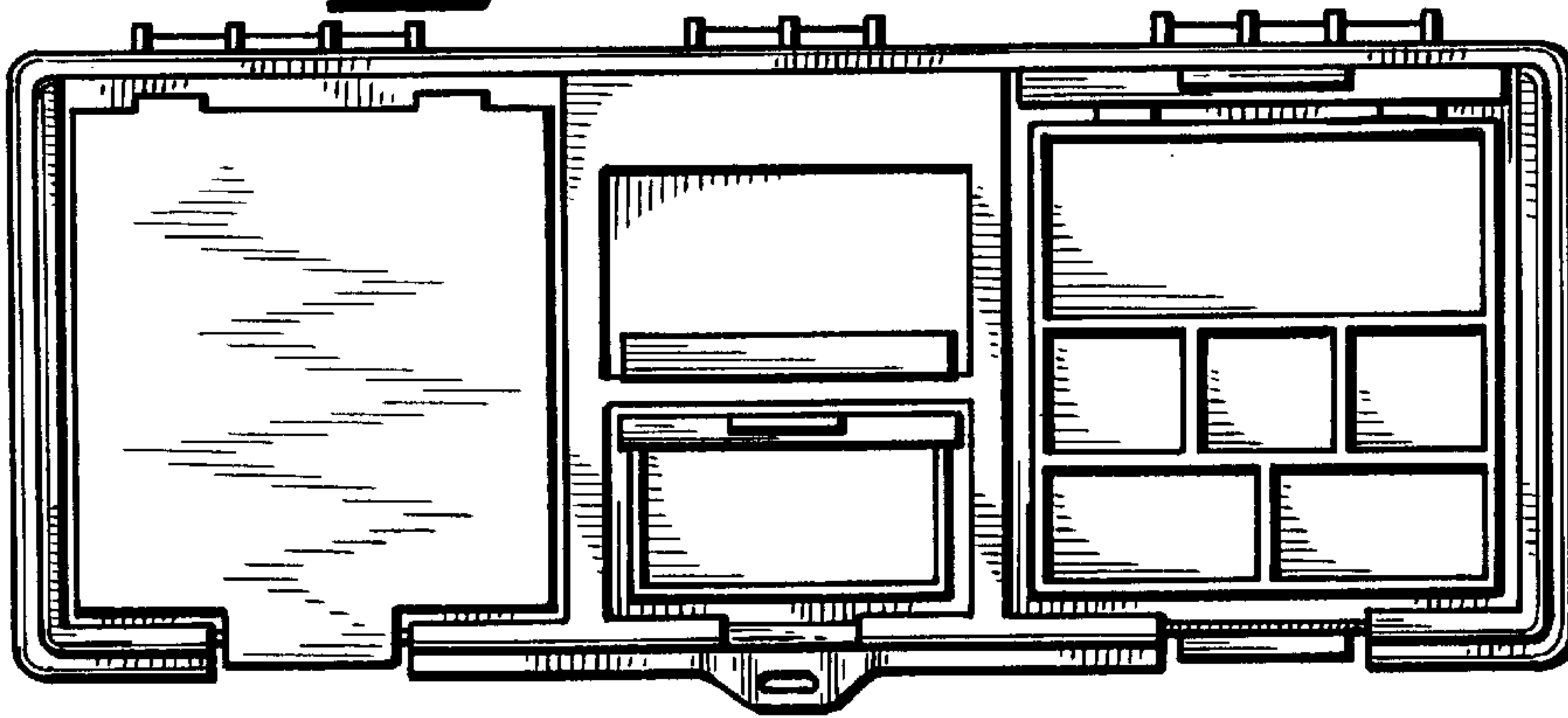


Fig 6

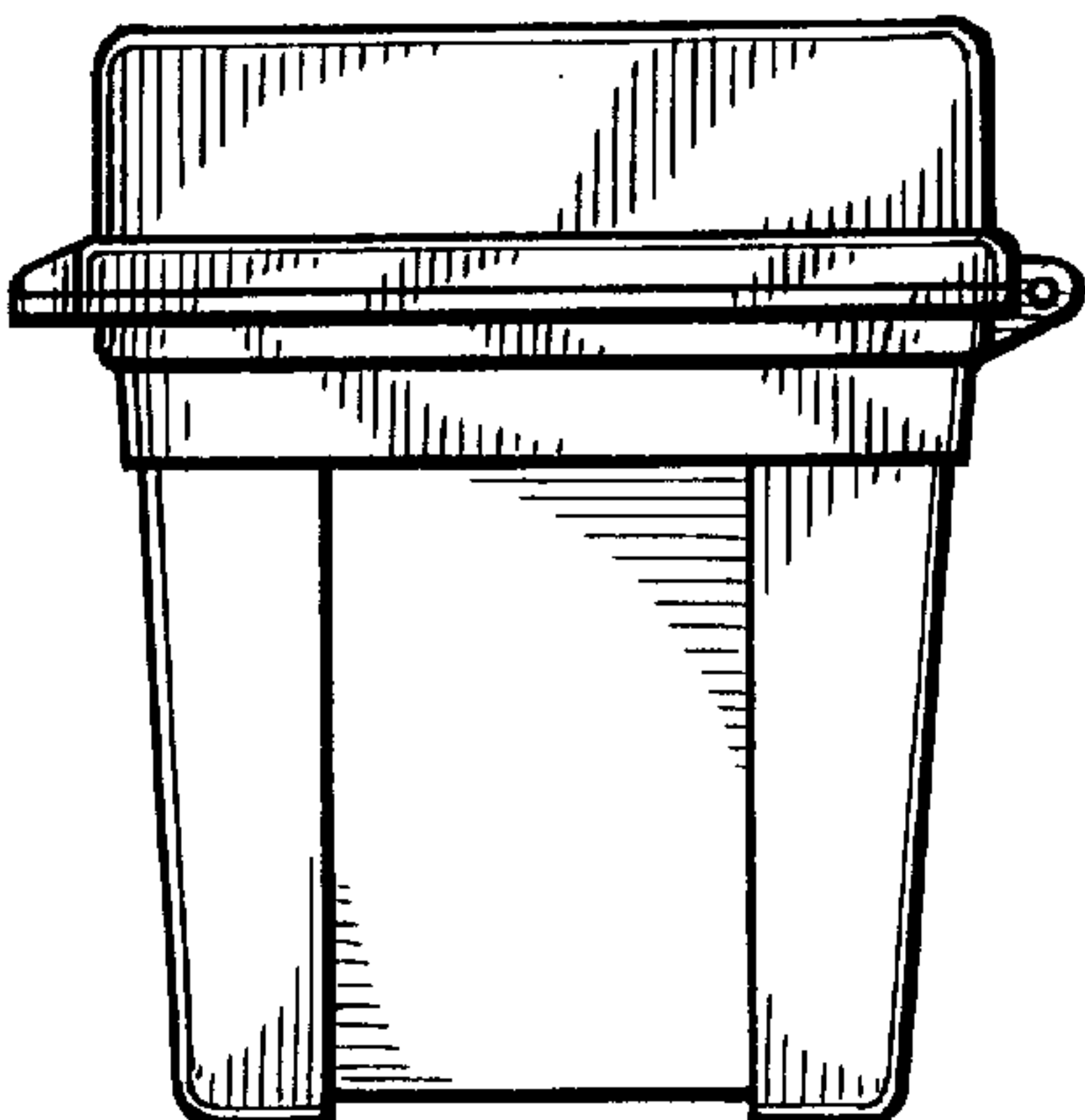


Fig 10

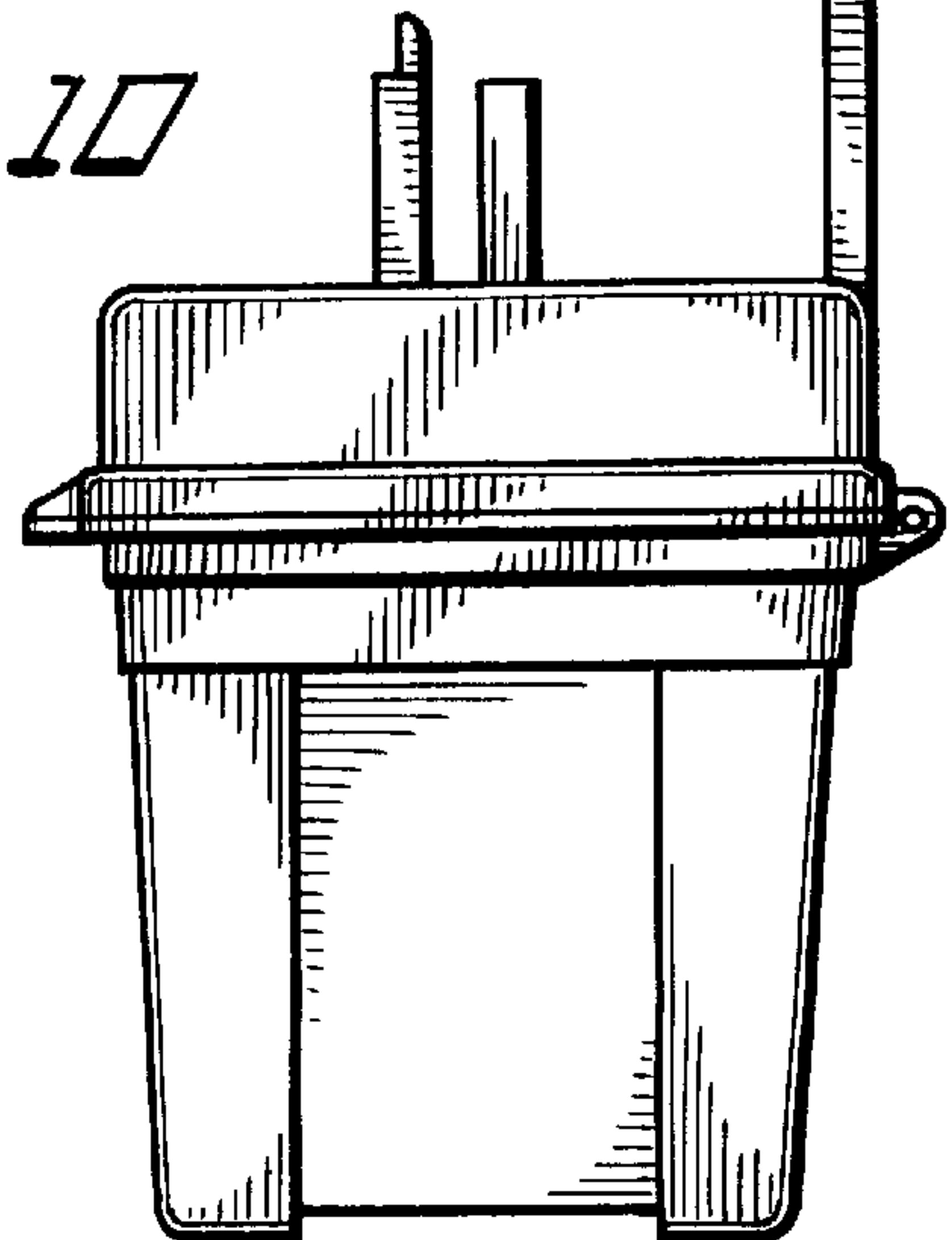


Fig 11

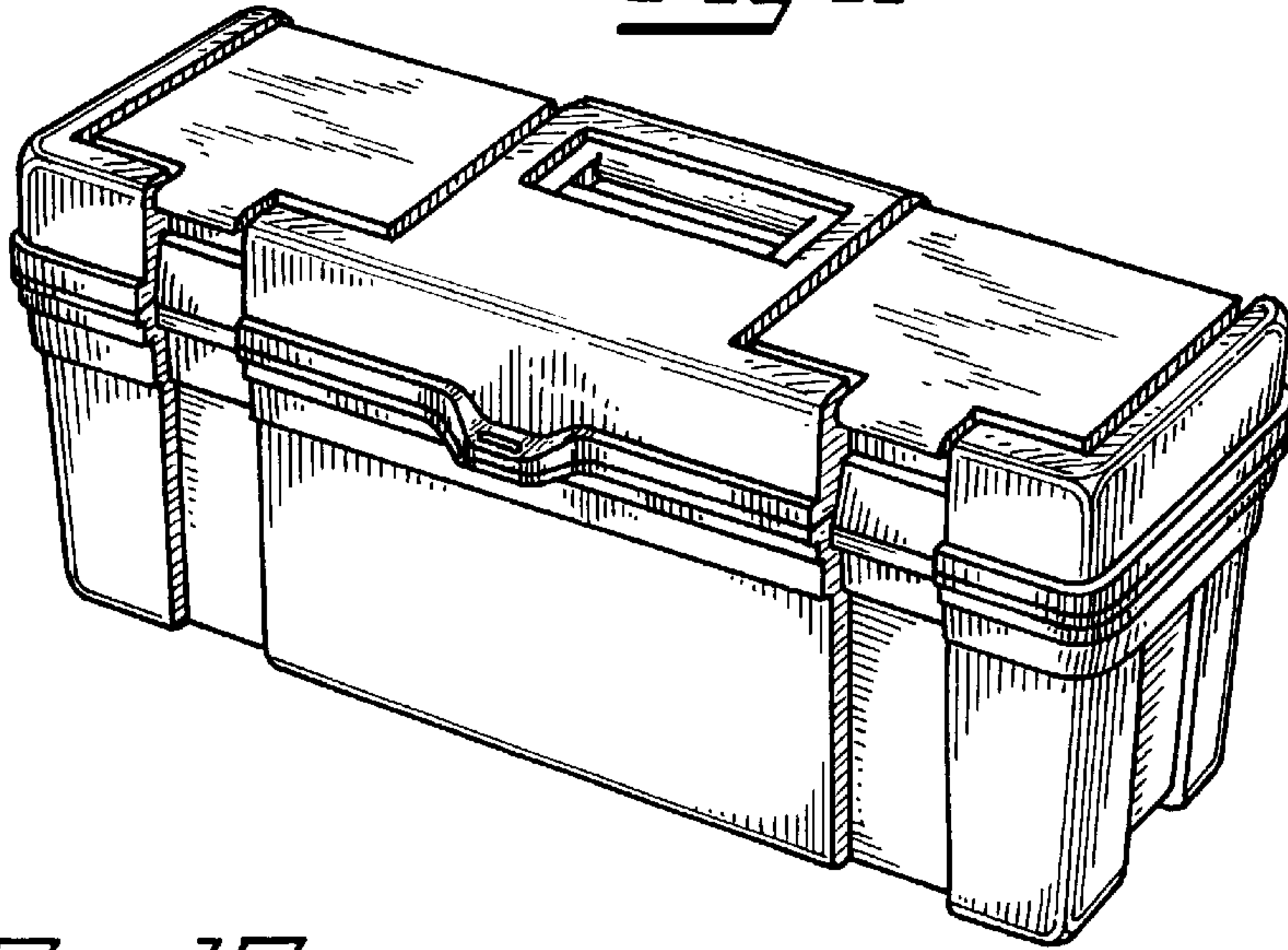


Fig 12

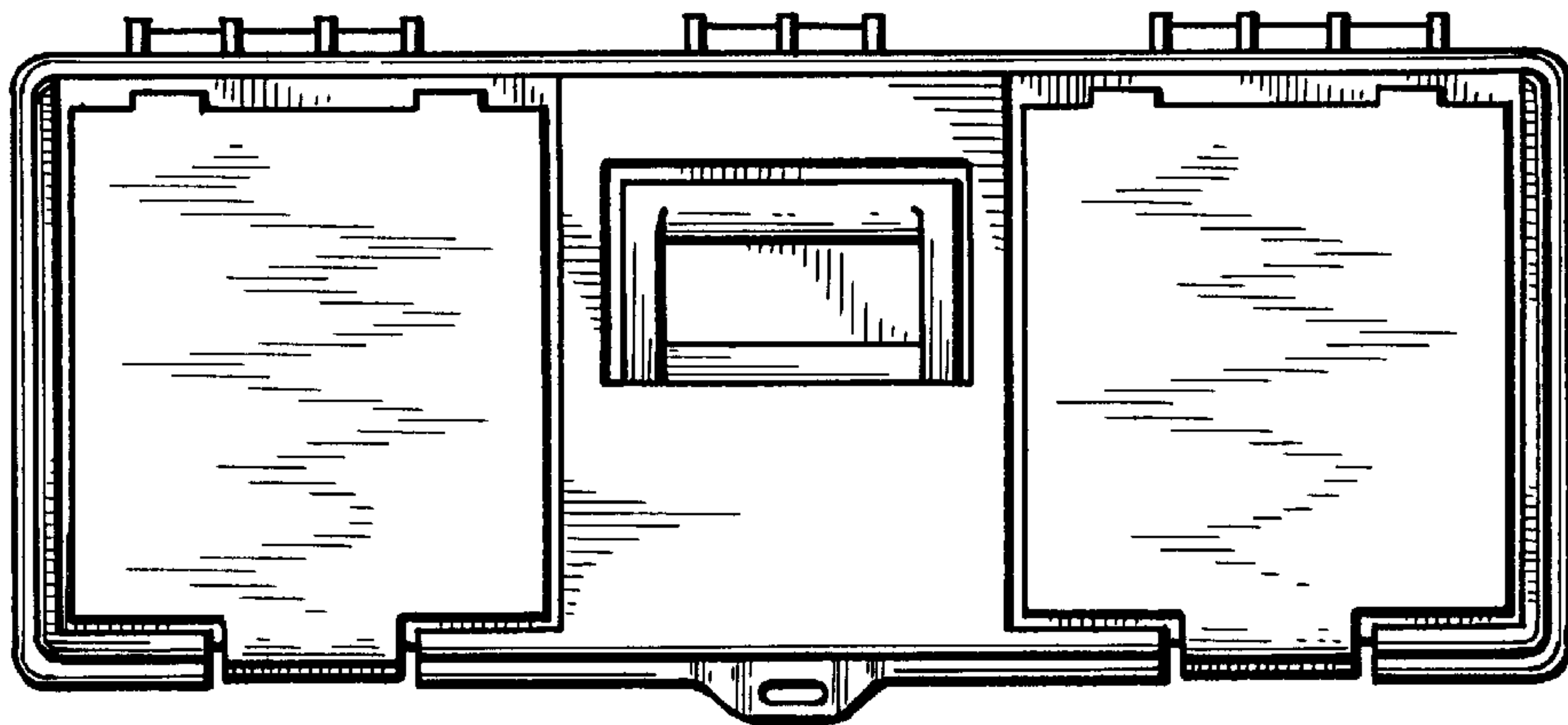


Fig 13

