



US00D424277S

# United States Patent [19] Claffey-Koller

[11] **Patent Number: Des. 424,277**

[45] **Date of Patent: \*\* May 2, 2000**

[54] **COMBINATION MAILBOX AND  
NEWSPAPER RECEPTACLE**

3,706,411 12/1972 Klein ..... 232/17  
3,758,027 9/1973 Morgan ..... 232/17

[75] Inventor: **Karen Claffey-Koller**, Madison, Wis.

### OTHER PUBLICATIONS

Schöner (Mailbox Far Right) Wohnen p. 71, Jan. 1983.

[73] Assignee: **Mail International, Inc.**, Madison, Wis.

*Primary Examiner*—Paula A. Mortimer  
*Attorney, Agent, or Firm*—Patricia Smith King

[\*\*] Term: **14 Years**

### [57] CLAIM

[21] Appl. No.: **29/104,983**

I claim the ornamental design for a combination mailbox and newspaper receptacle, as shown.

[22] Filed: **May 14, 1999**

### DESCRIPTION

[51] **LOC (7) Cl.** ..... **99-00**

[52] **U.S. Cl.** ..... **D99/31**

[58] **Field of Search** ..... D99/29, 30, 31,  
D99/32; D20/6; 232/1 C, 17, 18, 19, 20,  
33, 34, 40, 43.1

FIG. 1 is a front perspective view (from above left);  
FIG. 2 is a front perspective view (from above right, with mailbox door ajar);  
FIG. 3 is a rear perspective view (from below left); and,  
FIG. 4 is a front side view (with mailbox flag in raised position).

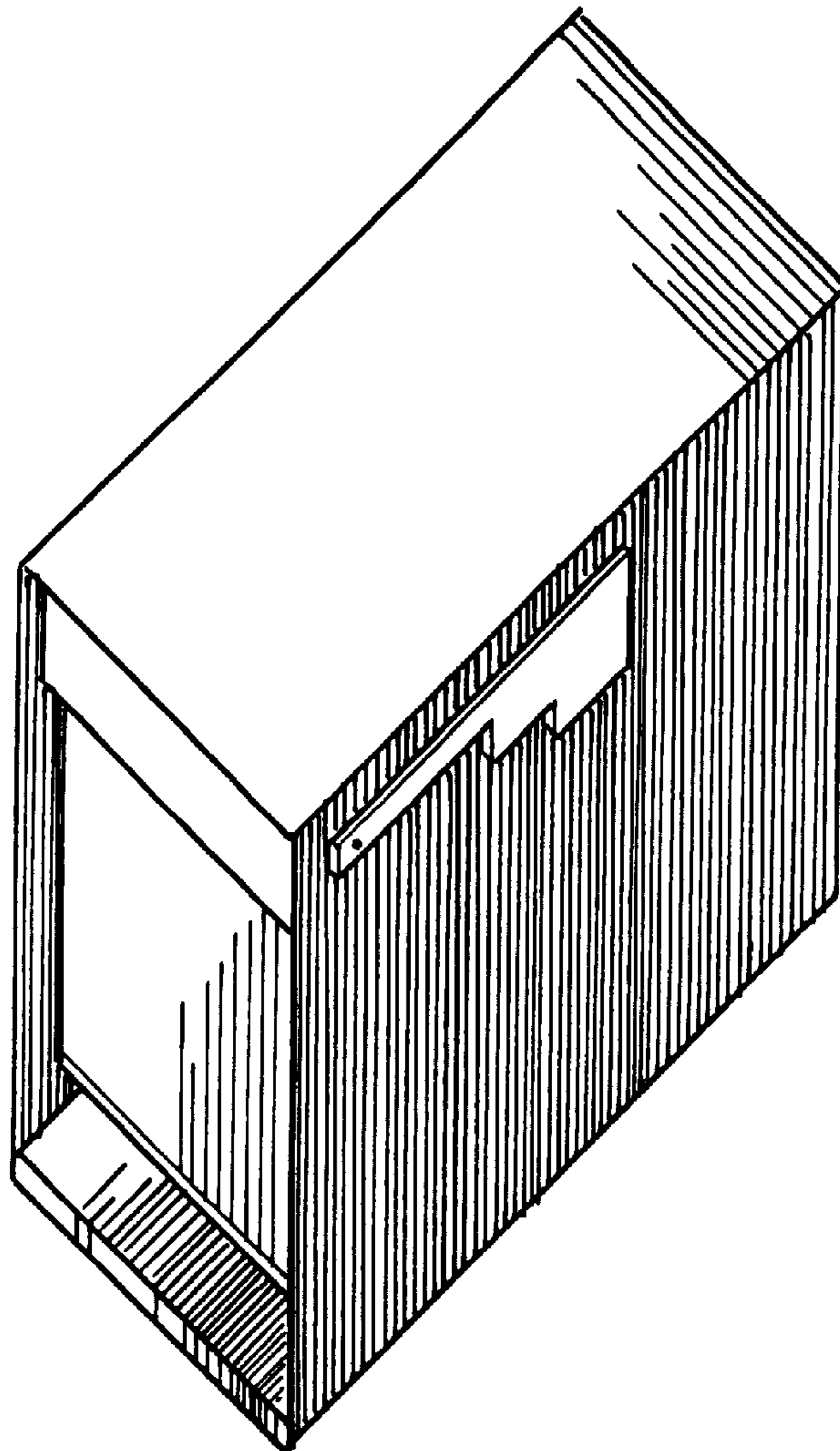
The surfaces or portions of the article not shown in the drawing or described in the specification form no part of the claimed design.

### [56] References Cited

#### U.S. PATENT DOCUMENTS

D. 354,612 1/1995 Worden ..... D99/31  
D. 411,752 6/1999 Davis ..... D99/29  
3,243,104 3/1966 Fillion ..... 232/33

**1 Claim, 2 Drawing Sheets**



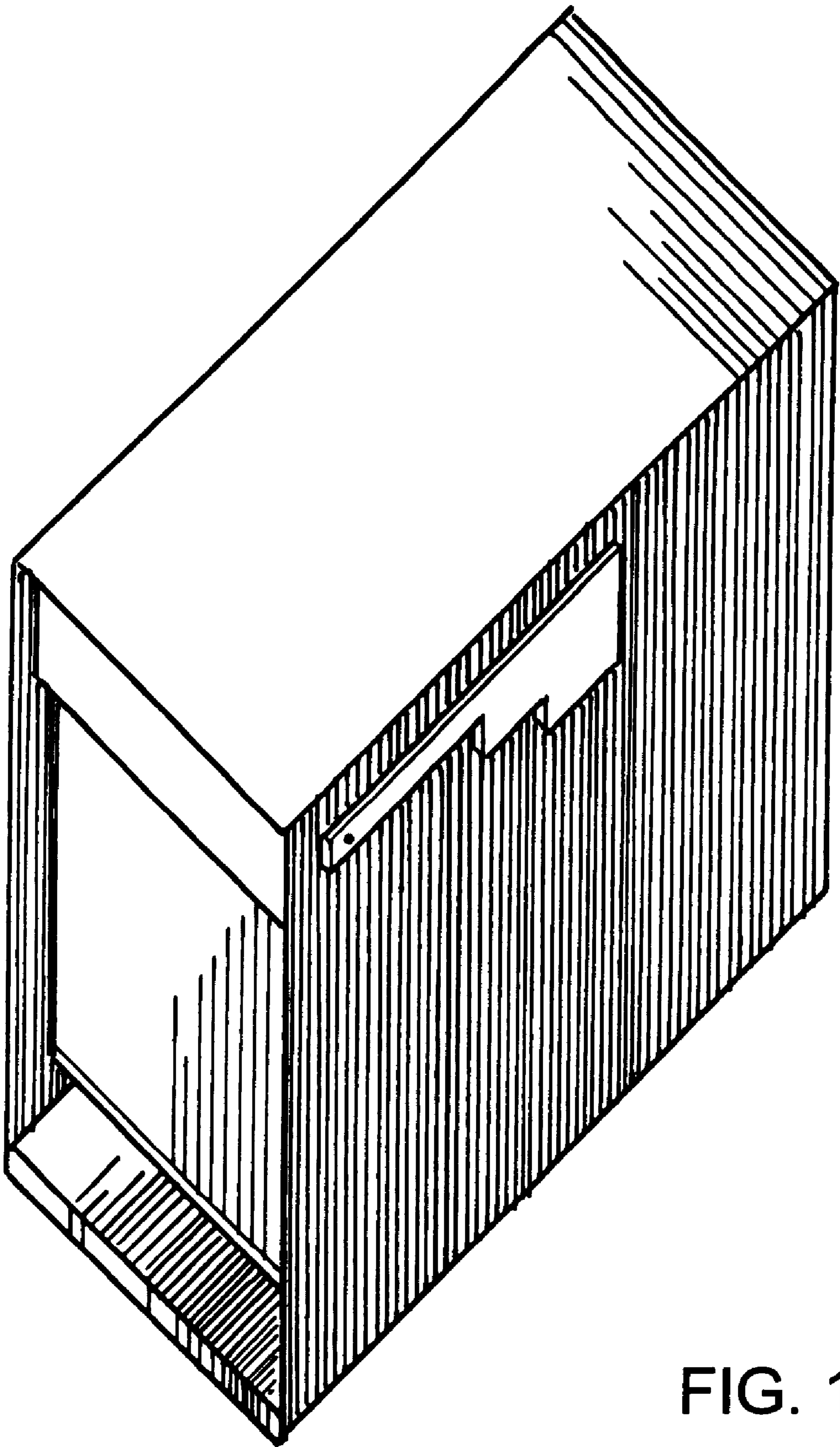


FIG. 1

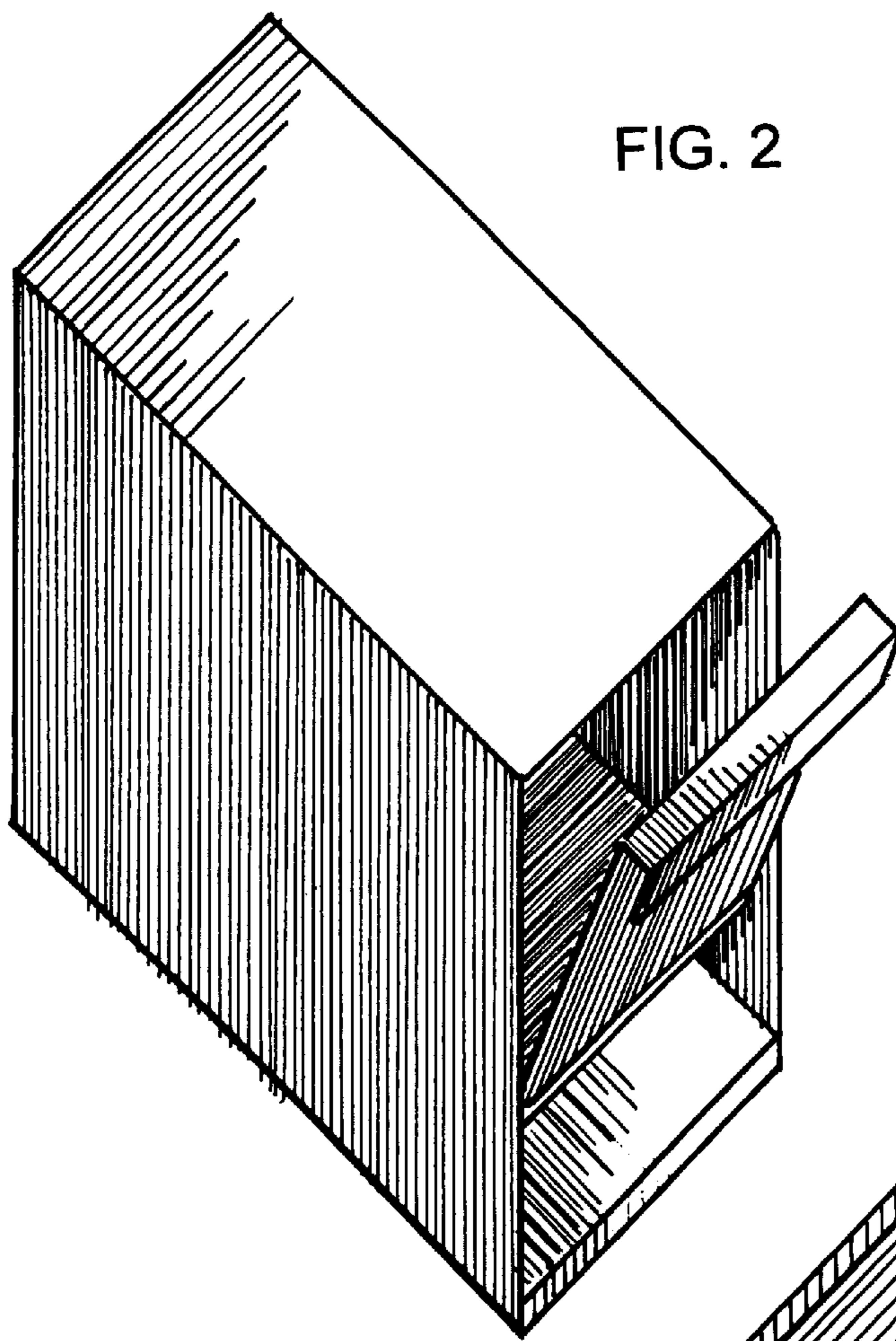


FIG. 2

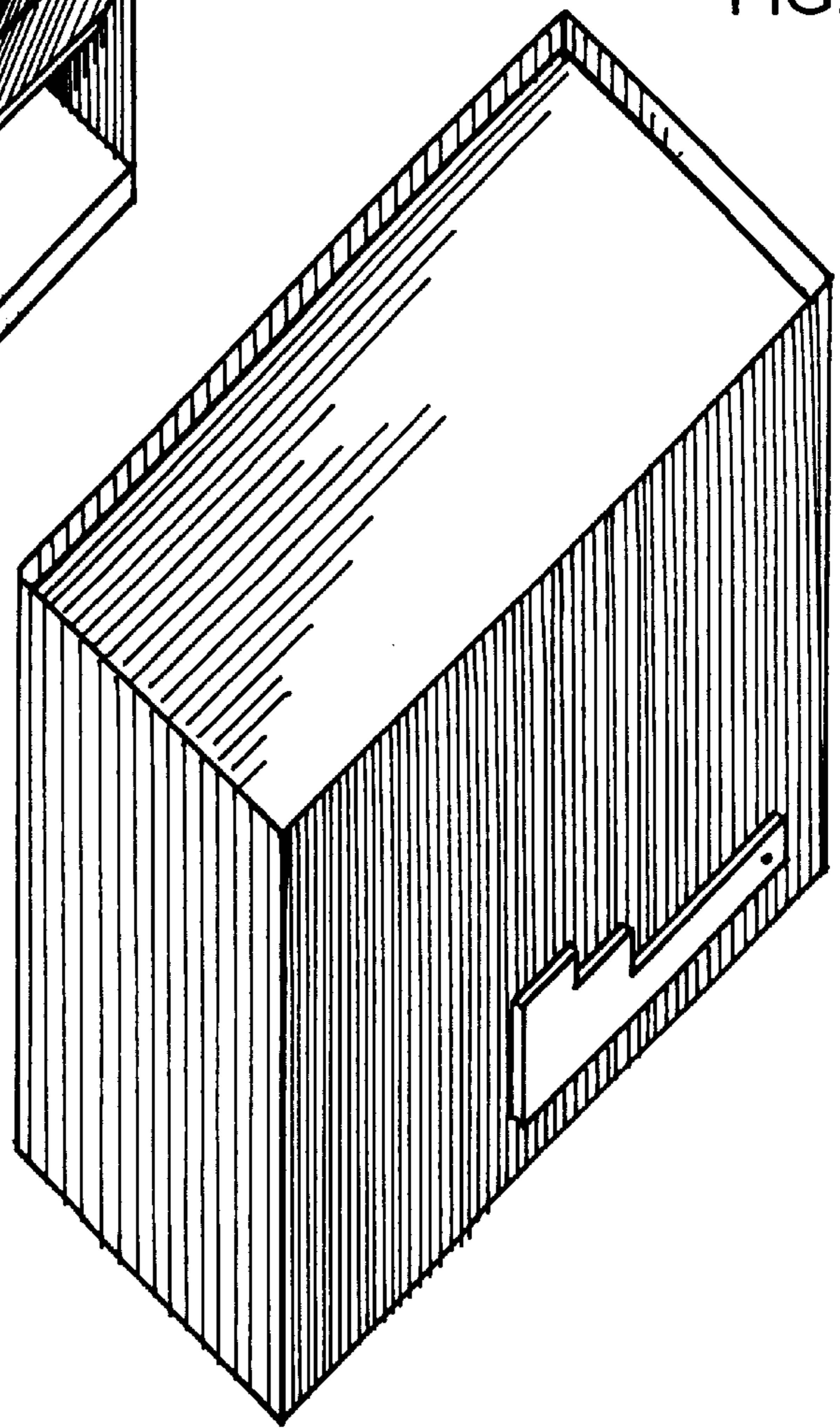


FIG. 3

FIG. 4

