



US00D424276S

**United States Patent** [19]  
**Bolden**

[11] **Patent Number: Des. 424,276**

[45] **Date of Patent: \*\* May 2, 2000**

[54] **MAILBOX DELIVERY INDICATOR**

[76] Inventor: **Amos A. Bolden**, 1802 Hamill Rd.,  
Apt. 12, Hamilton County, Hixon, Tenn.  
37343

[\*\*] Term: **14 Years**

[21] Appl. No.: **29/106,757**

[22] Filed: **Jun. 22, 1999**

[51] **LOC (7) Cl.** ..... **99-00**

[52] **U.S. Cl.** ..... **D99/29; D99/30**

[58] **Field of Search** ..... D99/29, 30, 31,  
D99/32, 33; 232/17, 33, 35, 36; D21/708,  
709

[56] **References Cited**

**U.S. PATENT DOCUMENTS**

D. 260,319	8/1981	Kuntz, Jr.	.....	D99/29
D. 288,258	2/1987	Oden	.....	D99/30
D. 348,969	7/1994	Barbour	.....	D99/30
D. 376,250	12/1996	Conley, Jr.	.....	D99/30
D. 398,679	9/1998	Aoyama	.....	D21/708
893,750	7/1908	Plummer	.....	232/35

3,596,631	8/1971	Sutton	.....	232/35
3,968,928	7/1976	Caldwell	.....	232/35
4,138,056	2/1979	Sherrill	.....	232/35
4,524,905	6/1985	Crist	.....	232/35
5,762,264	6/1998	Ginsberg	.	

*Primary Examiner*—Paula A. Mortimer  
*Attorney, Agent, or Firm*—Pitts & Brittan, P.C.

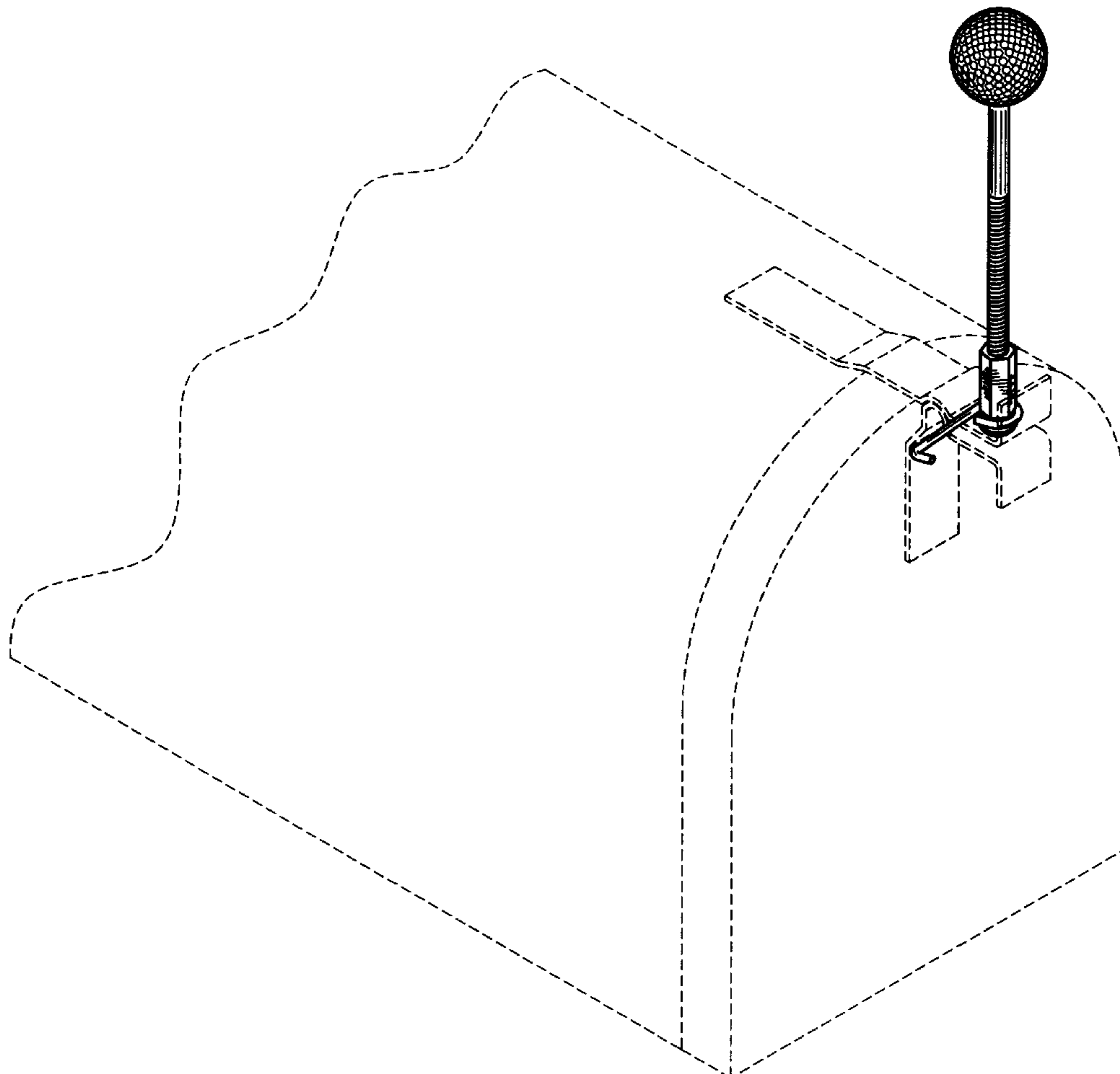
[57] **CLAIM**

The ornamental design of a mailbox delivery indicator, as shown and described.

**DESCRIPTION**

FIG. 1 is a perspective view thereof;  
FIG. 2 is a front view thereof;  
FIG. 3 is a back view thereof;  
FIG. 4 is a top view thereof;  
FIG. 5 is a bottom view thereof;  
FIG. 6 is a right side view thereof;  
FIG. 7 is a left side view thereof; and,  
FIG. 8 is a partial cross-section taken at A of FIG. 2.  
The broken line showing of indicia in FIG. 1 is for illustrative purposes only and forms no part of the claimed design.

**1 Claim, 4 Drawing Sheets**



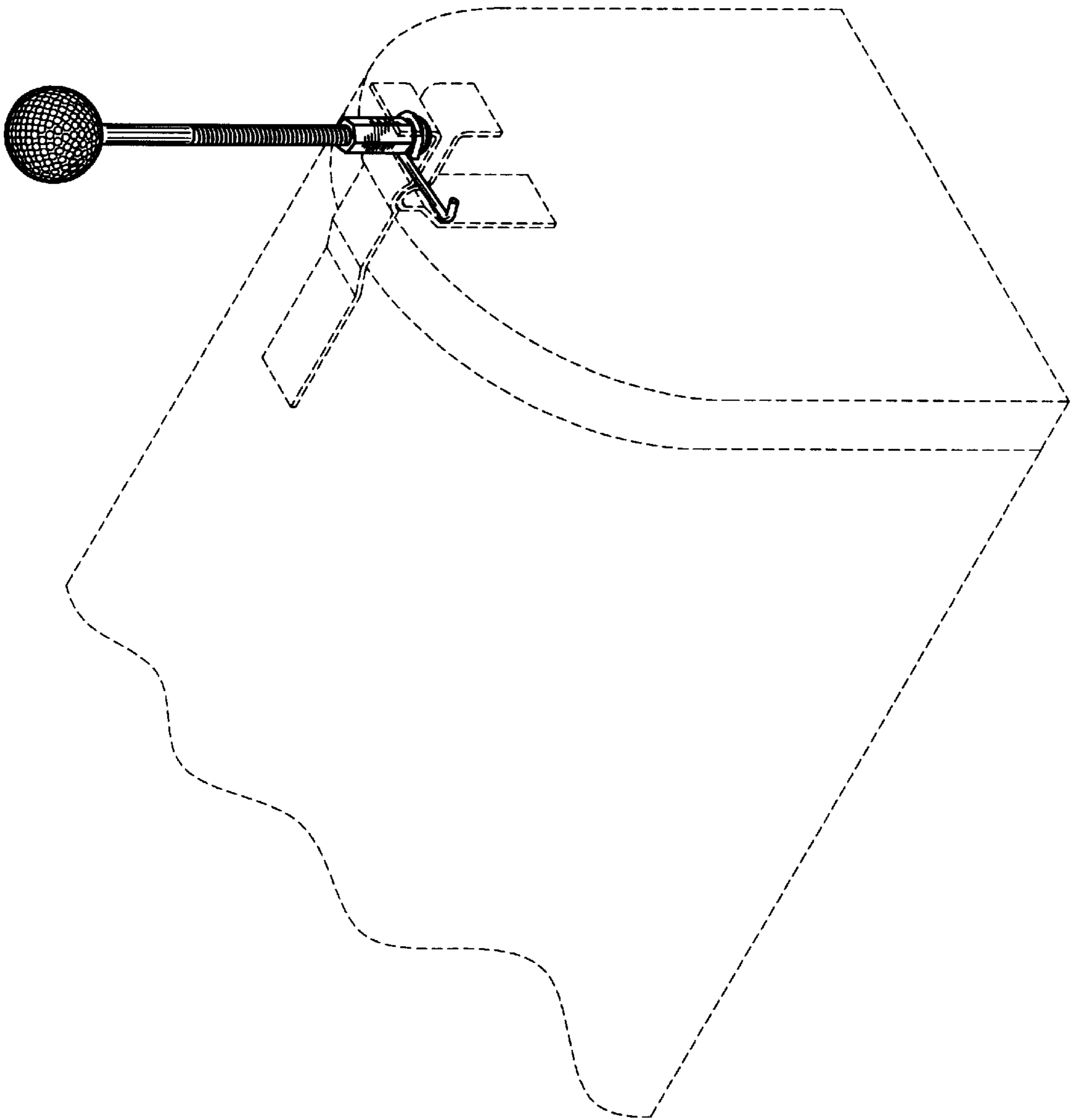


Fig. 1

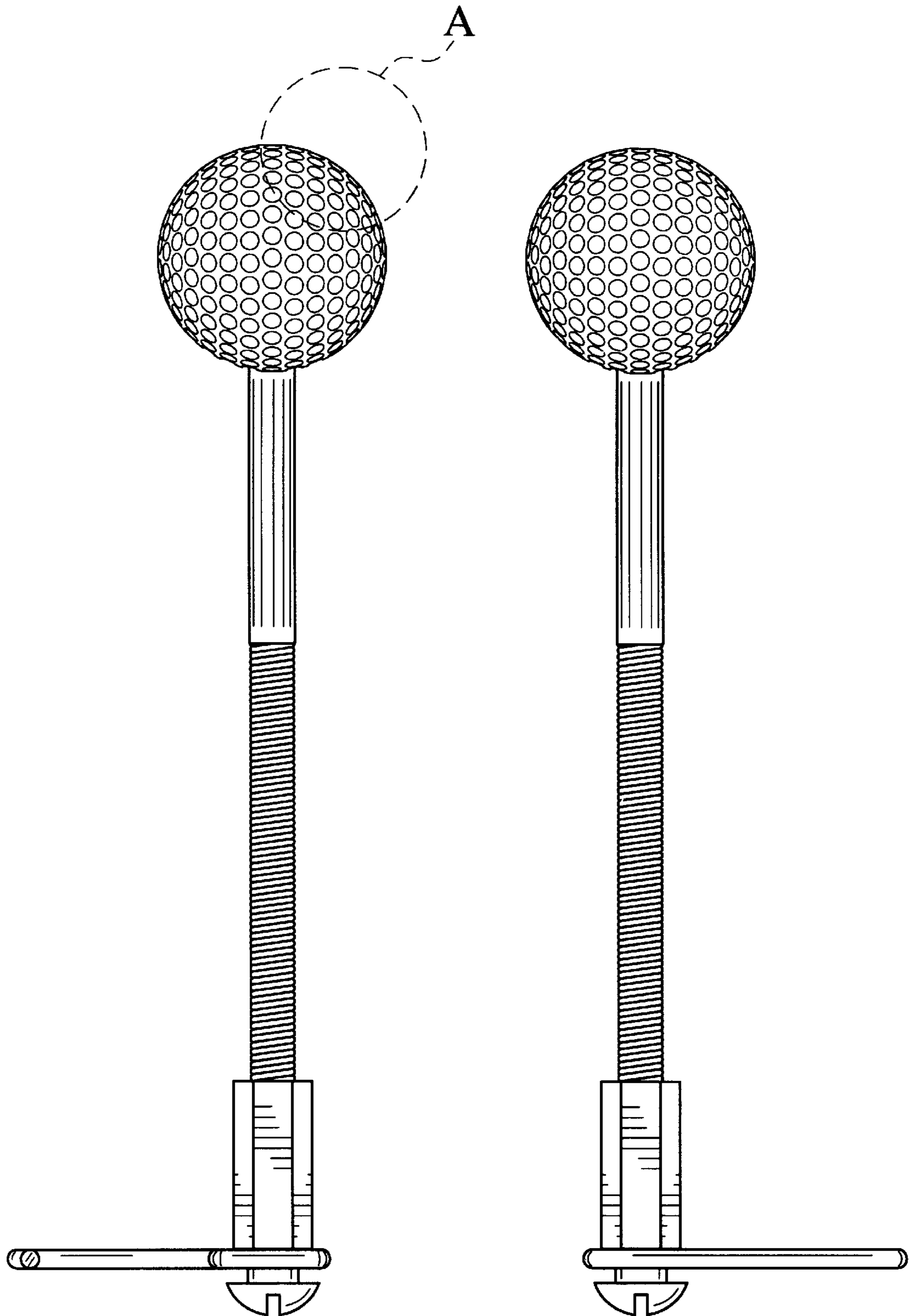


Fig.2

Fig.3

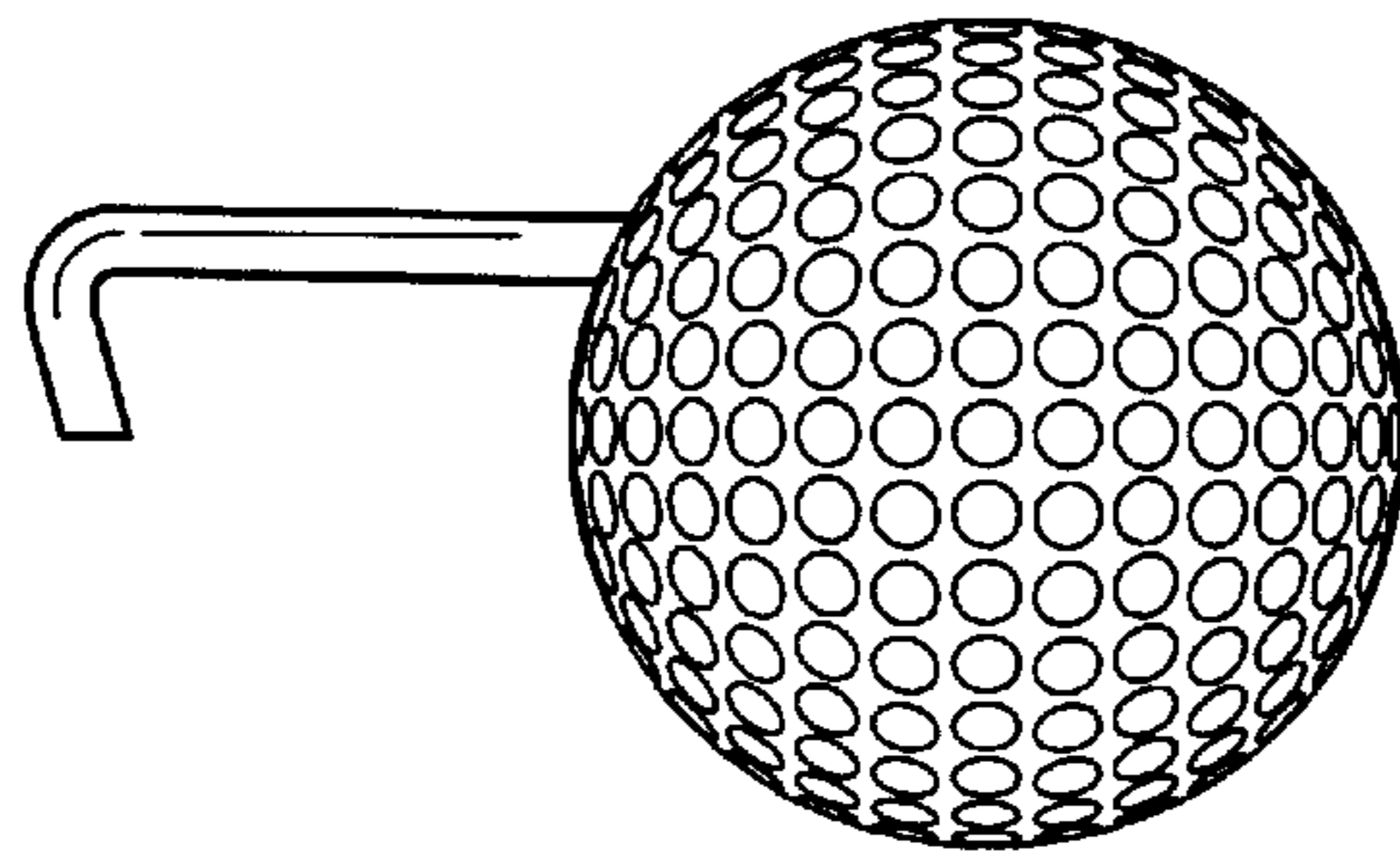


Fig. 4

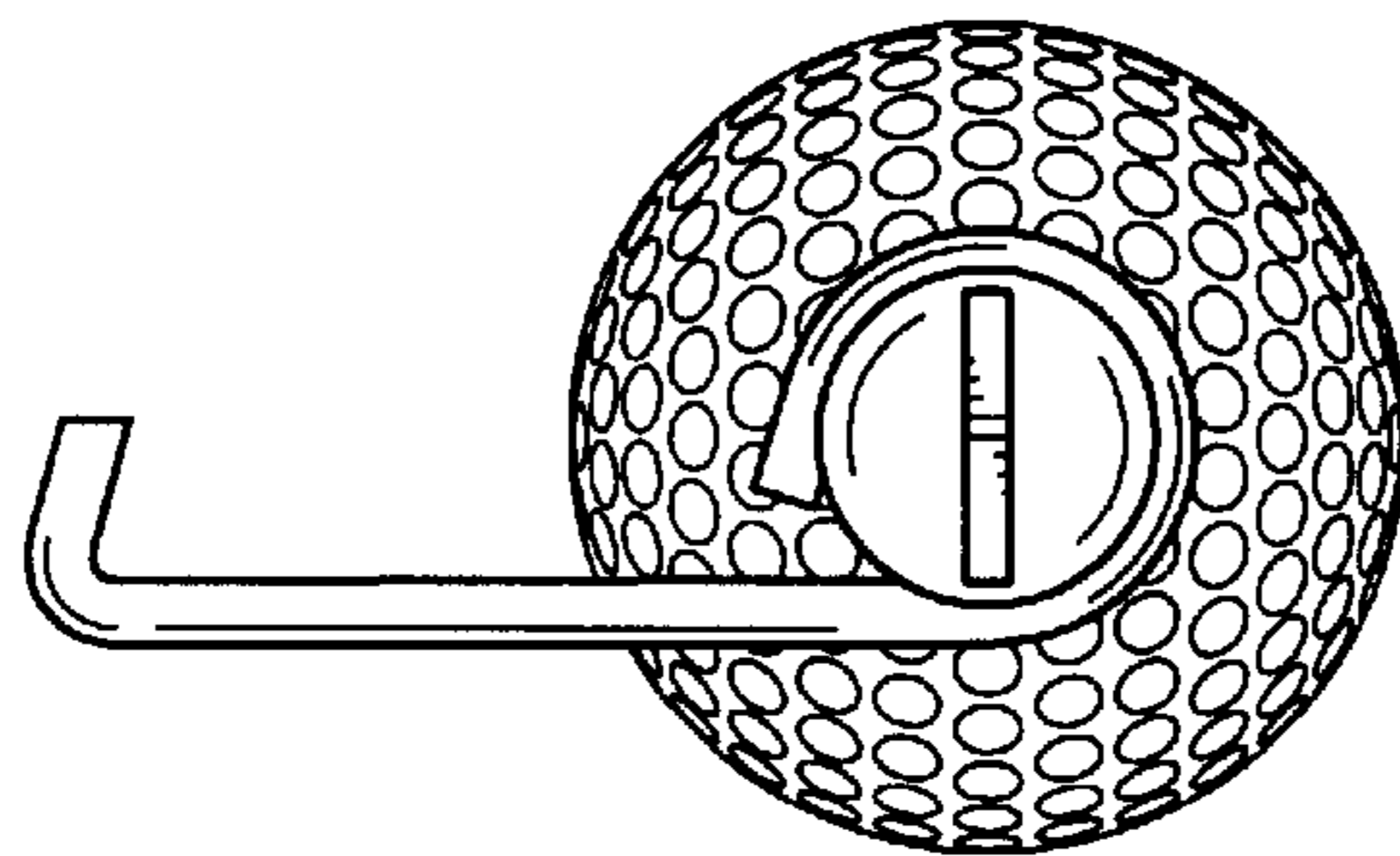


Fig. 5

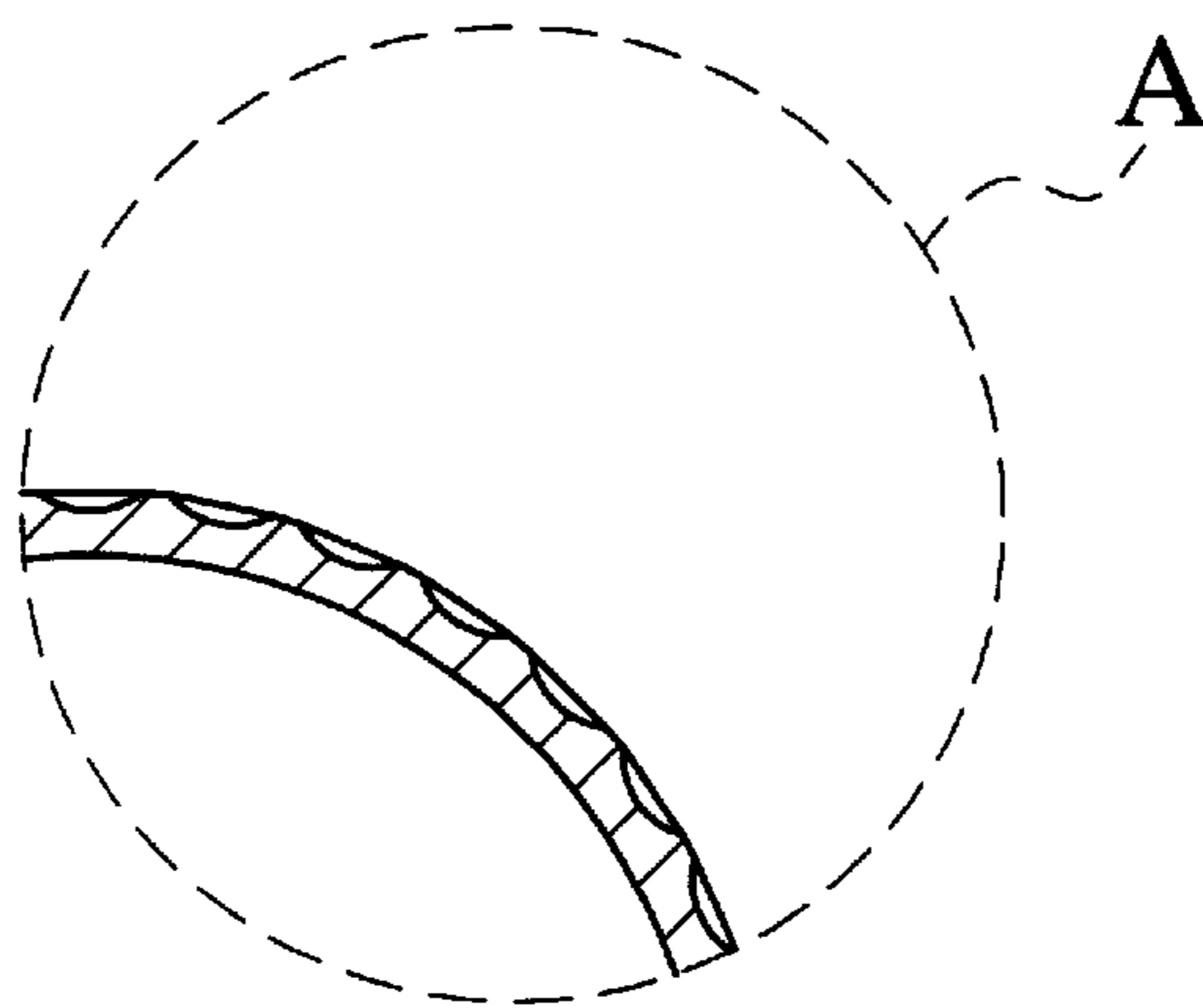


Fig. 8

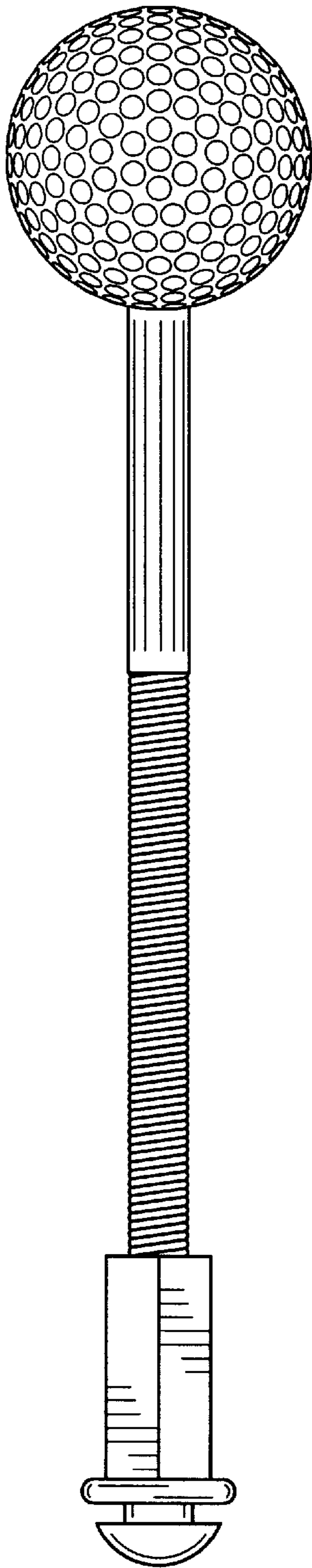


Fig. 6

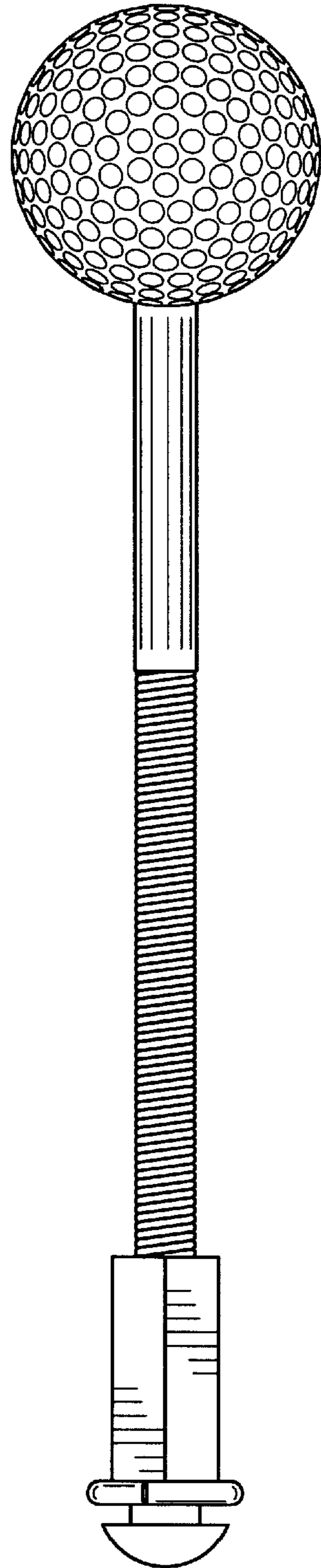


Fig. 7