



US00D424270S

United States Patent [19]

Barrass et al.

[11] Patent Number: **Des. 424,270**

[45] Date of Patent: **** May 2, 2000**

[54] **HOIST FOR ANIMAL CARCASSES**

[76] Inventors: **William D. Barrass**, 22983 East Side Rd., Willets, Calif. 95490; **Michael R. Secrist**, 390 Juniper St., Elko, Nev. 98901

[**] Term: **14 Years**

[21] Appl. No.: **29/101,763**

[22] Filed: **Mar. 11, 1999**

[51] **LOC (7) Cl.** **12-05**

[52] **U.S. Cl.** **D34/33**

[58] **Field of Search** D34/28, 33, 34, D34/35, 36; 254/124, 139.1, 873; 414/496, 550, 563, 543, 569; 42/264; 5/81.1, 83.1, 84.1, 87.1, 88.1

[56] **References Cited**

U.S. PATENT DOCUMENTS

D. 241,839	10/1976	Harian	D34/33
D. 301,127	5/1989	Lindblom	D34/36 X
D. 341,242	11/1993	Thorby	D34/35
D. 349,996	8/1994	Litwiller	D34/33
D. 358,696	5/1995	Mims	D34/28
D. 376,885	12/1996	Carey et al.	D34/28

2,661,854	12/1953	Adams	D34/33 X
4,049,238	9/1977	Brown	254/139.1
4,127,200	11/1978	Mann	212/254
4,556,358	12/1985	Harian	414/550
5,211,297	5/1993	Vandervalk	212/264
5,445,487	8/1995	Koscinski, Jr.	414/550
5,520,498	5/1996	DiBartolomeo	414/550
5,752,799	5/1998	Carey et al.	414/543
5,785,095	8/1998	Watson	212/264

Primary Examiner—Susan J. Lucas
Assistant Examiner—Cynthia E. Ramirez
Attorney, Agent, or Firm—Keith S. Bergman

[57] **CLAIM**

The ornamental design for hoist for animal carcasses, as shown and described.

DESCRIPTION

FIG. 1 is an isometric view of a hoist for animal carcasses showing our new design;
FIG. 2 is a front elevational view thereof;
FIG. 3 is a back elevational view thereof;
FIG. 4 is a right side elevational view thereof;
FIG. 5 is a left side elevational view thereof;
FIG. 6 is a top view thereof; and,
FIG. 7 is a bottom view thereof.

1 Claim, 3 Drawing Sheets

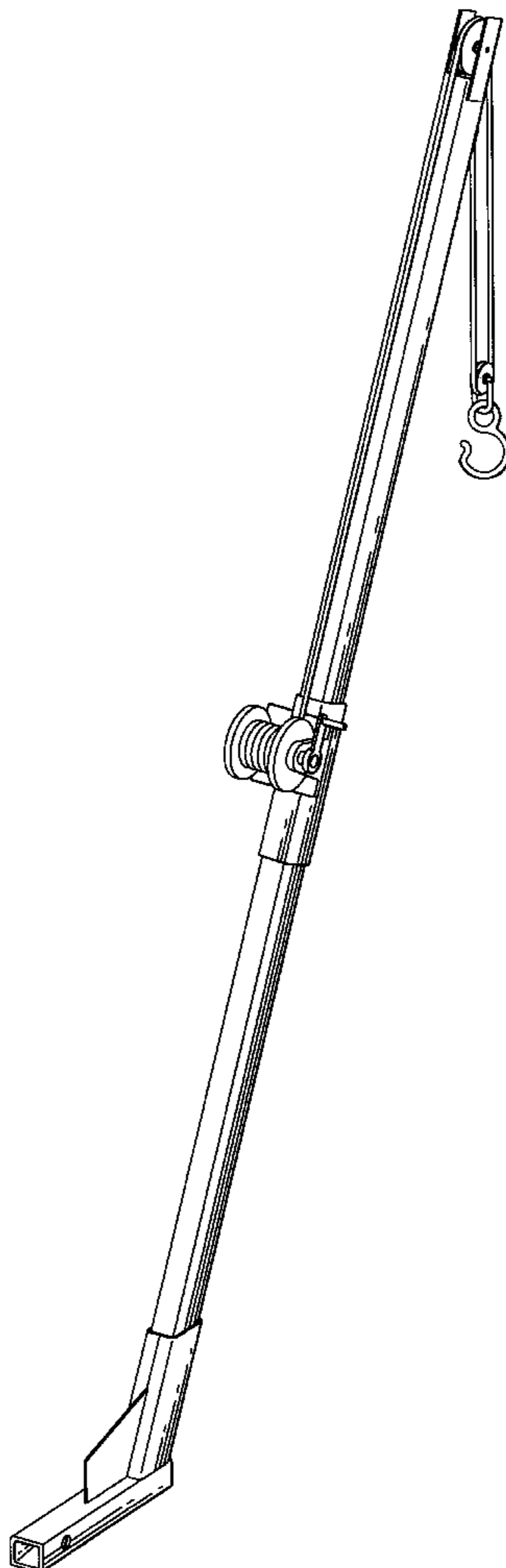


FIG. 2

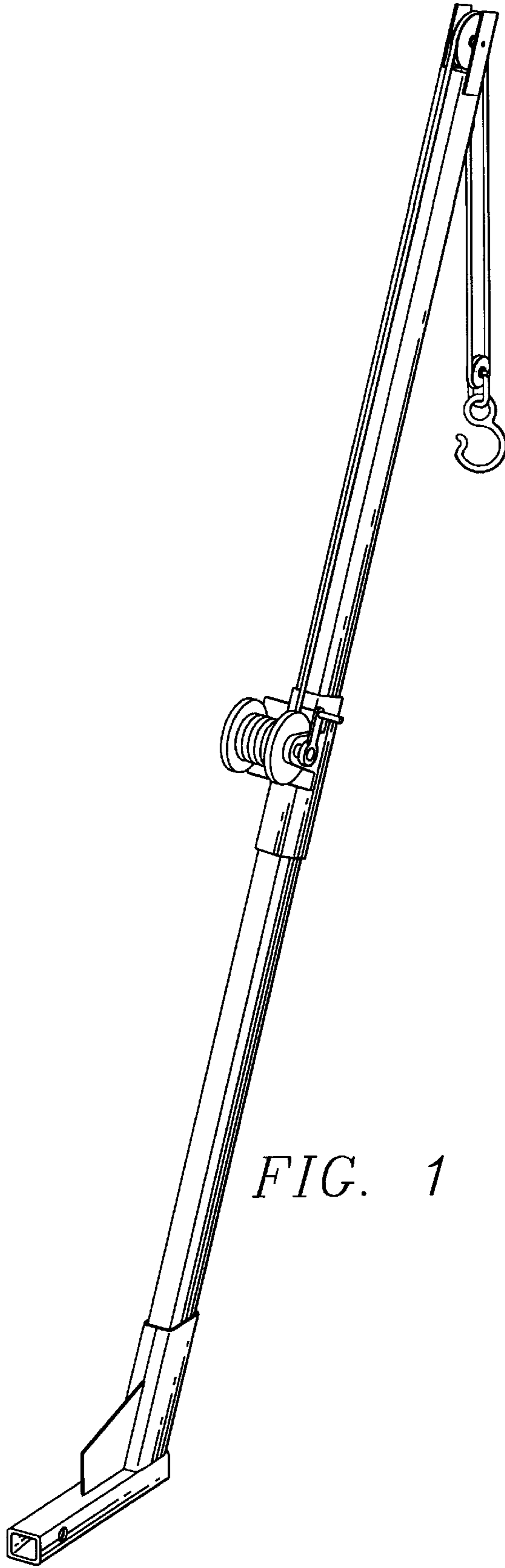
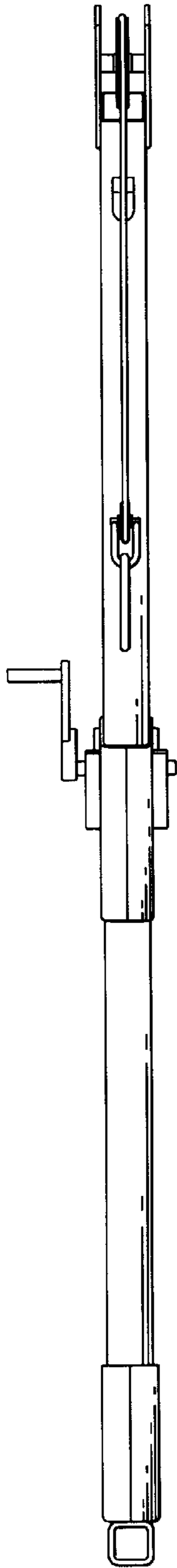


FIG. 1

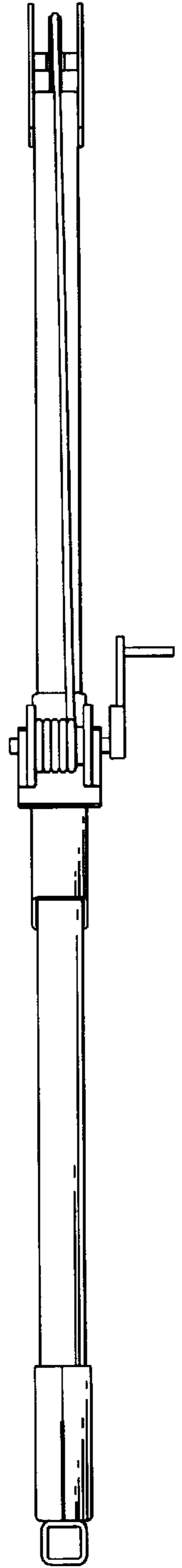
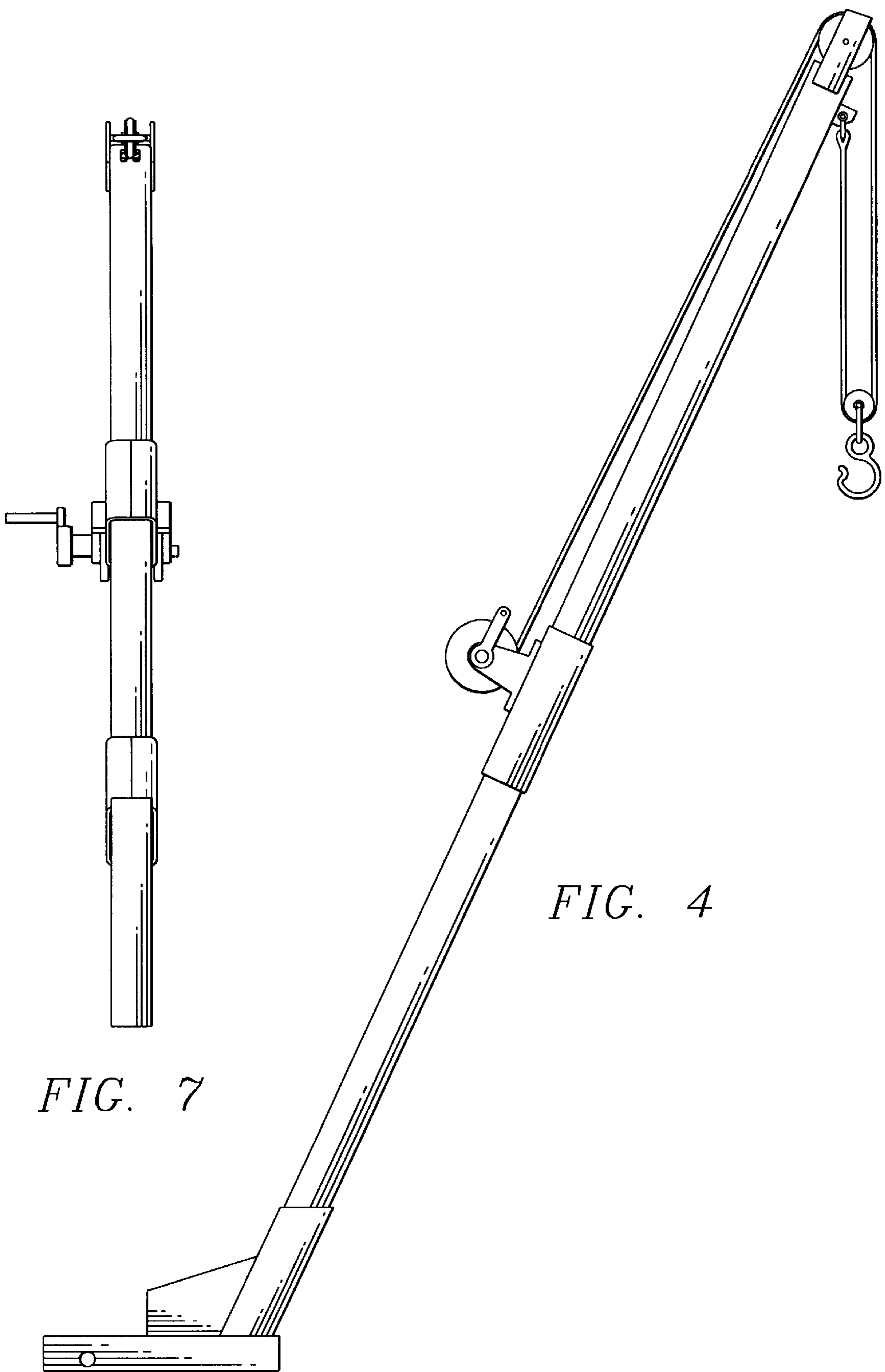


FIG. 3



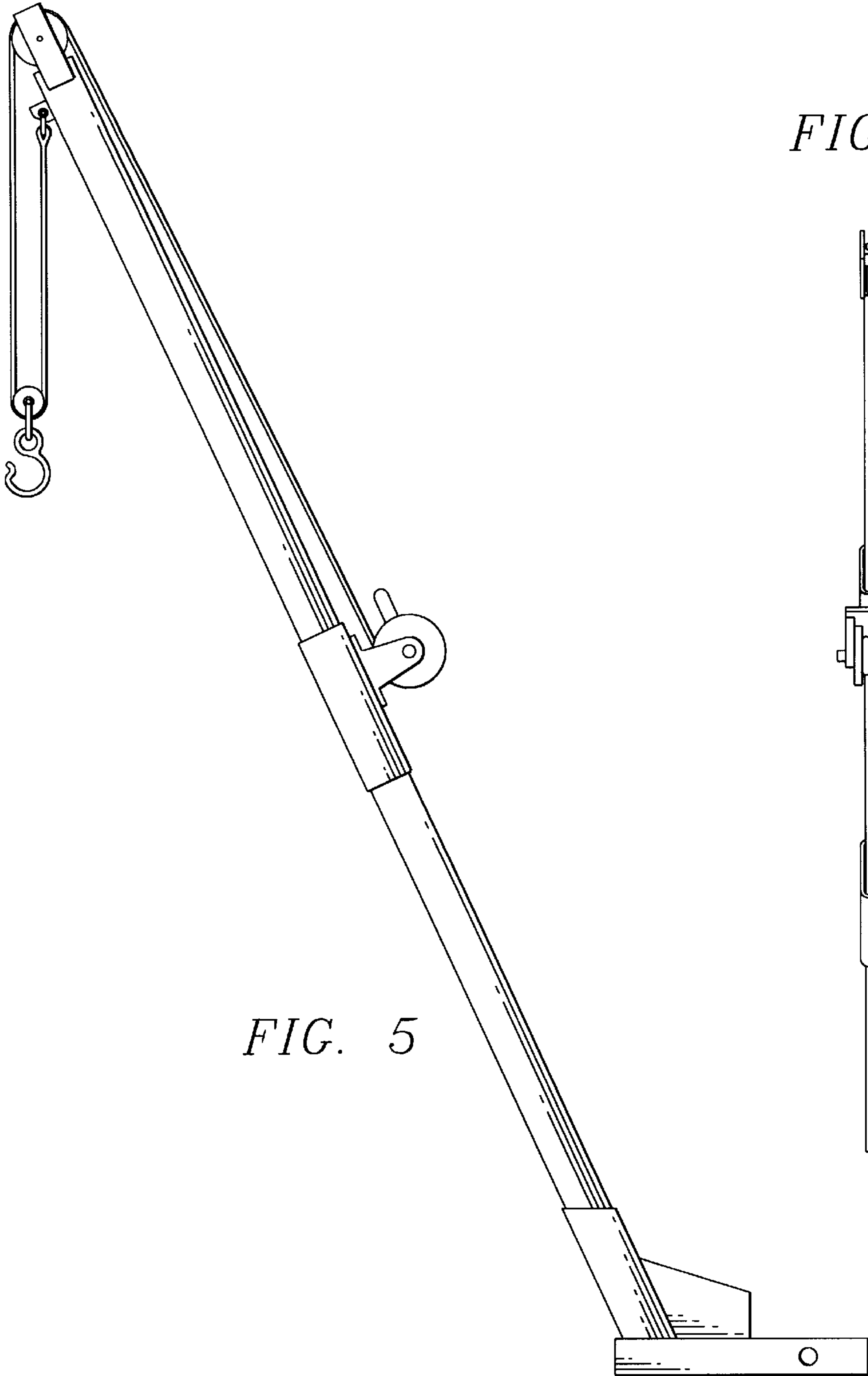


FIG. 6

