



US00D424269S

United States Patent [19]

Matusima et al.

[11] Patent Number: Des. 424,269

[45] Date of Patent: ** May 2, 2000

[54] WHEEL COVER FOR CHAIN BLOCK

5,007,617 4/1991 Nishimura et al. 254/372
5,544,863 8/1996 Ueno et al. 254/358

[75] Inventors: Tadasu Matusima; Takasi Uesugi;
Yosiaki Okamoto, all of Osaka, Japan

[73] Assignee: Elephant Chain Block Co., Ltd., Japan

[**] Term: 14 Years

[21] Appl. No.: 29/093,033

[22] Filed: Sep. 1, 1998

[30] Foreign Application Priority Data

Jun. 8, 1998 [JP] Japan 10-16422

[51] LOC (7) Cl. 12-05

[52] U.S. Cl. D34/33

[58] Field of Search D34/33, 35, 37,
D34/36; 105/150, 151; 254/358, 372; 104/182;
191/76; 441/84

[56] References Cited

U.S. PATENT DOCUMENTS

D. 277,992	3/1985	Tupper	D34/28
D. 313,299	12/1990	Tupper	D34/33
1,876,954	9/1932	Johnson	254/358
3,643,921	2/1972	Puretic	254/372
3,894,720	7/1975	Koji	254/358
4,881,720	11/1989	Nishimura	254/358

Primary Examiner—Alan P. Douglas
Assistant Examiner—Cynthia E. Ramirez
Attorney, Agent, or Firm—Dickstein Shapiro Morin & Oshinsky LLP

[57] CLAIM

The ornamental design for a wheel cover for chain block, as shown and described.

DESCRIPTION

FIG. 1 is a perspective view of a wheel cover for chain block showing our new design;
FIG. 2 is a front view thereof;
FIG. 3 is a rear view thereof;
FIG. 4 is a left side view thereof;
FIG. 5 is a top plan view thereof;
FIG. 6 is a bottom plan view thereof; and,
FIG. 7 is a reference perspective view of a chain block showing a state in which the wheel cover is stored.
A right side view of the wheel cover for chain block is symmetrical to the FIG. 4. The items depicted by broken lines in FIG. 7 represent an environment within which the claimed invention is used, and form no part of the claimed design.

1 Claim, 6 Drawing Sheets

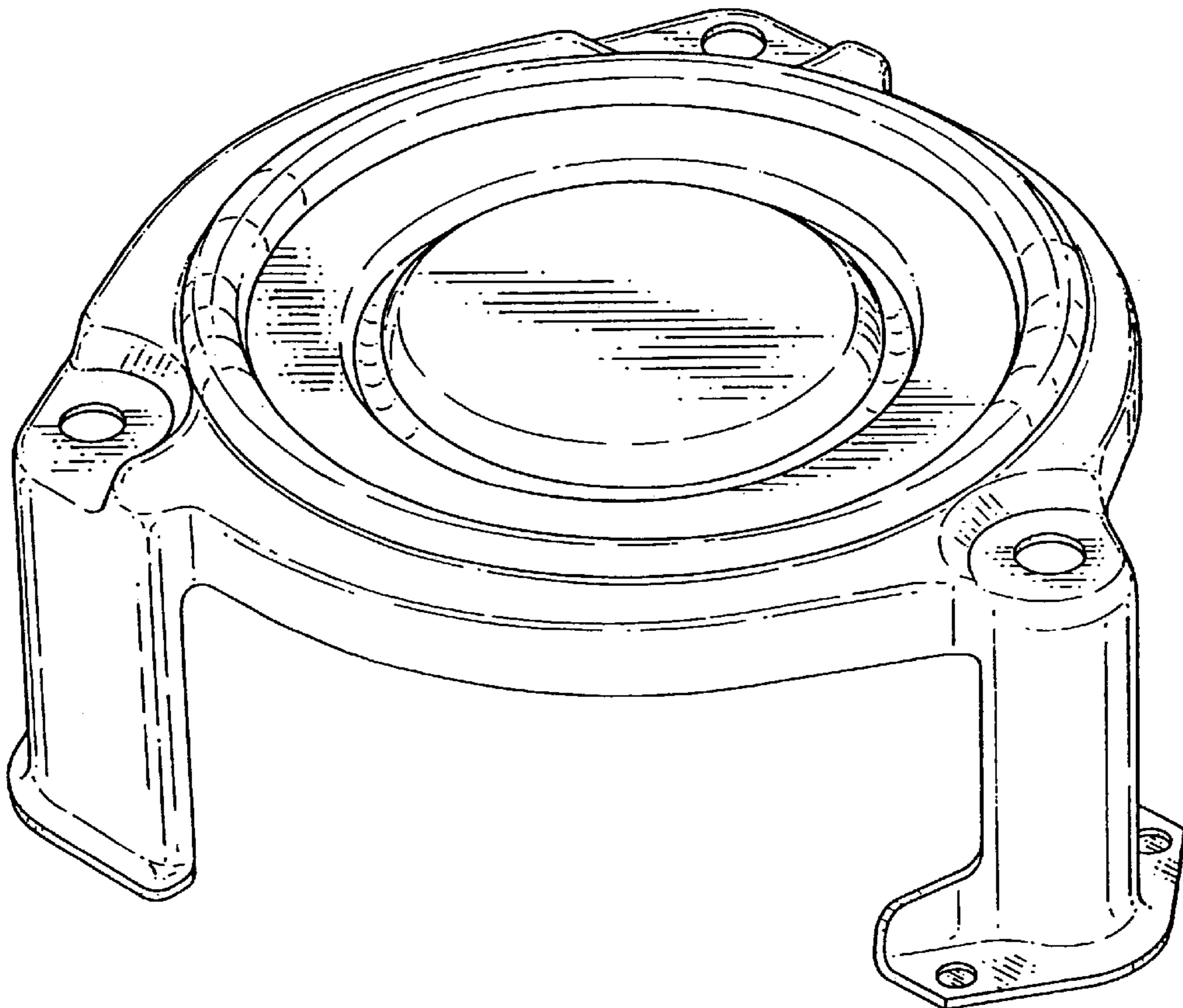


FIG. 1

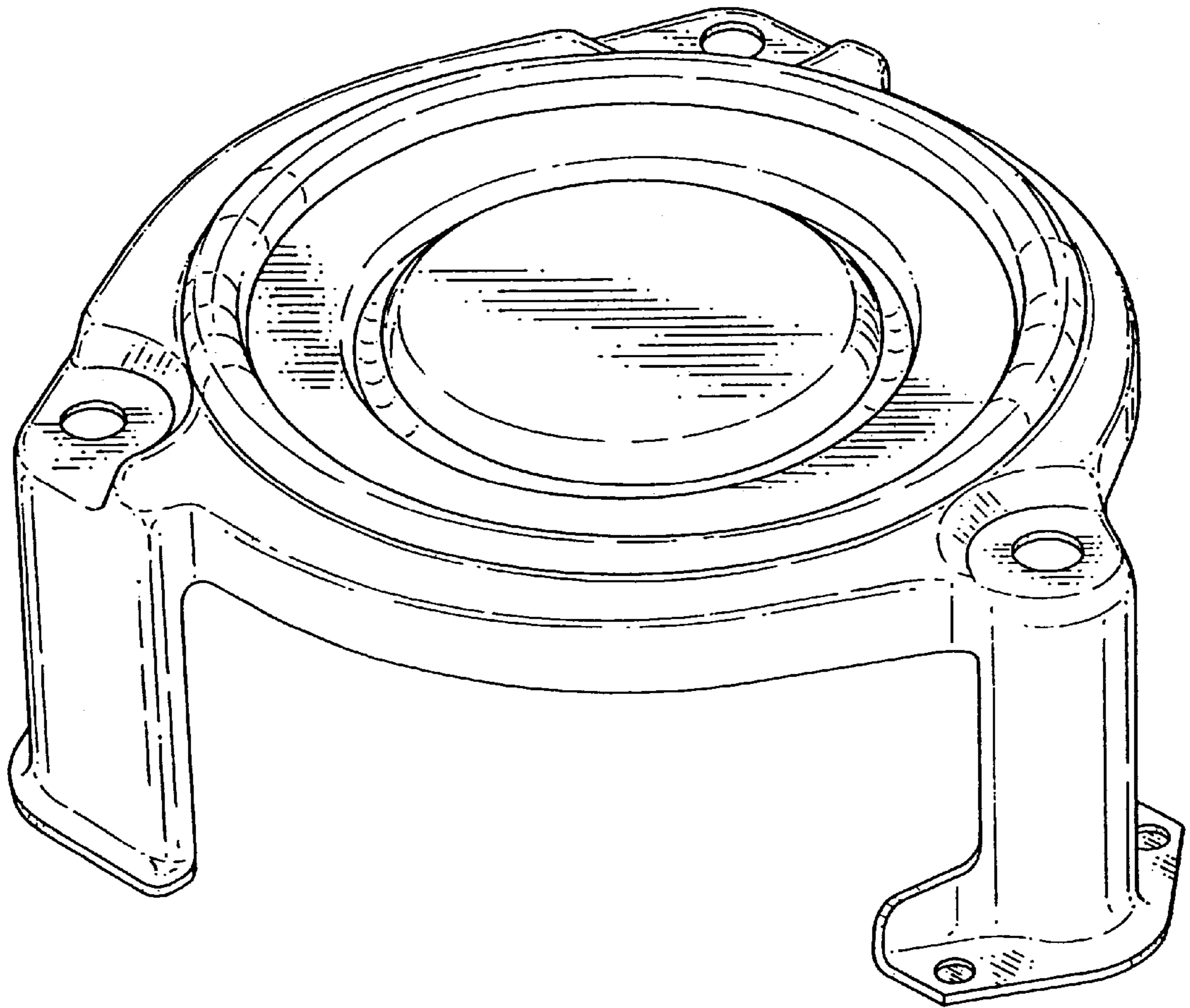


FIG. 2

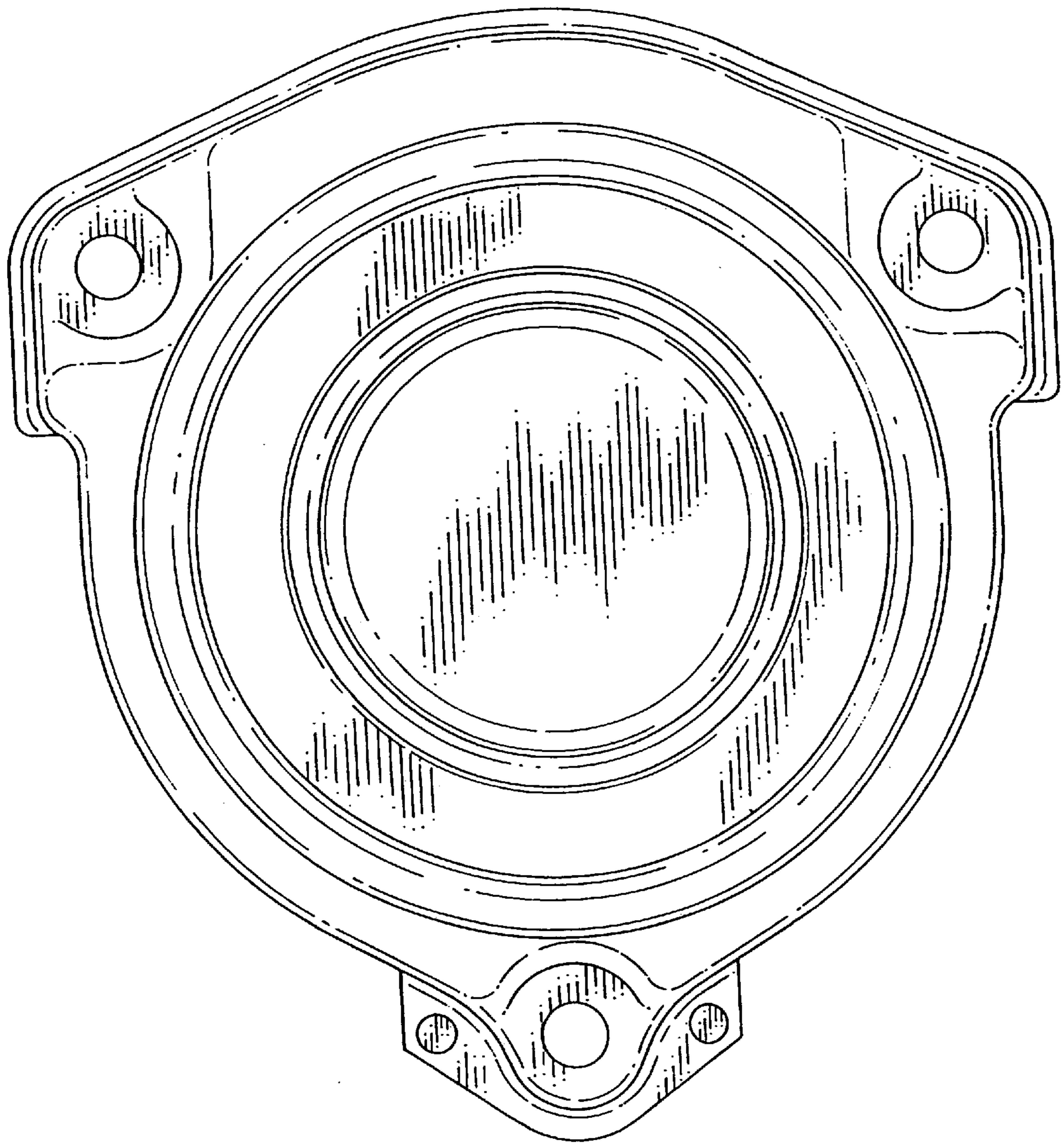


FIG. 3

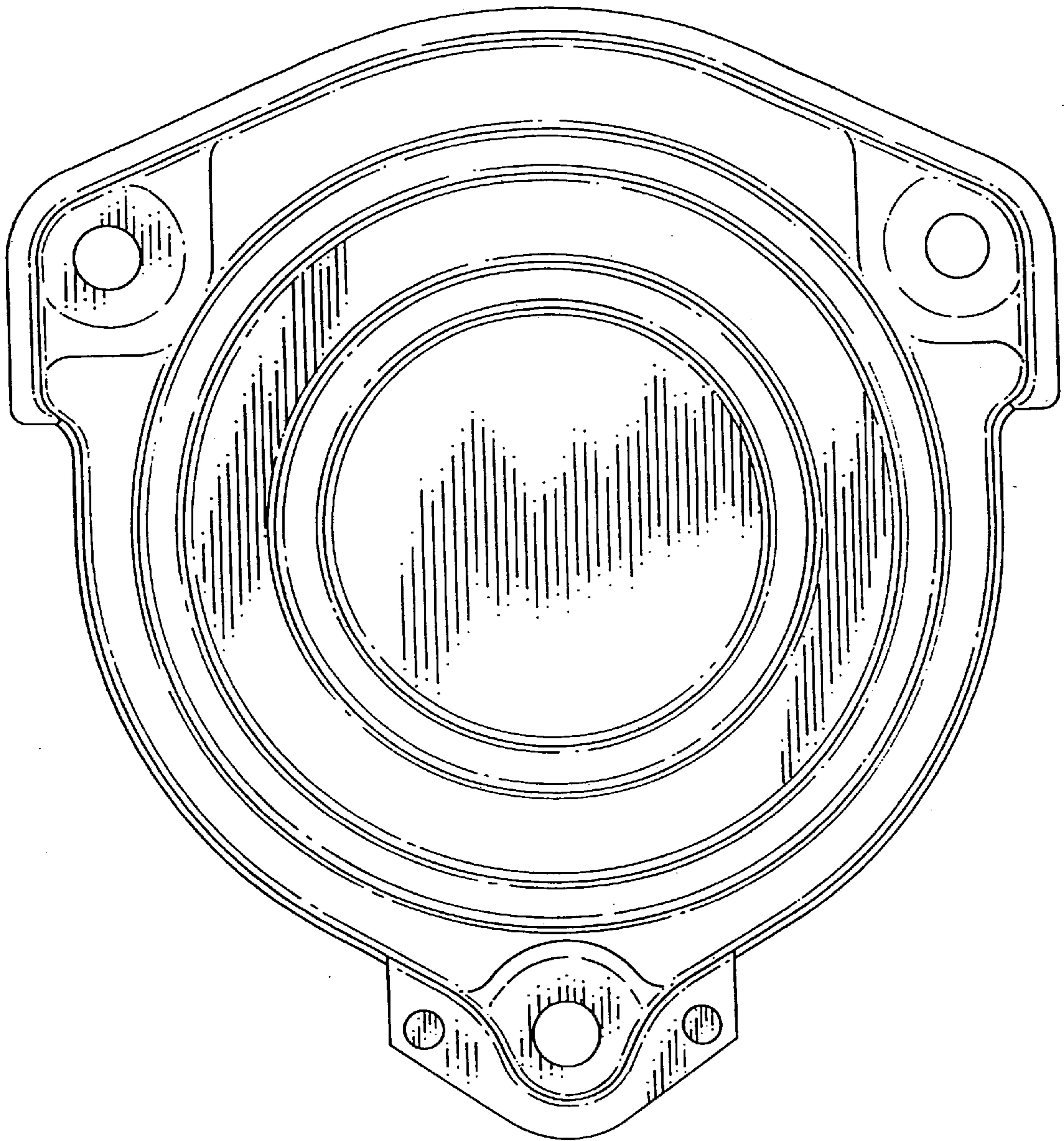


FIG. 4

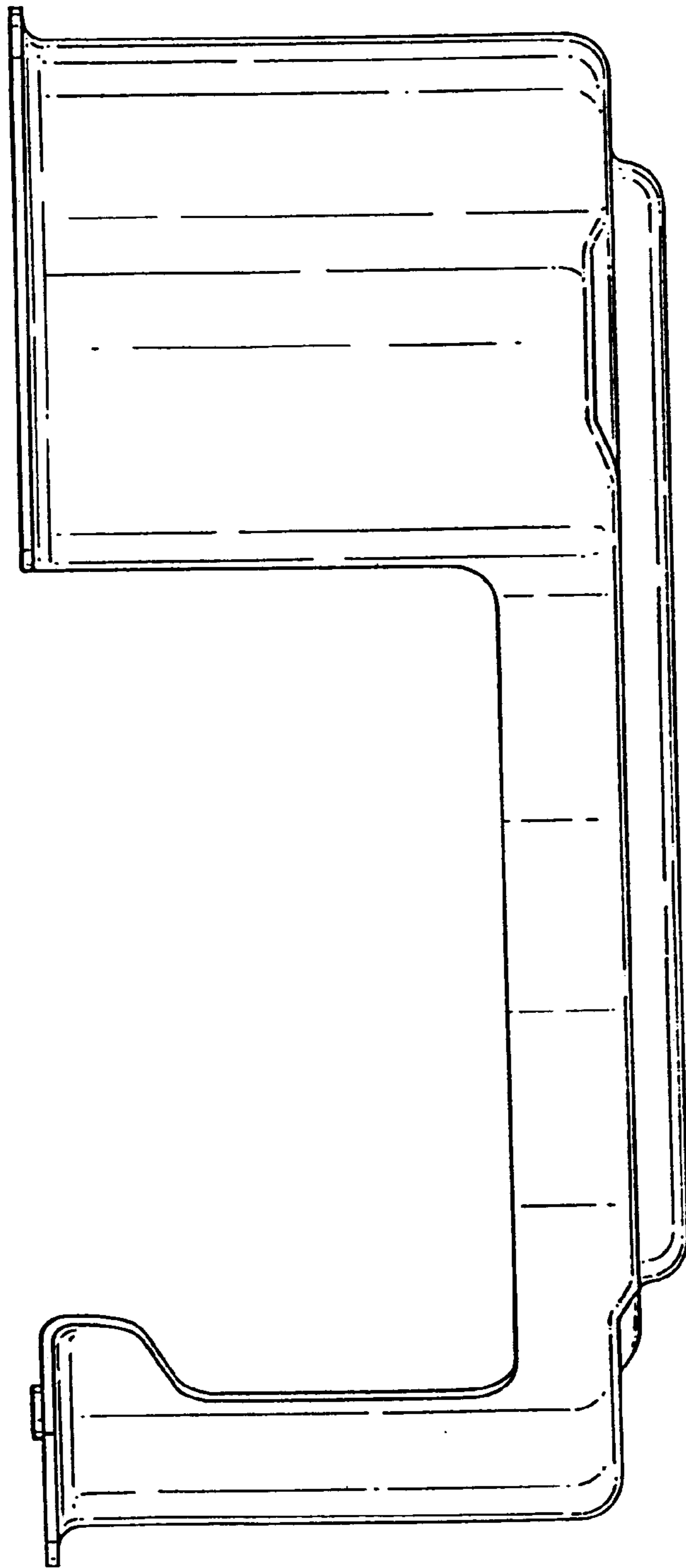


FIG. 5

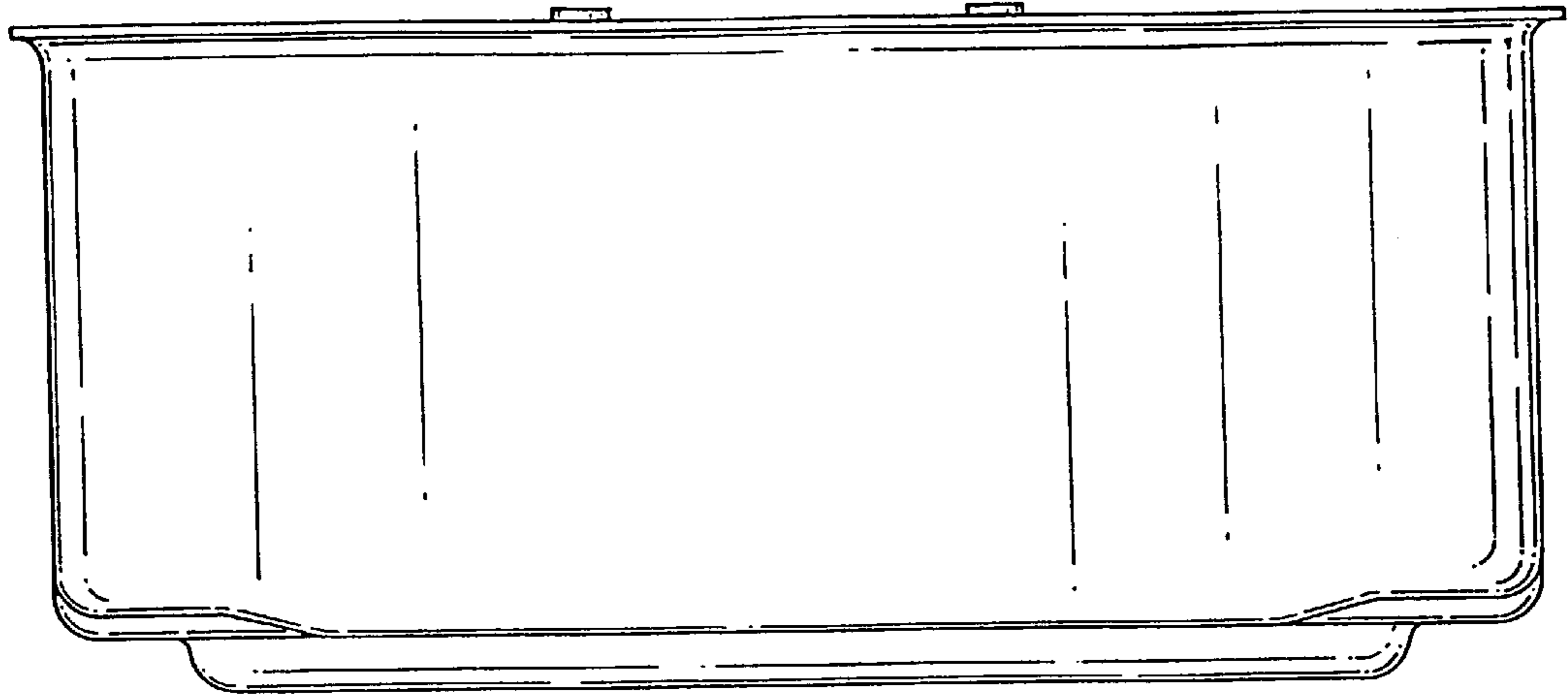


FIG. 6

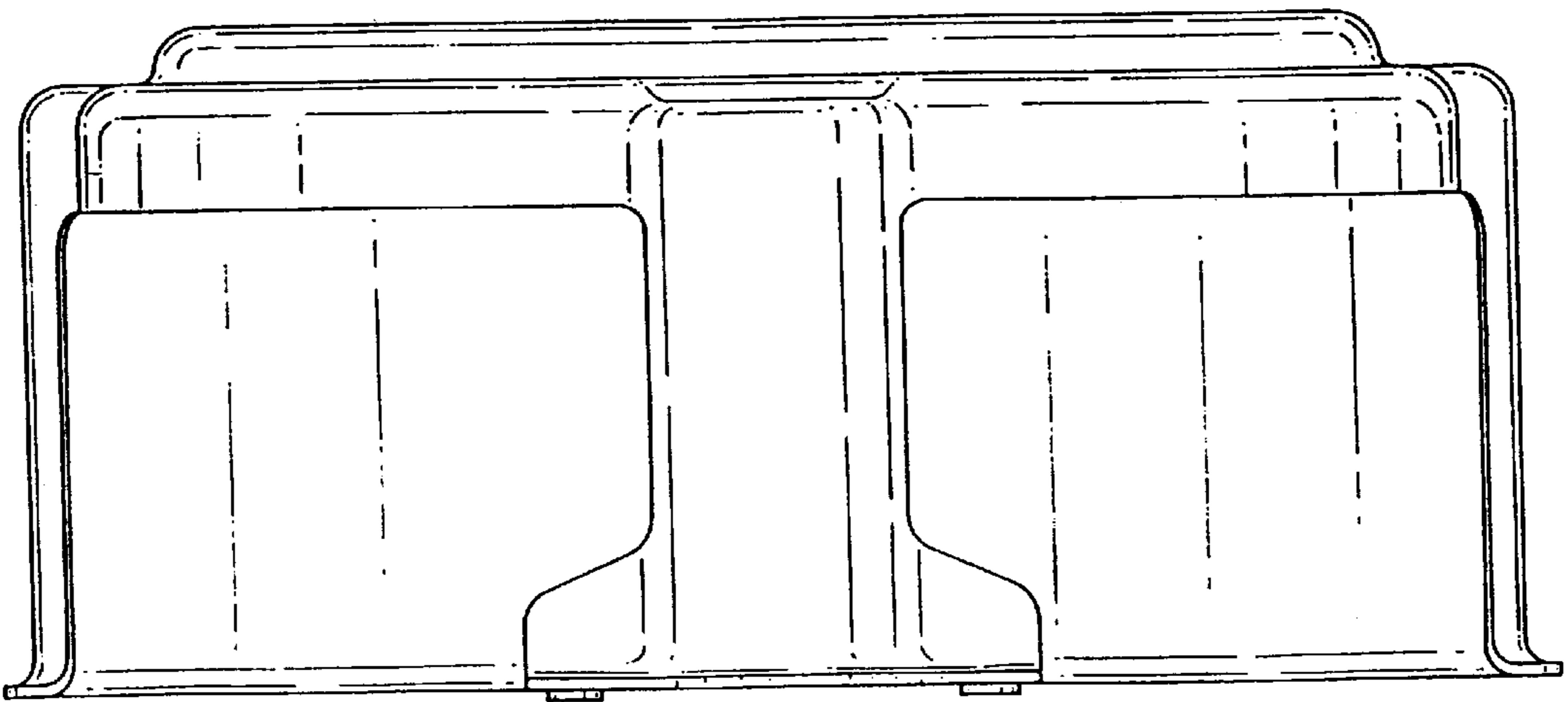


FIG. 7

