



US00D424268S

United States Patent [19] Boholst

[11] Patent Number: Des. 424,268

[45] Date of Patent: ** May 2, 2000

[54] PORTABLE LIFT

[76] Inventor: John Boholst, 134, Finchley Road.,
London, United Kingdom, NW3 SHS

[**] Term: 14 Years

[21] Appl. No.: 29/078,277

[22] Filed: Oct. 23, 1997

[51] LOC (7) Cl. 12-05

[52] U.S. Cl. D34/28

[58] Field of Search D34/28, 30, 31,
D34/32, 23, 35, 36; 212/94, 179, 294, 295,
901; 248/588, 421; 254/45, 9 C, 9 B, 122,
2 B, 2 C; 182/90, 152; 414/11, 343, 483;
187/200, 243, 244

[56] References Cited

U.S. PATENT DOCUMENTS

D. 307,814	5/1990	Kawana	D34/31
D. 308,743	6/1990	Kawana	D34/31
D. 365,907	1/1996	Mishler	D34/28
D. 370,758	6/1996	McCanse	D34/28
D. 373,880	9/1996	Wrobel	D34/28

D. 375,603	11/1996	Carver	D34/28
3,382,988	5/1968	O'reilly	.	
4,026,387	5/1977	Abreu	187/200
4,995,130	2/1991	Hahn et al.	.	
5,002,293	3/1991	Gottselig	248/421 X
5,228,538	7/1993	Tremblay	187/200
5,632,209	5/1997	Sakakibara	248/588 X
5,755,309	5/1998	Harman et al.	187/200
5,810,117	9/1998	Wood	187/244

Primary Examiner—Susan J. Lucas
Assistant Examiner—Cynthia Ramirez

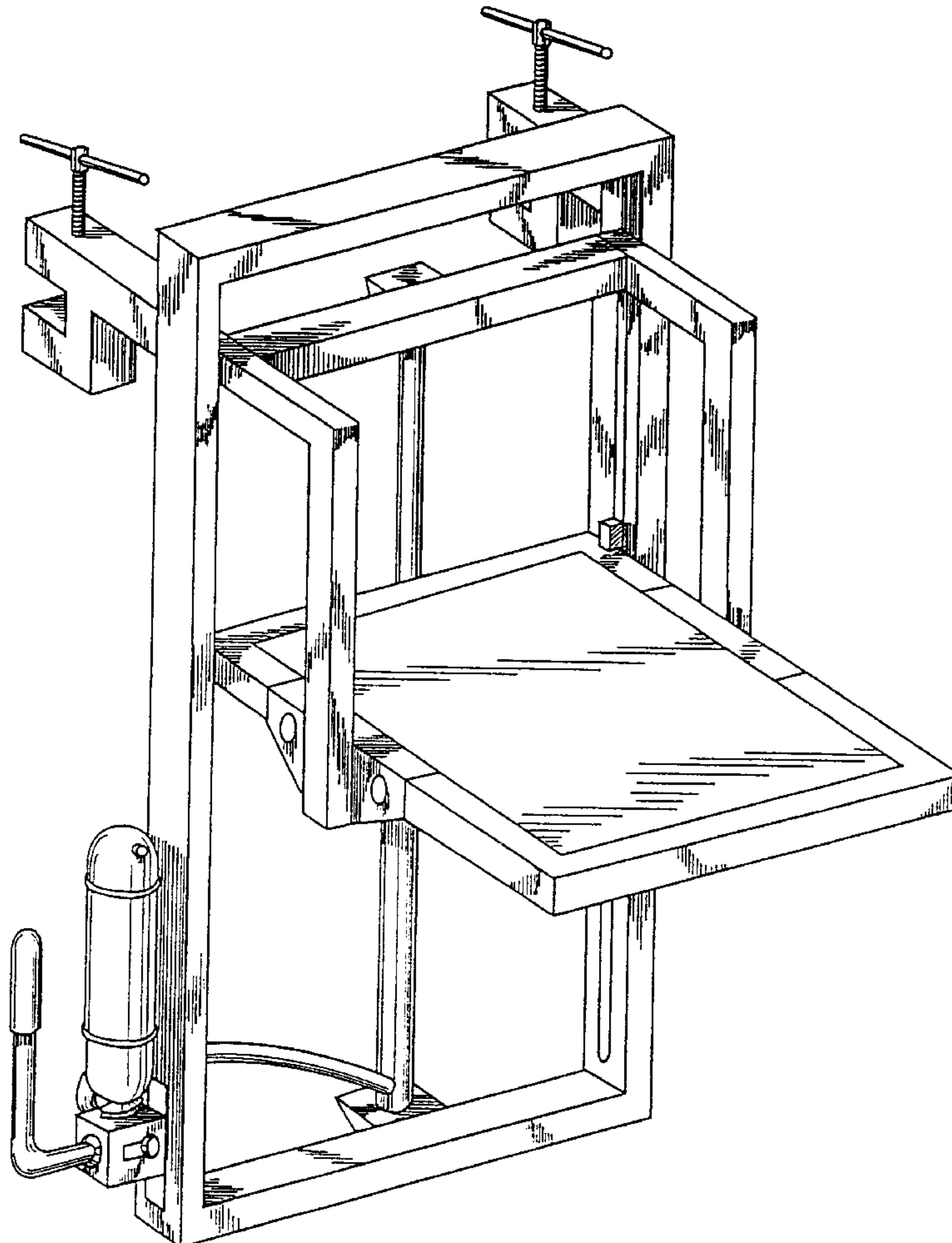
[57] CLAIM

The ornamental design for a portable lift, as shown and described.

DESCRIPTION

FIG. 1 is a view of the front face of the portable lift;
FIG. 2 is a view of the rear face of the portable lift;
FIG. 3 is a view of the right face of the portable lift;
FIG. 4 is a view of the left face of the portable lift;
FIG. 5 is a view of the top face of the portable lift;
FIG. 6 is a view of the bottom face of the portable lift; and,
FIG. 7 is an isometric view of the portable lift.

1 Claim, 7 Drawing Sheets



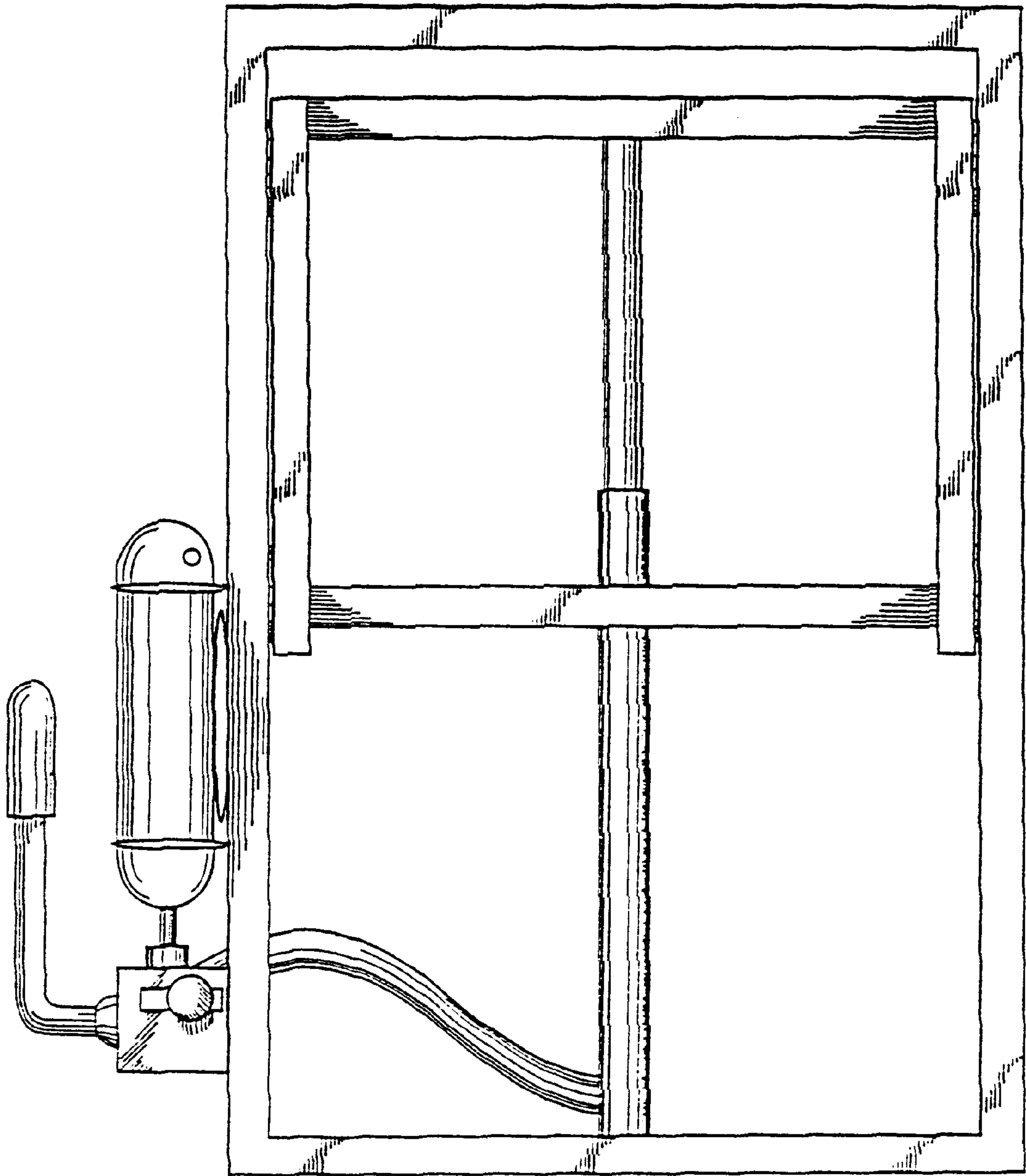


Fig. 1

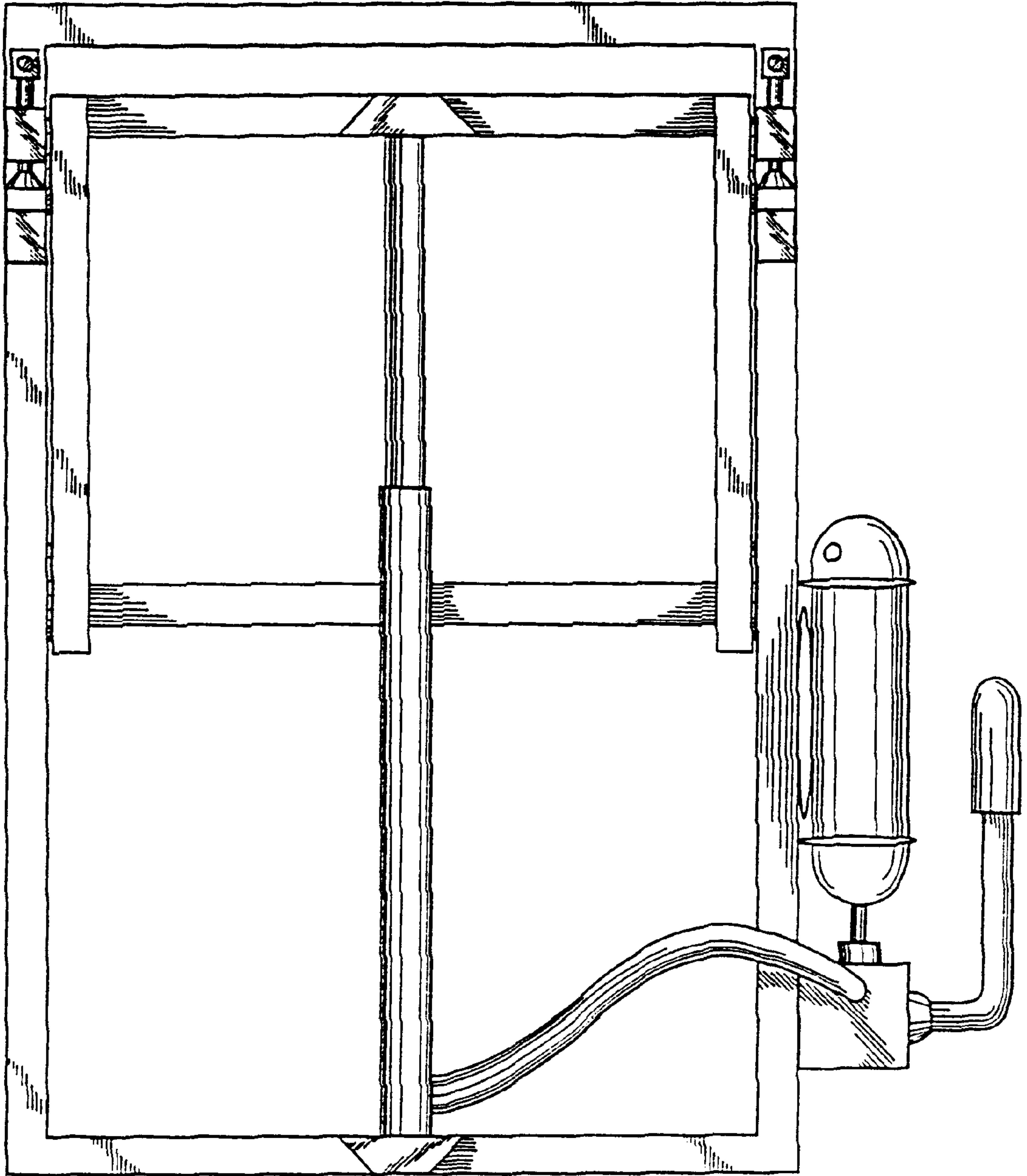


Fig. 2

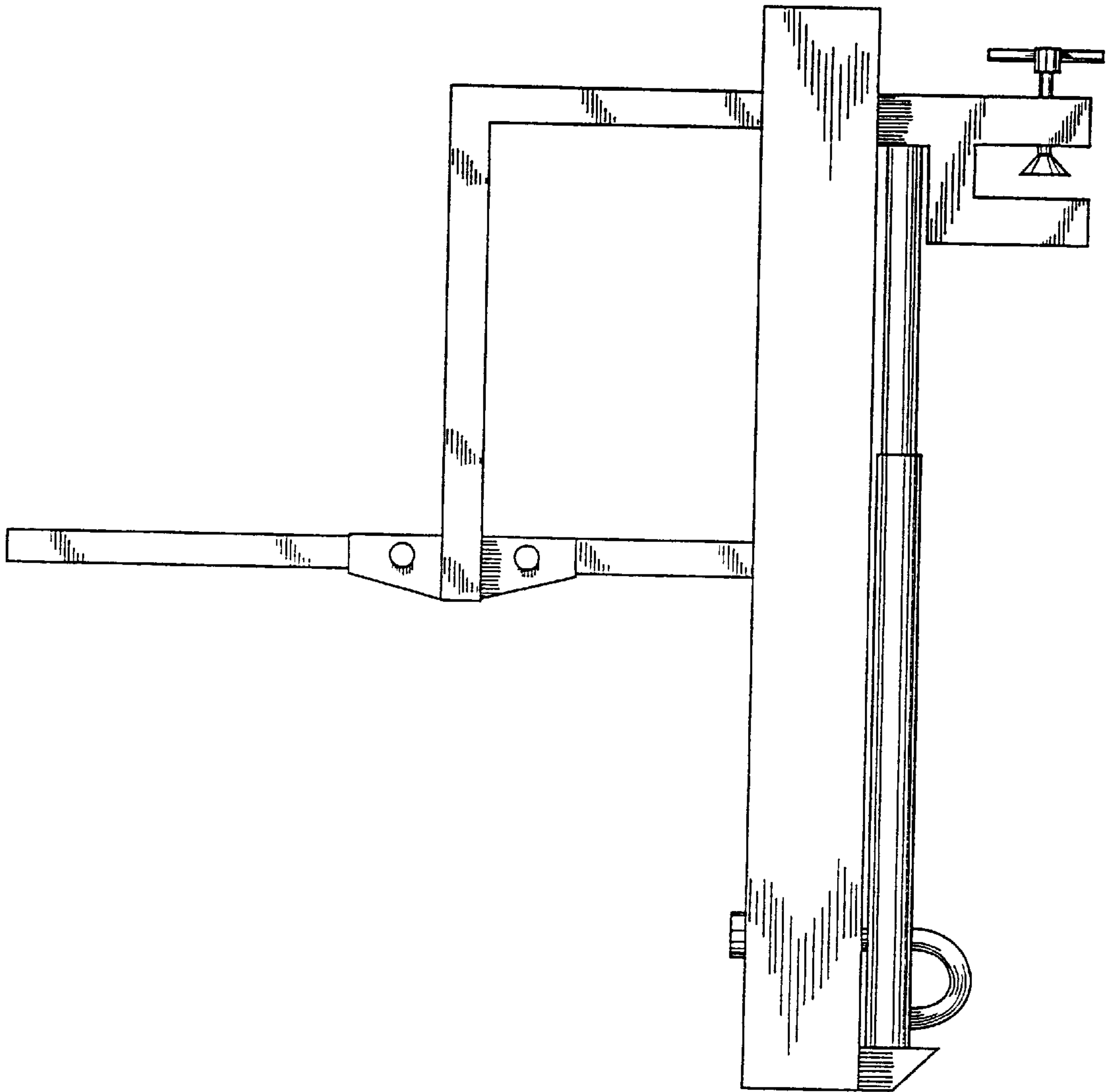


Fig. 3

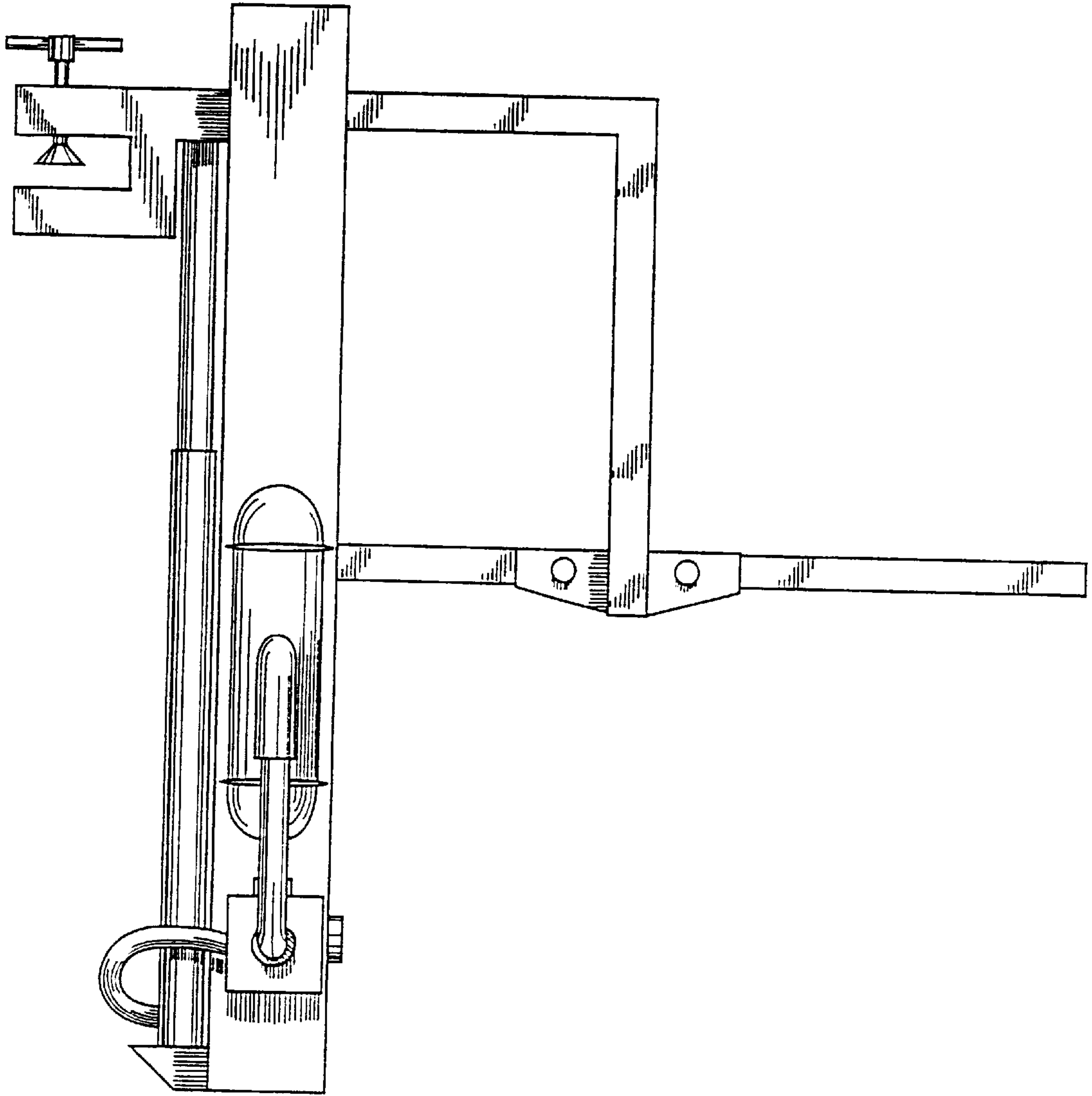


Fig. 4

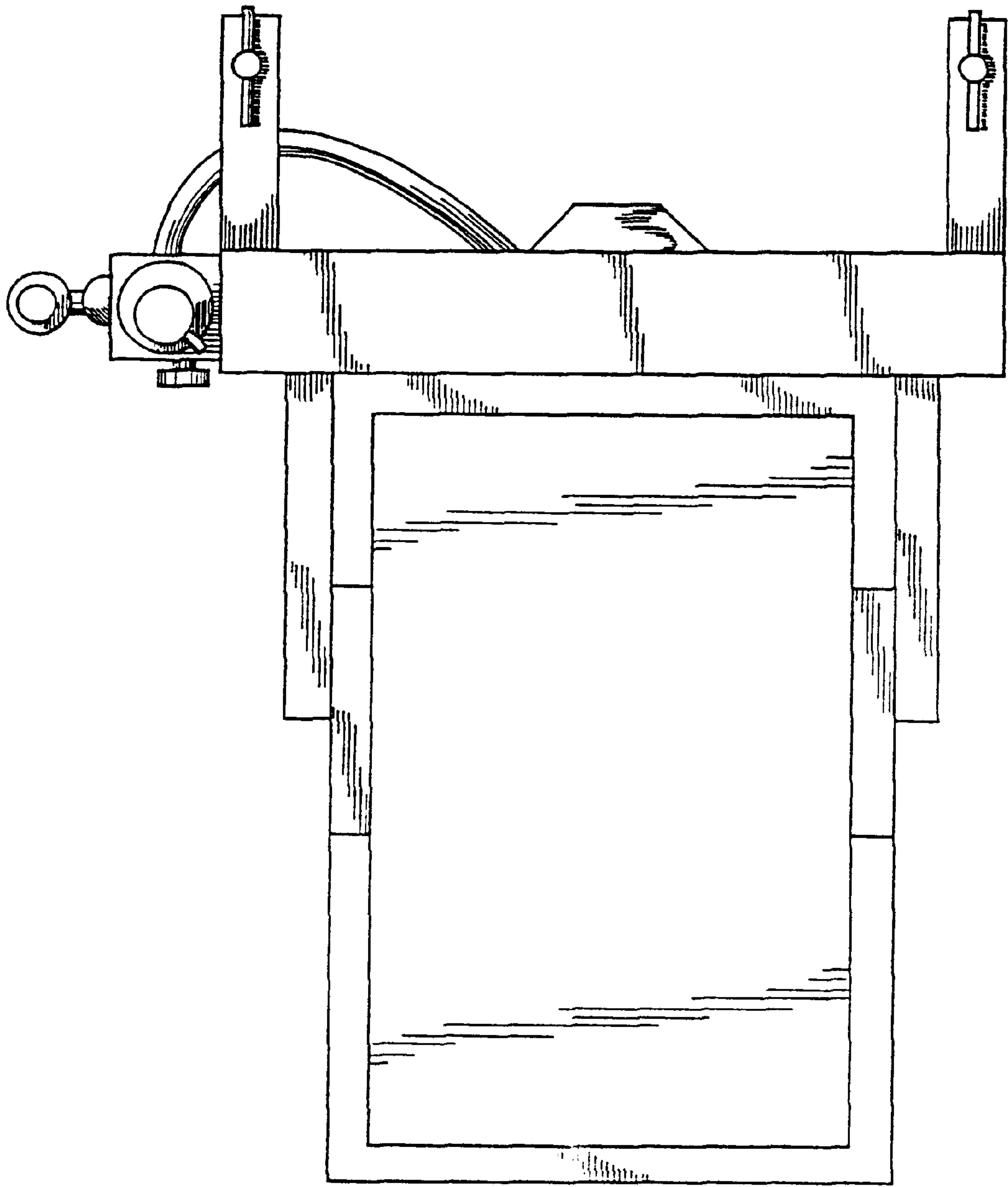


Fig. 5

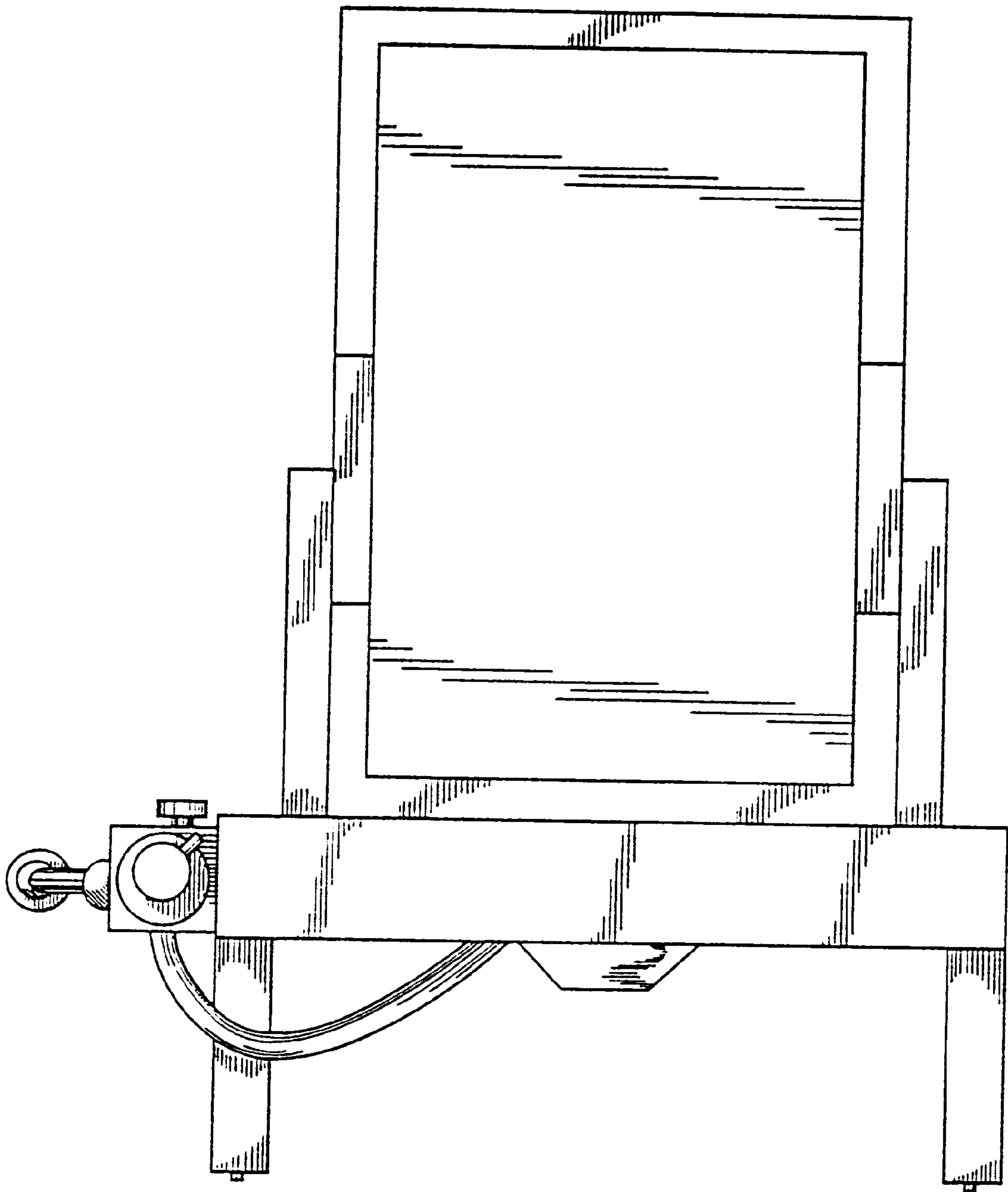


Fig. 6

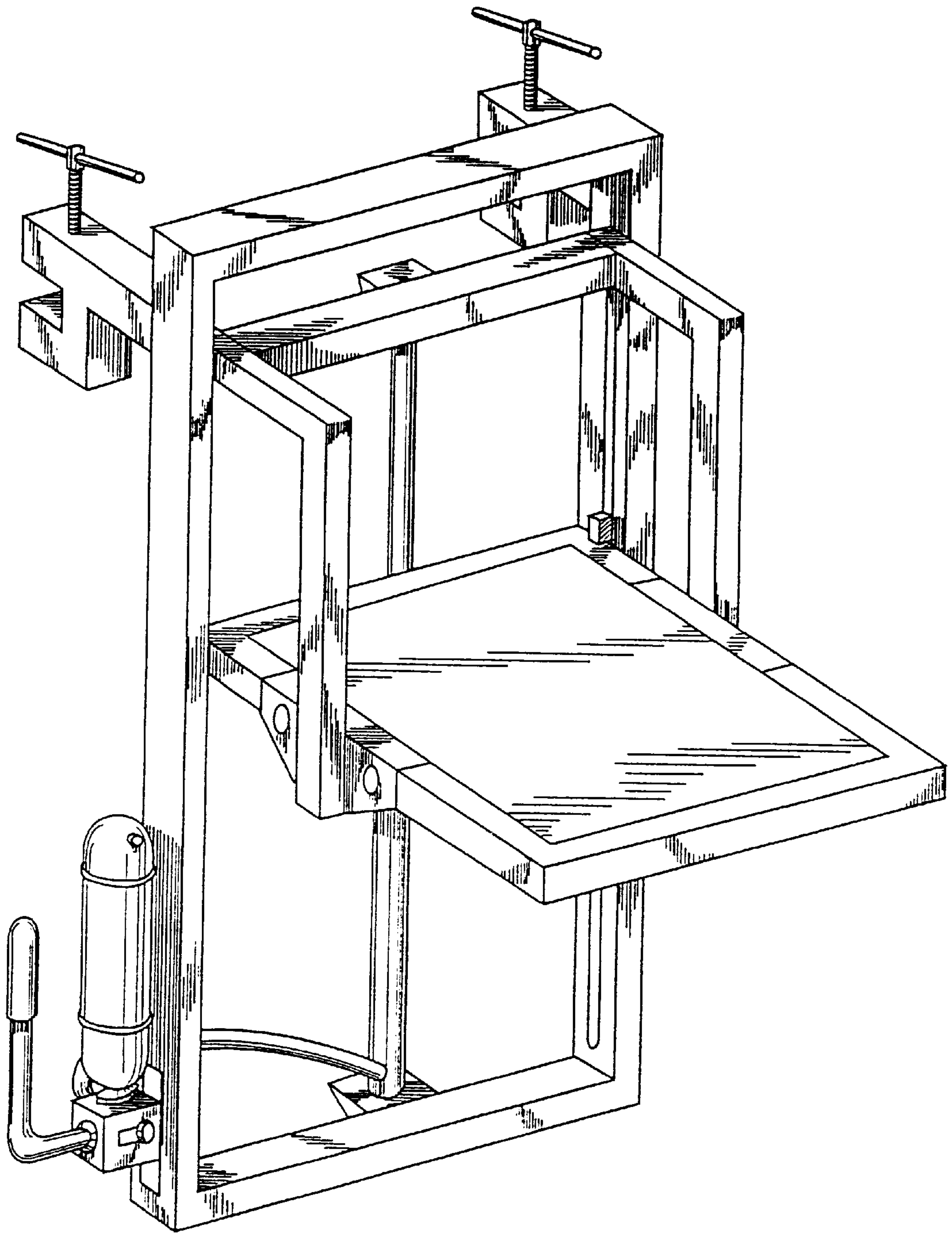


Fig. 7