



US00D424266S

**United States Patent** [19]  
**McIntyre**

[11] **Patent Number: Des. 424,266**

[45] **Date of Patent: \*\* May 2, 2000**

[54] **PUSH CART**

[76] Inventor: **Ray G. McIntyre**, P.O. Box 440, Grand Island, Fla. 32735

[\*\*] Term: **14 Years**

[21] Appl. No.: **29/098,502**

[22] Filed: **Dec. 31, 1998**

[51] **LOC (7) Cl.** ..... **12-02**

[52] **U.S. Cl.** ..... **D34/24; D34/12**

[58] **Field of Search** ..... **D34/12-27; 280/47.24, 280/47.26, 47.29, 652, 654, 645, 47.131**

[56] **References Cited**

**U.S. PATENT DOCUMENTS**

|            |         |                  |        |
|------------|---------|------------------|--------|
| D. 292,639 | 11/1987 | Kean et al. .... | D34/15 |
| D. 327,968 | 7/1992  | Wright .....     | D34/24 |
| D. 402,433 | 12/1998 | Wells .....      | D34/24 |
| 3,035,847  | 5/1962  | Born .           |        |
| 3,222,100  | 12/1965 | Lindzy .         |        |
| 3,827,707  | 8/1974  | Bierman .        |        |
| 4,248,453  | 2/1981  | Stark .          |        |
| 4,335,895  | 6/1982  | Walker .         |        |

5,328,192 7/1994 Thompson .  
5,330,212 7/1994 Gardner .  
5,375,277 12/1994 Carr et al. .

*Primary Examiner*—Kay H. Chin  
*Attorney, Agent, or Firm*—David G. Maire; Holland & Knight, LLP

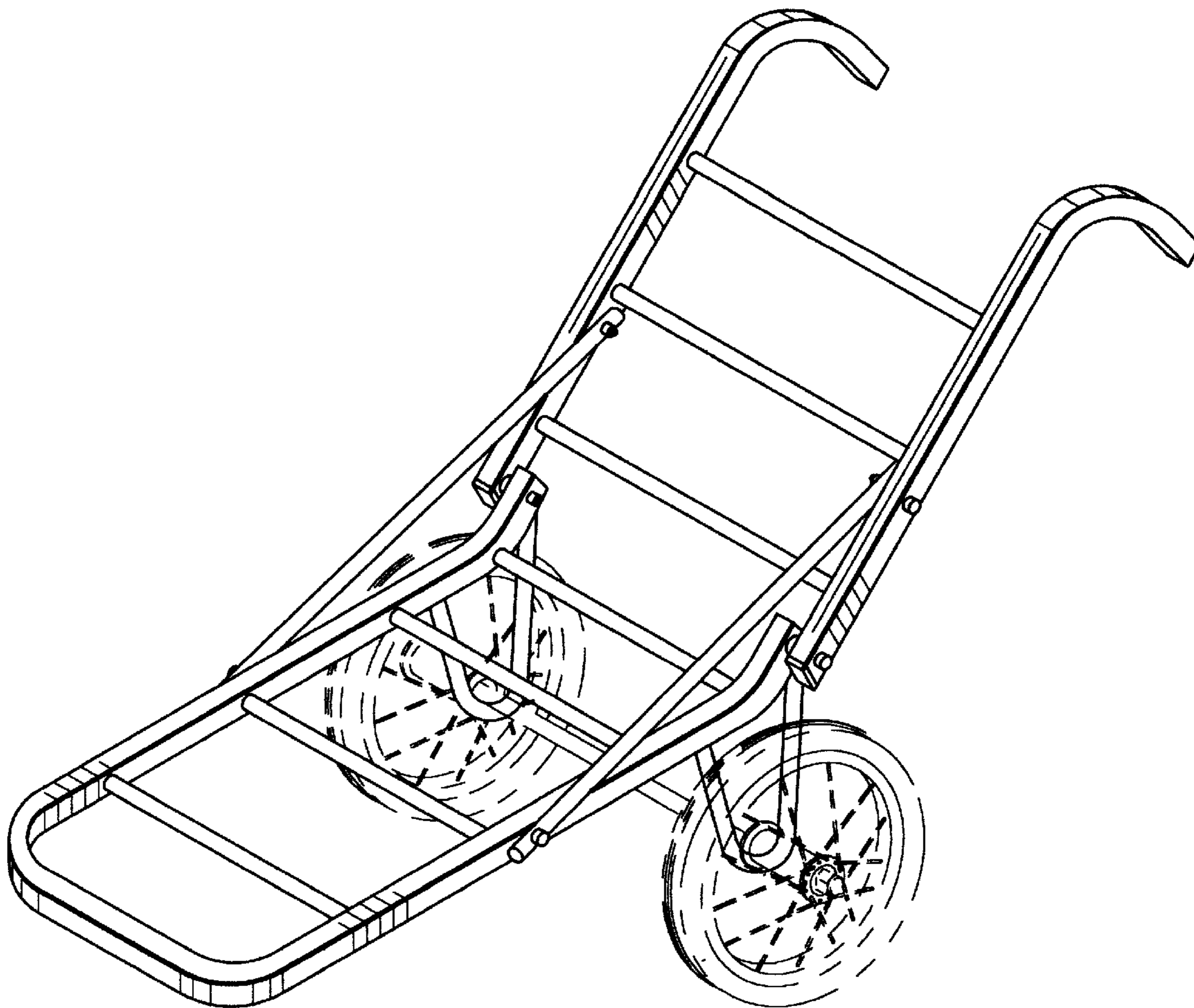
[57] **CLAIM**

The ornamental design for a push cart, as shown and described.

**DESCRIPTION**

FIG. 1 is a perspective view of a push cart showing my new design;  
FIG. 2 is a front view thereof;  
FIG. 3 is a rear view thereof;  
FIG. 4 is a left side view thereof;  
FIG. 5 is a right side view thereof;  
FIG. 6 is a top view thereof; and,  
FIG. 7 is a bottom view thereof.  
The broken lines shown in FIGS. 1 through 7 are for illustrative purposes only and form no part of the claimed design.

**1 Claim, 3 Drawing Sheets**



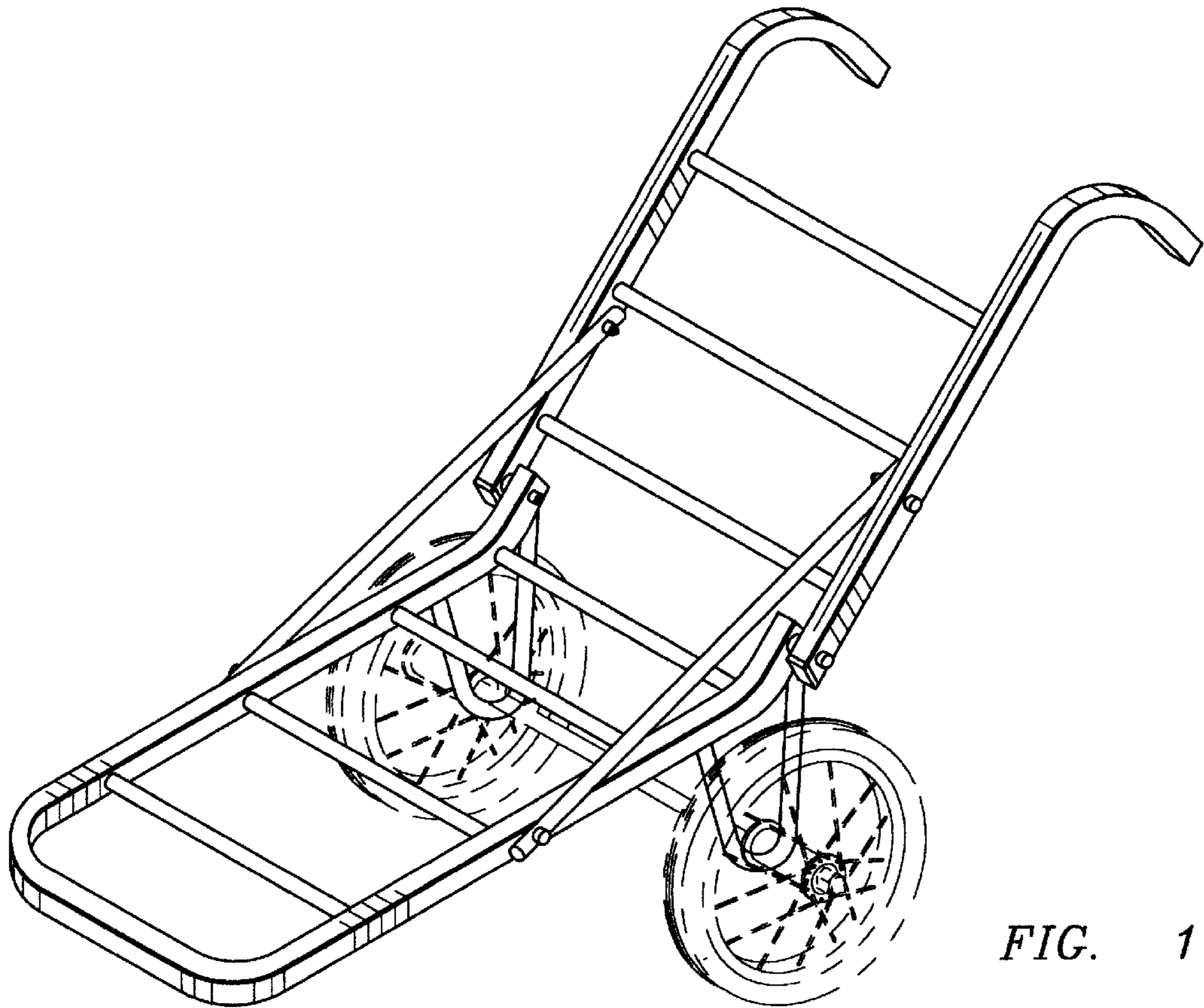


FIG. 1

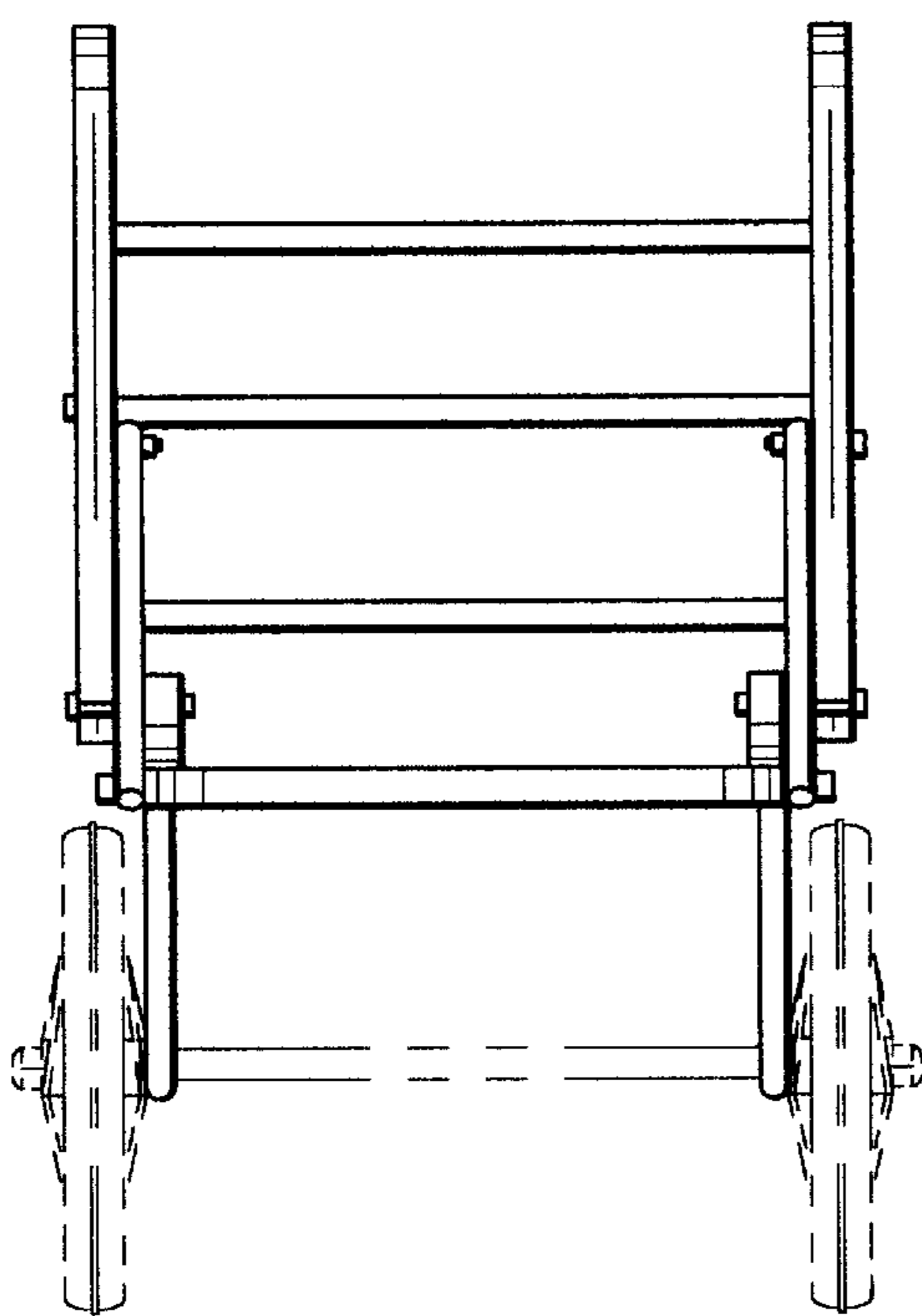


FIG. 2

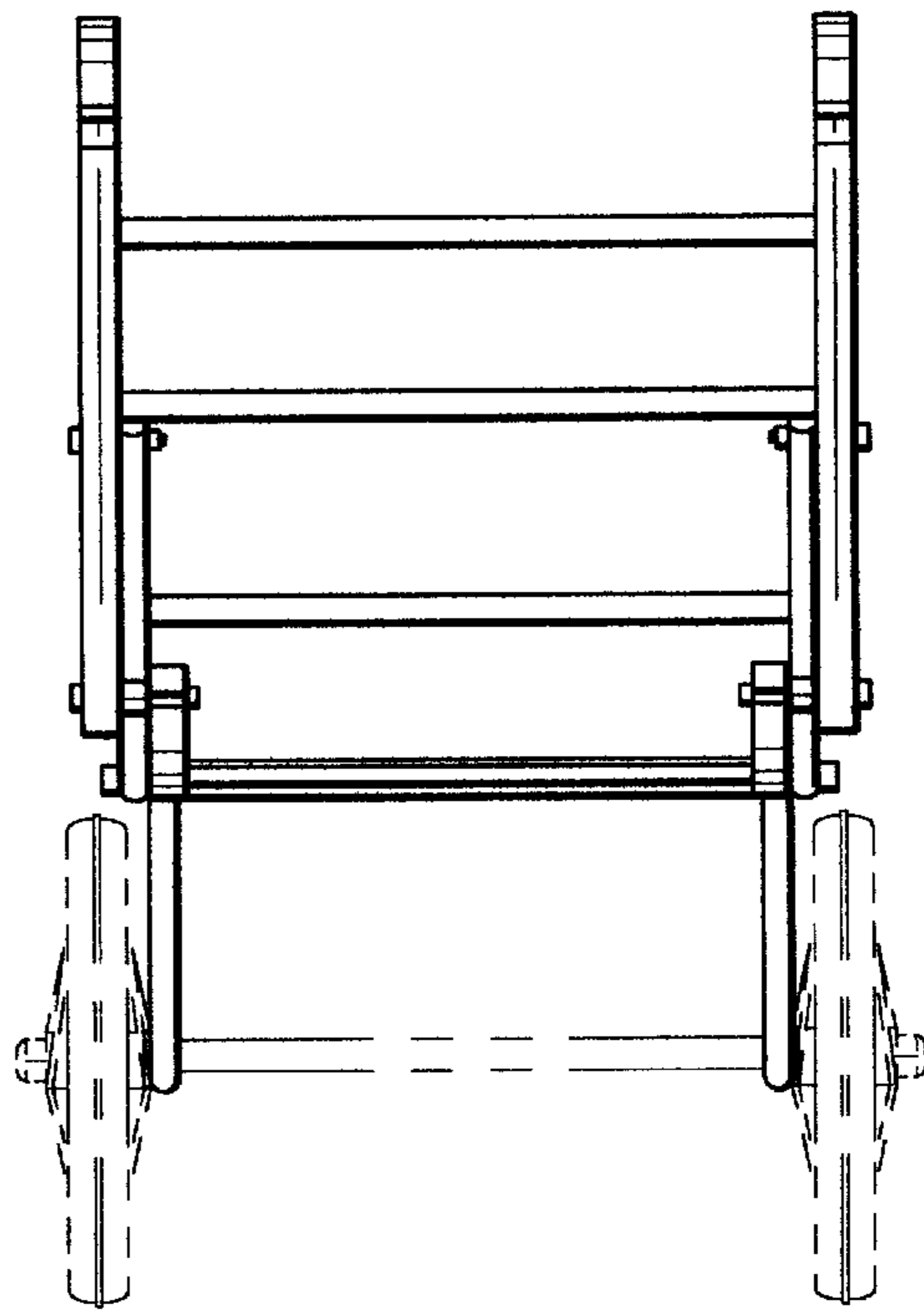


FIG. 3

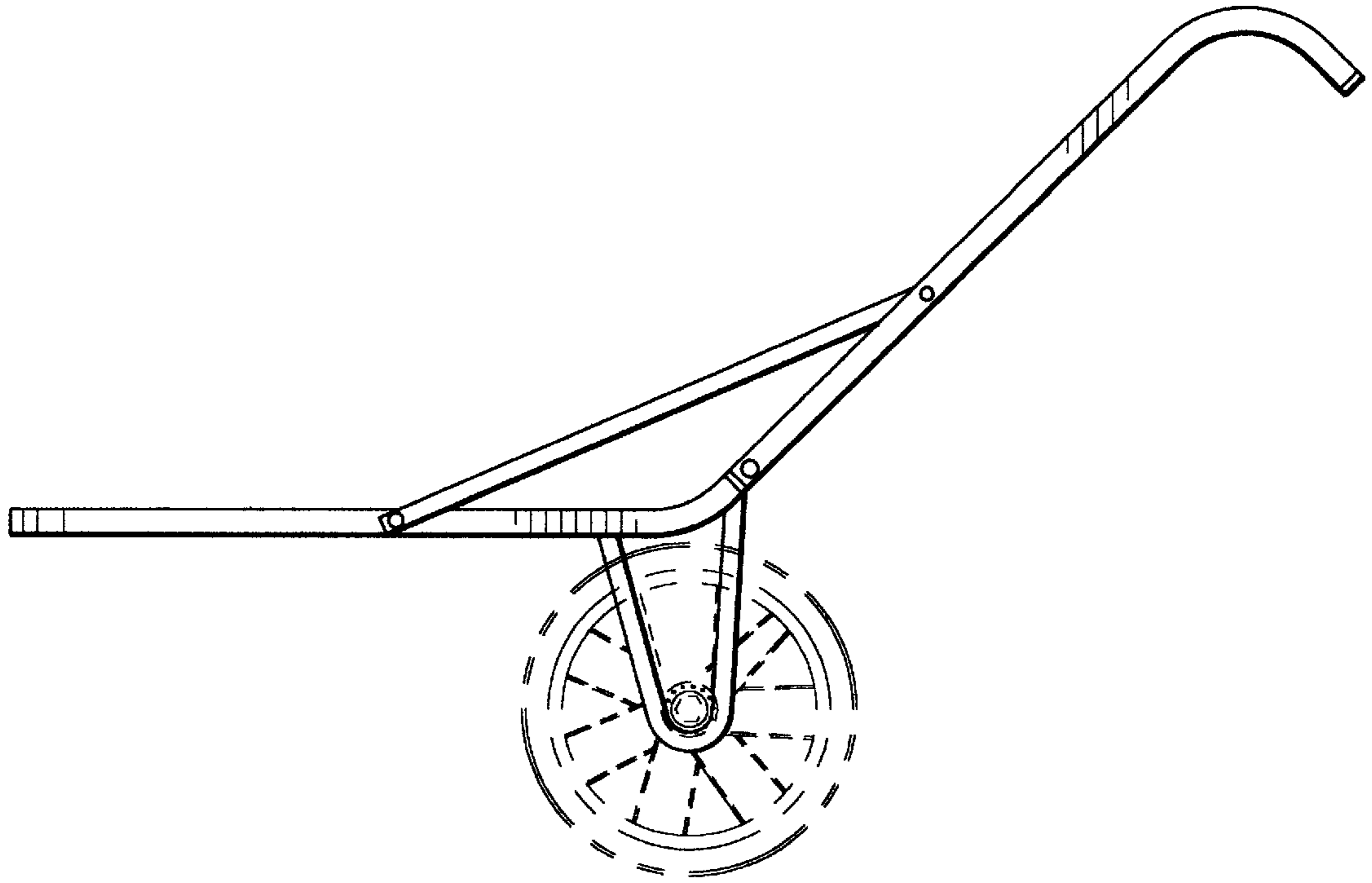


FIG. 4

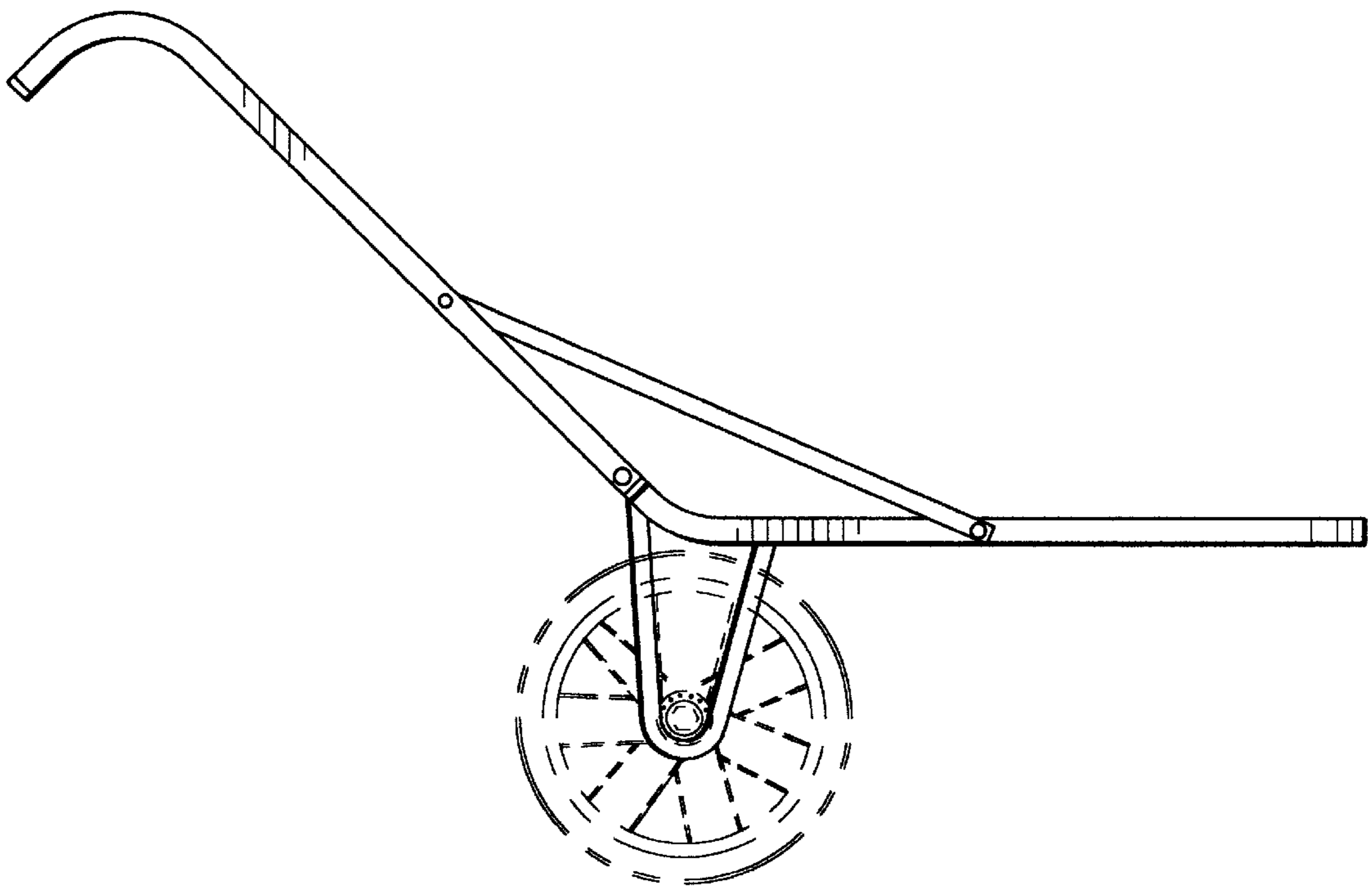


FIG. 5

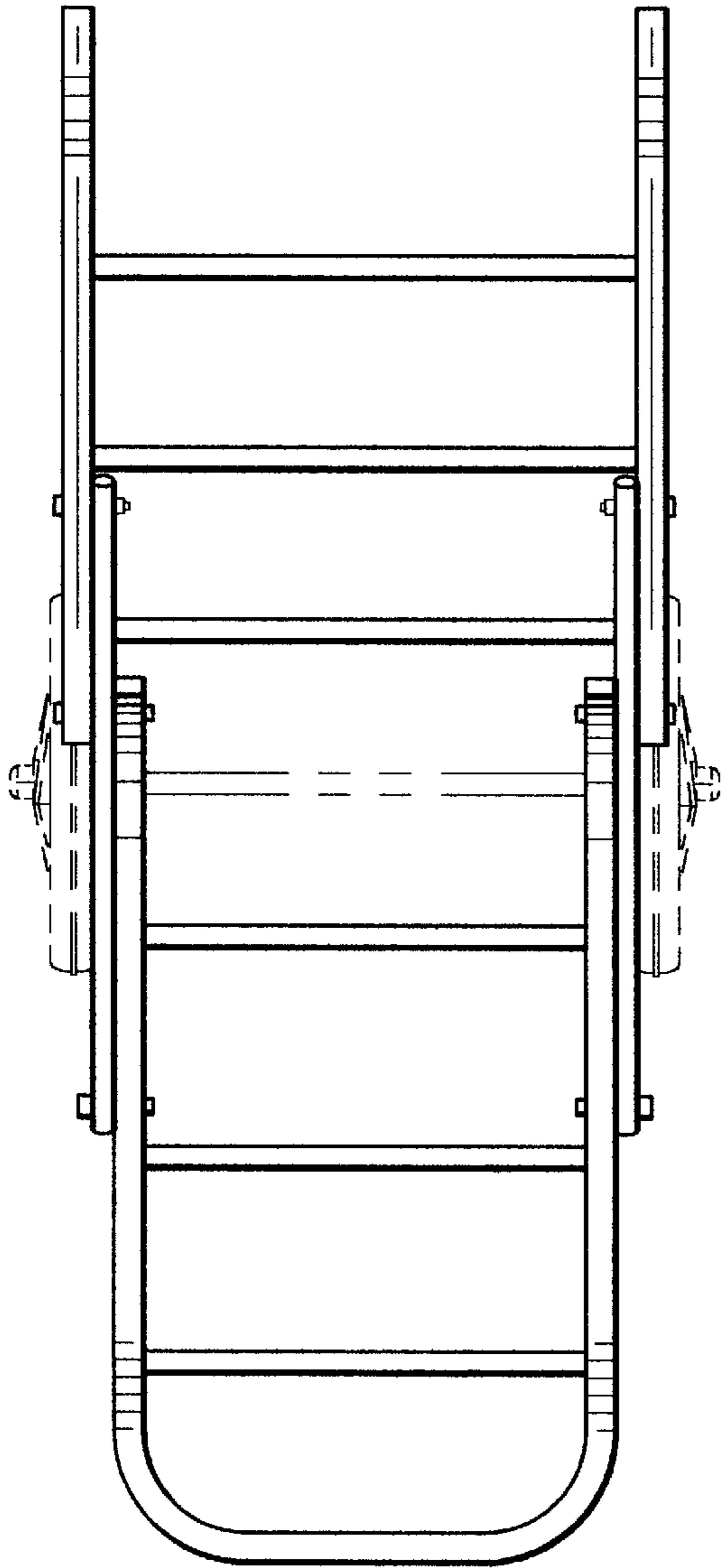


FIG. 7

FIG. 6

