



US00D424265S

# United States Patent [19] Rosky

[11] Patent Number: Des. 424,265

[45] Date of Patent: \*\* May 2, 2000

[54] SUPPORT FRAME FOR PLASTIC BAG WITH HANDLES

[76] Inventor: Gregory C. Rosky, 2110 Wakonda View Dr., Des Moines, Iowa 50321

[\*\*] Term: 14 Years

[21] Appl. No.: 29/094,955

[22] Filed: Oct. 14, 1998

[51] LOC (7) Cl. .... 06-04

[52] U.S. Cl. .... D34/6; D6/462

[58] Field of Search ..... D6/458, 462-468, D6/475; D34/5, 6; 248/97, 99, 100; 211/85.15

5,018,691 5/1991 King ..... 248/97 X  
5,263,672 11/1993 He .  
5,427,340 6/1995 Stromsmoe et al. .  
5,671,861 9/1997 Hall et al. .  
5,711,499 1/1998 Sectish .

Primary Examiner—Doris V. Coles  
Assistant Examiner—Linda Brooks  
Attorney, Agent, or Firm—Zarley, McKee, Thomte, Voorhees & Sease

### [57] CLAIM

The ornamental design for a support frame for plastic bag with handles, as shown and described.

### DESCRIPTION

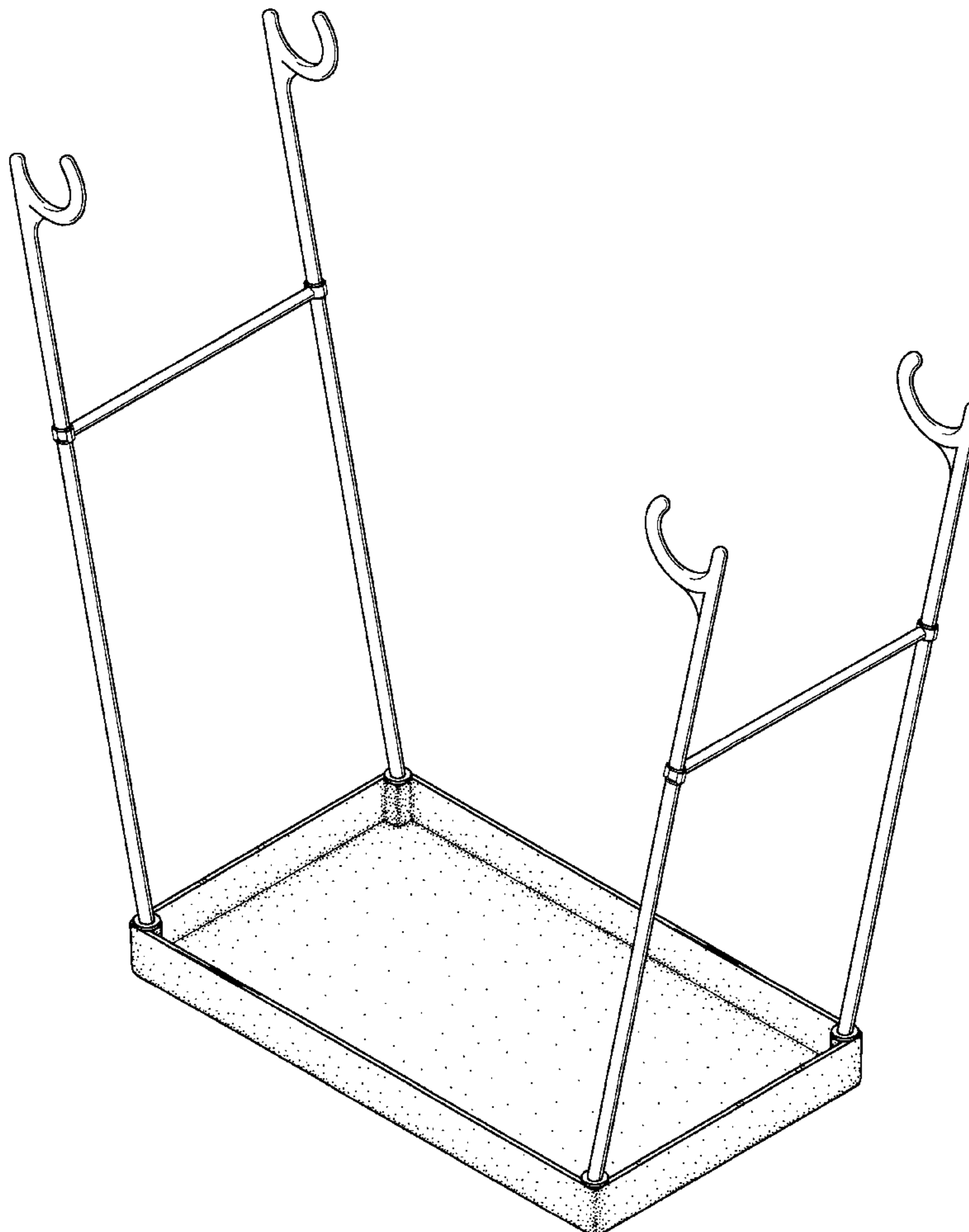
FIG. 1 is a perspective view of a support frame for a plastic bag with handles;  
FIG. 2 is a side elevational view thereof, the opposite side view being a mirror image;  
FIG. 3 is an enlarged scale end elevational view thereof, the opposite end being a mirror image; and,  
FIG. 4 is an enlarged scale top plan view thereof.  
The bottom forms no part of the claimed design.

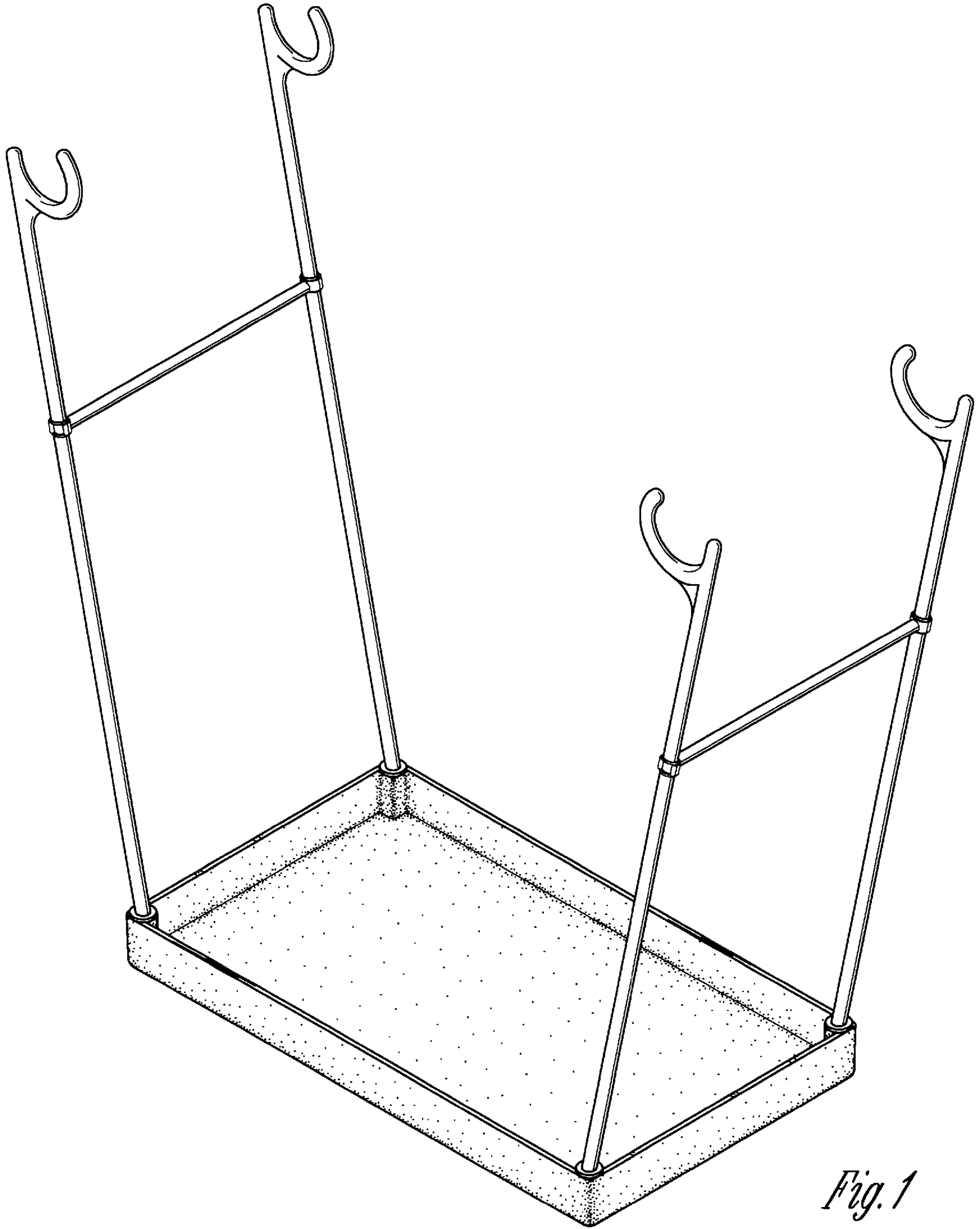
### [56] References Cited

#### U.S. PATENT DOCUMENTS

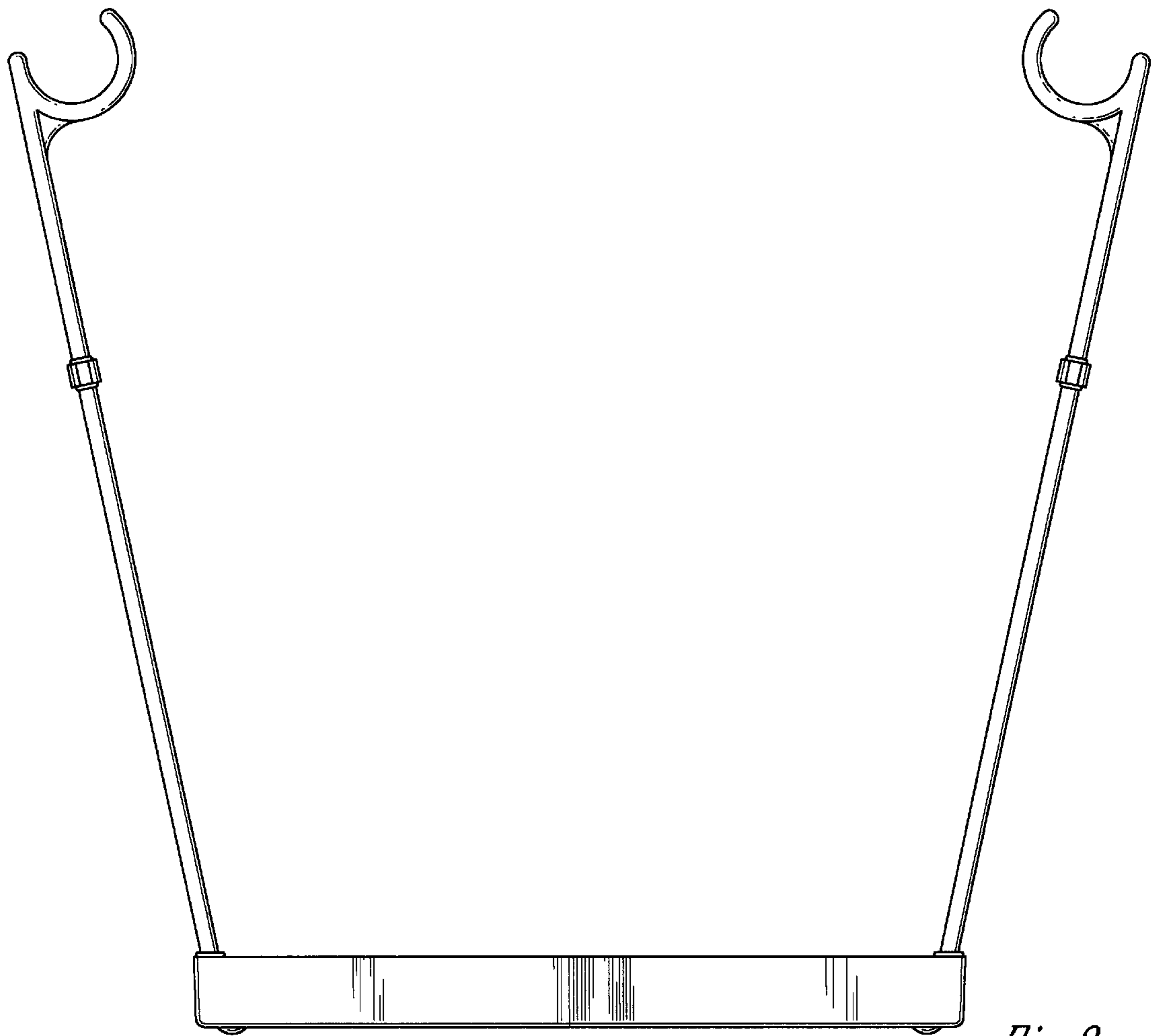
D. 399,624	10/1998	Lewis .....	D34/6
4,535,911	8/1985	Goulter .	
4,613,104	9/1986	Garrott .	
4,623,111	11/1986	Prader .....	248/97
4,921,193	5/1990	Benesch .	
4,930,735	6/1990	Lax .	
4,946,050	8/1990	Akopiantz .	
4,953,815	9/1990	Beymer et al. .	

1 Claim, 4 Drawing Sheets

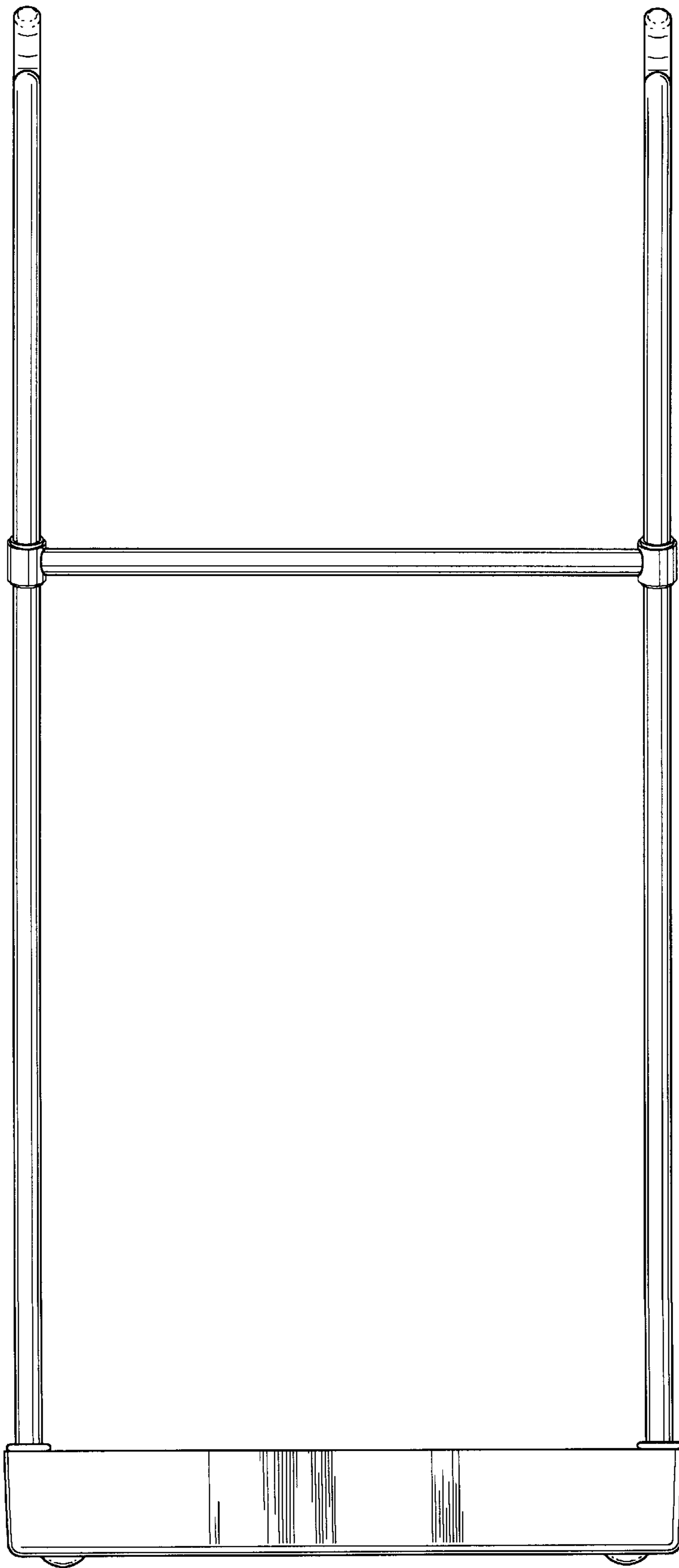




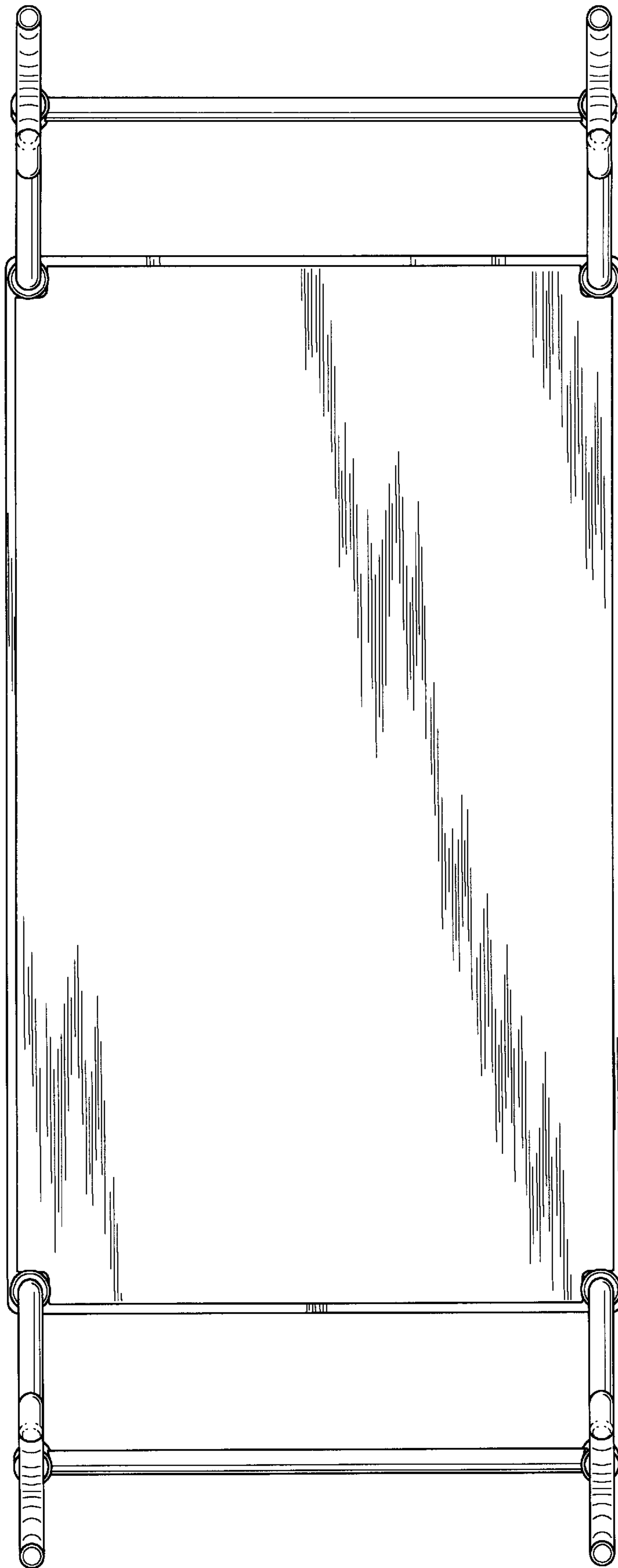
*Fig. 1*



*Fig. 2*



*Fig. 3*



*Fig. 4*