



US00D424263S

**United States Patent** [19]  
**Canni Ferrari et al.**

[11] **Patent Number: Des. 424,263**  
[45] **Date of Patent: \*\* May 2, 2000**

[54] **ELECTRIC BROOM**

[75] Inventors: **Cesare Mario Canni Ferrari**, Cassina De'Pecce, Italy; **Timmy H. Y. Sin**; **Chung Chi Ping**, both of Hong Kong, The Hong Kong Special Administrative Region of the People's Republic of China

[73] Assignee: **Royal Appliance Mfg. Co.**, Cleveland, Ohio

[\*\*] Term: **14 Years**

[21] Appl. No.: **29/050,395**

[22] Filed: **Feb. 16, 1996**

- 1,971,493 8/1934 Leathers .
- 2,180,930 11/1939 Mortensen .
- 2,236,989 4/1941 Bjorkman .
- 2,324,111 7/1943 Ross .
- 2,674,001 4/1954 Abrams et al. .
- 3,079,626 3/1963 Yonkers et al. .
- 3,821,831 7/1974 Grover .
- 4,836,753 6/1989 Berfield et al. .
- 4,956,892 9/1990 Fawkes .
- 5,118,254 6/1992 Ellingson et al. .
- 5,432,976 7/1995 Alazet .
- 5,440,782 8/1995 Yamashita .
- 5,722,112 3/1998 Scanni et al. .

*Primary Examiner*—Susan J. Lucas  
*Assistant Examiner*—Cynthia E. Ramirez  
*Attorney, Agent, or Firm*—Fay, Sharpe, Fagan, Minnich & McKee, LLP

**Related U.S. Application Data**

[63] Continuation-in-part of application No. 29/042,077, Jul. 31, 1995, Pat. No. Des. 370,322.

[51] **LOC (7) Cl.** ..... **04-01**

[52] **U.S. Cl.** ..... **D32/51; D32/50; D32/22; D4/135**

[58] **Field of Search** ..... D32/50, 51, 31, D32/25, 32, 35, 22; 15/154.1, 160, 246, 140; D4/135

[56] **References Cited**

**U.S. PATENT DOCUMENTS**

- D. 192,555 4/1962 Jepson et al. .... D32/22
- D. 232,298 8/1974 Jones ..... D32/31
- D. 370,322 5/1996 Canni Ferrari ..... D32/50
- D. 383,578 9/1997 Ho ..... D32/51
- D. 398,099 9/1998 Leung ..... D32/22
- 921,669 5/1909 Boegel et al. .

[57] **CLAIM**

The ornamental design for an electric broom, as shown and described.

**DESCRIPTION**

FIG. 1 is a front view of the electronic broom showing our new design;  
FIG. 2 is a back view;  
FIG. 3 is a left side view;  
FIG. 4 is a right side view;  
FIG. 5 is a top view;  
FIG. 6 is a bottom view;  
FIG. 7 is an enlarged left side view;  
FIG. 8 is an enlarged right side view; and,  
FIG. 9 is an enlarged bottom view.  
The handle is partially shown in FIGS. 7 and 8 for convenience of illustration.

**1 Claim, 5 Drawing Sheets**

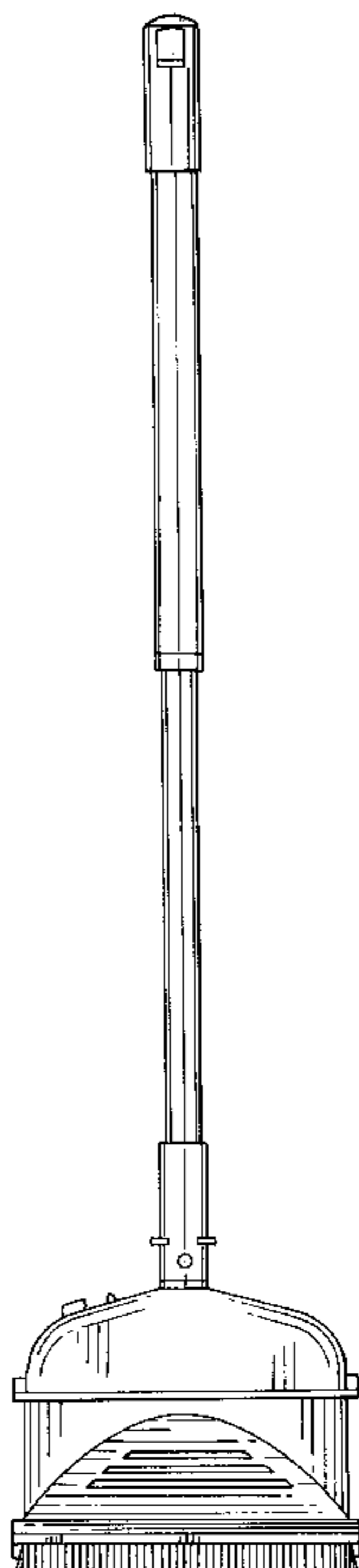


FIG. 1

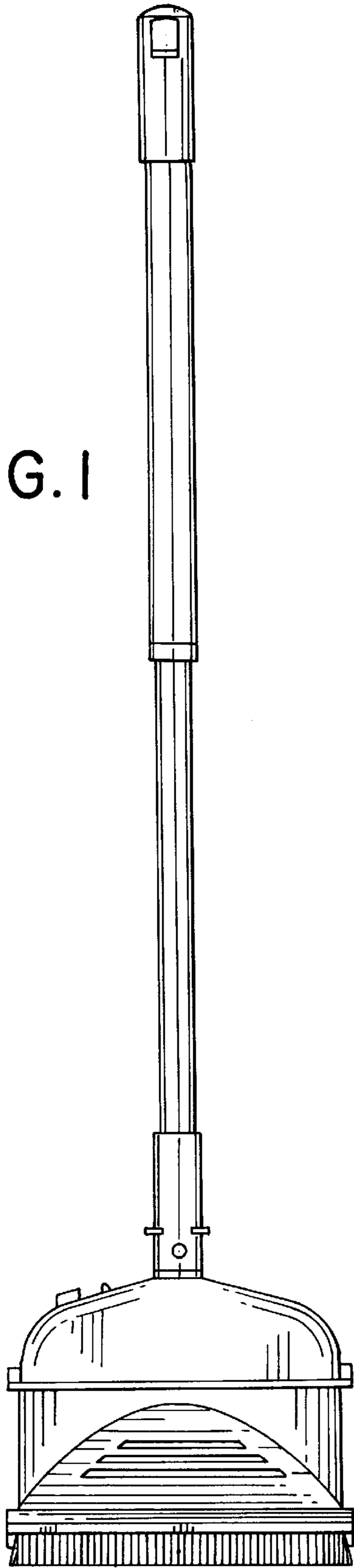


FIG. 2

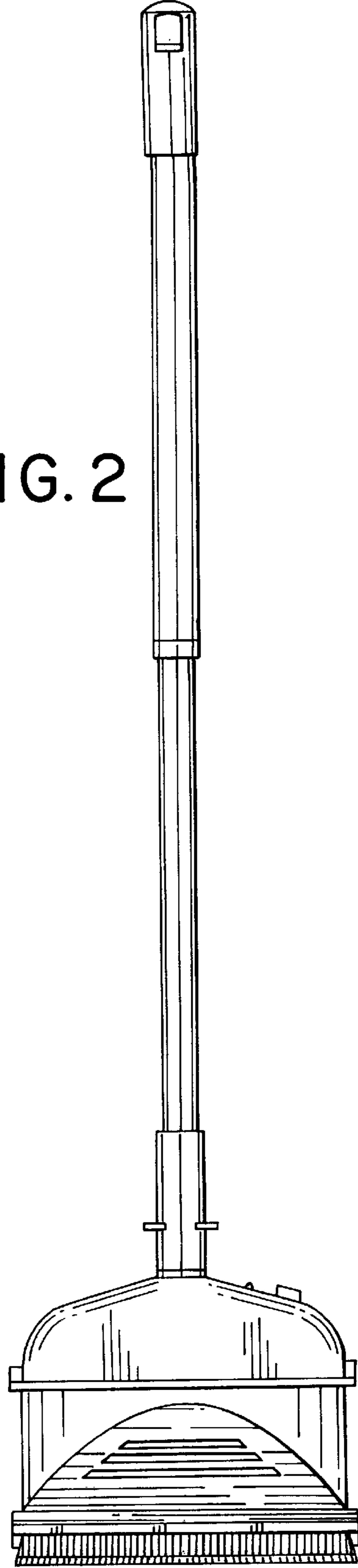


FIG. 3

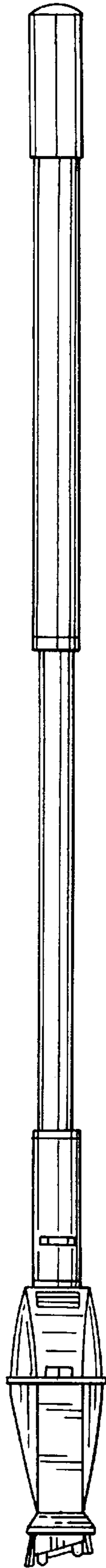
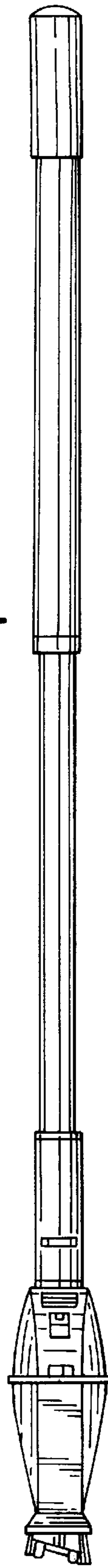


FIG. 4



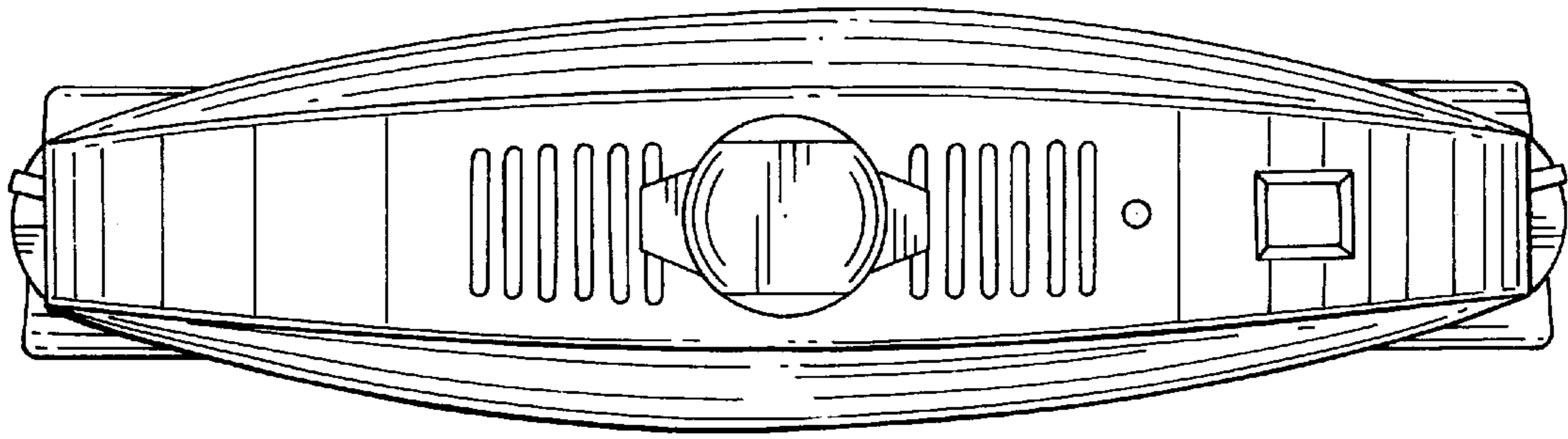


FIG. 5

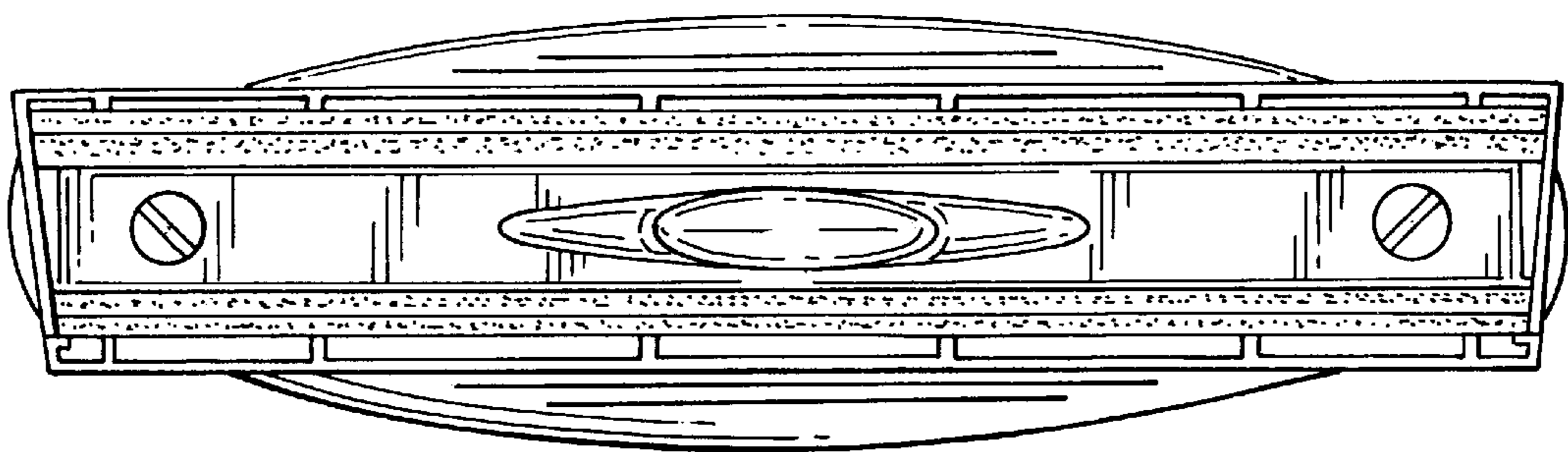


FIG. 6

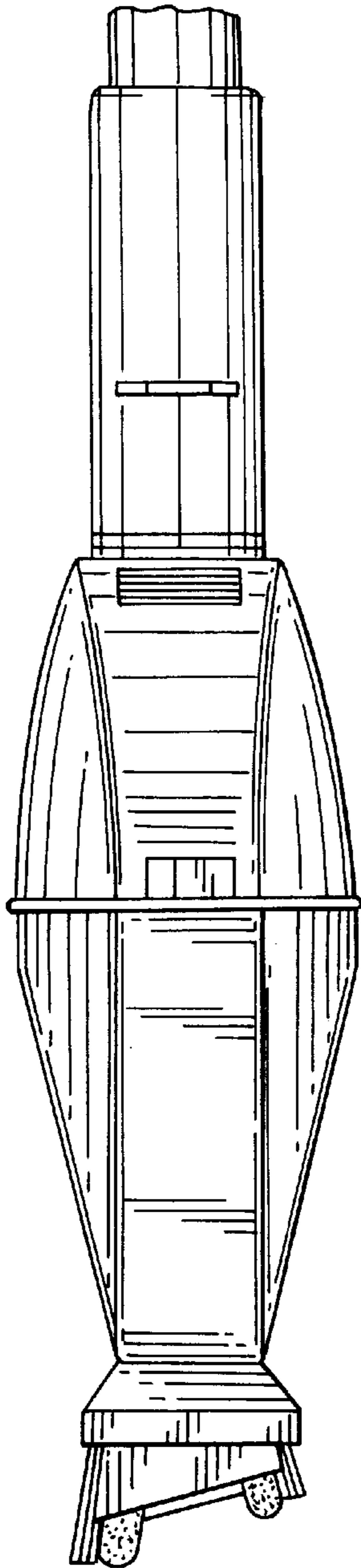


FIG. 7

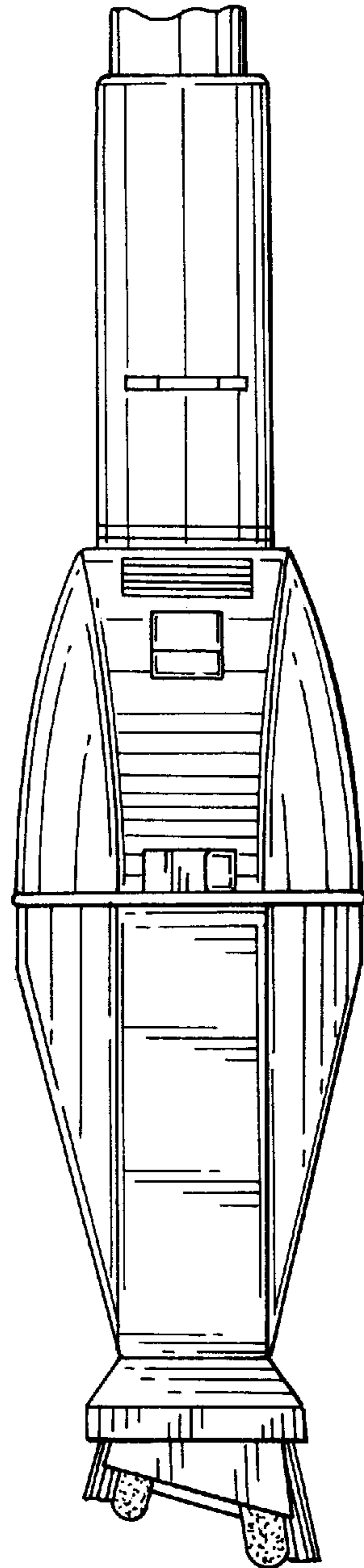


FIG. 8

FIG. 9

