



US00D424262S

United States Patent [19]
Landsman

[11] **Patent Number: Des. 424,262**

[45] **Date of Patent: ** May 2, 2000**

[54] **SOCK HAMPER**

[76] Inventor: **Scott Aaron Landsman**, 2504
Briarhurst Ct., Simi Valley, Calif. 93063

[**] Term: **14 Years**

[21] Appl. No.: **29/105,646**

[22] Filed: **May 28, 1999**

[51] **LOC (7) Cl.** **07-07**

[52] **U.S. Cl.** **D32/37; D34/1**

[58] **Field of Search** **D32/37; D34/1,**
D34/4, 6, 7, 11; 220/908, 909, 910, 911,
252, 253

[56] **References Cited**

U.S. PATENT DOCUMENTS

D. 324,593	3/1992	Kouwenhoven	D34/1
D. 383,277	9/1997	Peters	D34/1
D. 388,922	1/1998	Peters	D34/1
D. 389,631	1/1998	Peters	D34/1

Primary Examiner—Susan J. Lucas
Assistant Examiner—Cynthia E. Ramirez
Attorney, Agent, or Firm—Goldstein & Canino

[57] **CLAIM**

The ornamental design for a sock hamper, as shown and described.

DESCRIPTION

FIG. 1 is a diagrammatic perspective view of a sock hamper, in the closed position.

FIG. 2 is a diagrammatic perspective view of the sock hamper, in the open position, in full lines with a liner shown inside the hamper in broken lines representing environmental association matter being for illustrative purposes only and forming no part of the claimed design.

FIG. 3 is a front elevational view of the sock hamper.

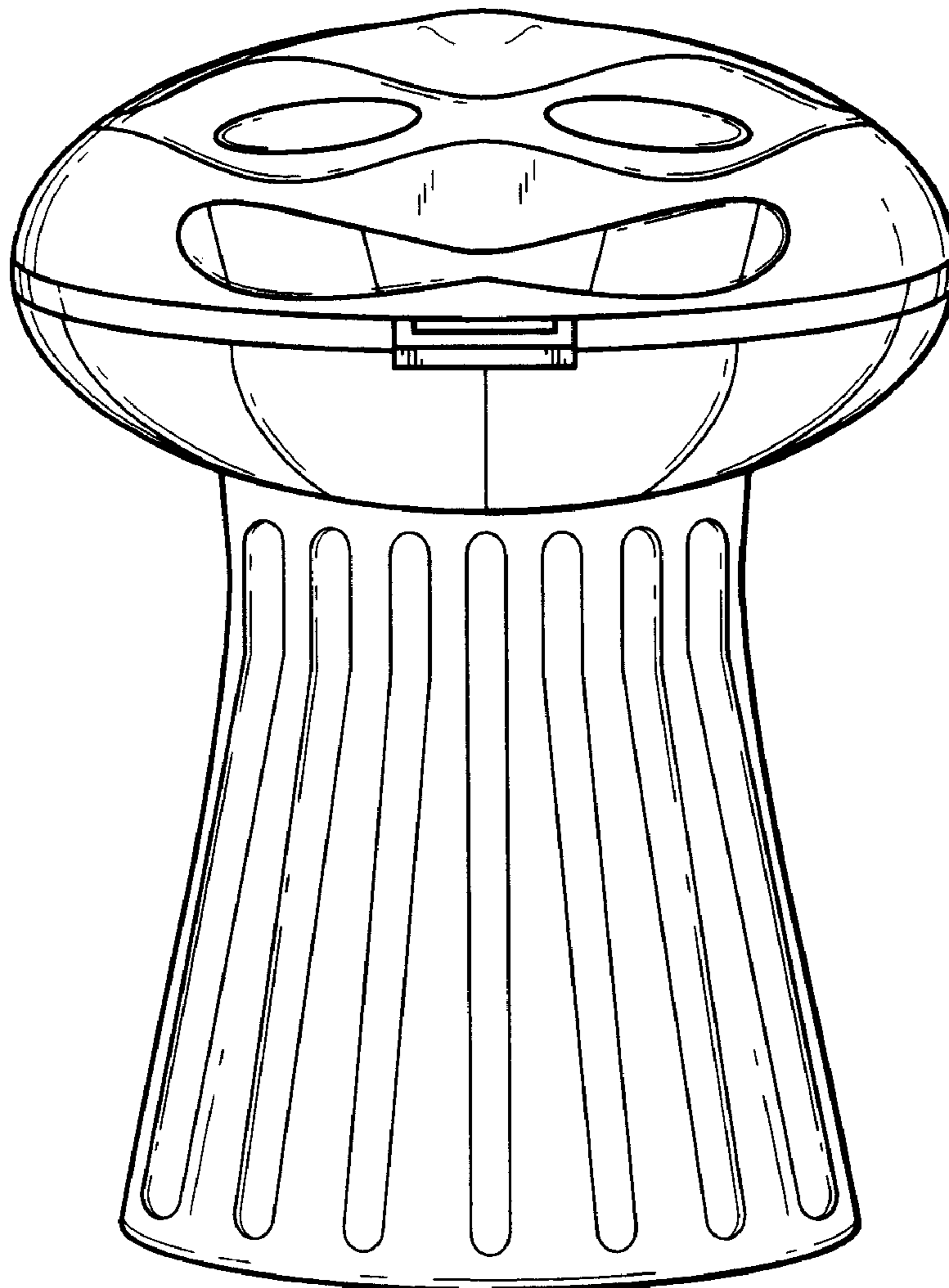
FIG. 4 is a rear elevational view thereof.

FIG. 5 is a left side elevational view thereof, the right side elevational view being a mirror image of the left side view.

FIG. 6 is a bottom plan view of the sock hamper; and,

FIG. 7 is a top plan view thereof.

1 Claim, 2 Drawing Sheets



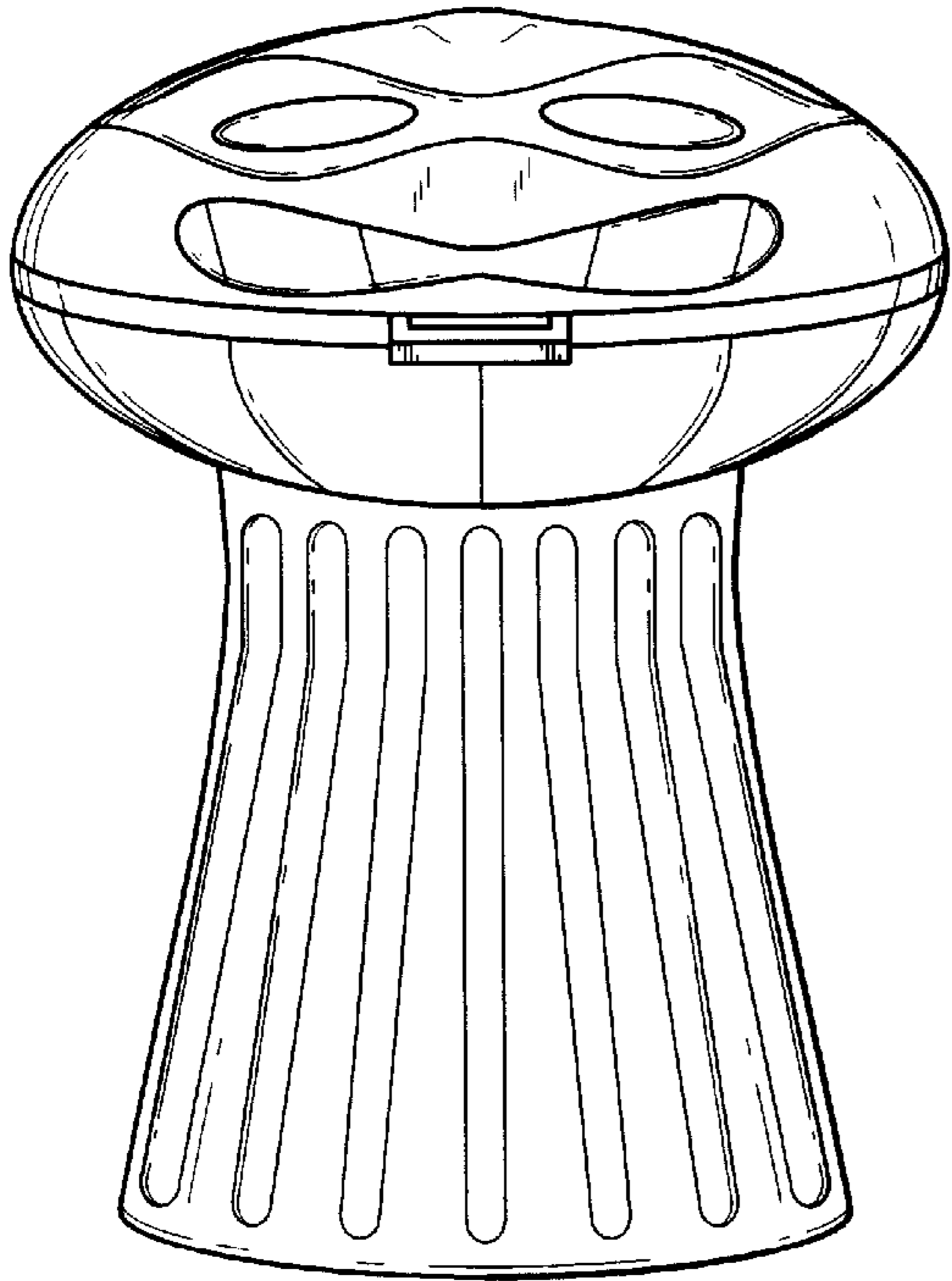


FIG. 1

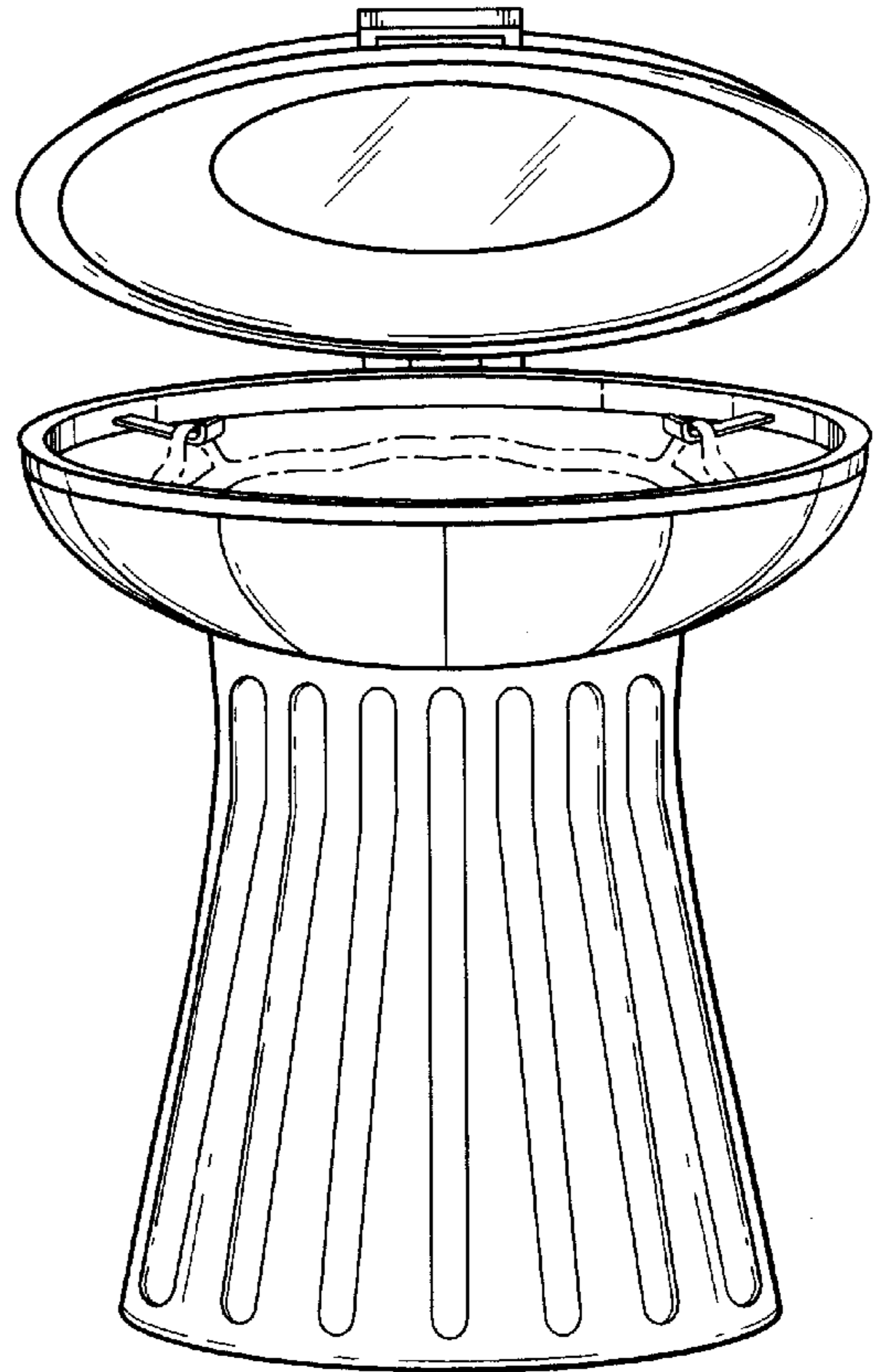


FIG. 2

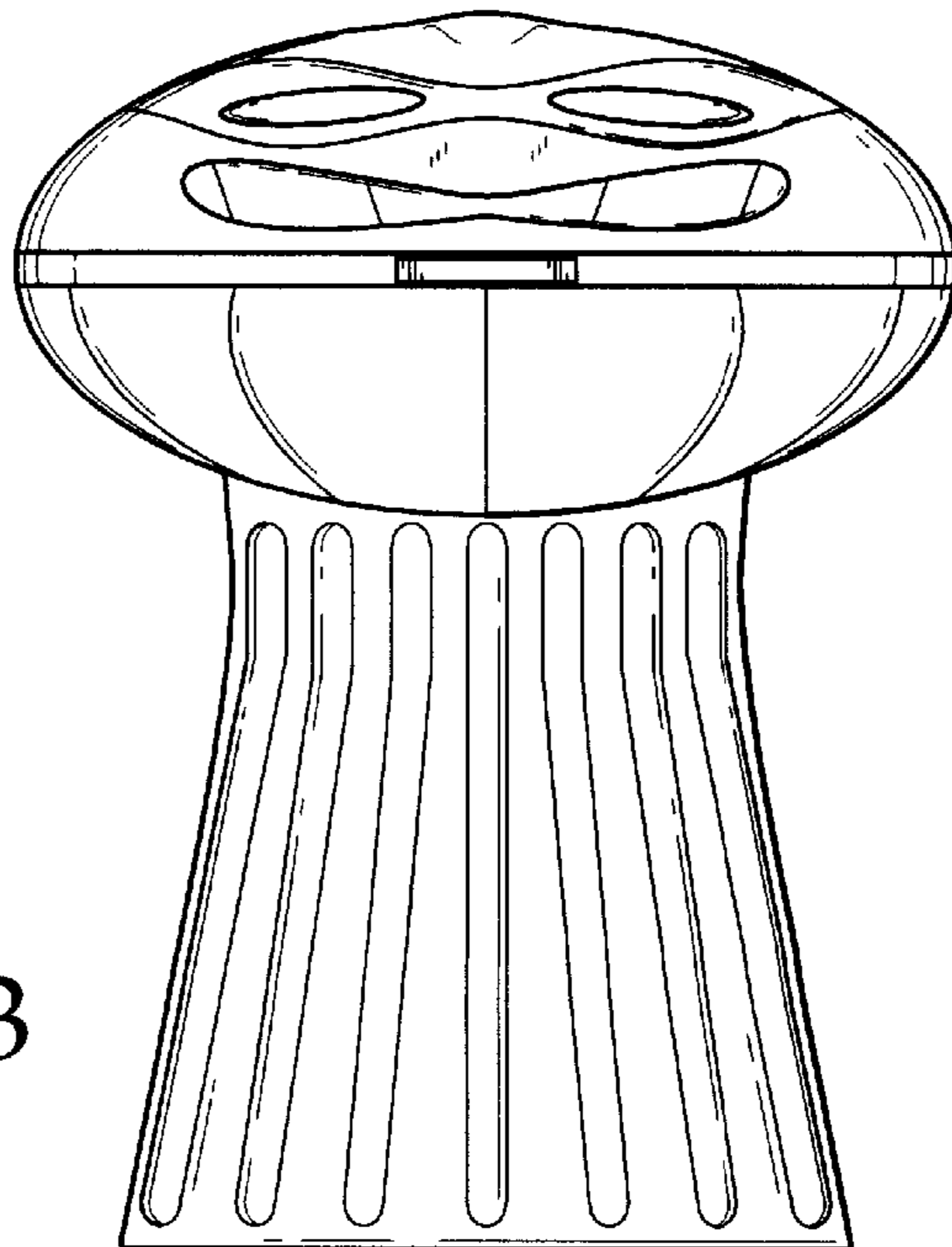


FIG. 3

FIG. 4

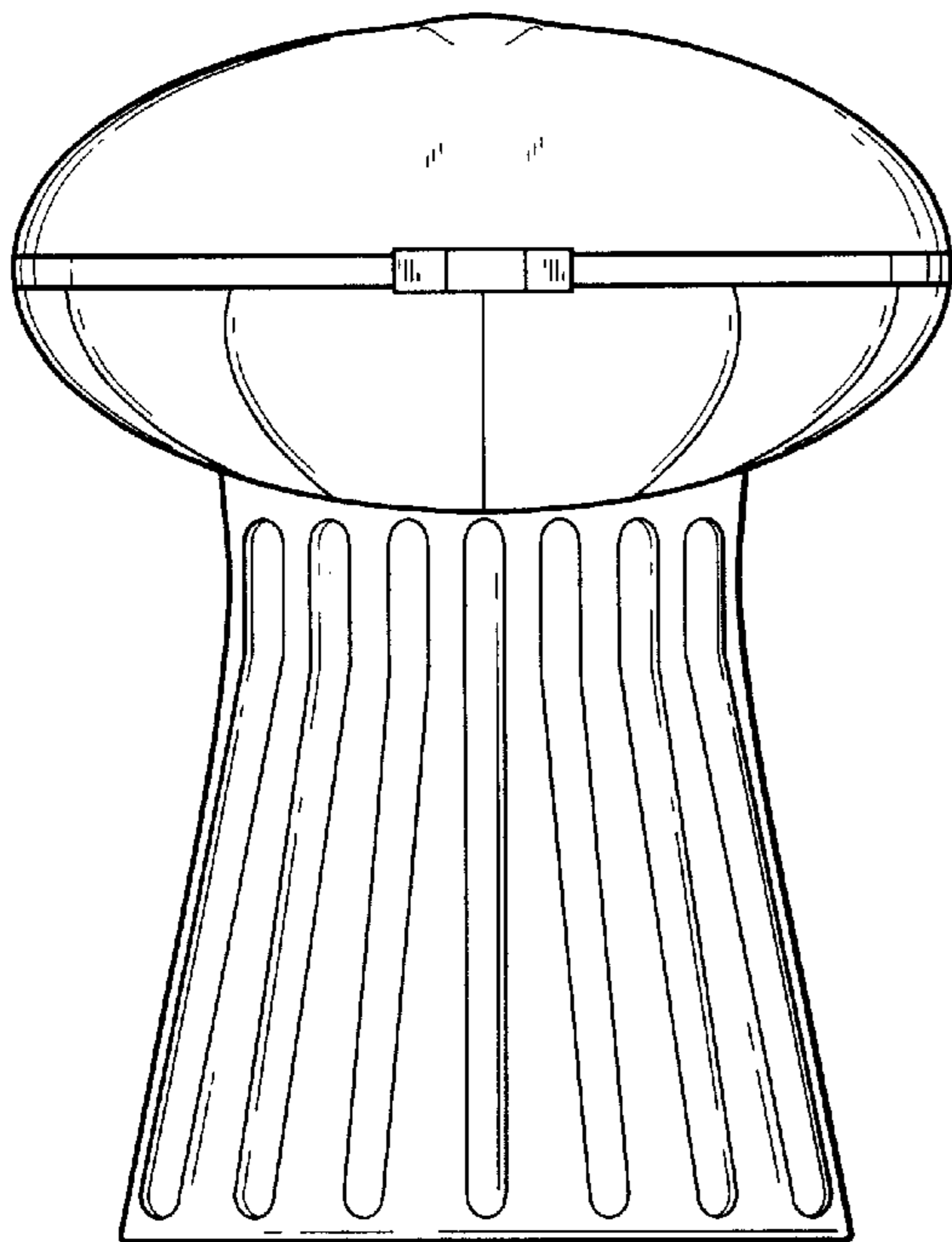


FIG. 5

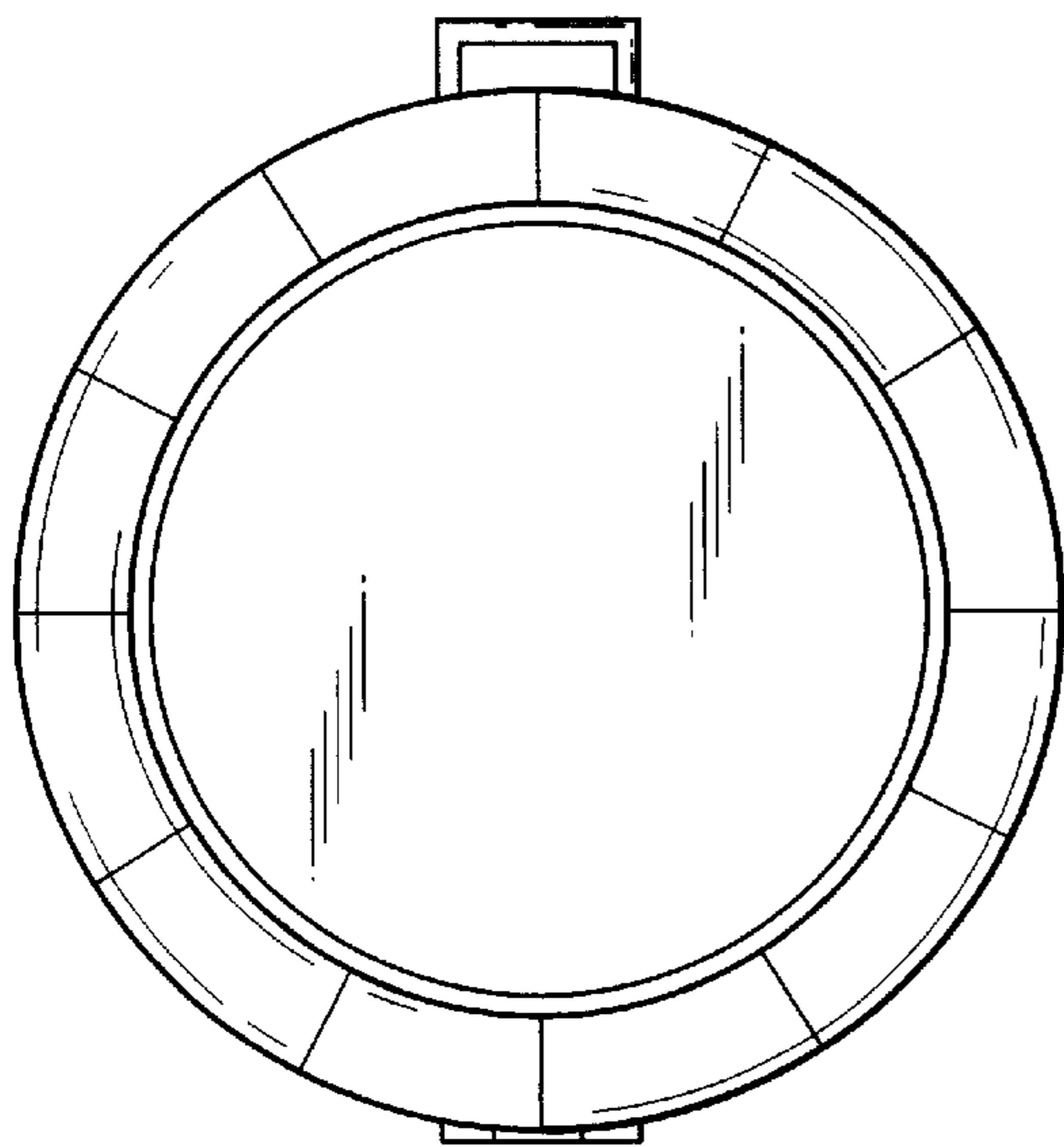
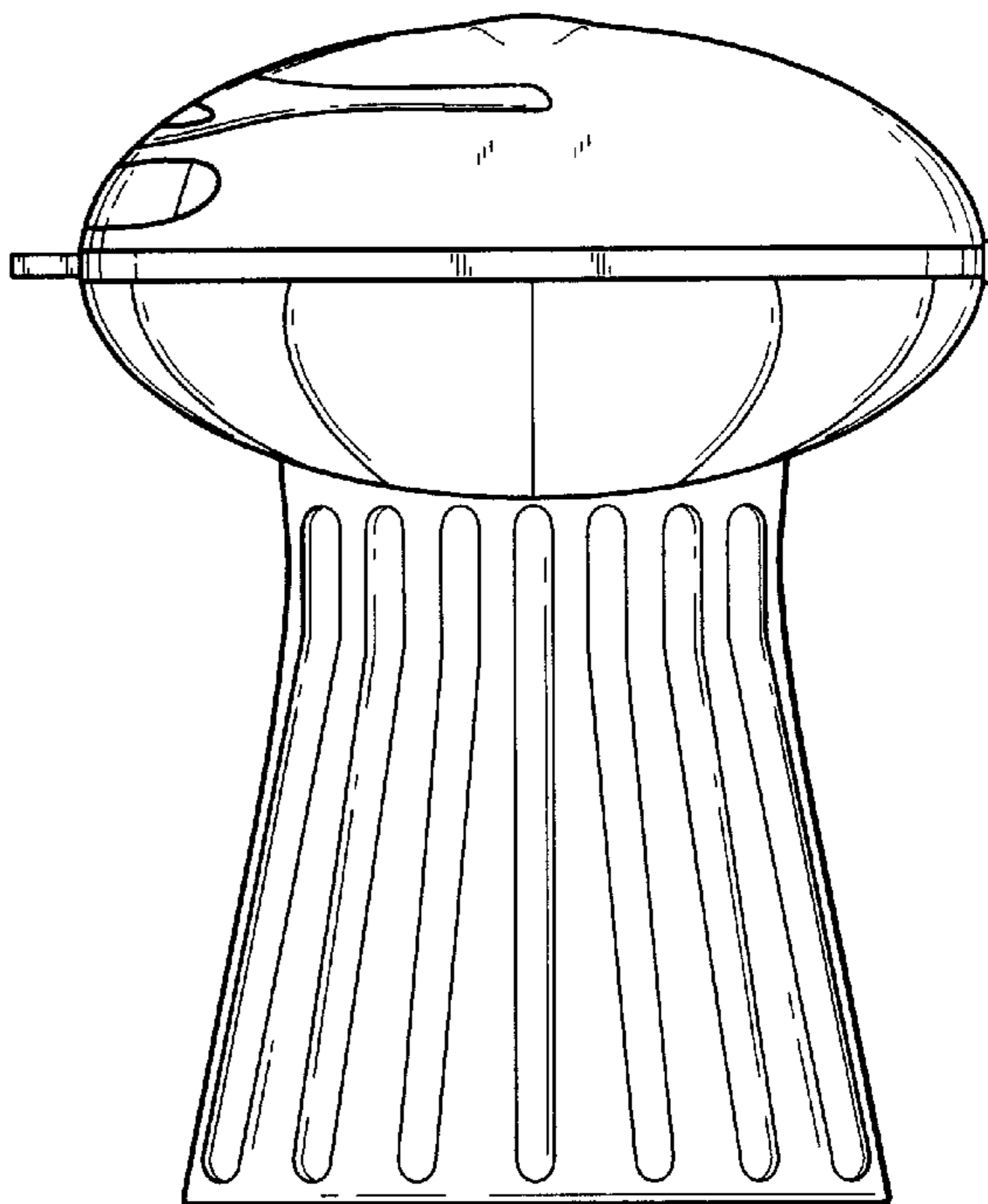


FIG. 6

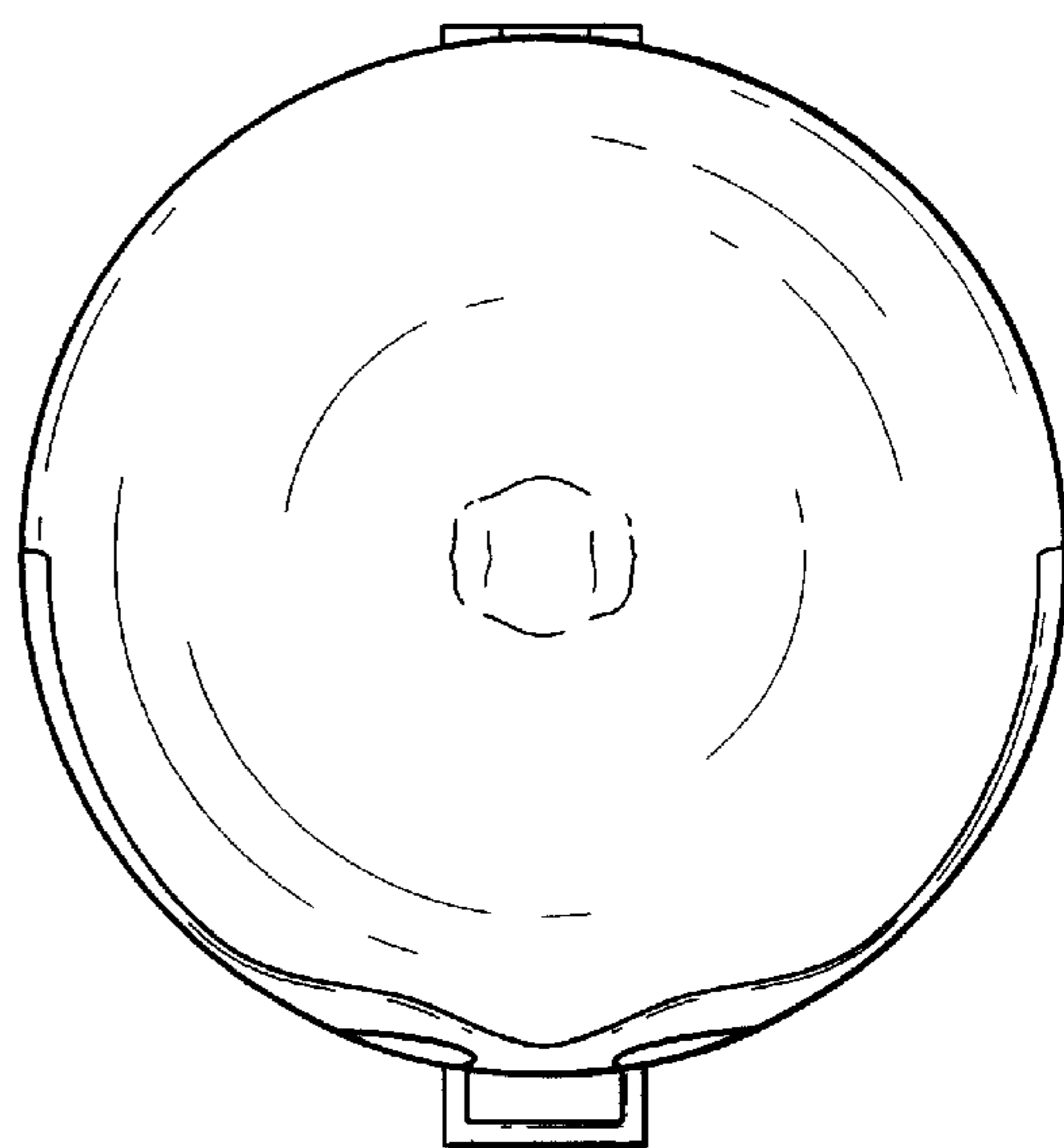


FIG. 7