



US00D424260S

**United States Patent** [19]  
**Wörwag**

[11] **Patent Number: Des. 424,260**

[45] **Date of Patent: \*\* May 2, 2000**

[54] **MANUAL TURBOBRUSH**

[75] Inventor: **Peter Wörwag**, Romanshorn,  
Switzerland

[73] Assignee: **Dupro AG**, Switzerland

[\*\*] Term: **14 Years**

[21] Appl. No.: **29/102,042**

[22] Filed: **Mar. 16, 1999**

[30] **Foreign Application Priority Data**

Sep. 16, 1998 [DE] Germany ..... 498 09 109

[51] **LOC (7) Cl.** ..... **15-05**

[52] **U.S. Cl.** ..... **D32/32**

[58] **Field of Search** ..... D32/21-25, 31-34;  
15/1.7, 379, 415.1, 404, 416, 419-421,  
327, 335

[56] **References Cited**

**U.S. PATENT DOCUMENTS**

D. 262,708 1/1982 Essex ..... D32/21

- D. 280,768 9/1985 Ferrais et al. .... D32/23
- D. 290,419 6/1987 Strohmeier ..... D32/32
- D. 312,904 12/1990 Worwag ..... D32/32
- D. 334,262 3/1993 Lawrence et al. .... D32/32
- D. 401,023 11/1998 Sebor et al. .... D32/33

*Primary Examiner*—Mitchell Siegel  
*Attorney, Agent, or Firm*—Robert W. Becker & Associates

[57] **CLAIM**

The ornamental design for a manual turbobrush, as shown and described.

**DESCRIPTION**

FIG. 1 is a perspective view of a manual turbobrush showing my new design;  
FIG. 2 is a front view thereof;  
FIG. 3 is a top view thereof;  
FIG. 4 is a rearview thereof;  
FIG. 5 is a right side view thereof;  
FIG. 6 is a left side view thereof;  
FIG. 7 is a bottom view thereof; and,  
FIG. 8 is a perspective view thereof, with a component shown in an alternate position.

**1 Claim, 5 Drawing Sheets**

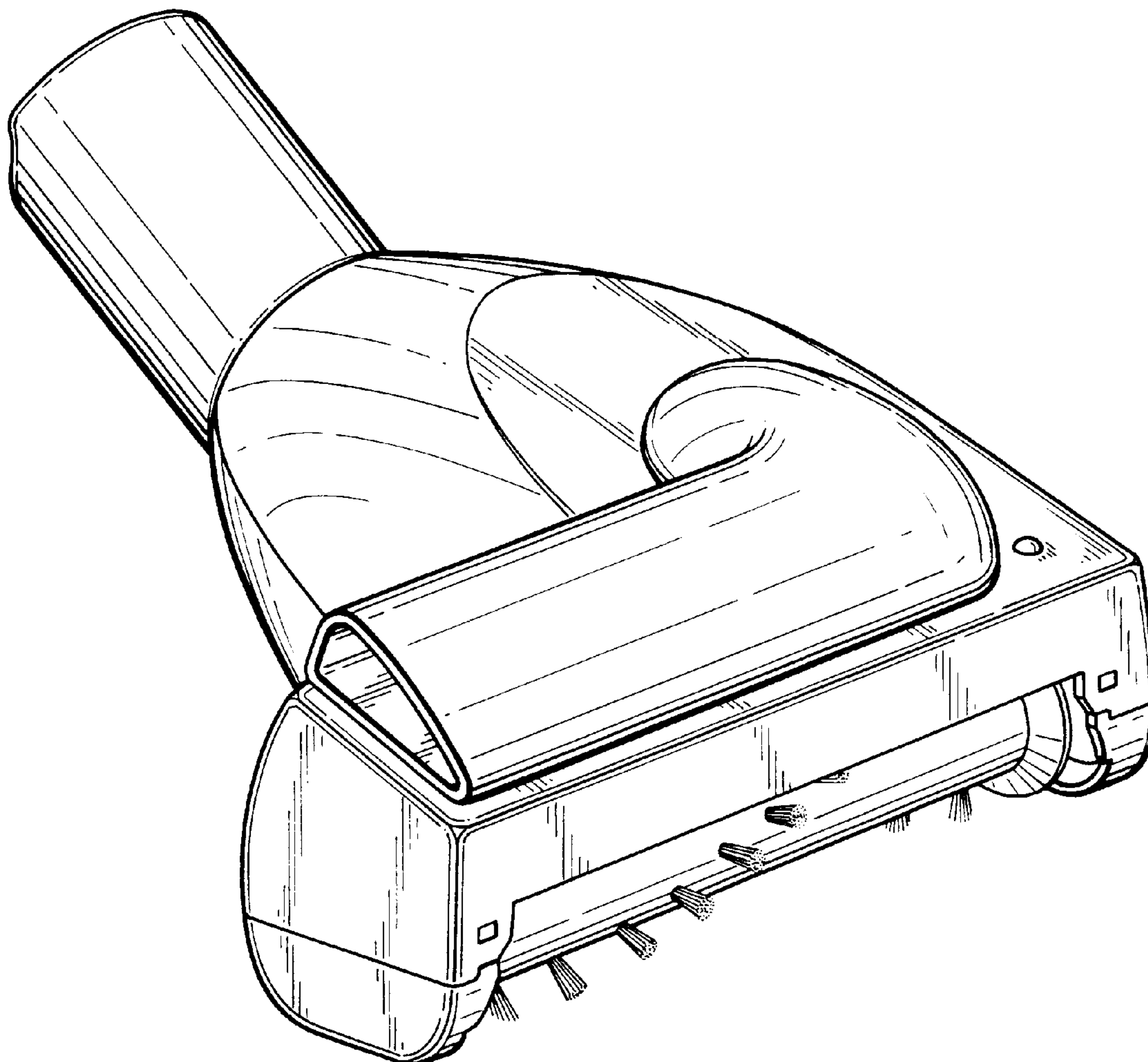


Fig. 1

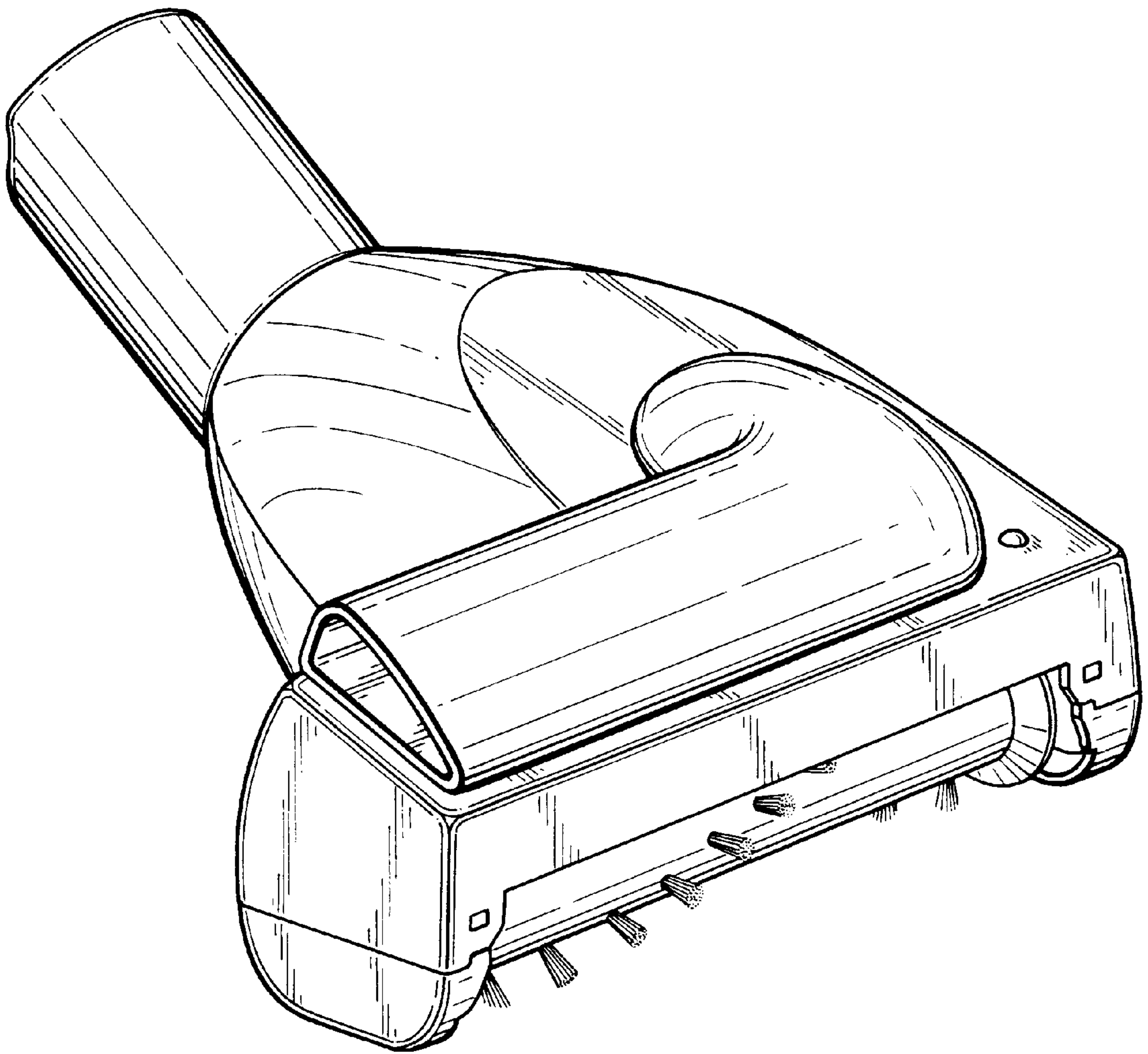


Fig. 2

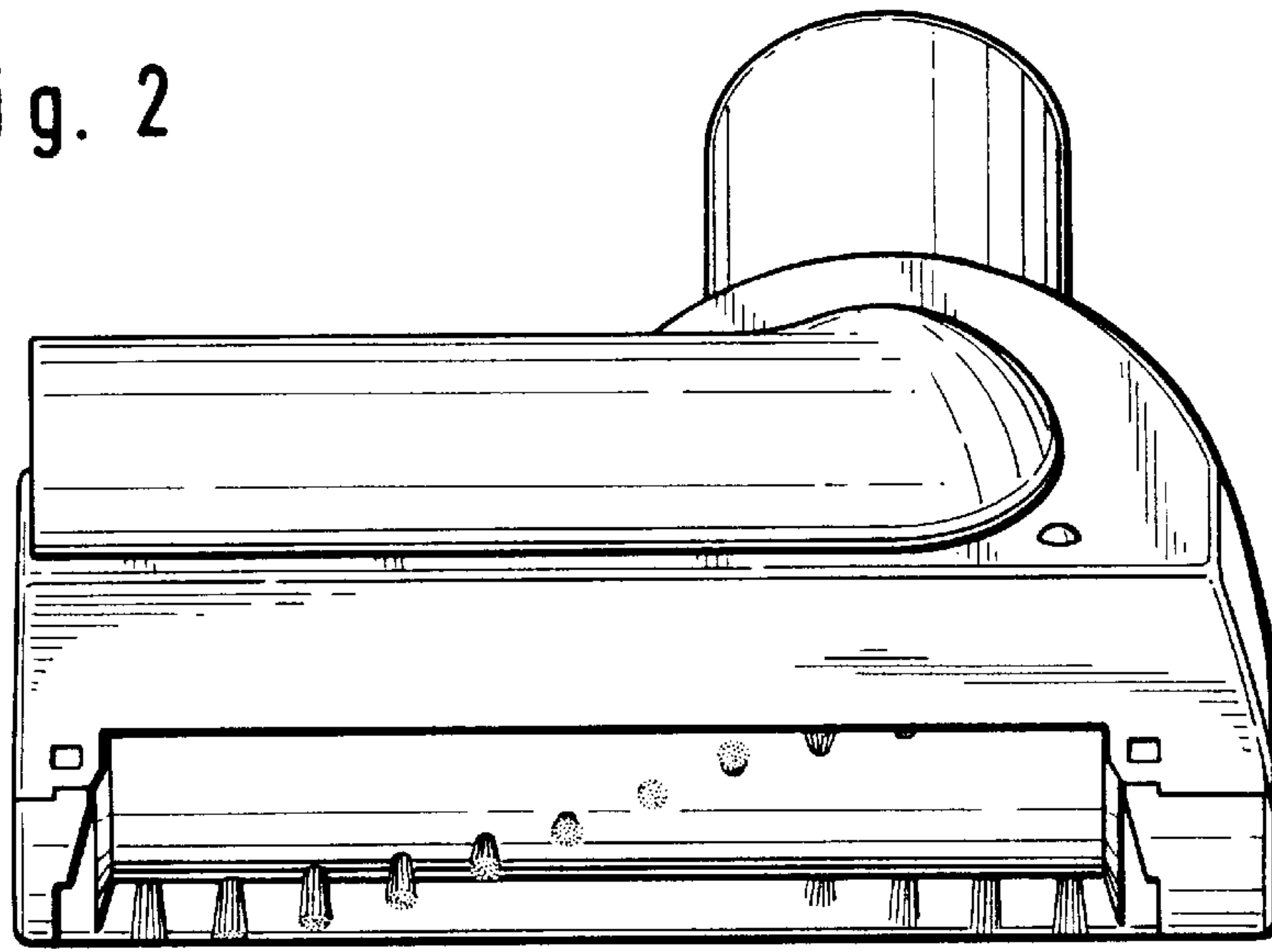


Fig. 3

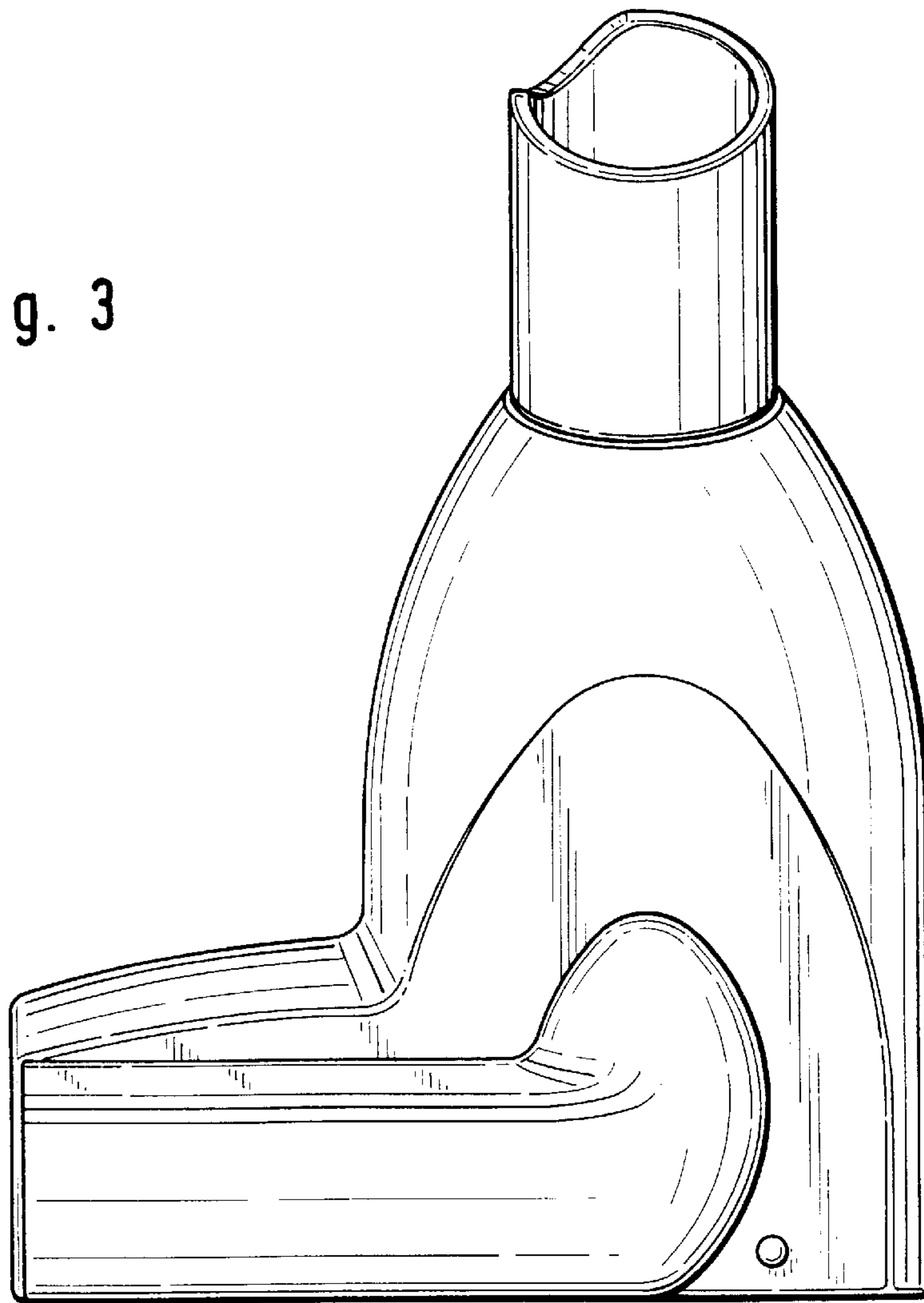


Fig. 7

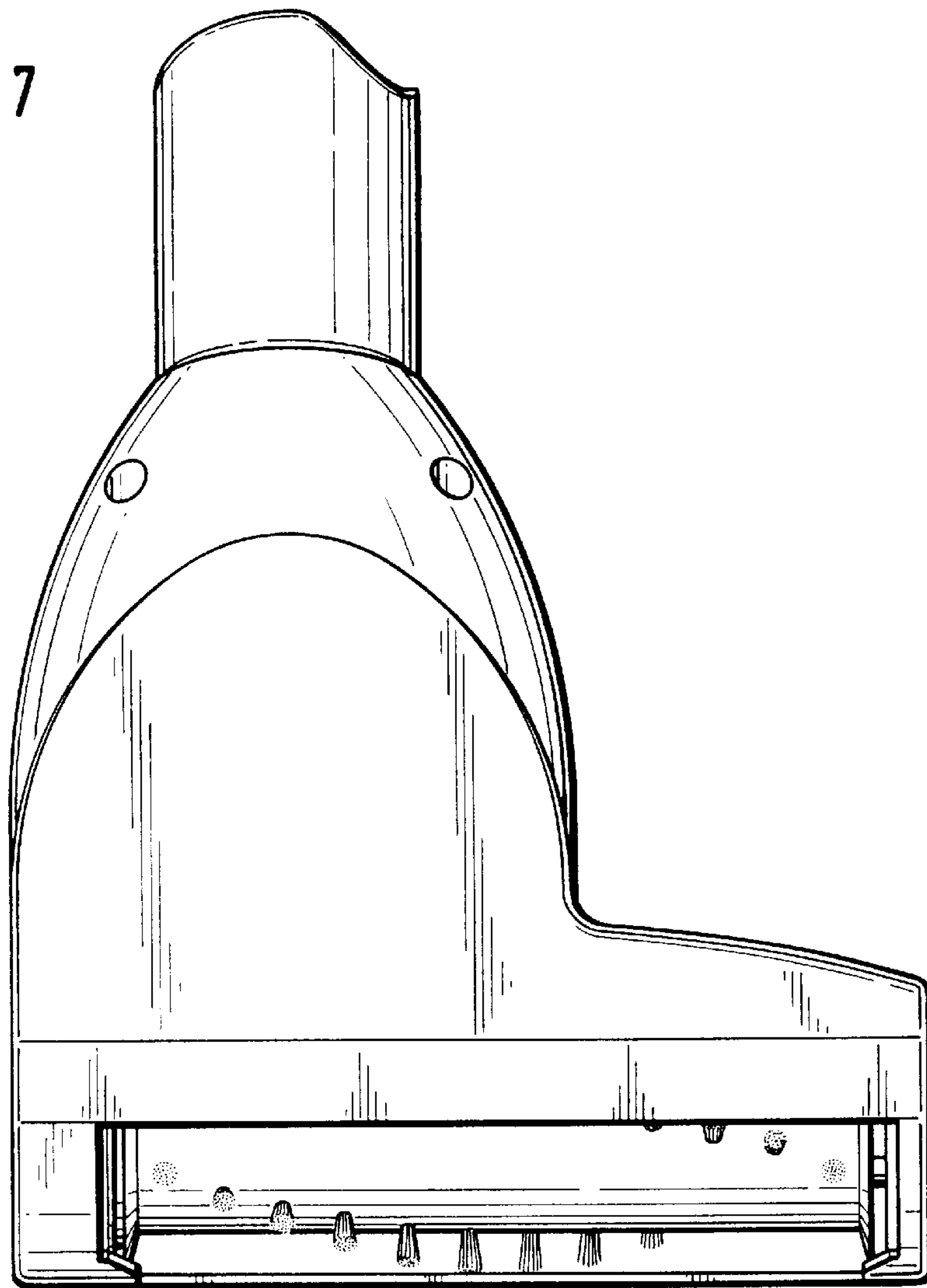


Fig. 4

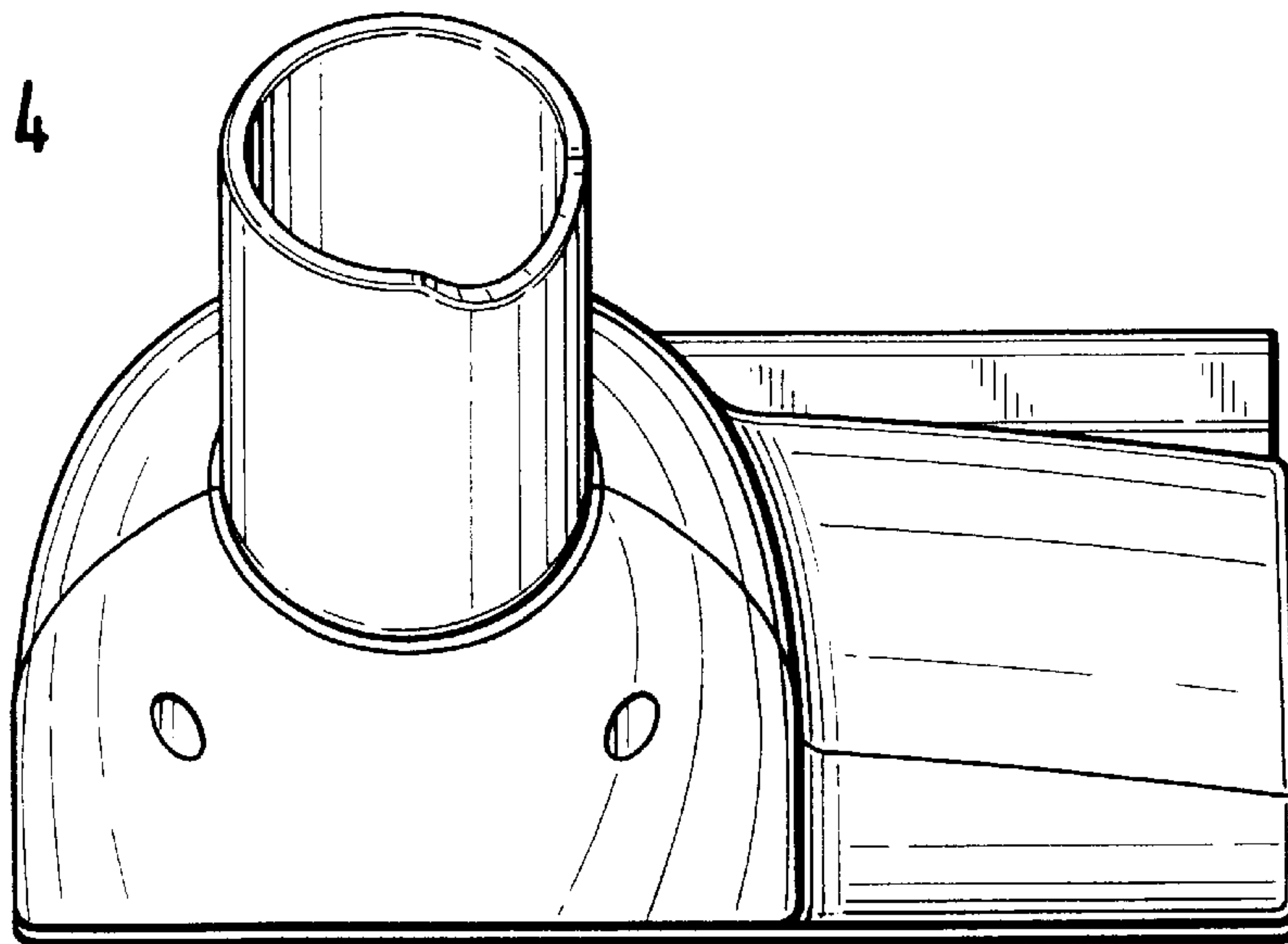




Fig. 5

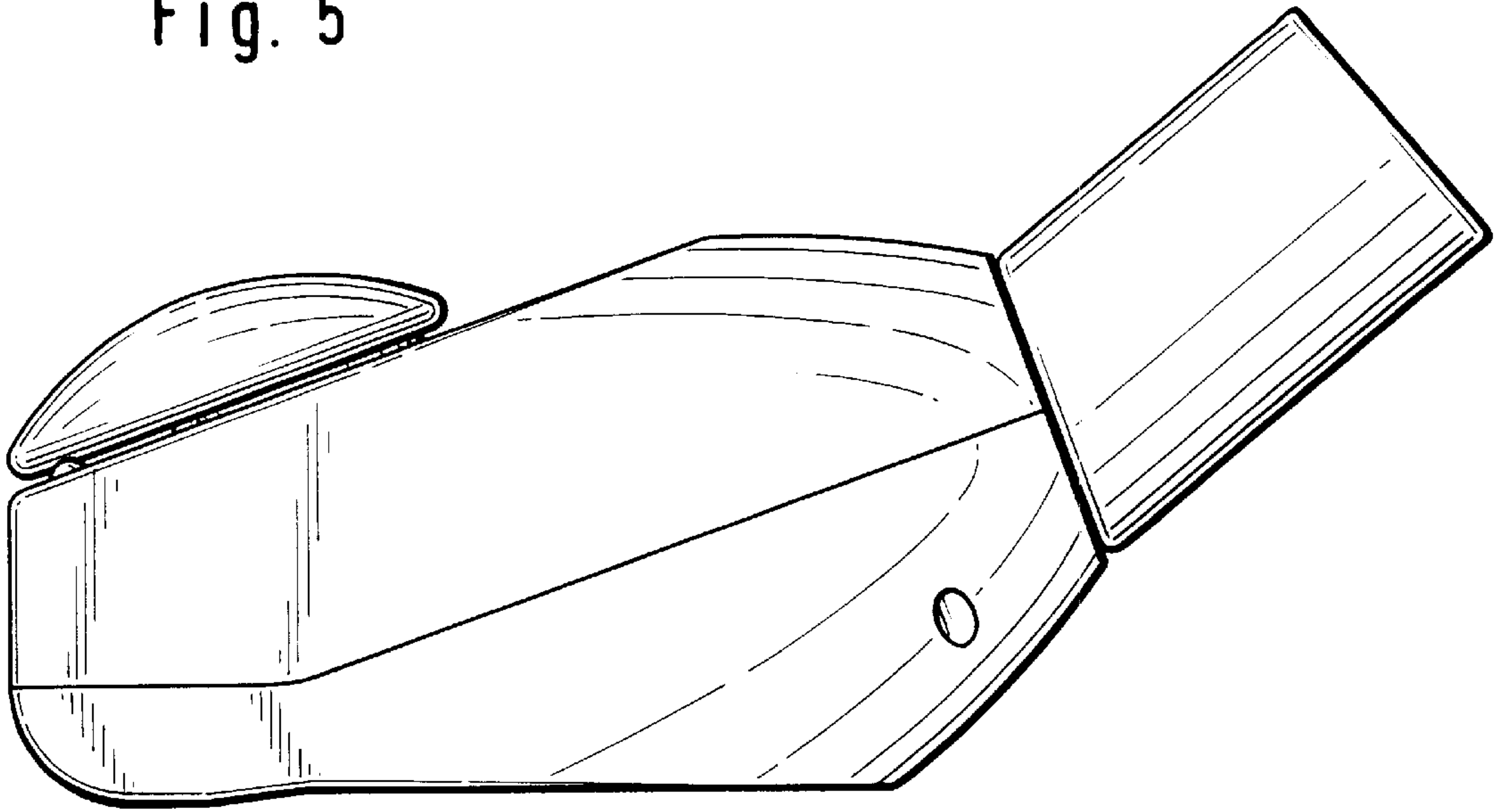


Fig. 6

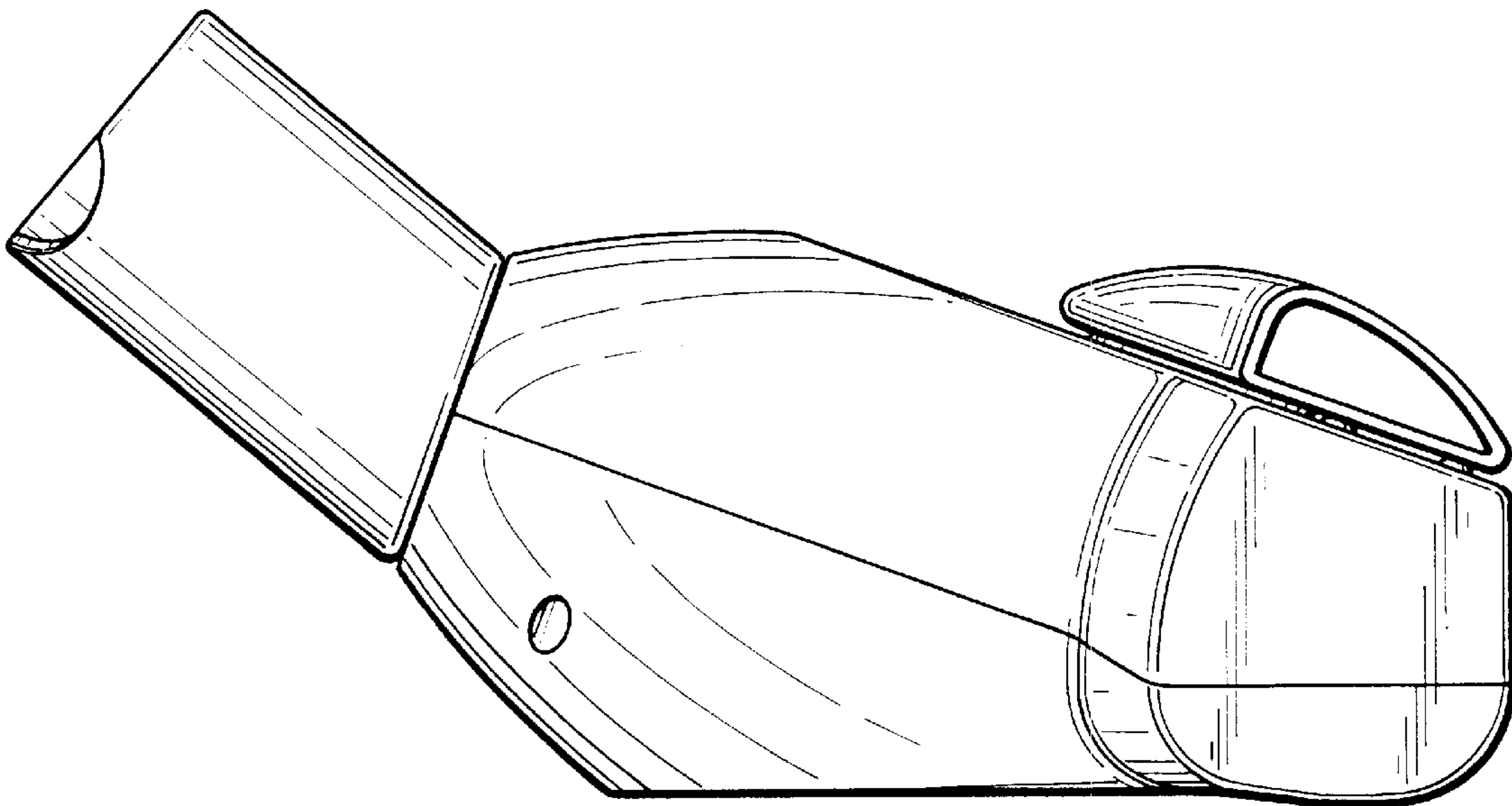


Fig. 8

