



US00D424259S

# United States Patent [19]

Rohn et al.

[11] Patent Number: **Des. 424,259**

[45] Date of Patent: **\*\* May 2, 2000**

[54] **VACUUM CLEANER NOZZLE**

[75] Inventors: **Dean Robert Rohn**, Cadillac, Mich.;  
**John David Gundlach**, Action, Mass.

[73] Assignee: **Rexair, Inc.**, Troy, Mich.

[\*\*] Term: **14 Years**

[21] Appl. No.: **29/087,300**

[22] Filed: **Apr. 30, 1998**

[51] **LOC (7) Cl.** ..... **15-05**

[52] **U.S. Cl.** ..... **D32/31**

[58] **Field of Search** ..... D32/17-18, 21,  
D32/31-33; 15/373, 396, 398, 415.1-416,  
322, 344, 329

[56] **References Cited**

**U.S. PATENT DOCUMENTS**

Re. 21,256	11/1939	Brock	15/156
D. 312,518	11/1990	Schick	D32/33
D. 326,006	5/1992	Moine	D32/32
D. 342,812	12/1993	Reath	D32/32
D. 347,305	5/1994	Roh et al.	D32/32
D. 358,242	5/1995	McKnight	D32/32
D. 376,879	12/1996	Selewski et al.	D32/32
2,035,688	3/1936	Brock	15/156
2,325,739	8/1943	Brock	15/157

2,706,826	4/1955	Brock	15/368
3,225,379	12/1965	Cummins	15/367
4,053,962	10/1977	McDowell	15/415 R
4,485,518	12/1984	Kasper	15/322
5,022,115	6/1991	Kasper	15/353
5,123,141	6/1992	Erickson et al.	15/373
5,125,129	6/1992	Kasper et al.	15/353
5,280,666	1/1994	Wood et al.	15/401
5,339,487	8/1994	Kasper	15/246.2
5,537,710	7/1996	Selewski	15/377

**OTHER PUBLICATIONS**

U.S. application No. 29/087,302, Rohn et al..

*Primary Examiner*—Ruth McInroy

*Attorney, Agent, or Firm*—Howard & Howard

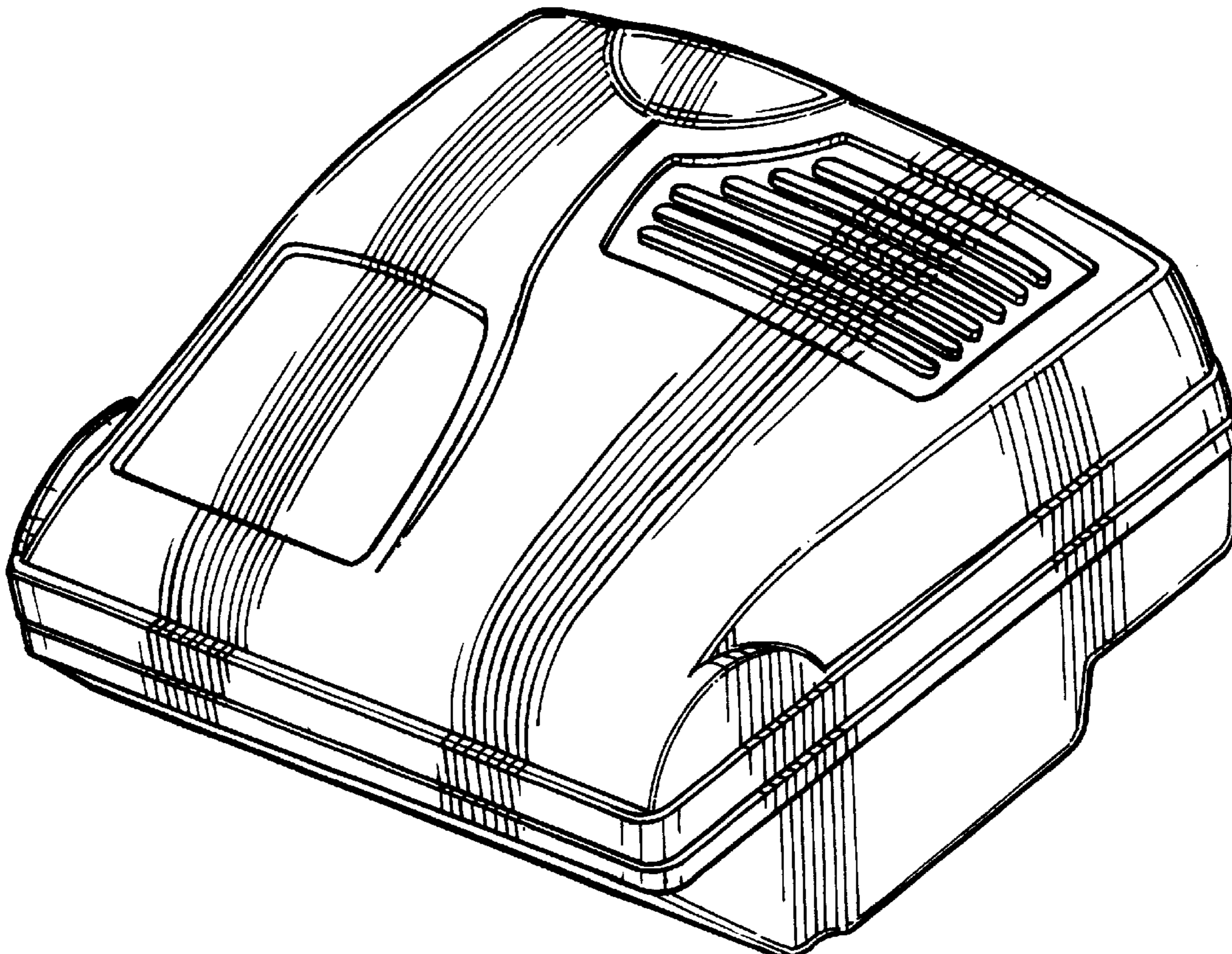
[57] **CLAIM**

The ornamental design of a vacuum cleaner nozzle, substantially as shown and described.

**DESCRIPTION**

FIG. 1 is a perspective view of a vacuum cleaner nozzle showing our new design;  
FIG. 2 is a front elevational view thereof;  
FIG. 3 is a top elevational view thereof;  
FIG. 4 is a side elevational view thereof; and,  
FIG. 5 is a rear elevational view thereof.

**1 Claim, 3 Drawing Sheets**



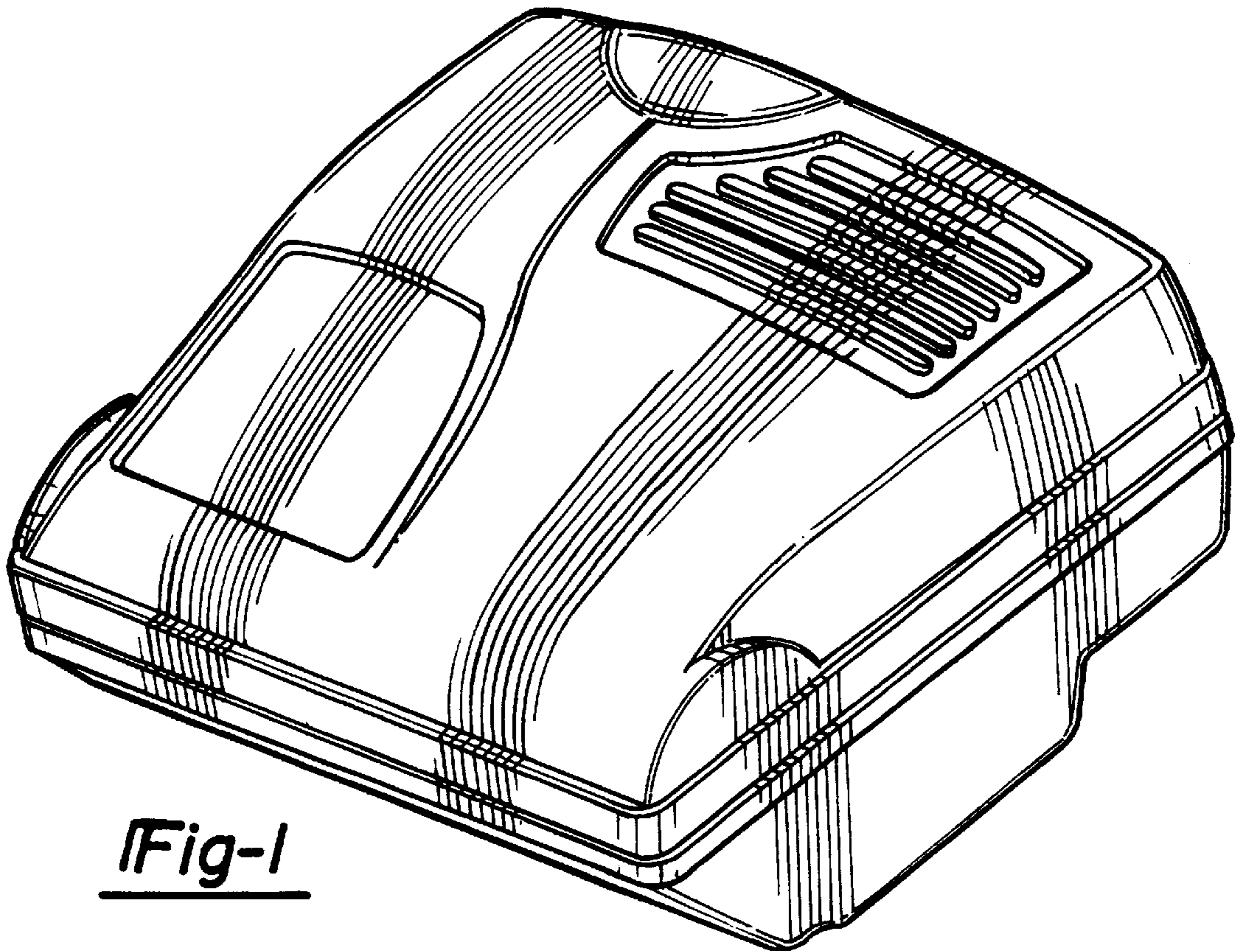


Fig-1

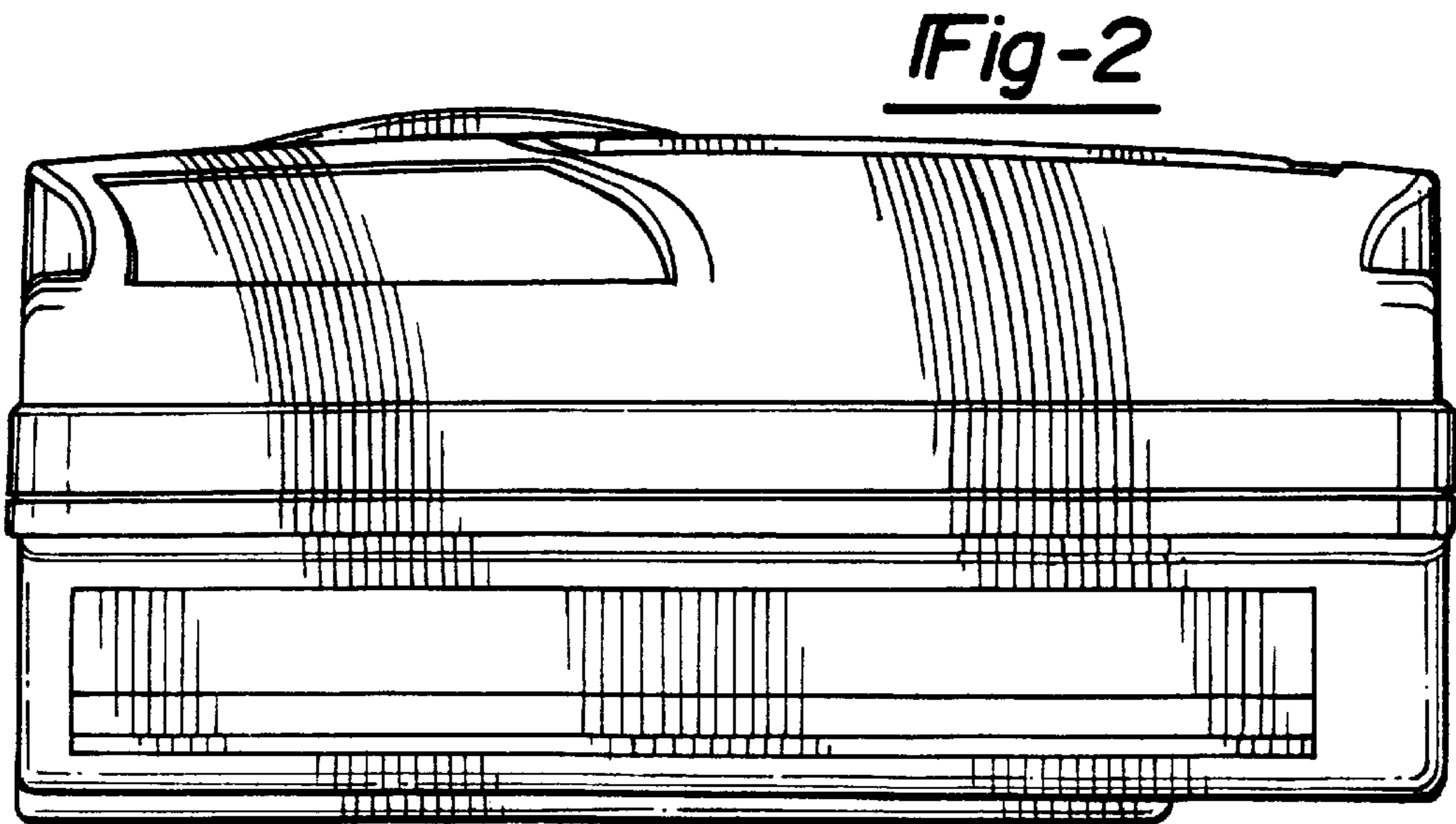


Fig-2

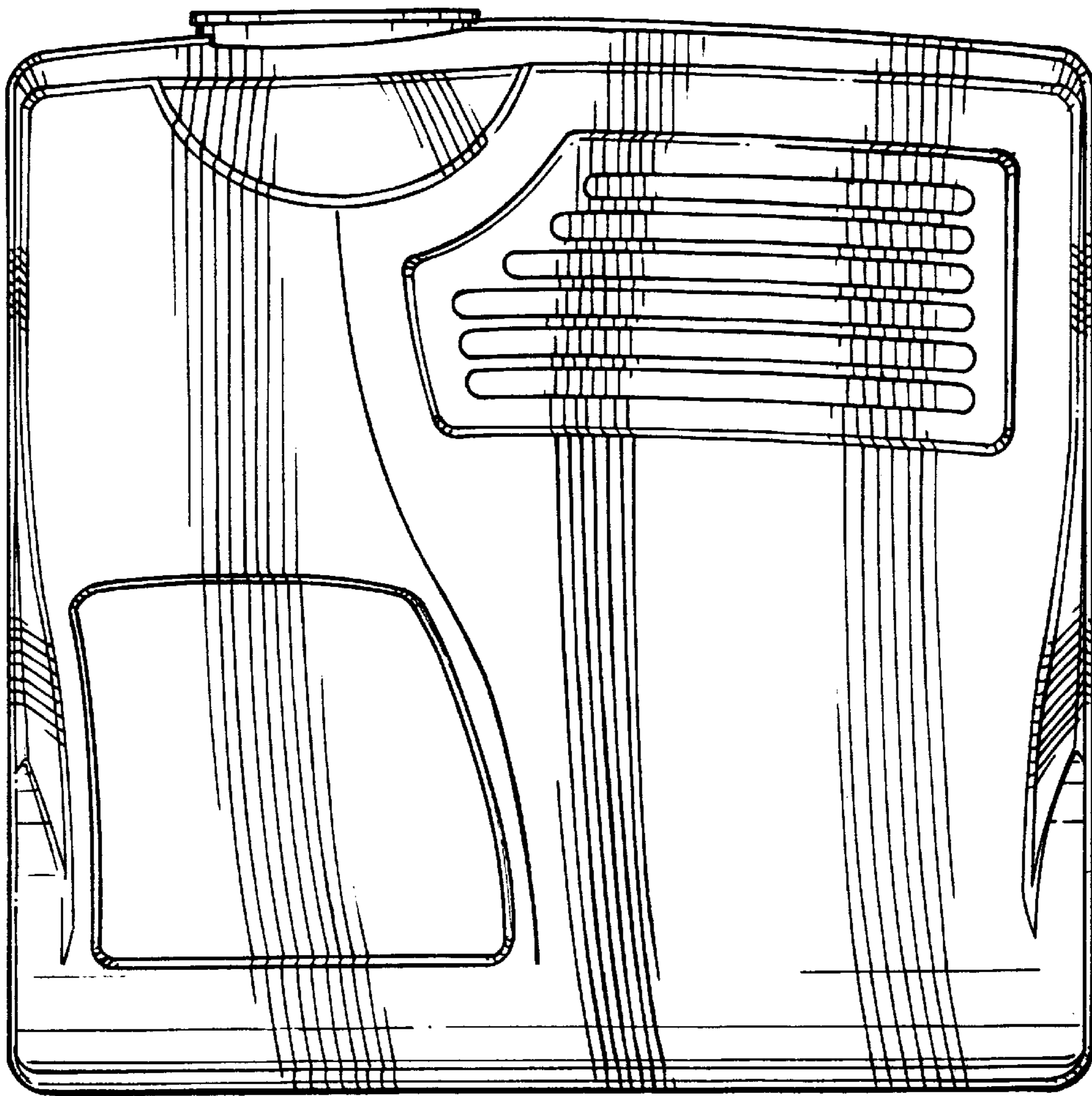


Fig-3

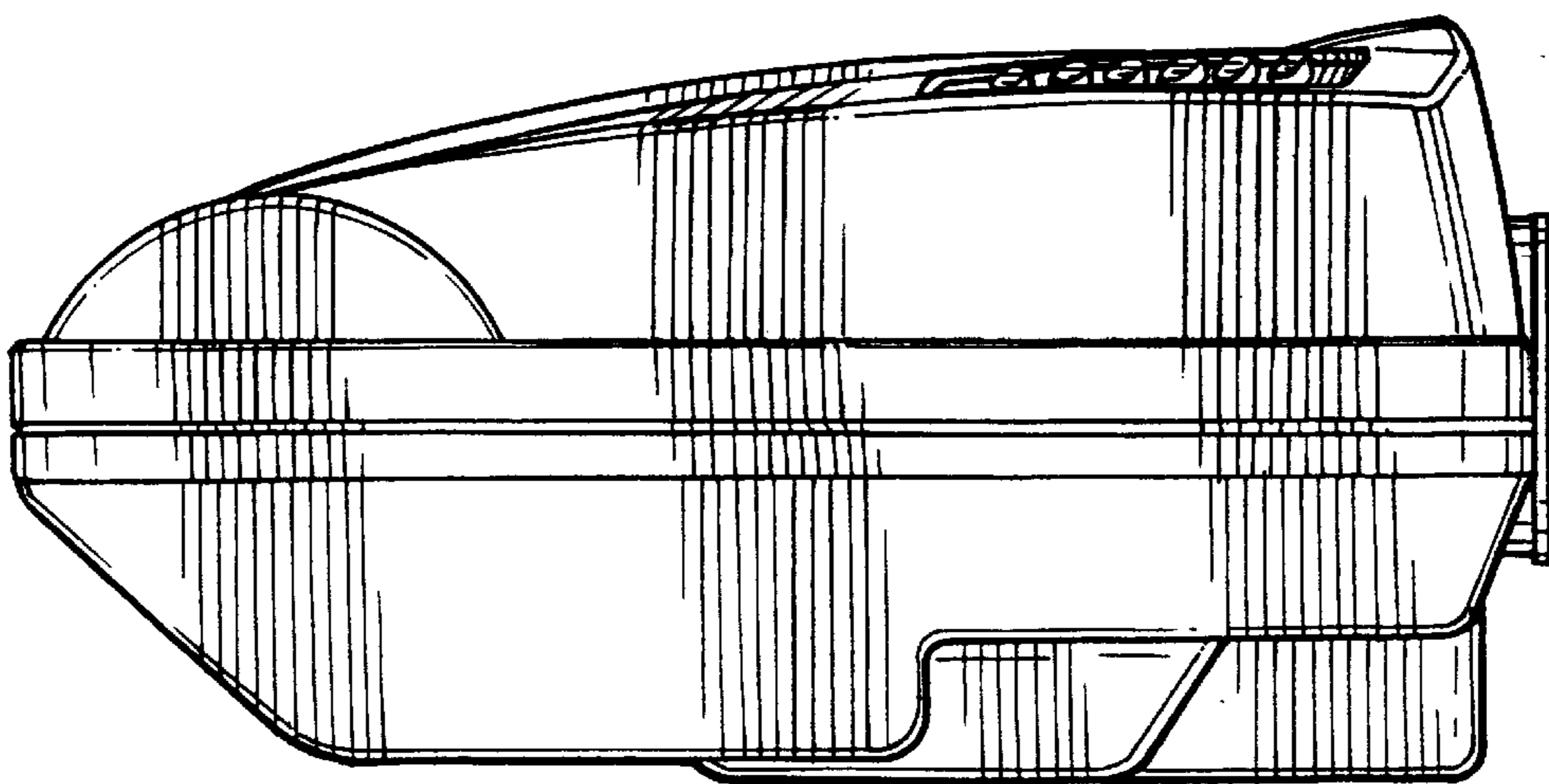


Fig-4

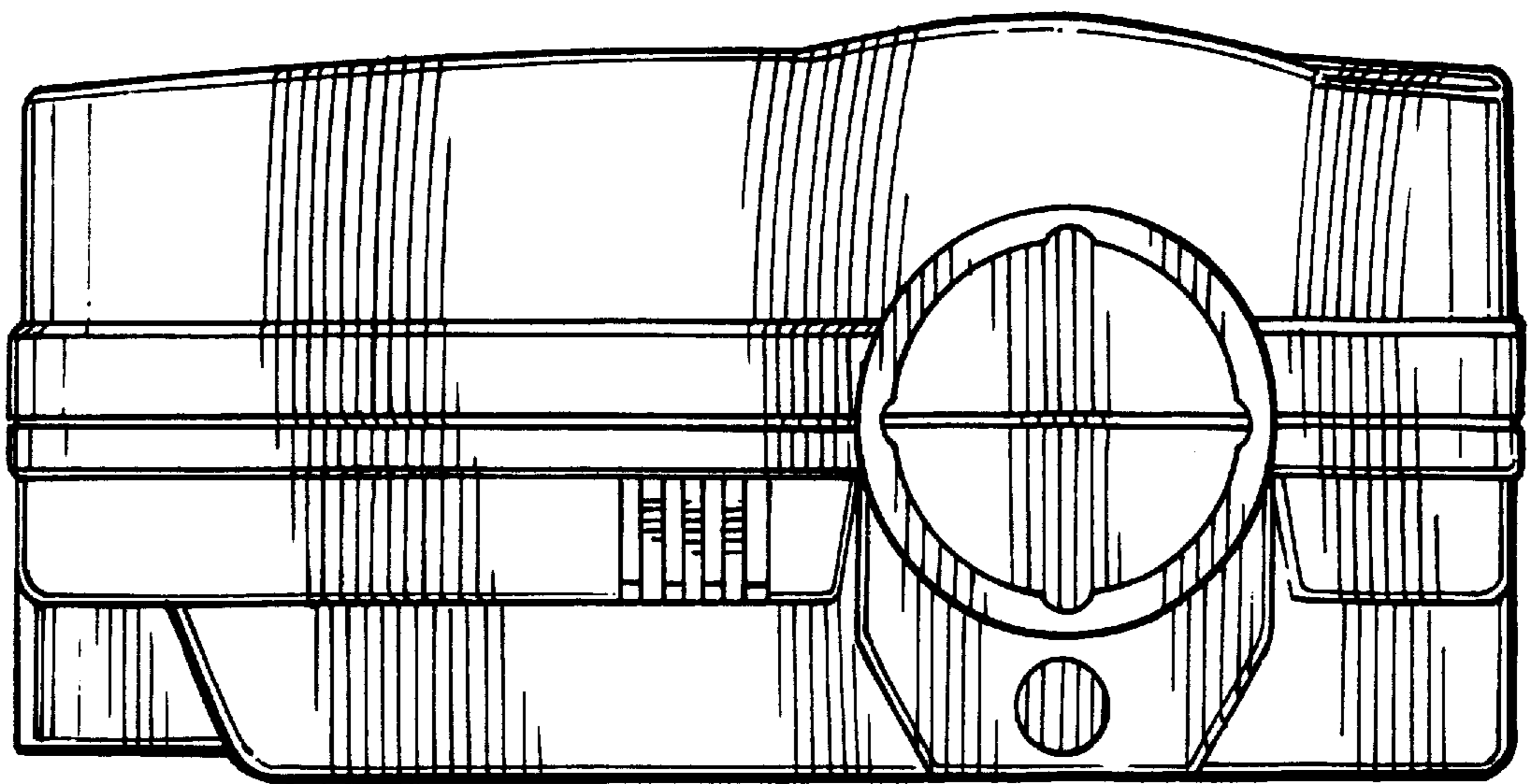


Fig-5