



US00D424257S

United States Patent [19]

Umeda et al.

[11] Patent Number: **Des. 424,257**

[45] Date of Patent: **** May 2, 2000**

[54] COMBINED DISH WASHING MACHINE AND DRYING MACHINE

[75] Inventors: **Masakazu Umeda**, Hyogo; **Kazuya Takahashi**, Osaka, both of Japan

[73] Assignee: **Matsushita Electric Industrial Co., Ltd.**, Japan

[**] Term: **14 Years**

[21] Appl. No.: **29/107,422**

[22] Filed: **Jul. 6, 1999**

[30] Foreign Application Priority Data

Jan. 14, 1999 [JP] Japan 11-729

[51] LOC (7) Cl. **15-05**

[52] U.S. Cl. **D32/2**

[58] Field of Search D32/1, 2, 5; 134/135, 134/200, 137, 201, 164; 312/272, 269, 312, 294; 211/126

[56] References Cited

U.S. PATENT DOCUMENTS

- D. 182,968 6/1958 Linger et al. D32/2
- D. 191,224 8/1961 Fay D32/2
- D. 205,959 10/1966 Smith D32/2
- D. 208,942 10/1967 Sandin D32/2
- D. 403,471 12/1998 Brace D32/2
- 5,115,822 5/1992 Nichols 134/135

FOREIGN PATENT DOCUMENTS

- 914019 12/1994 Japan .
- 1032629 2/1999 Japan .

OTHER PUBLICATIONS

General Electric Model No. GSD2910TAA catalogue issued Sep., 1993.
Fisher & Paykel Model No. DD601 catalogue issued Dec. 1997.

Primary Examiner—Mitchell Siegel
Attorney, Agent, or Firm—Saidman DesignLaw Group

[57] CLAIM

The ornamental design for a combined dish washing machine and drying machine, as shown and described.

DESCRIPTION

FIG. 1 is a perspective view of the top, front and right side of a combined dish washing machine and drying machine showing our new design;
FIG. 2 is a front view thereof;
FIG. 3 is a top plan view thereof;
FIG. 4 is a bottom view thereof;
FIG. 5 is a rear view thereof;
FIG. 6 is a right side view thereof;
FIG. 7 is a left side view thereof; and,
FIG. 8 is a perspective view thereof with the lid in being drawn out position.

1 Claim, 4 Drawing Sheets

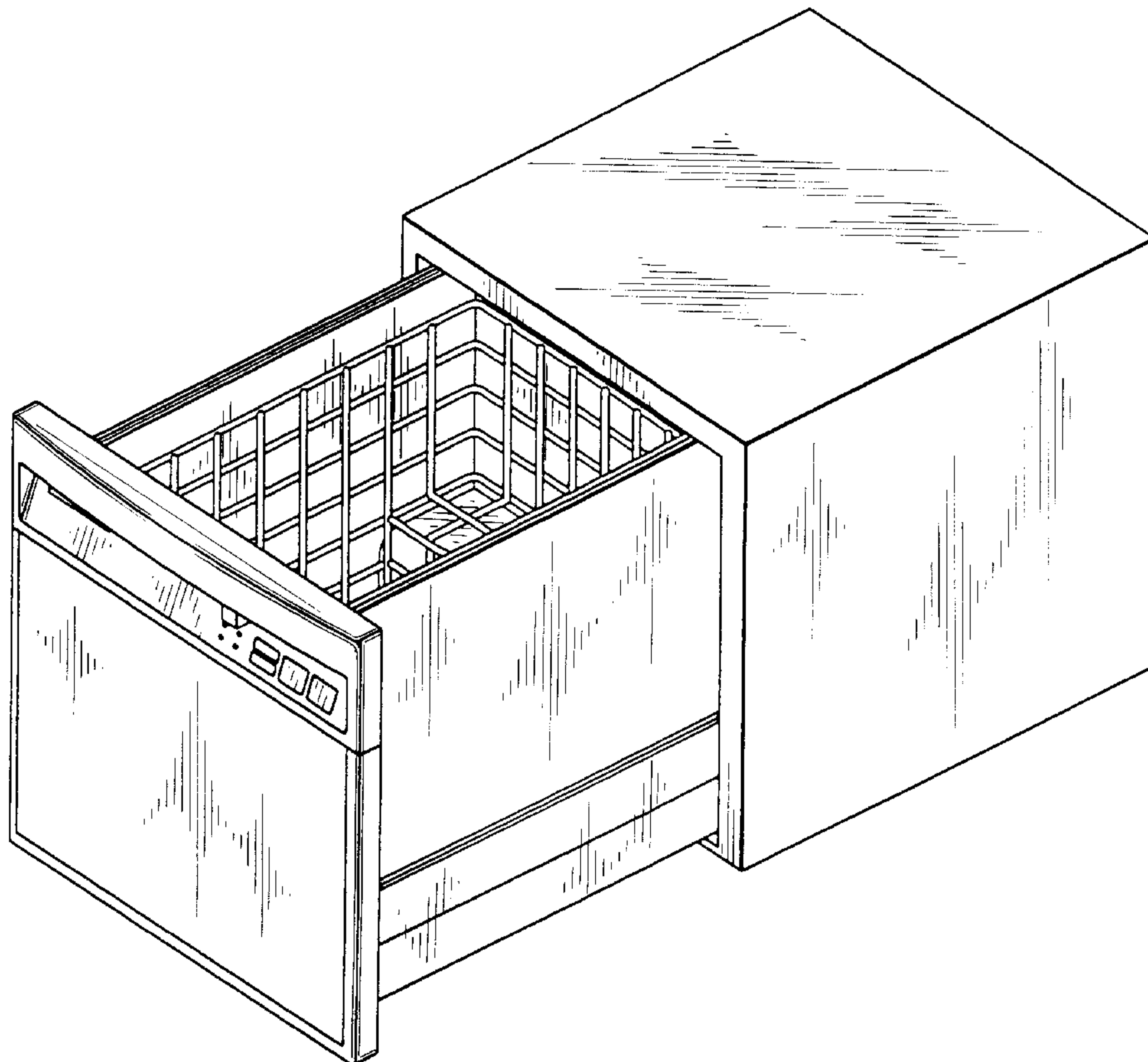


FIG. 1

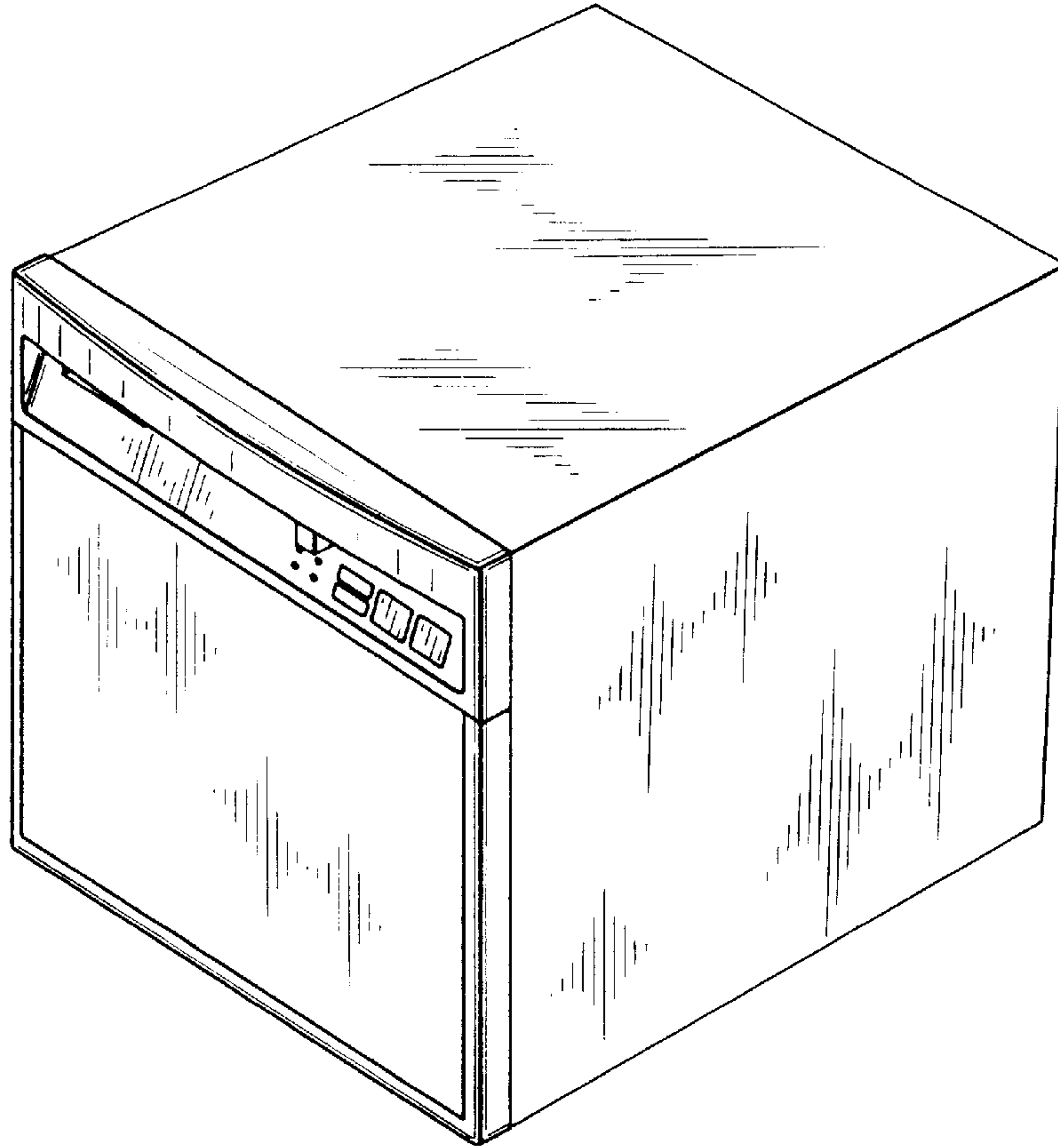


FIG. 2

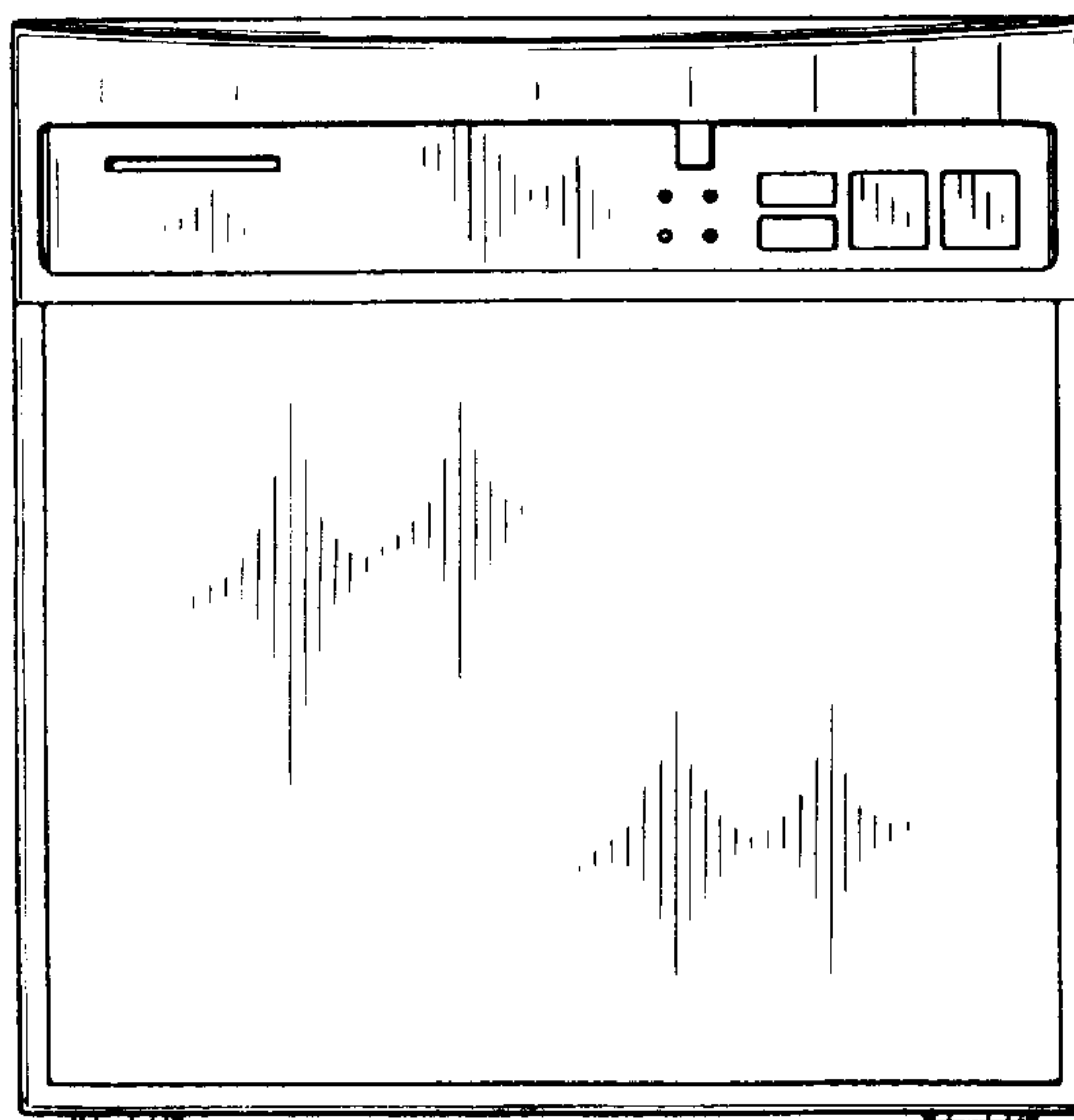


FIG. 3

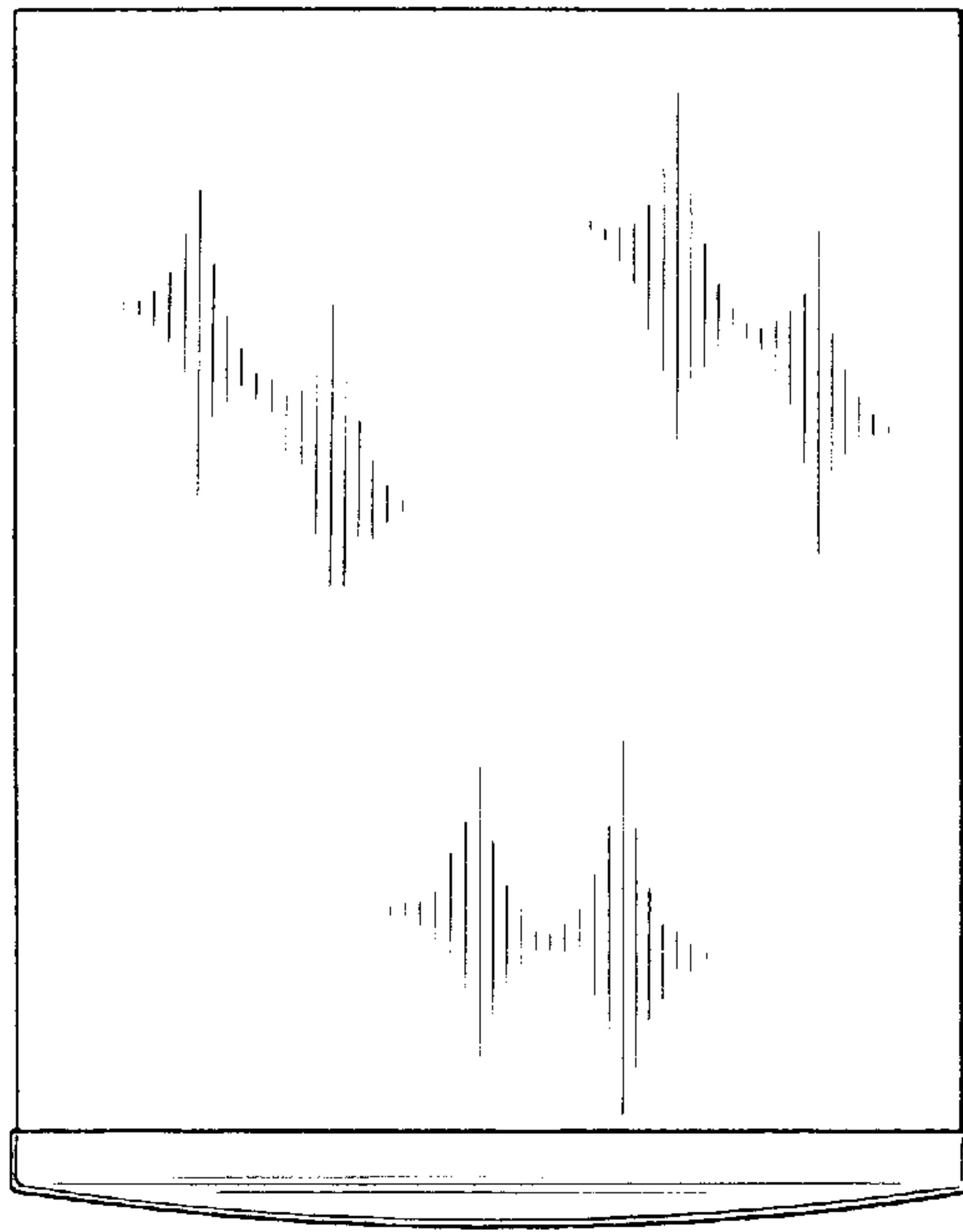


FIG. 4

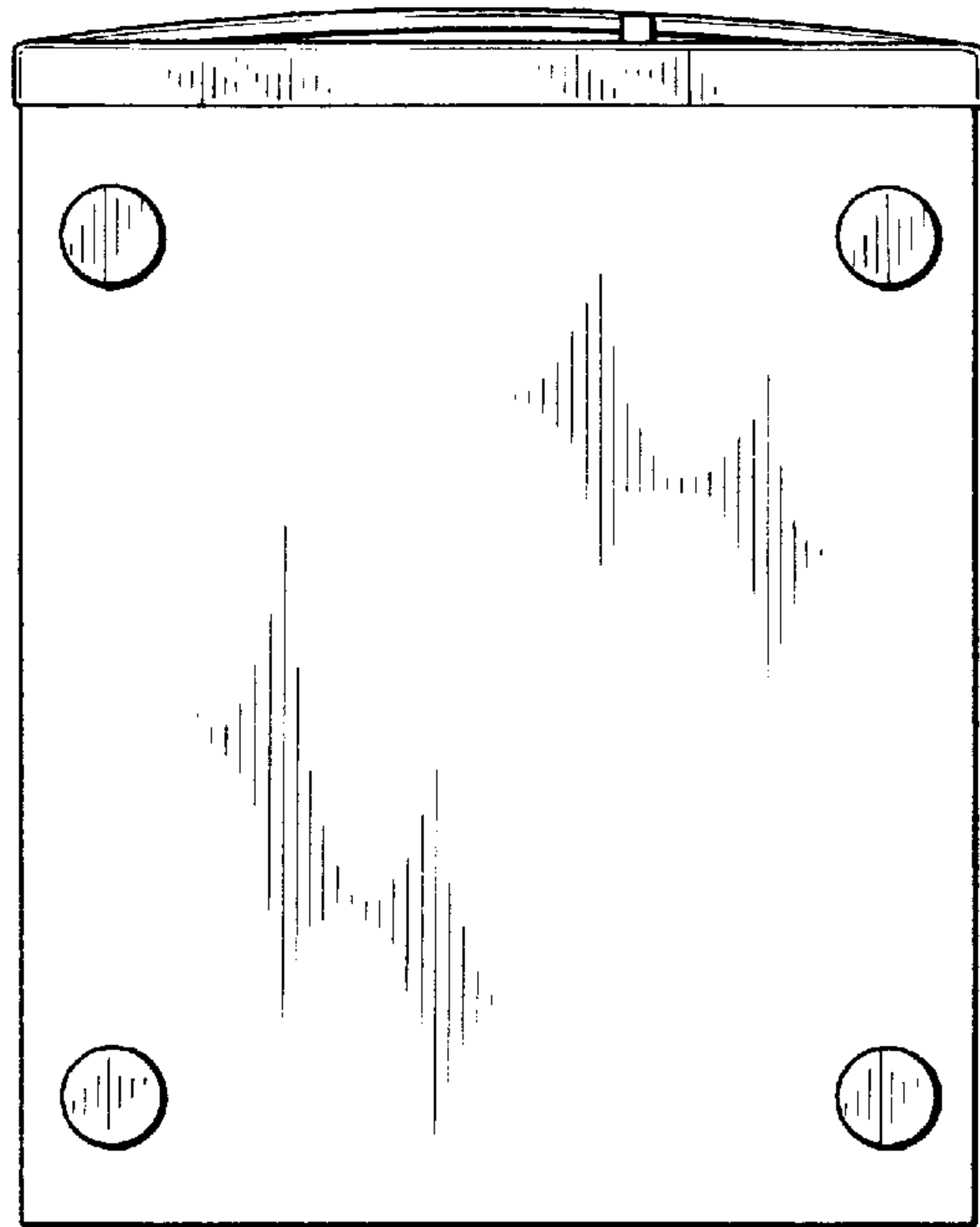


FIG. 5

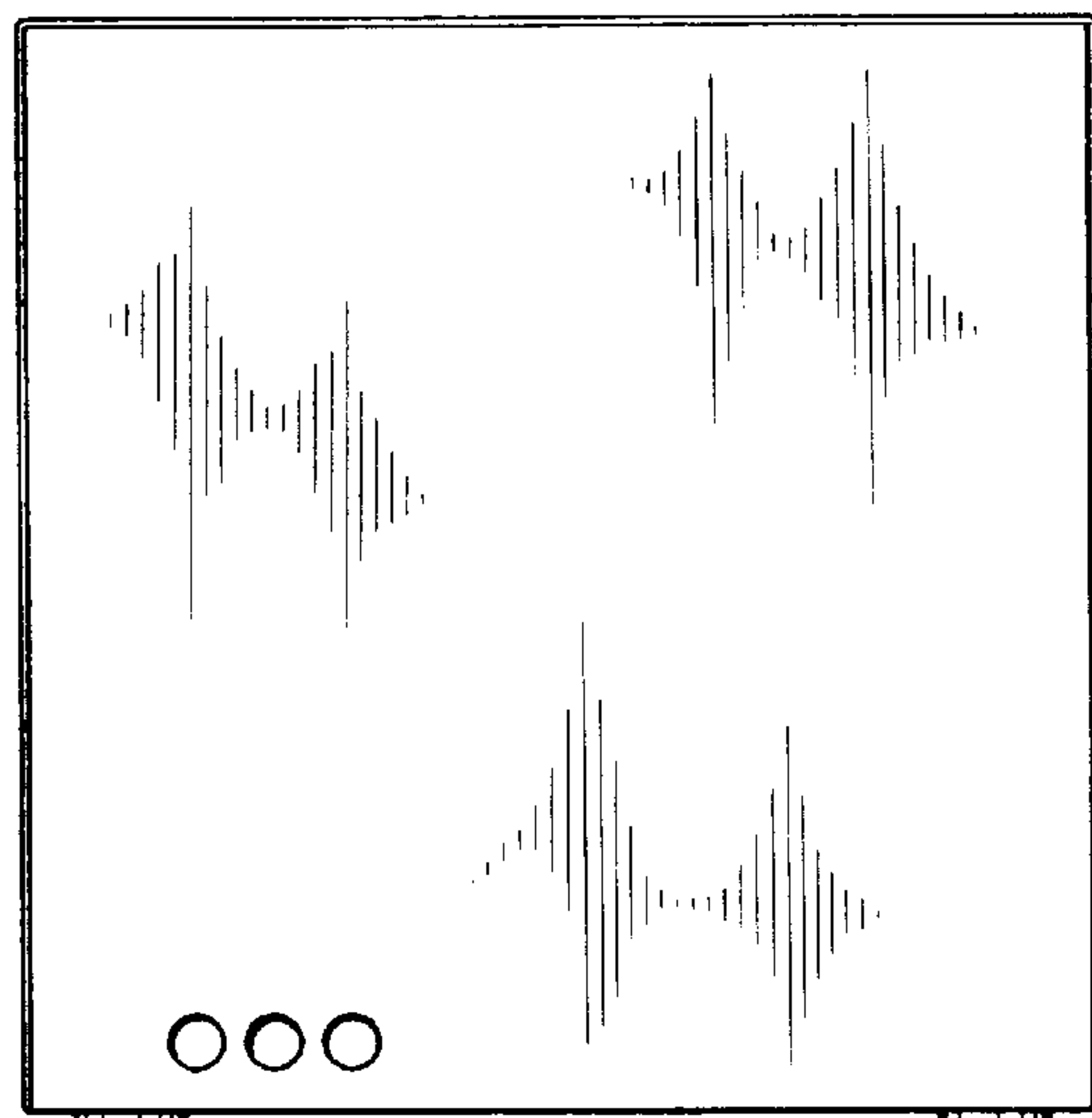


FIG. 6

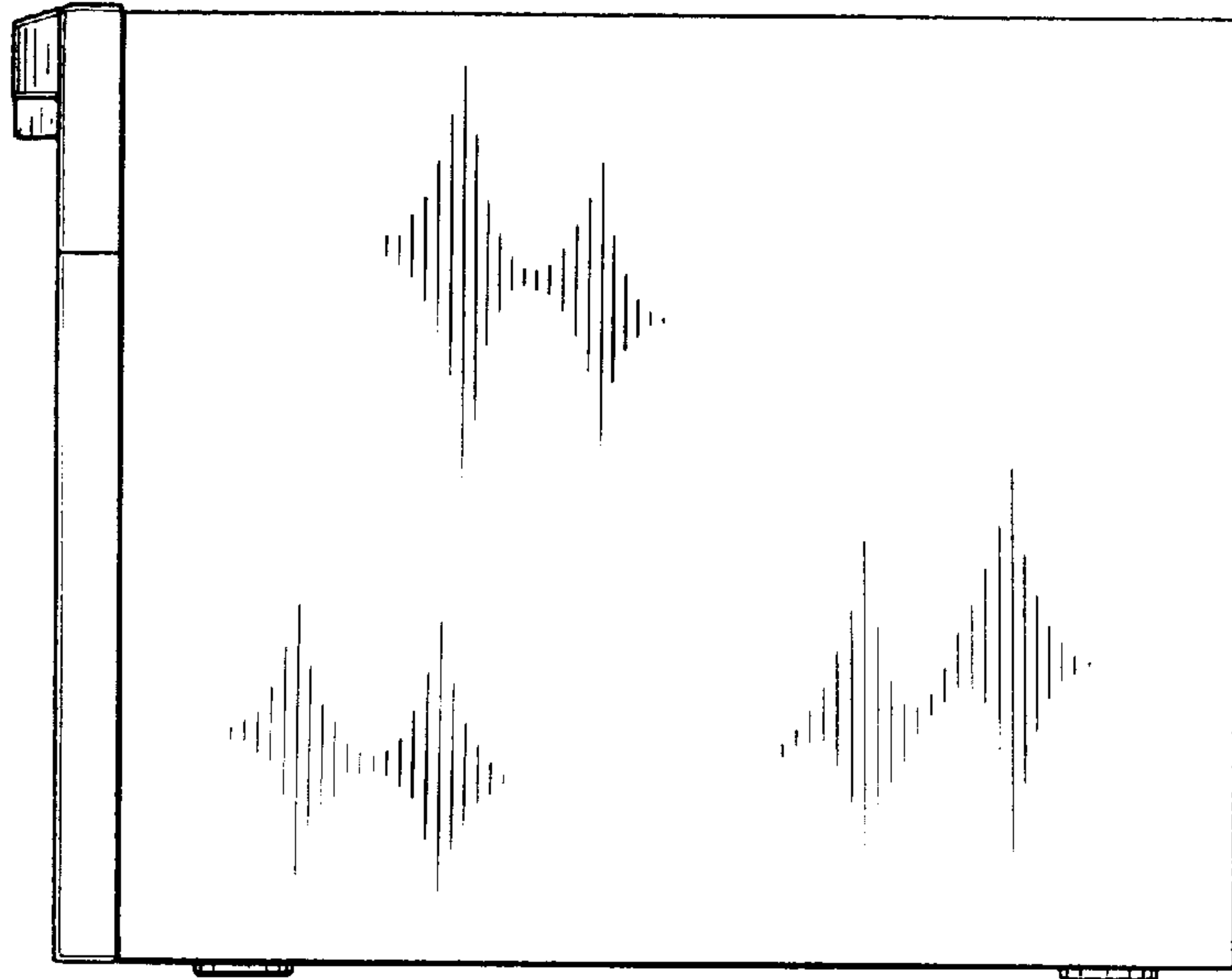
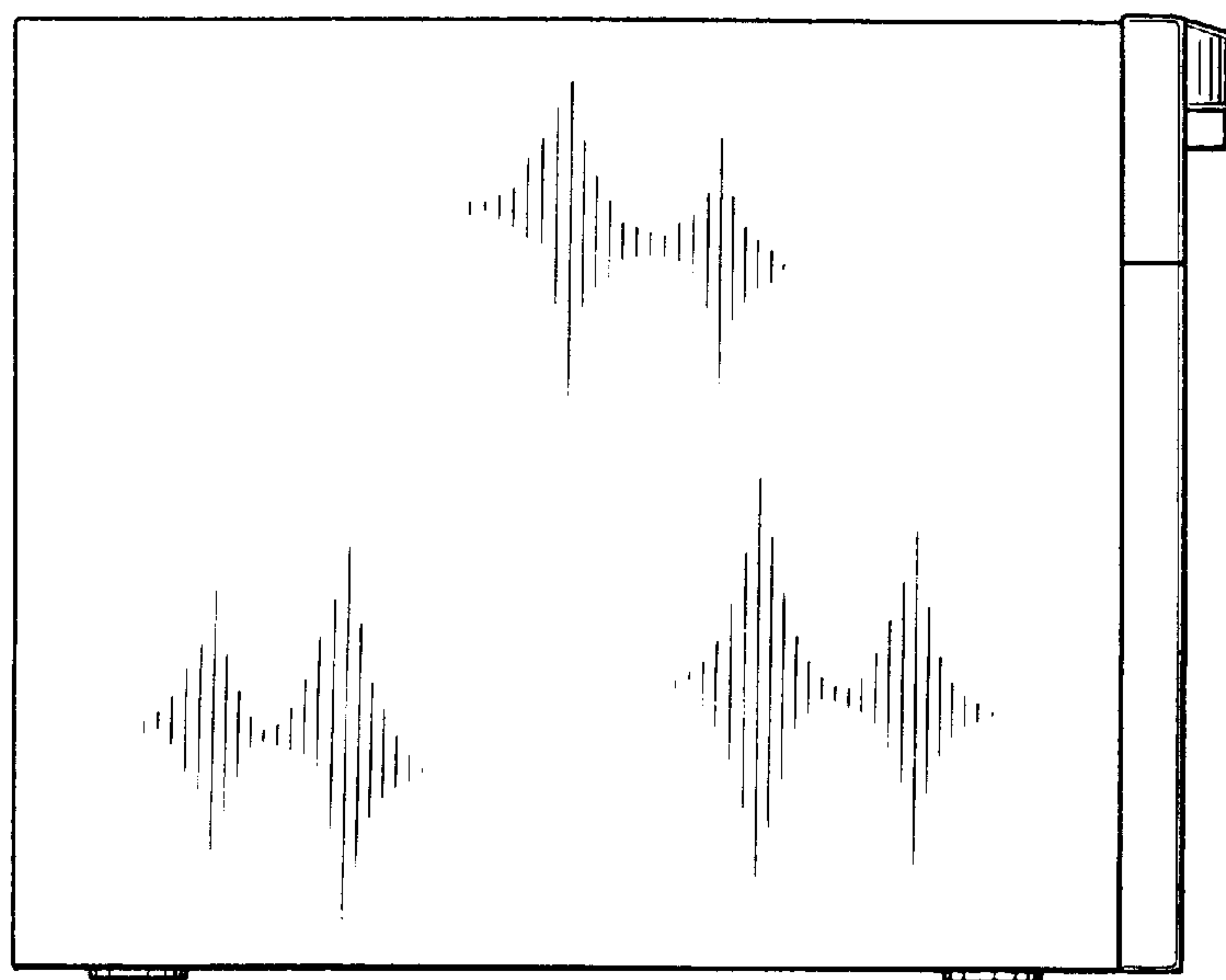


FIG. 7



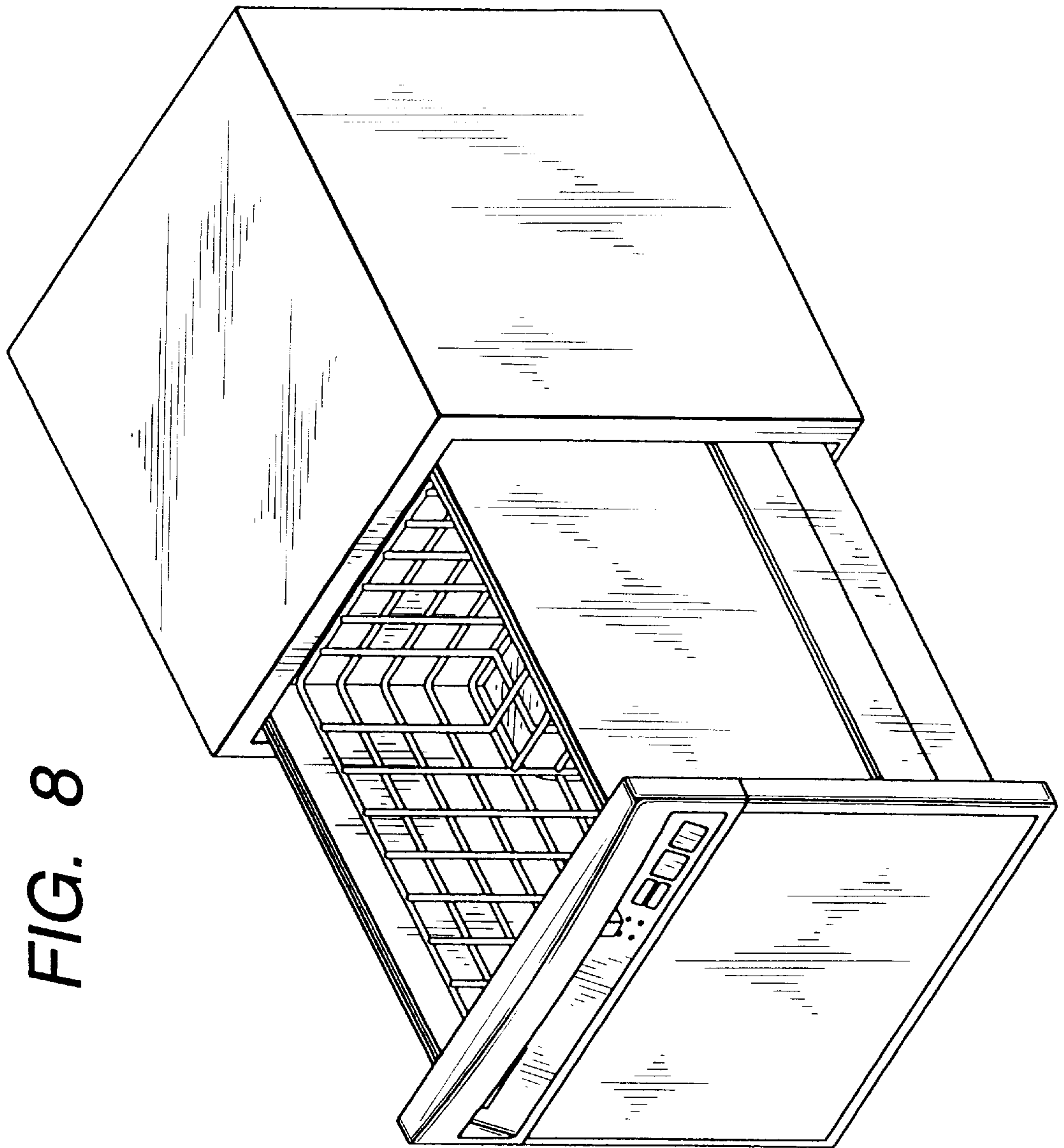


FIG. 8