



US00D424253S

United States Patent [19]

Bradley et al.

[11] Patent Number: **Des. 424,253**

[45] Date of Patent: **** May 2, 2000**

[54] **ORTHOPEDIC SPLINT FOR ANIMAL LEG**

[75] Inventors: **Willis Bradley**, Gardena; **Leah Rotter**, Los Angeles, both of Calif.

[73] Assignee: **Lenjoy Engineering, Inc.**, Gardena, Calif.

[**] Term: **14 Years**

[21] Appl. No.: **29/076,072**

[22] Filed: **Sep. 3, 1997**

[51] **LOC (7) Cl.** **30-01**

[52] **U.S. Cl.** **D30/146**

[58] **Field of Search** 36/132, 111; D30/146-147; 119/850; 54/82; 168/18, 27, 22, 2, 1; 602/28; 2/20, 158

[56] **References Cited**

U.S. PATENT DOCUMENTS

2,214,052	9/1940	Good	36/132
3,126,869	3/1964	Young	119/712
3,405,506	10/1968	Kostur	54/82
3,911,497	10/1975	Lewis, Jr. et al.	2/16
4,342,185	8/1982	Pellew	54/82
4,479,457	10/1984	Rotolo	119/850
5,115,627	5/1992	Scott	54/82

5,363,632	11/1994	Armato	54/82
5,408,812	4/1995	Stark	54/82
5,441,015	8/1995	Farley	602/28
5,603,692	2/1997	Maxwell	602/28

Primary Examiner—Cathy Anne MacCormac
Attorney, Agent, or Firm—Natan Epstein; Beehler & Pavitt

[57] **CLAIM**

The ornamental design for orthopedic splint for animal leg, as shown and described.

DESCRIPTION

FIG. 1 is a top and side perspective view of an orthopedic splint for animal leg, showing our new design;
 FIG. 2 is an end view thereof, the opposite end being identical;
 FIG. 3 is a top plan view thereof;
 FIG. 4 is a side elevational view thereof, the opposite side being identical;
 FIG. 5 is a bottom plan view thereof; and,
 FIG. 6 is a another perspective view showing the orthopedic splint applied to a hind leg of a quadruped animal such as a dog or a cat.
 The broken lines in FIG. 6 are for purposes of illustration only and form no part of the claimed design.

1 Claim, 1 Drawing Sheet

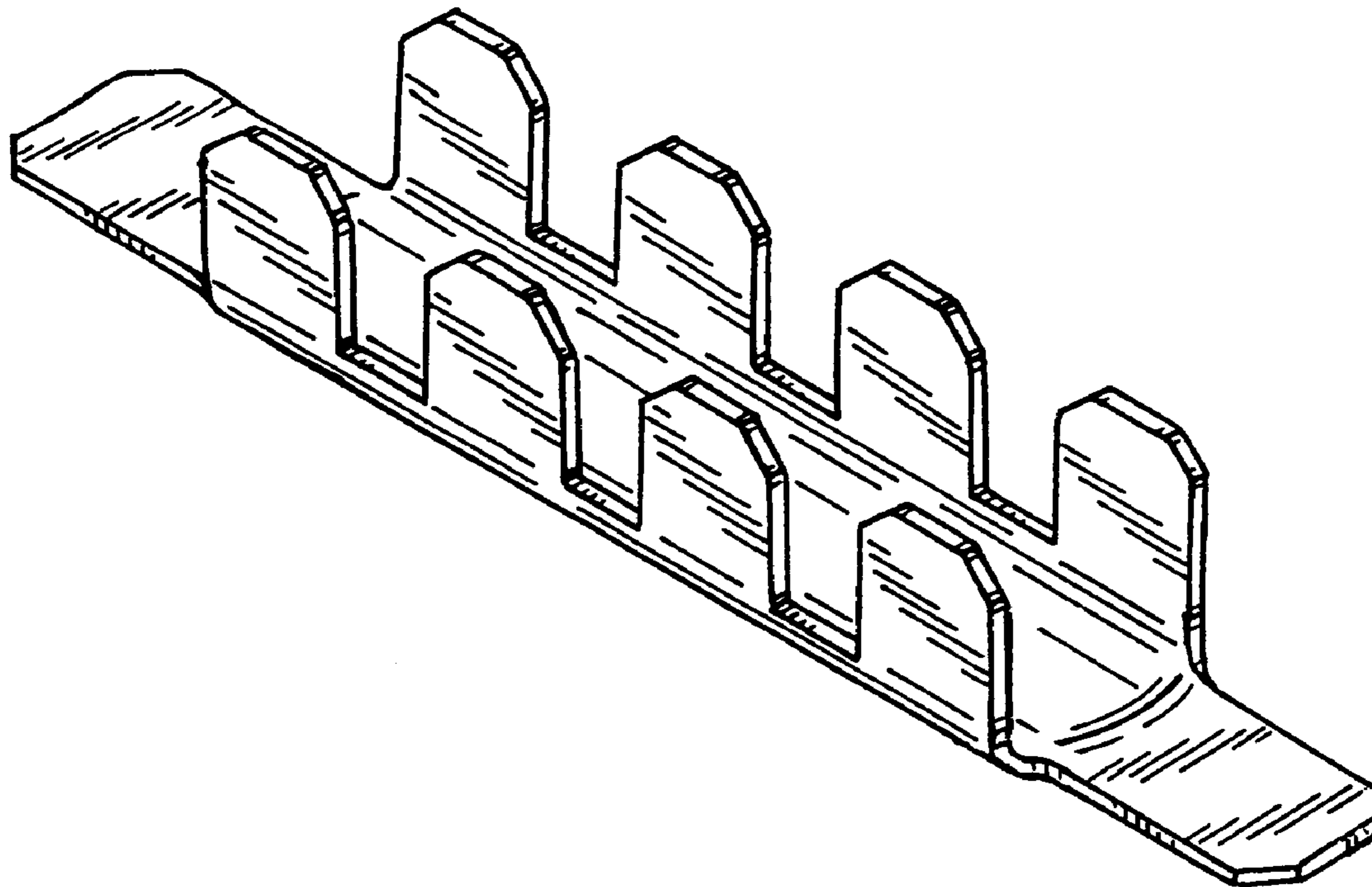


FIG. 1

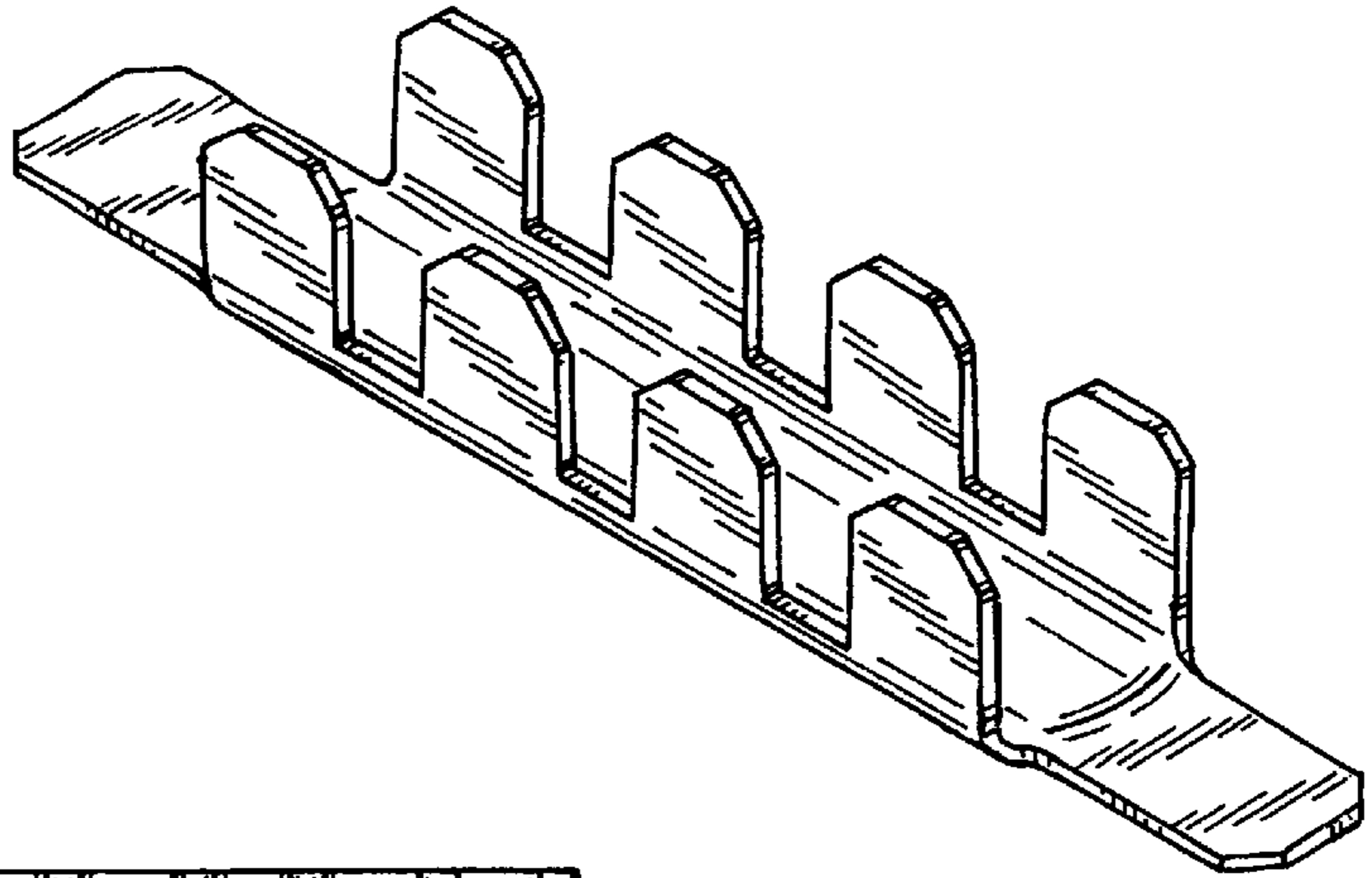


FIG. 3

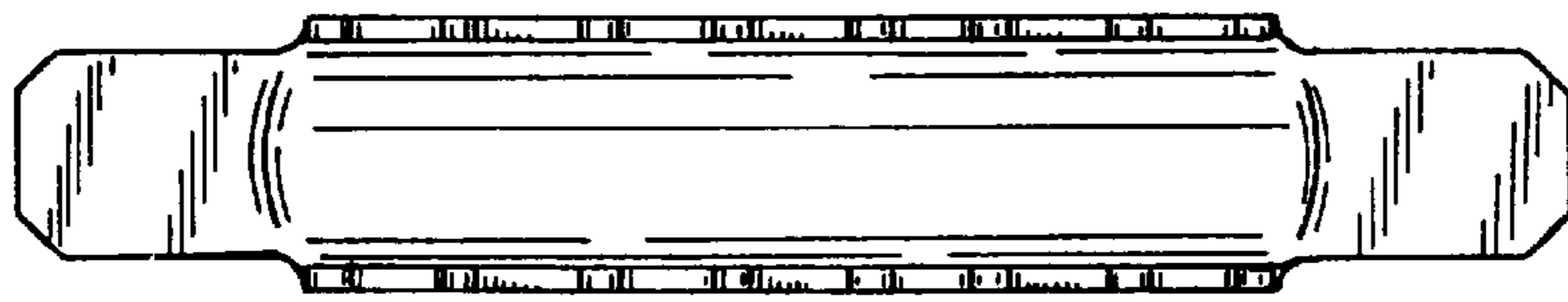


FIG. 4

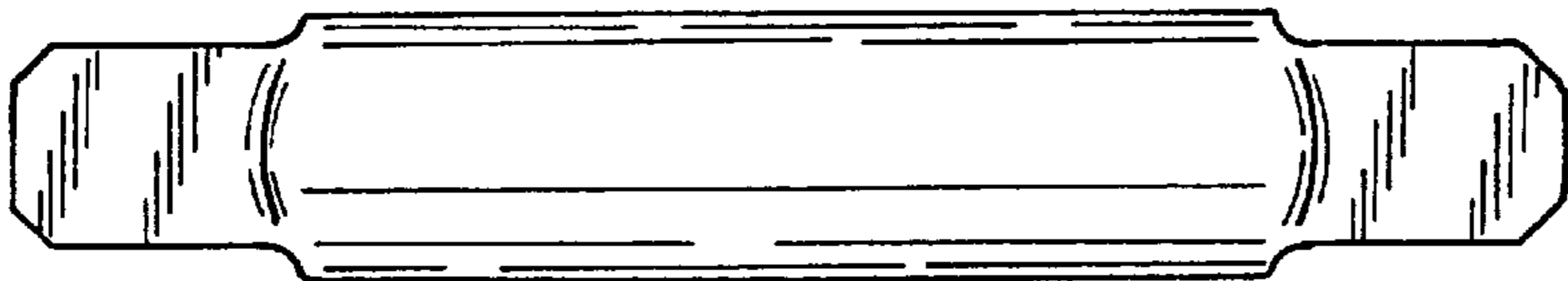
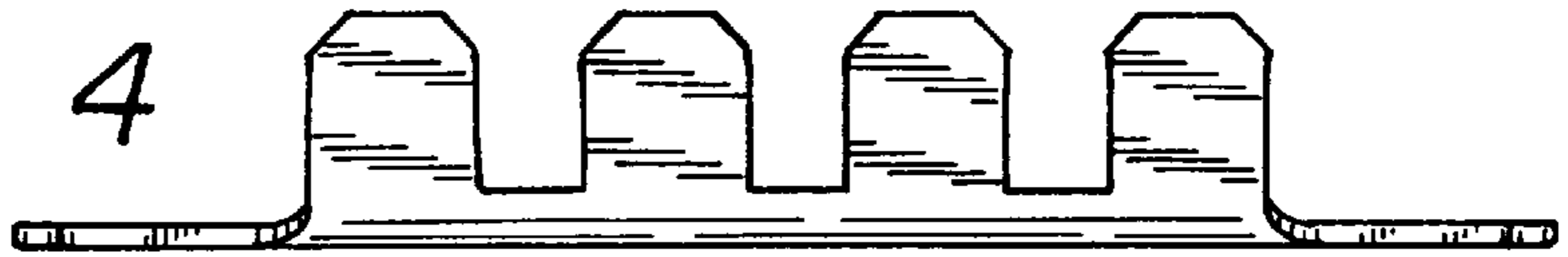


FIG. 5

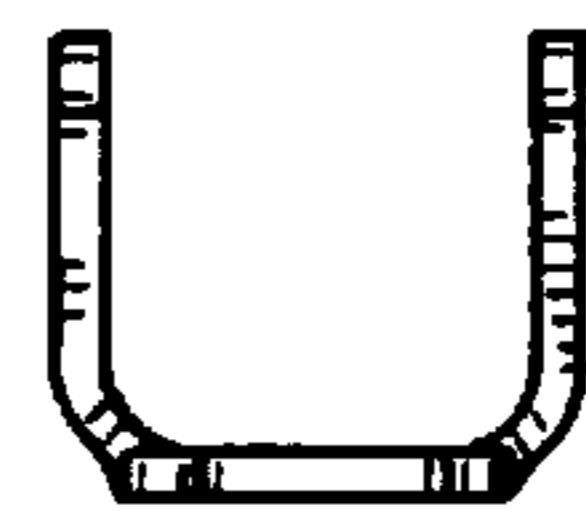


FIG. 2

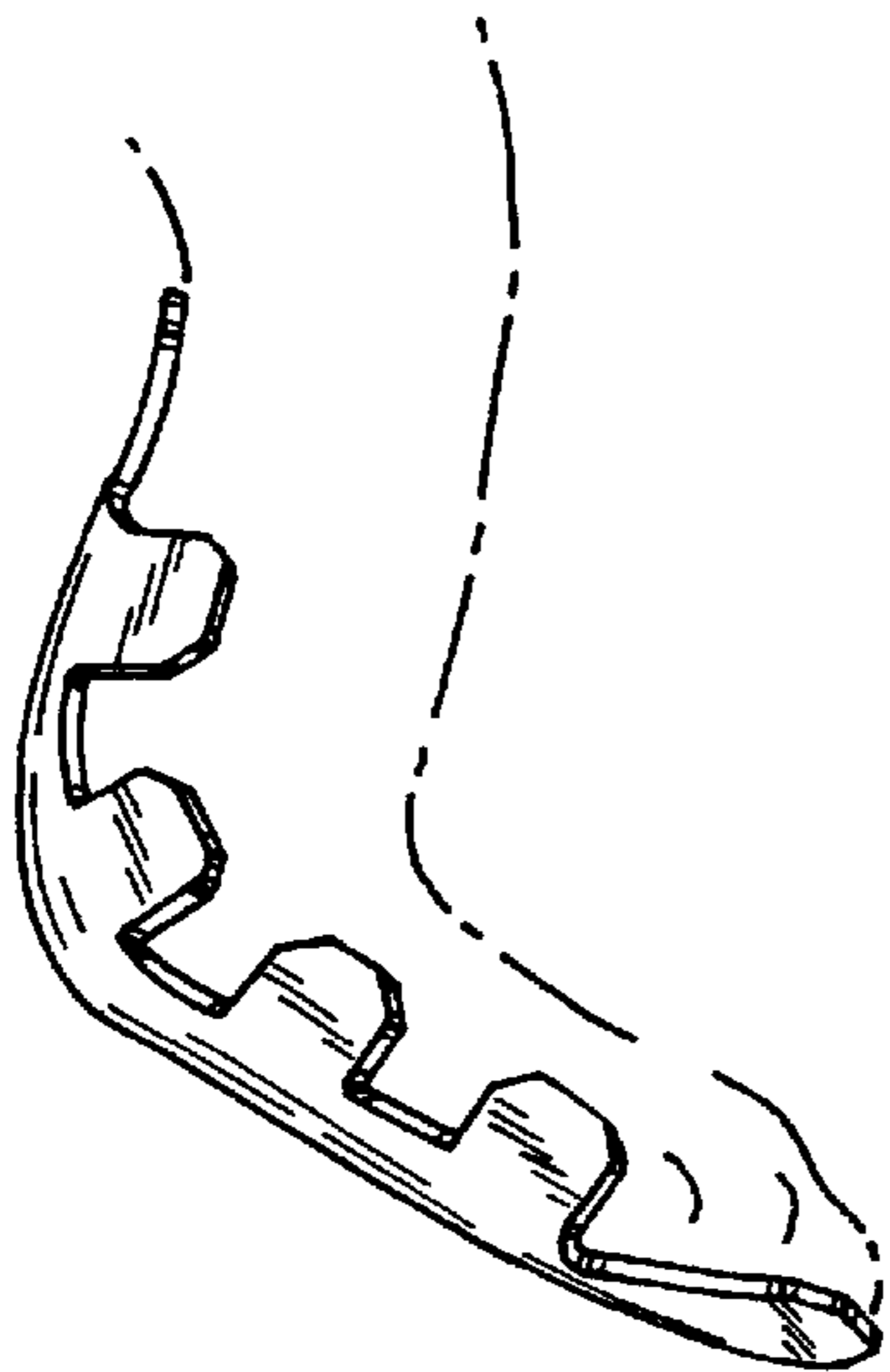


FIG. 6