



US00D424252S

United States Patent [19]
Hirsh

[11] **Patent Number: Des. 424,252**

[45] **Date of Patent: ** May 2, 2000**

[54] **COMBINED PET FEED, WATERING, AND STORAGE CONTAINER**

4,699,089 10/1987 Teschke 119/61
4,708,091 11/1987 Schafer 119/61

[76] Inventor: **Stuart H. Hirsh**, 1672 Mountcrest Ave., Los Angeles, Calif. 90069

[**] Term: **14 Years**

[21] Appl. No.: **29/069,091**

[22] Filed: **Apr. 10, 1997**

[51] **LOC (7) Cl.** **30-03**

[52] **U.S. Cl.** **D30/130**

[58] **Field of Search** 119/51.01, 51.04, 119/51.13, 56.1, 51.11-51.12, 54, 51.5-52.2, 61, 52.4, 230; D30/121, 129-133

[56] **References Cited**

U.S. PATENT DOCUMENTS

D. 316,214	4/1991	O'Donnell	D30/131
D. 322,887	1/1992	Kraker	D30/133
D. 335,007	4/1993	McPhee	D30/133
D. 335,767	5/1993	Yates	D30/133
D. 340,552	10/1993	Smith	D30/133
D. 374,517	10/1996	Morrill	D30/133
D. 377,244	1/1997	Steininger	D30/133
D. 385,068	10/1997	Malcolm	D30/130
4,022,160	5/1977	Lester	119/51.01
4,065,195	12/1977	Fahmie	119/61
4,633,815	1/1987	Peterson et al.	D30/131

OTHER PUBLICATIONS

Spiegel Catalog; p. 4; The Doggie Diner bench; Pine frame w/ 2 stainless bowls; Nov. 1990.

Sturbridge Yankee Workshop Catalog; p. 45; Orthopedically Correct Dog Feeder; Wood frame with 2 stainless steel bowls; Jul. 1991.

Signatures advertisement page; Custom Designed Dinnerware for Kitty; Apr. 1991.

Primary Examiner—Cathy Anne MacCormac

Attorney, Agent, or Firm—Bruce A. Jagger

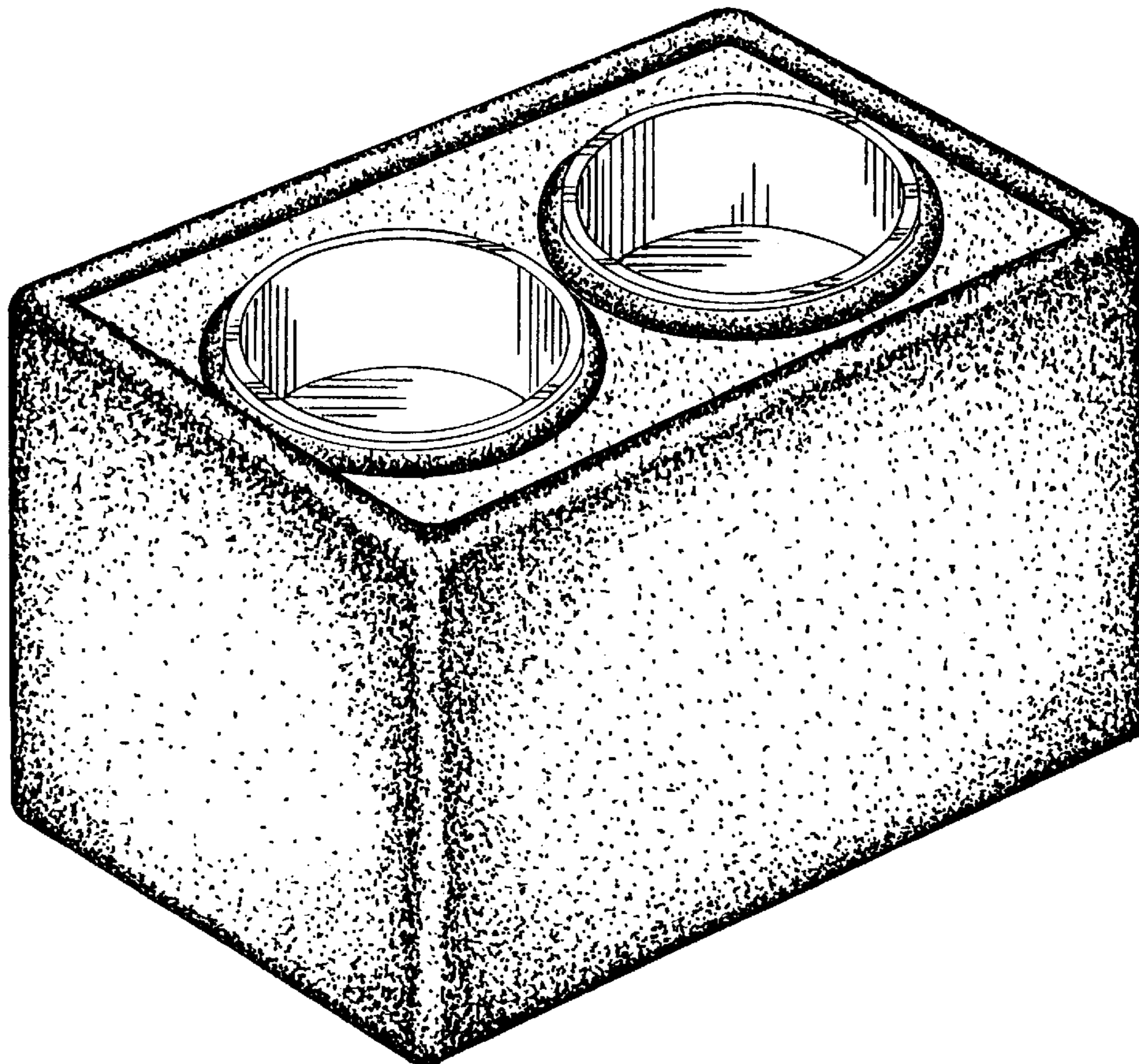
[57] **CLAIM**

The ornamental design for a combined pet feed, watering, and storage container, as shown.

DESCRIPTION

FIG. 1 is a perspective view of a combined pet feed, watering, and storage container showing my new design; FIG. 2 is a front view thereof; FIG. 3 is a top view thereof; FIG. 4 is a side view thereof; FIG. 5 is a bottom view thereof; and, FIG. 6 is an enlarged partial cross section taken along line 6—6 in FIG. 2.

1 Claim, 2 Drawing Sheets



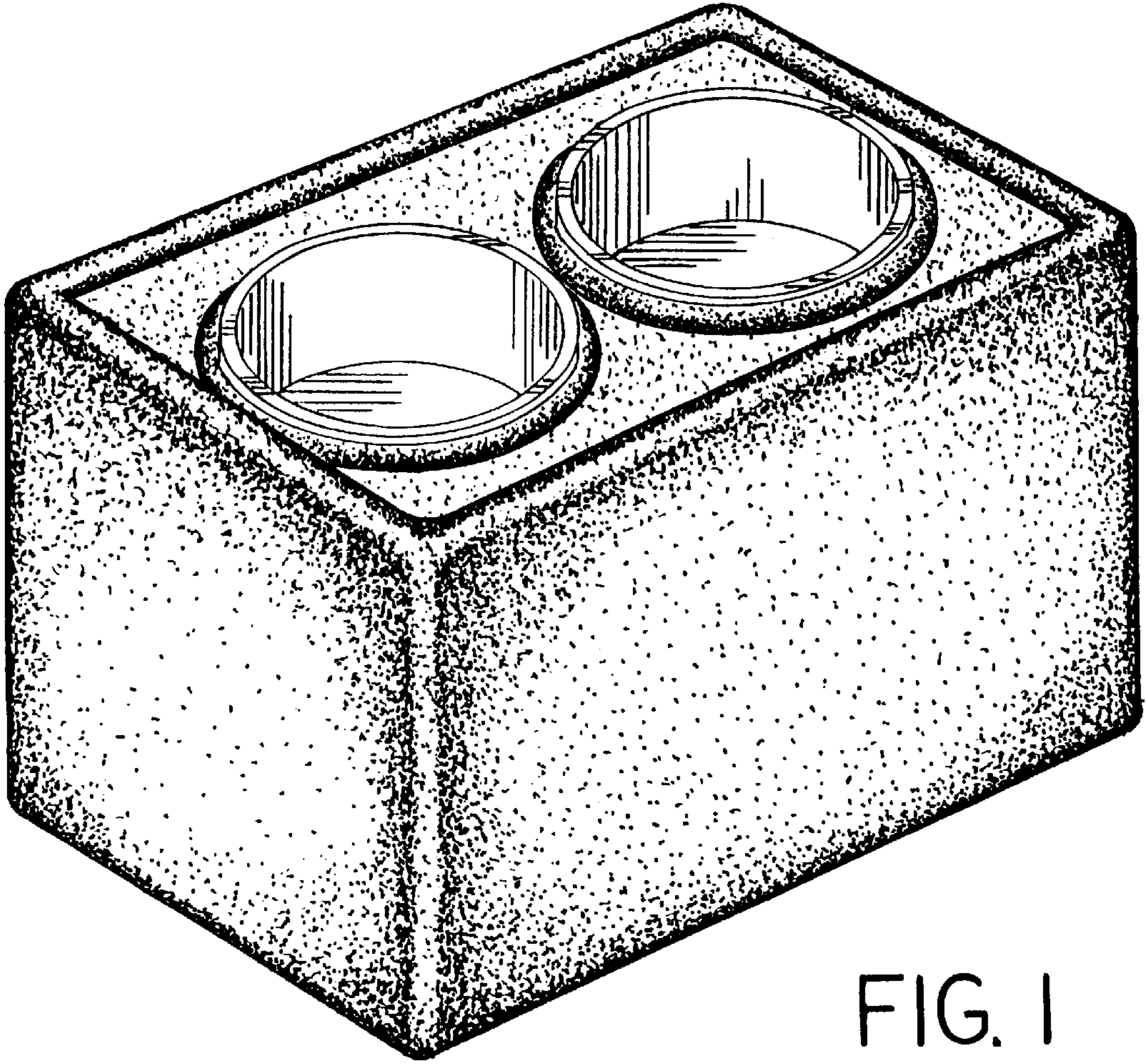


FIG. 1

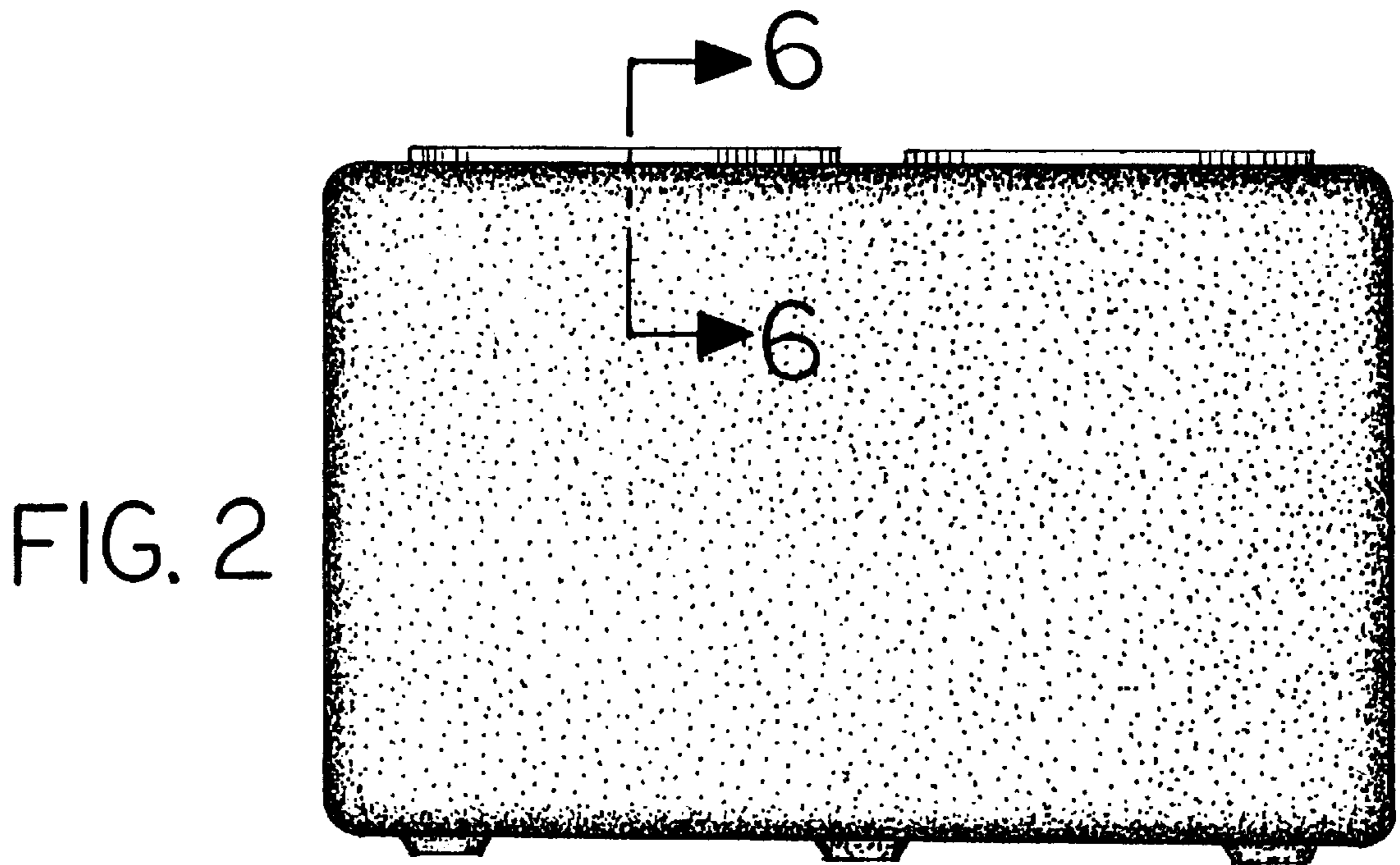


FIG. 2

FIG. 3

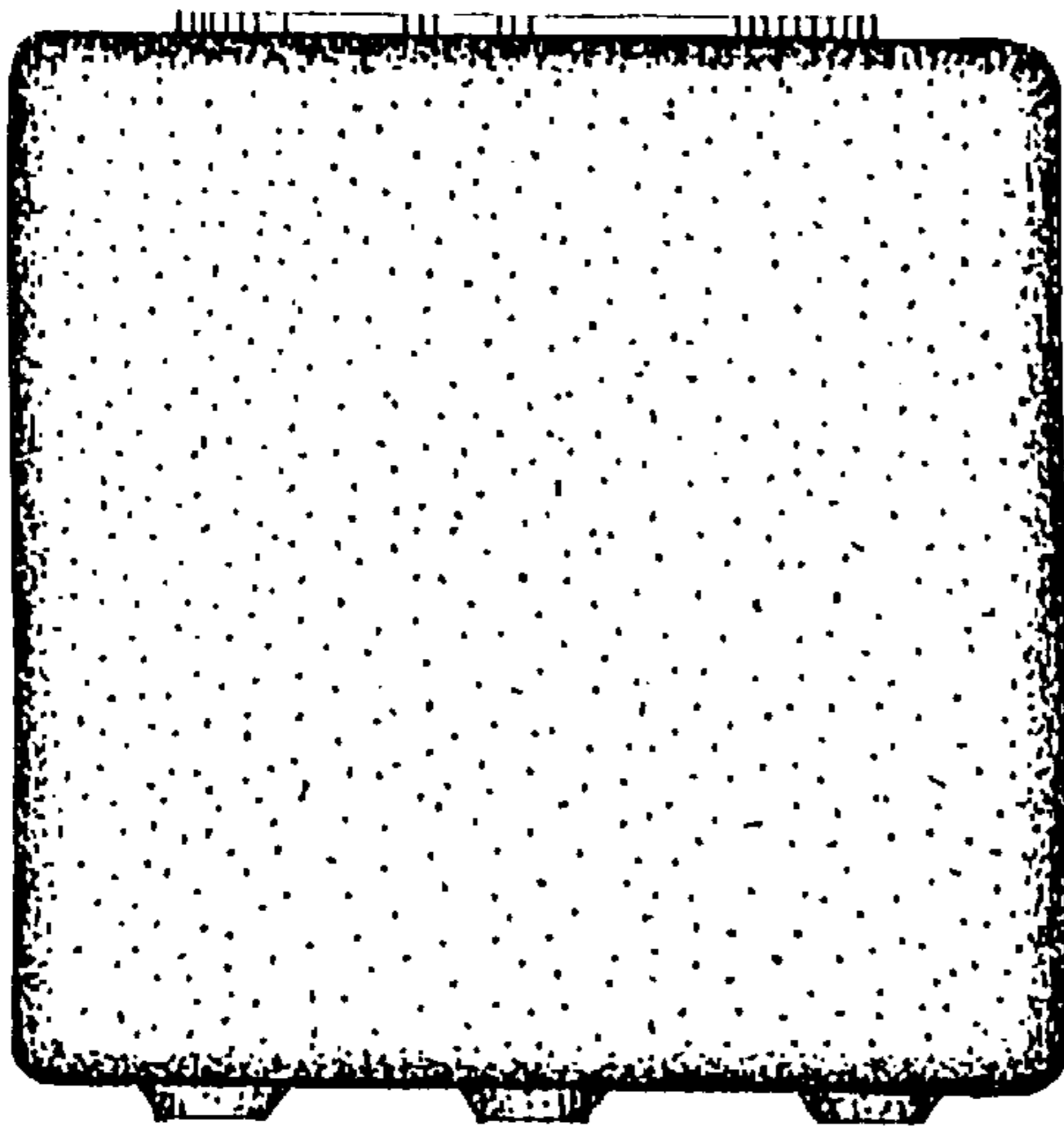
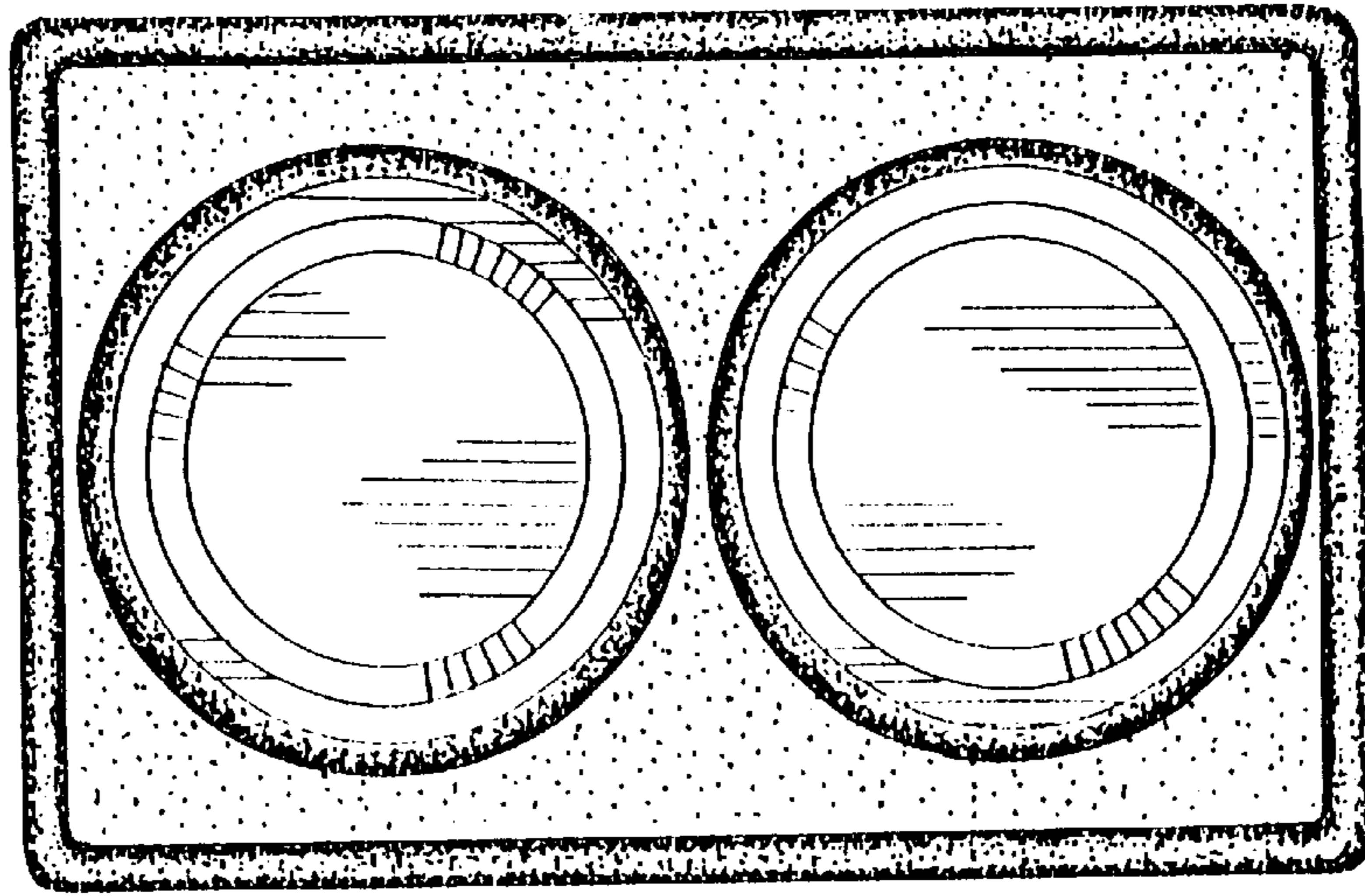


FIG. 4

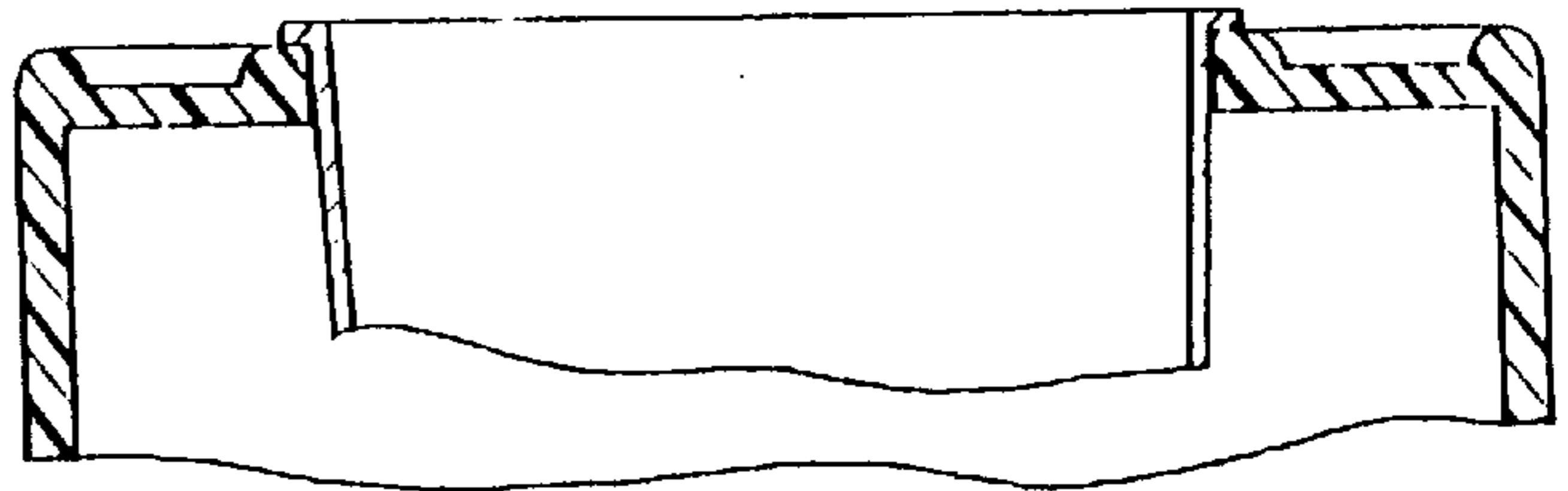


FIG. 6

FIG. 5

