



US00D424251S

United States Patent [19] Pickering

[11] Patent Number: **Des. 424,251**

[45] Date of Patent: **** May 2, 2000**

[54] **WILD BIRD FEEDER**

D. 407,863 4/1999 Leal et al. D30/124
4,928,631 5/1990 Smith 119/428

[76] Inventor: **Arthur Thomas Pickering**, Shovers
Green House, Wadhurst, East Sussex,
TN5 70Y, United Kingdom

Primary Examiner—Louis S. Zarfaz
Assistant Examiner—Catherine R. Oliver
Attorney, Agent, or Firm—MacMillan, Sobanski & Todd,
LLC

[**] Term: **14 Years**

[21] Appl. No.: **29/102,334**

[57] **CLAIM**

[22] Filed: **Mar. 22, 1999**

The ornamental design for a wild bird feeder, as shown and described.

[51] **LOC (7) Cl.** **30-03**

[52] **U.S. Cl.** **D30/124**

[58] **Field of Search** D30/124-128,
D30/121, 110, 111; 119/57.8, 57.9, 52.2,
52.3, 53, 428, 429, 51.03, 51.01

DESCRIPTION

FIG. 1 is a perspective view as seen from the left front side of a wild bird feeder showing my new design; FIG. 2 is a perspective view thereof as seen from the front; FIG. 3 is a perspective view thereof as seen from the rear; FIG. 4 is a top plan view thereof; FIG. 5 is a bottom view thereof; FIG. 6 is a right side view thereof; and, FIG. 7 is a left side view thereof.

[56] **References Cited**

U.S. PATENT DOCUMENTS

D. 243,465 2/1977 Greene D30/124
D. 349,784 8/1994 Burns et al. D30/110
D. 358,907 5/1995 Spivey D30/110
D. 370,311 5/1996 Logan, Jr. D30/110

1 Claim, 3 Drawing Sheets

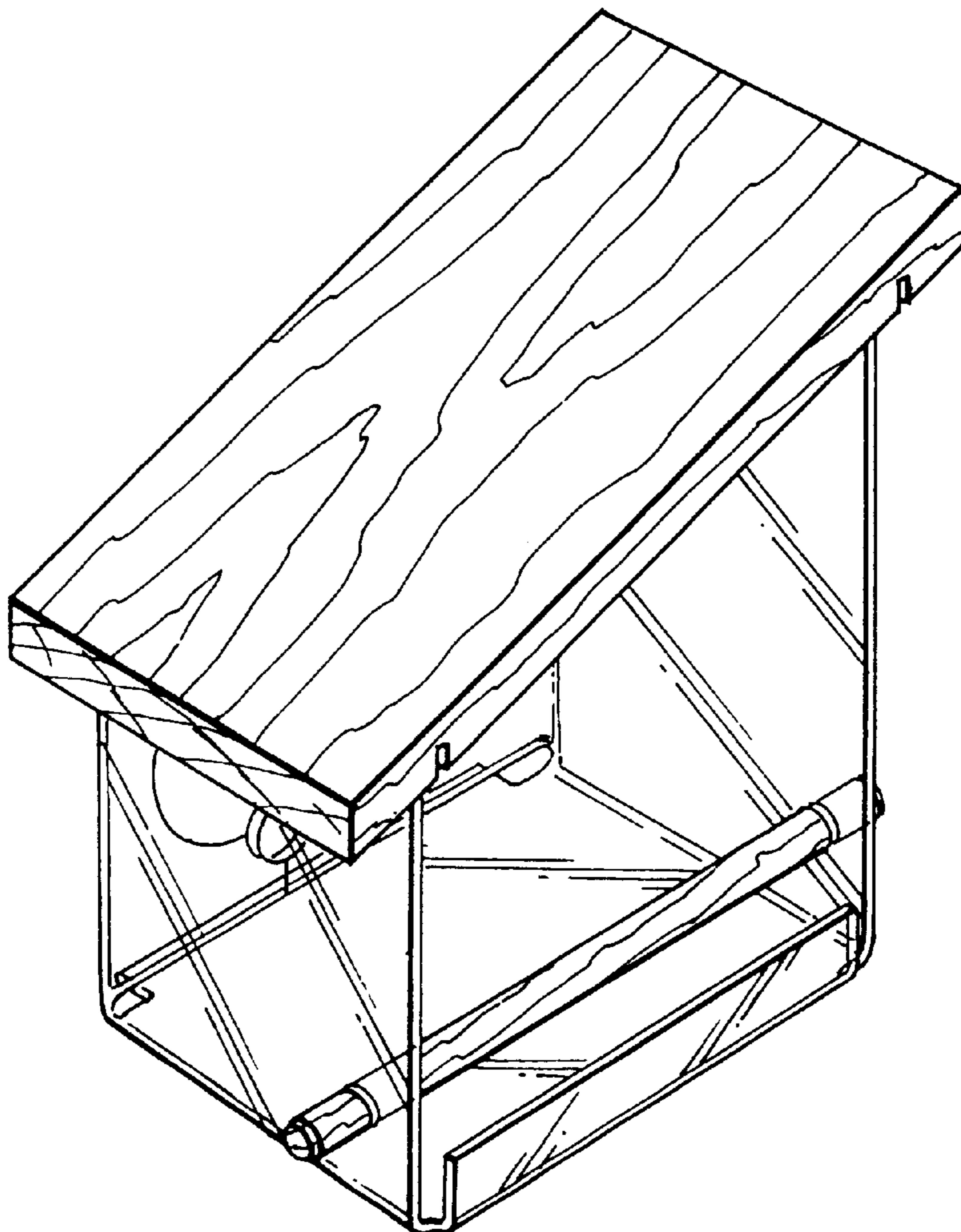


Fig. 1.

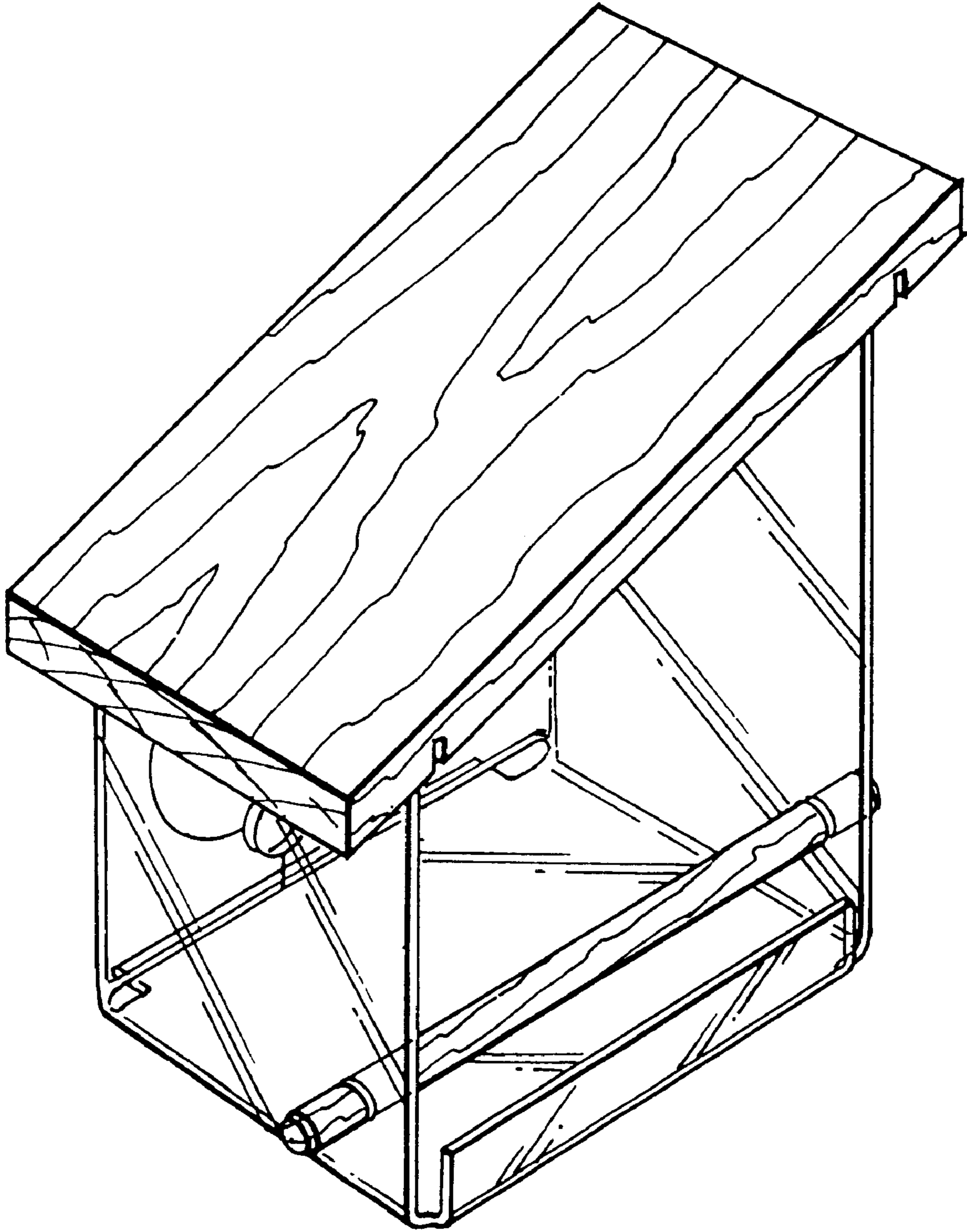


Fig.2.

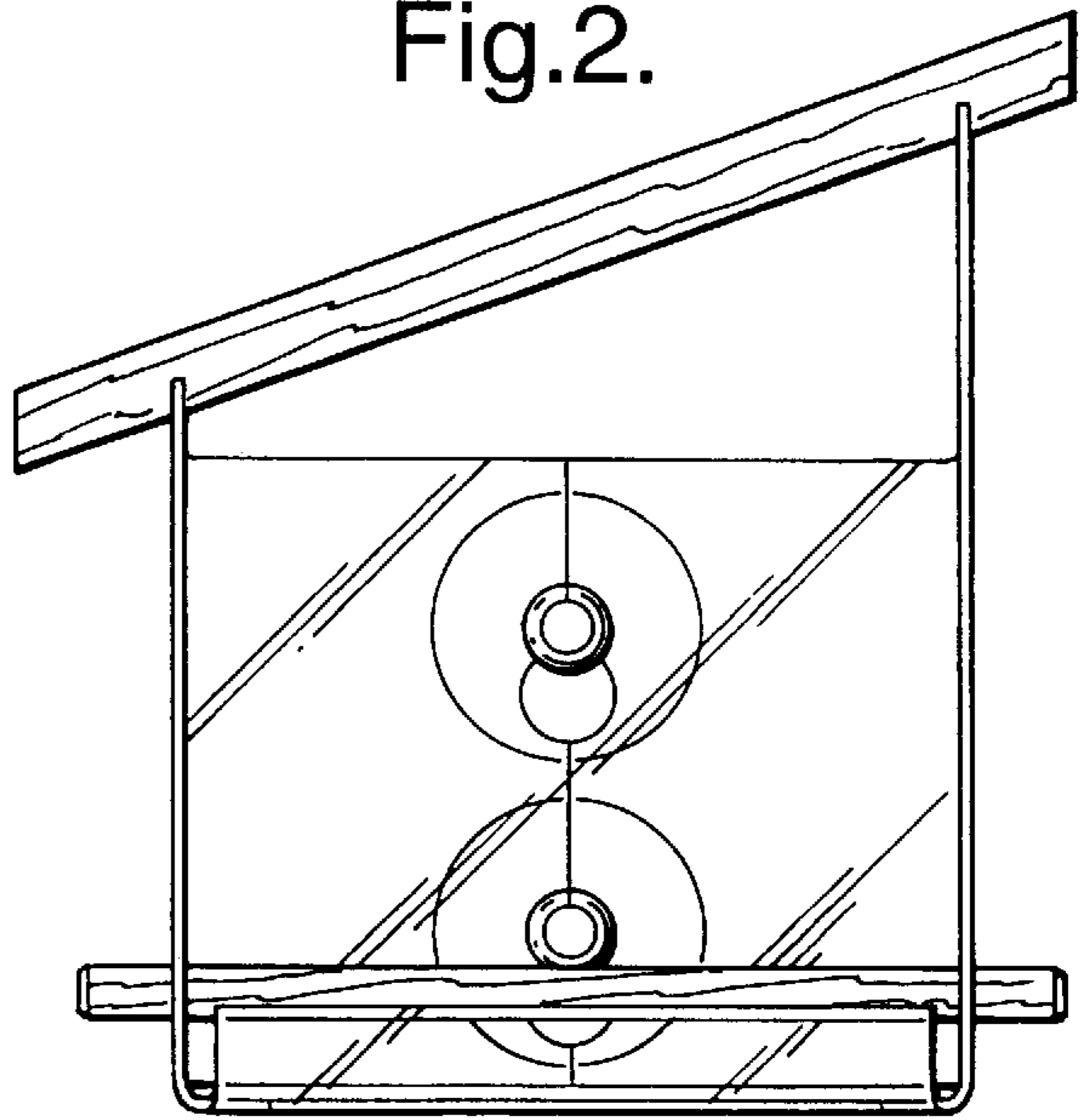


Fig.3.

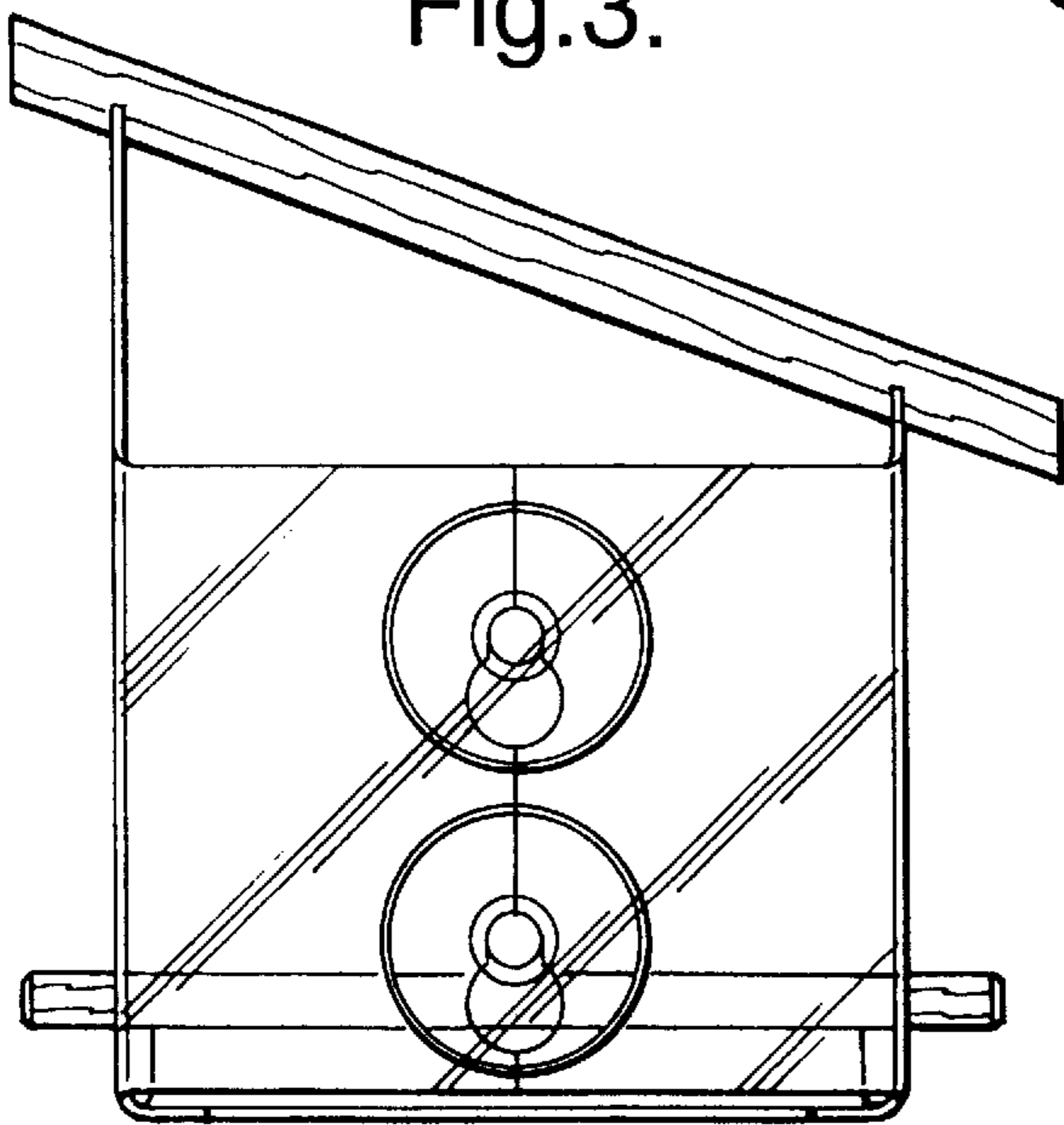


Fig.4.

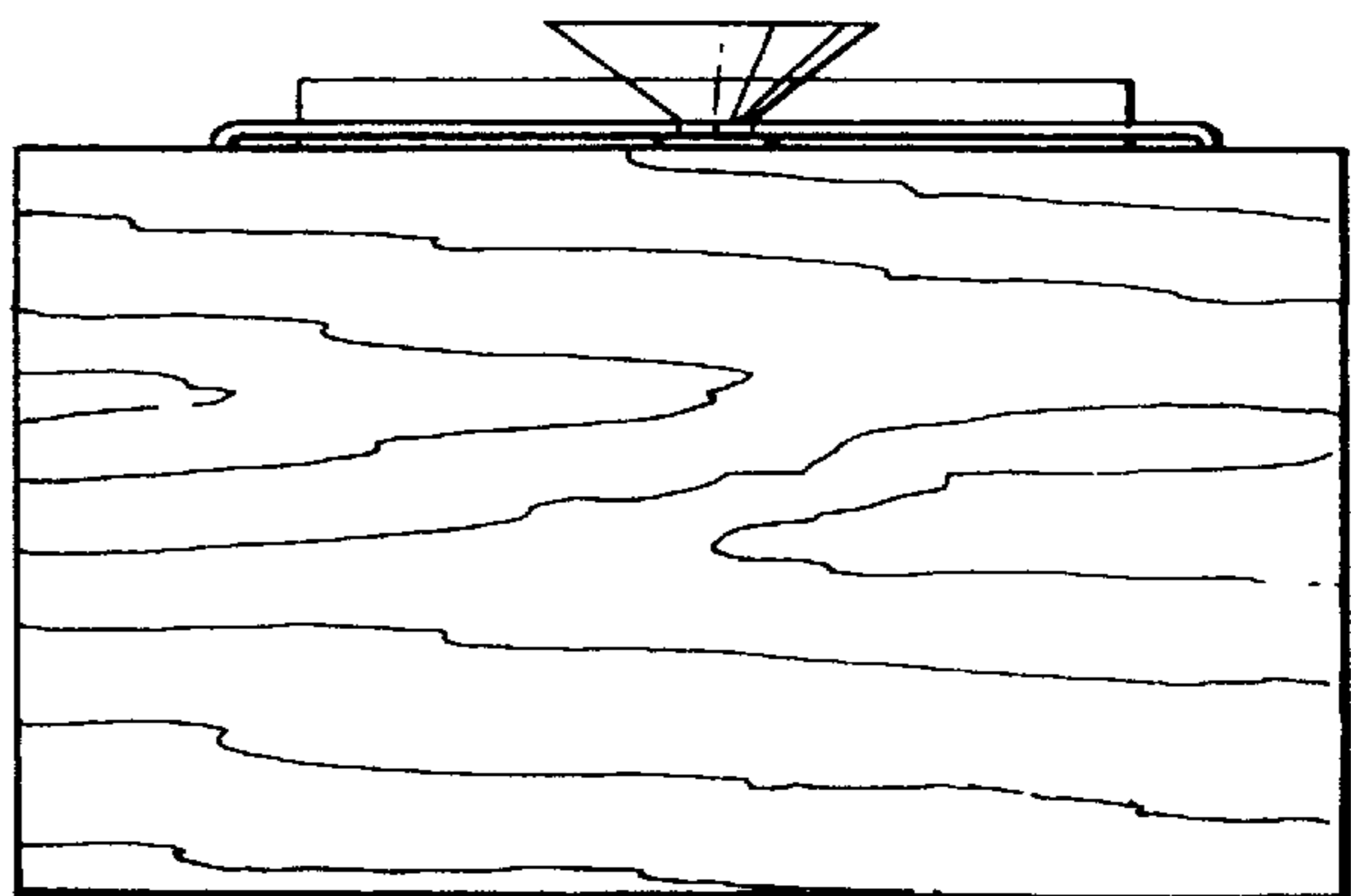


Fig.5.

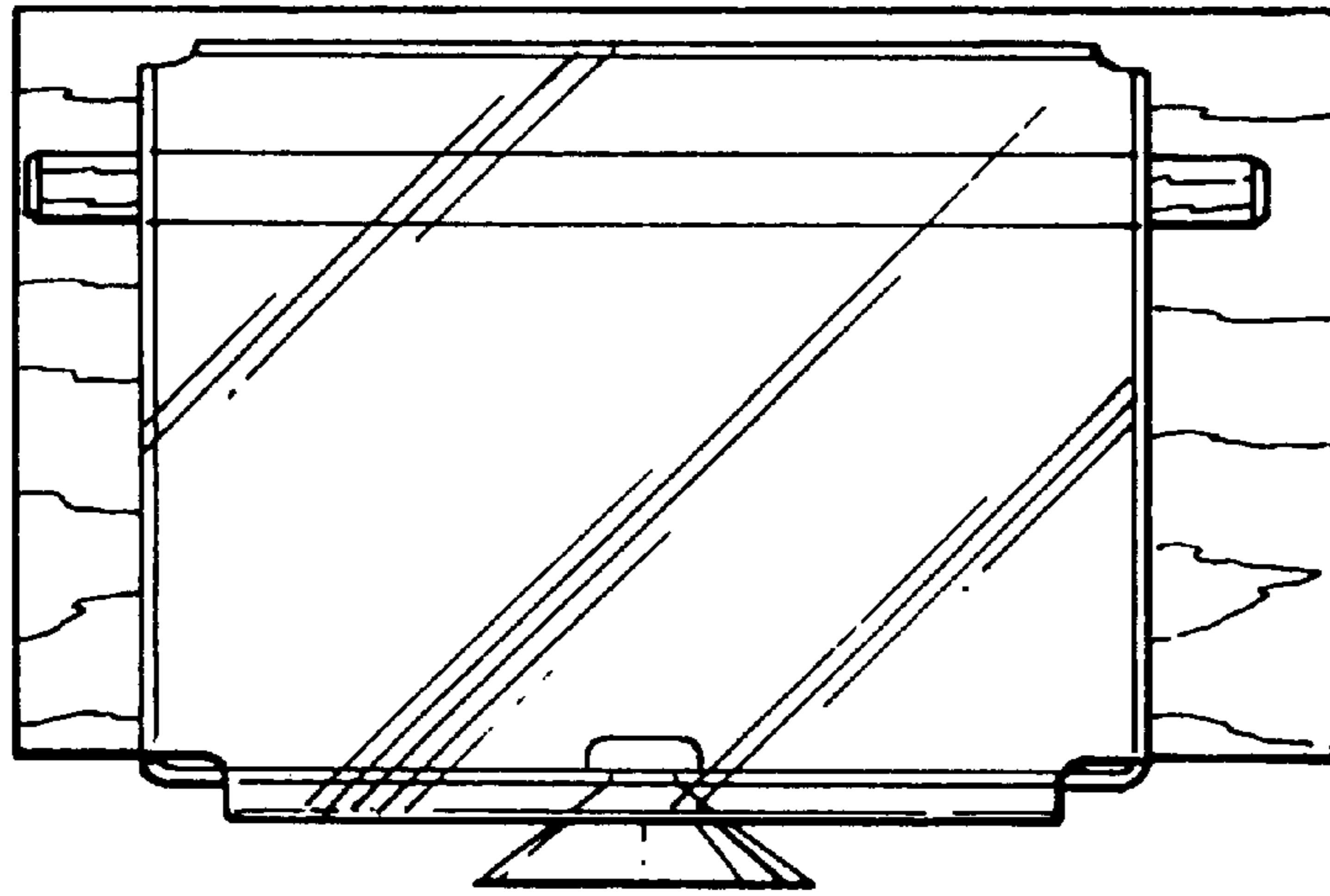


Fig.6.

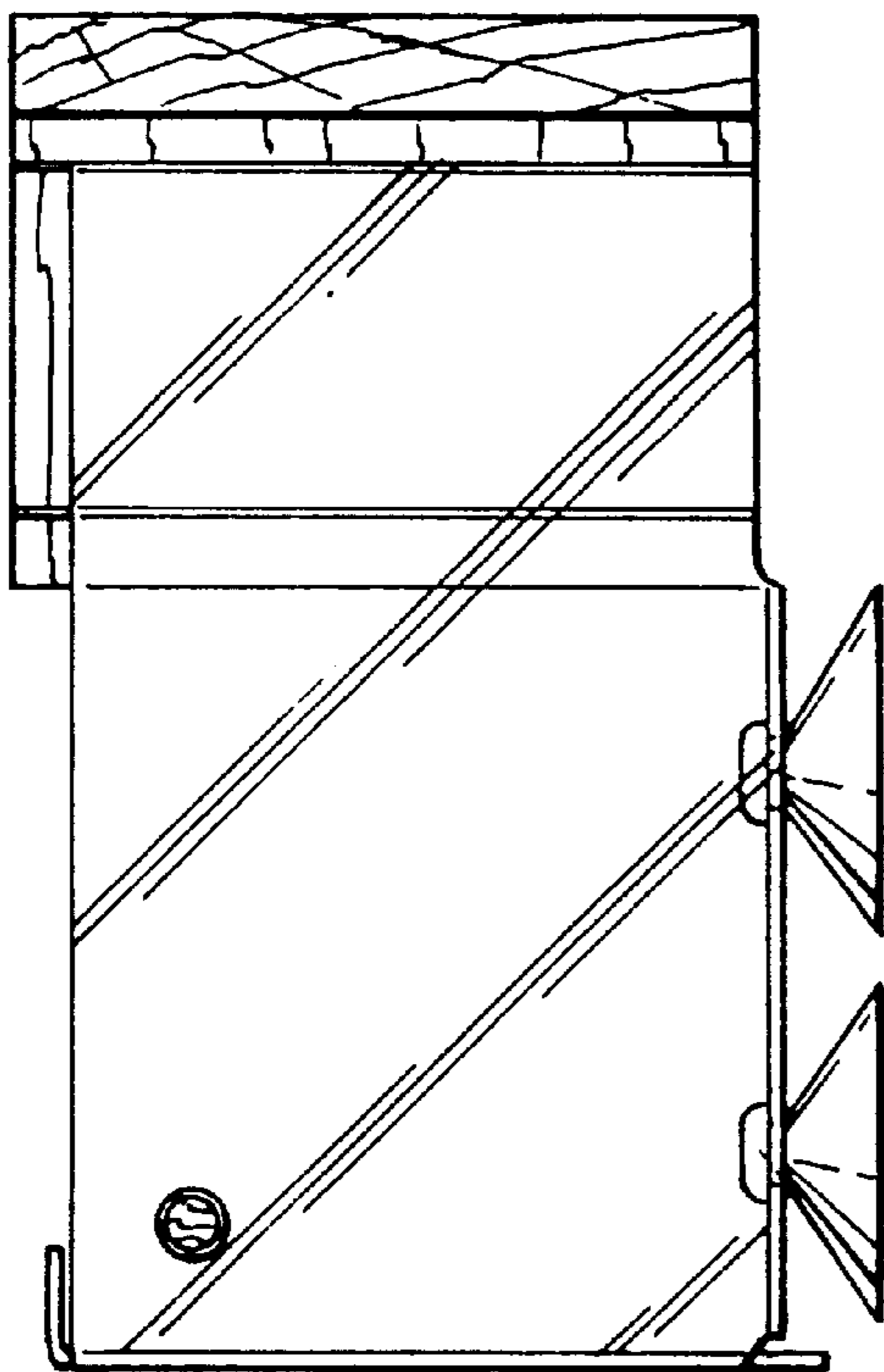


Fig.7.

