



US00D424249S

United States Patent [19]

[11] **Patent Number: Des. 424,249**

Banzaca

[45] **Date of Patent: ** May 2, 2000**

[54] **ENVIRONMENTAL EXTENSION FOR PETS**

5,890,455 4/1999 Donchey 119/484
5,975,017 11/1999 Cameron 119/484 X

[76] Inventor: **Gerard Banzaca**, 42 Dwight Pl., Apt. 4, Englewood, N.J. 07631

Primary Examiner—Louis S. Zarfes
Assistant Examiner—Catherine R. Oliver
Attorney, Agent, or Firm—W. Patrick Quast, Esq.

[**] Term: **14 Years**

[21] Appl. No.: **29/104,060**

[57] **CLAIM**

[22] Filed: **Apr. 27, 1999**

The ornamental design for environmental extension for pets, as shown and described.

[51] **LOC (7) Cl.** **30-02**

DESCRIPTION

[52] **U.S. Cl.** **D30/119**

[58] **Field of Search** D30/108, 109, D30/110, 119, 199; 119/420, 474, 484, 51.01; 47/68; D11/145, 165

FIG. 1 is a front, top and left side perspective view of an environmental extension for pets showing my new design; FIG. 2 is a top plan view thereof; FIG. 3 is a front elevational view thereof; FIG. 4 is a right side elevational view thereof; FIG. 5 is a left side elevational view thereof; FIG. 6 is a rear elevational view thereof; FIG. 7 is a bottom plan view thereof; and, FIG. 8 is a perspective shown in use, with the broken line environment being for illustrative purposes only and forming no part of the claimed design.

[56] **References Cited**

U.S. PATENT DOCUMENTS

D. 320,952	10/1991	Lang	D11/145
3,946,522	3/1976	Schifman	47/68
4,445,459	5/1984	Julie	D30/119 X
4,788,934	12/1988	Fetter	D30/119 X
4,881,491	11/1989	Brown	119/51.01
5,782,205	7/1998	Veras	119/484

1 Claim, 5 Drawing Sheets

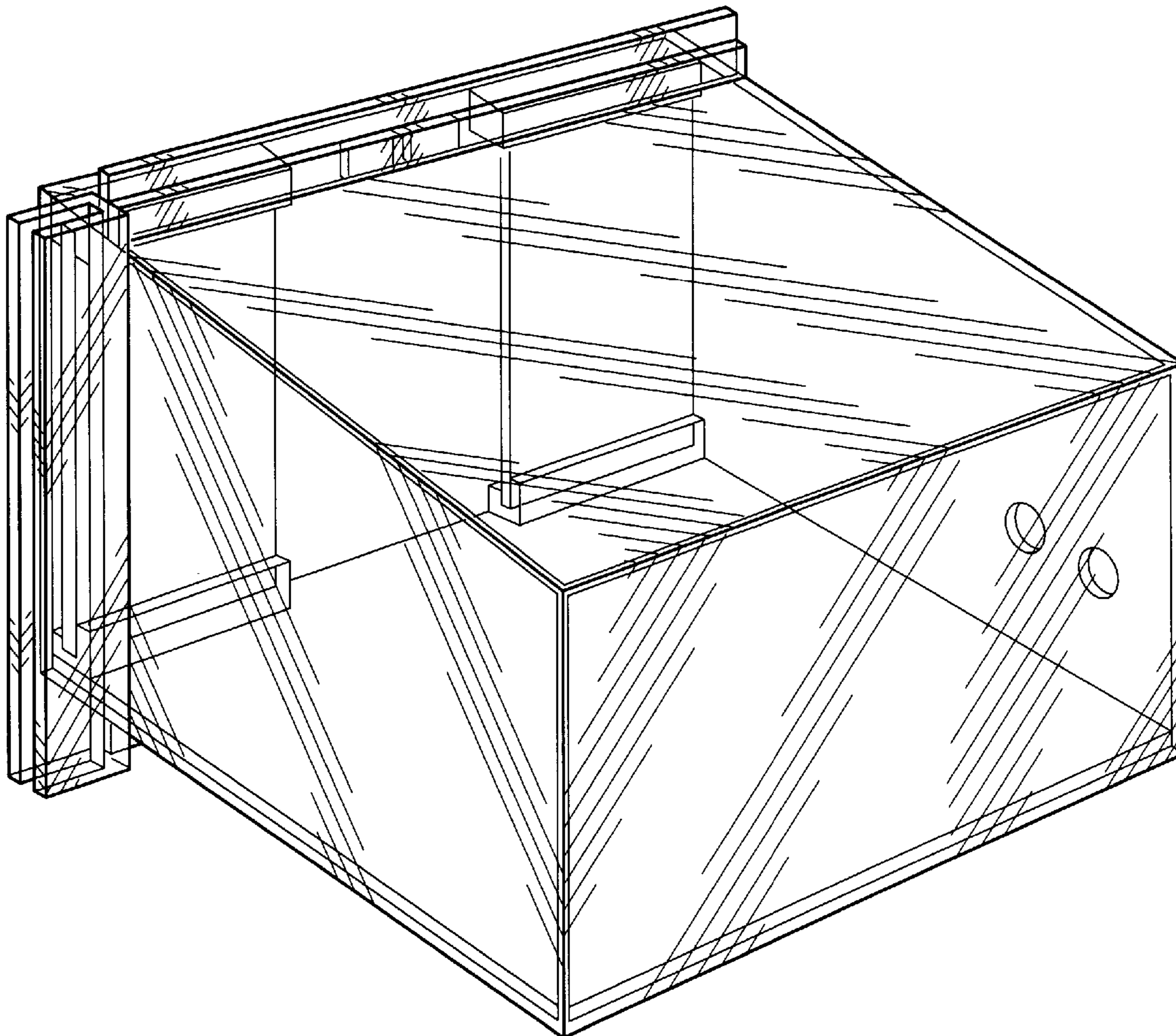


FIG. 1

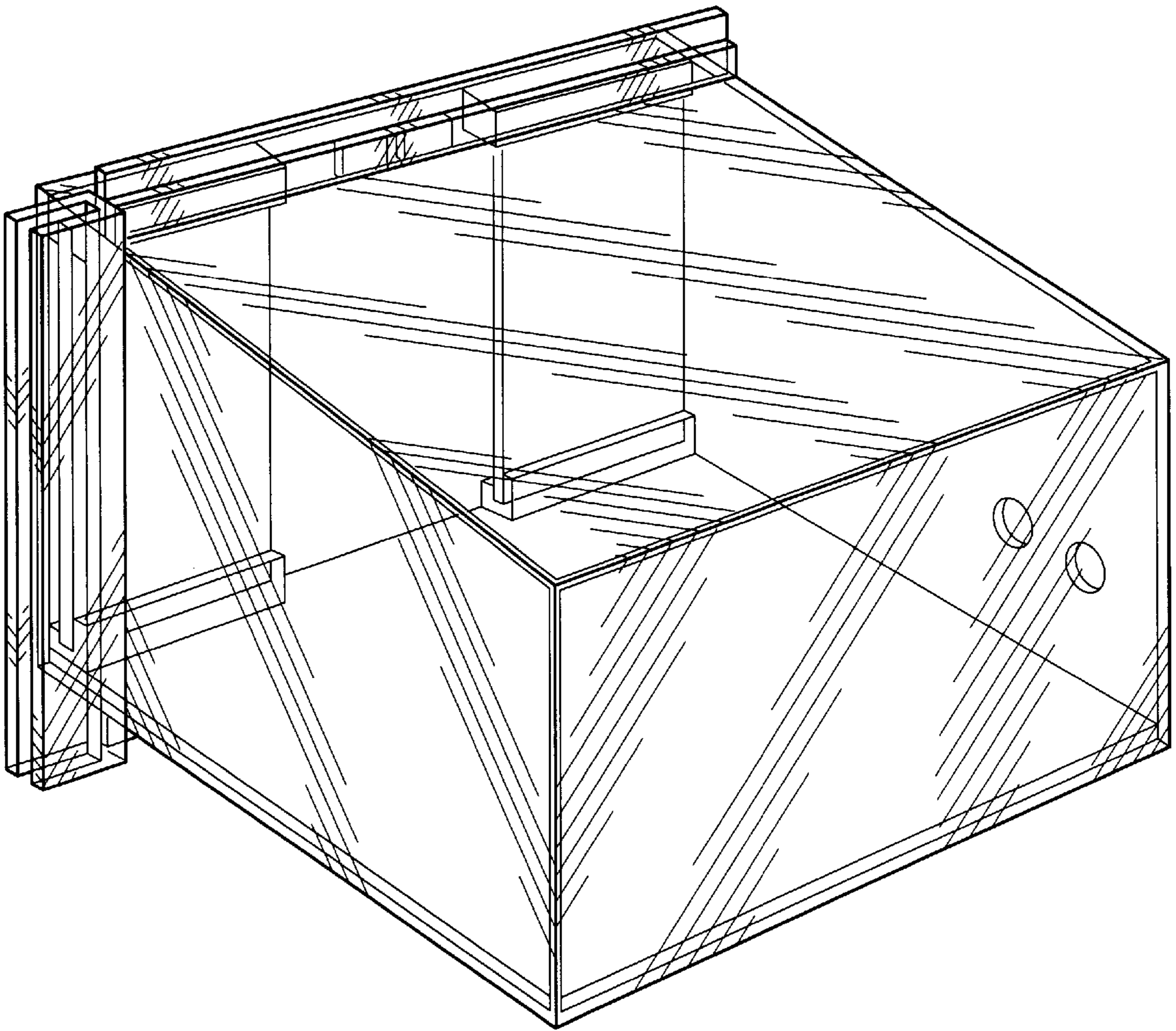


FIG. 2

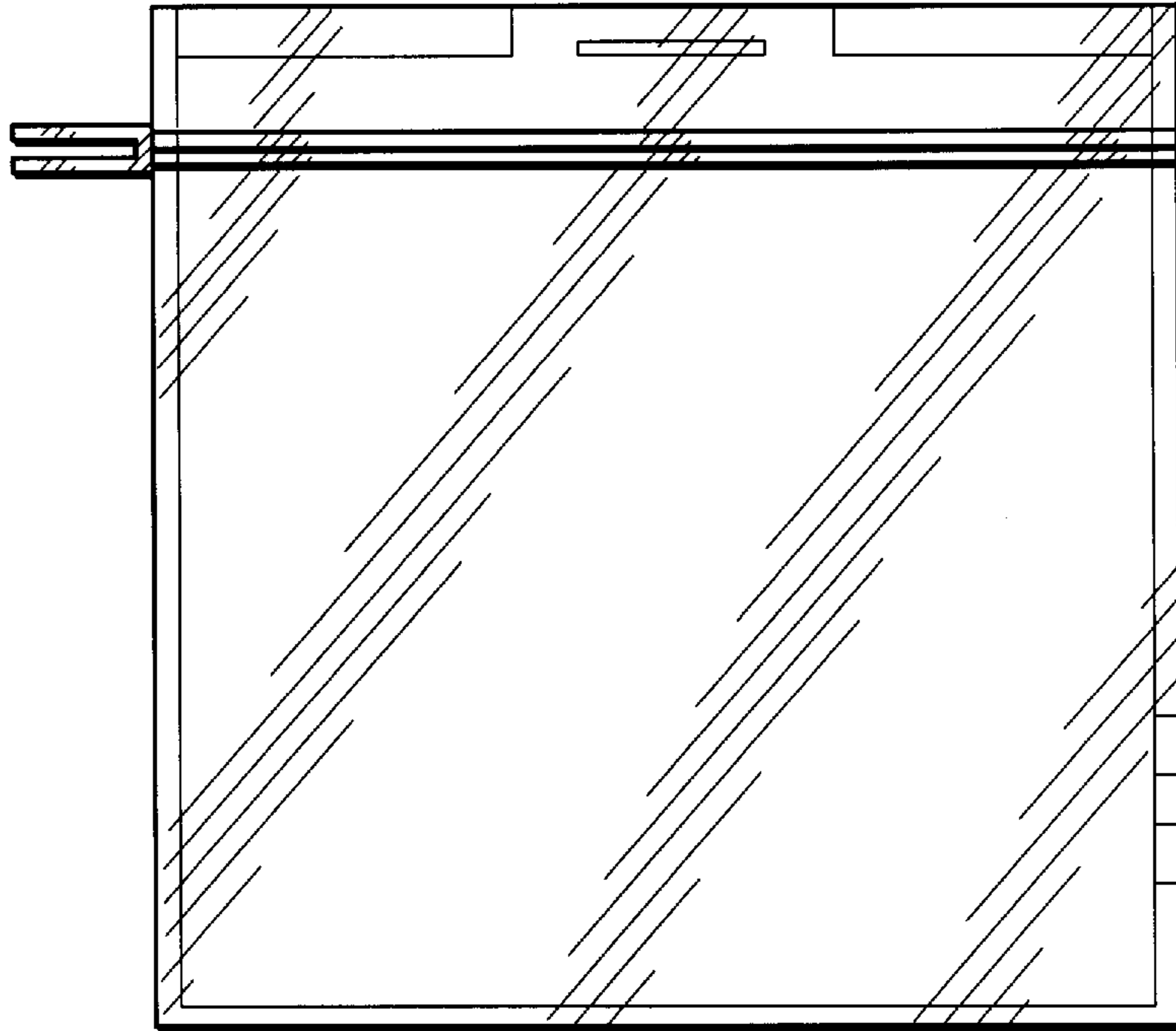


FIG. 3

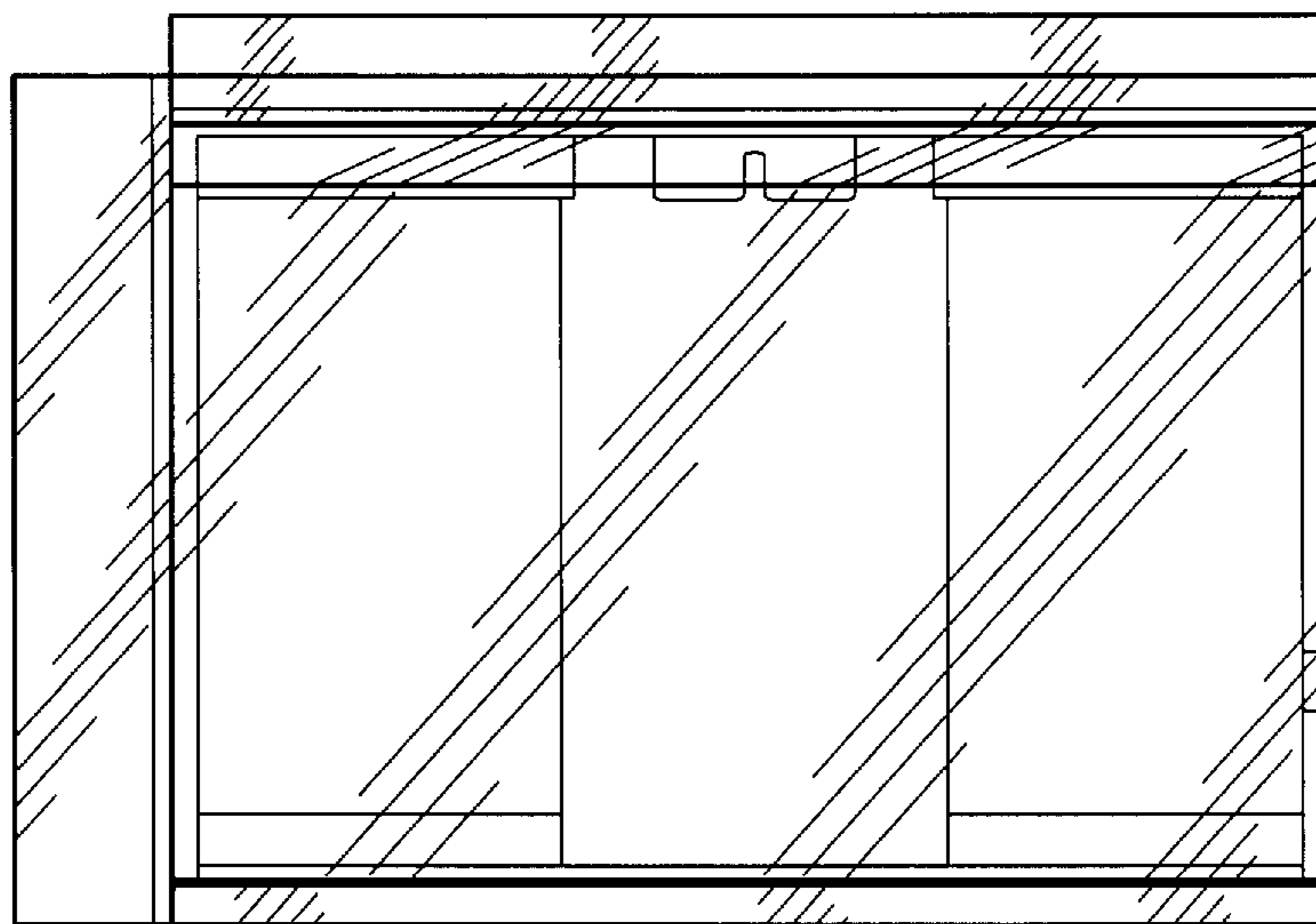


FIG. 4

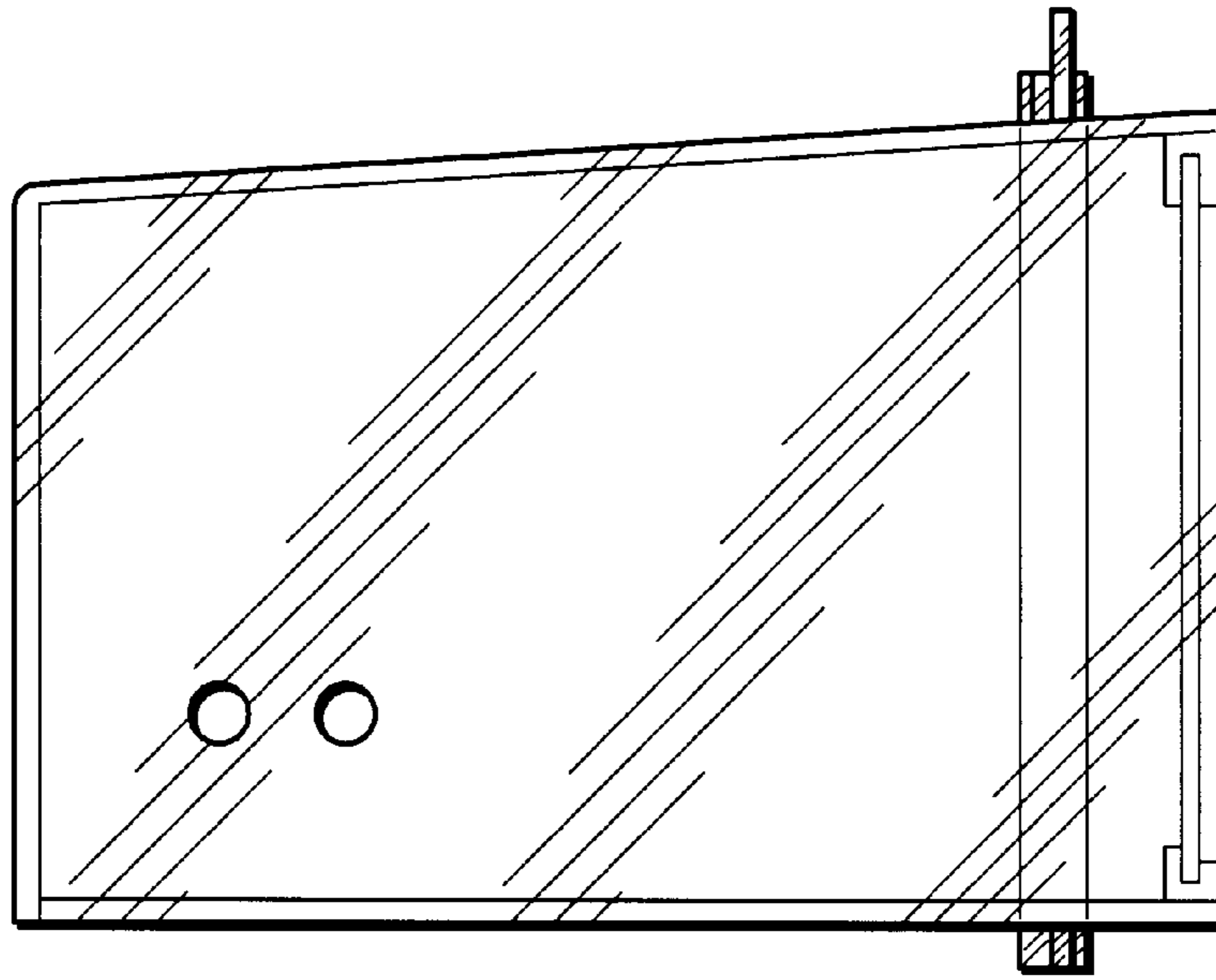


FIG. 5

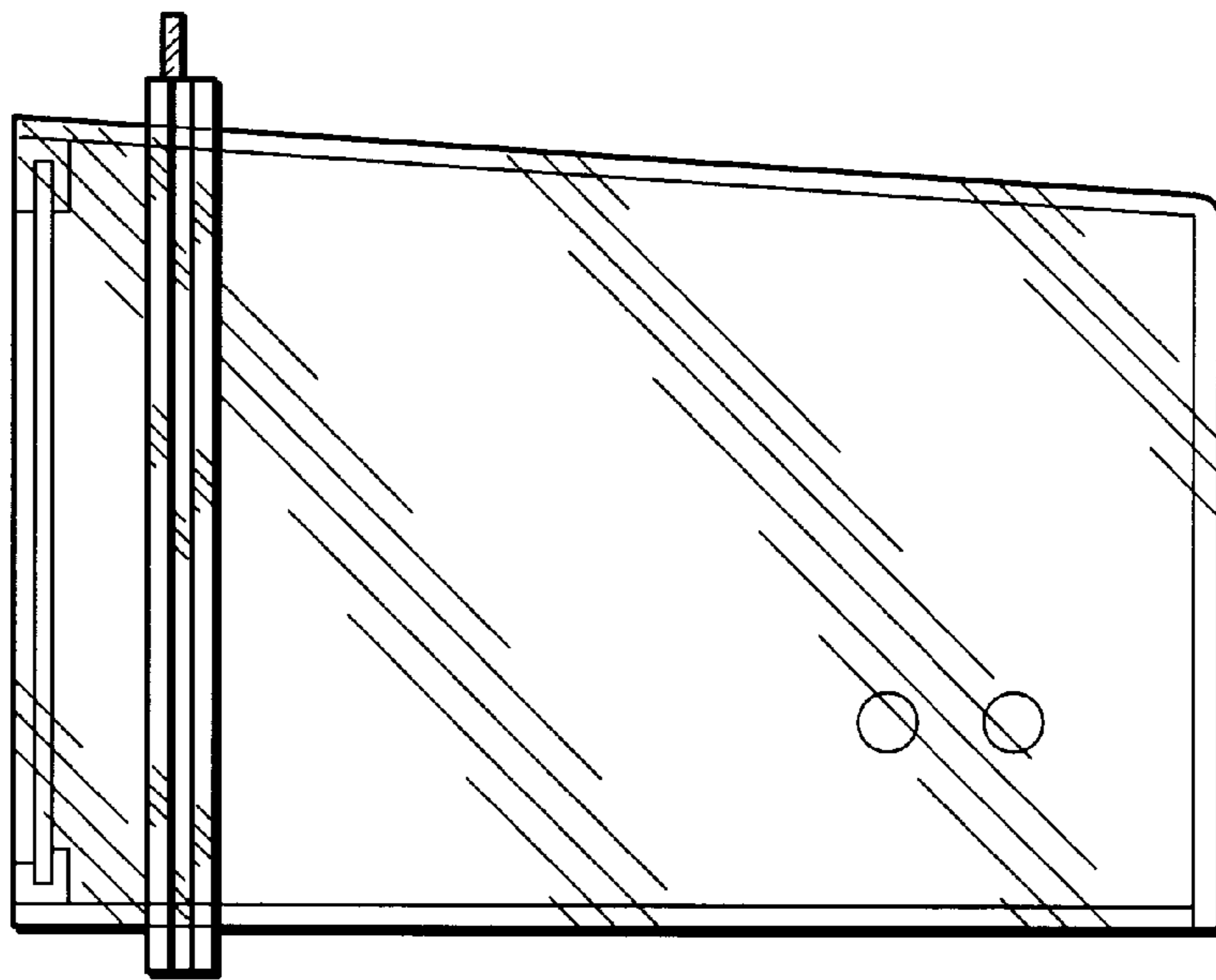


FIG. 6

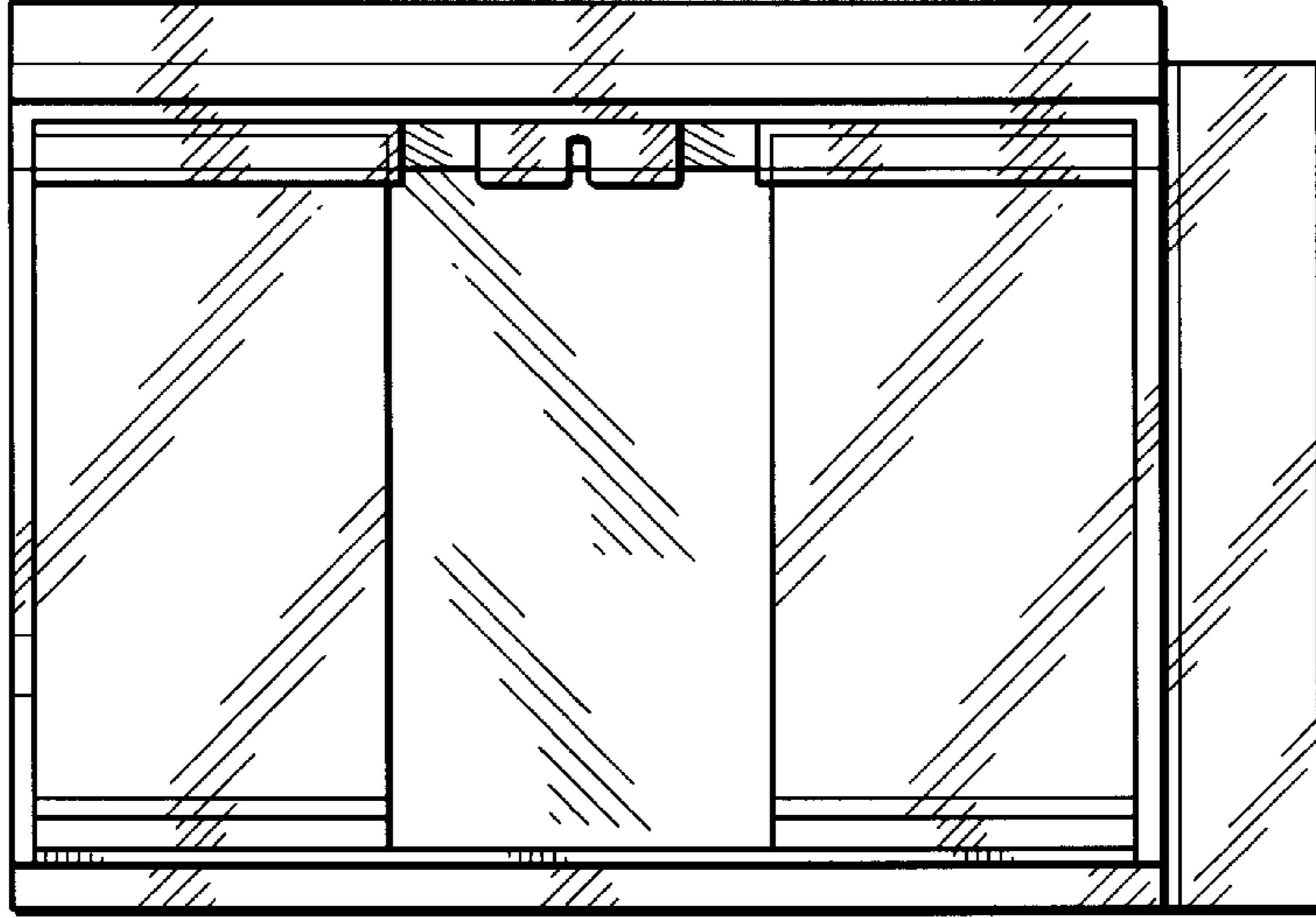
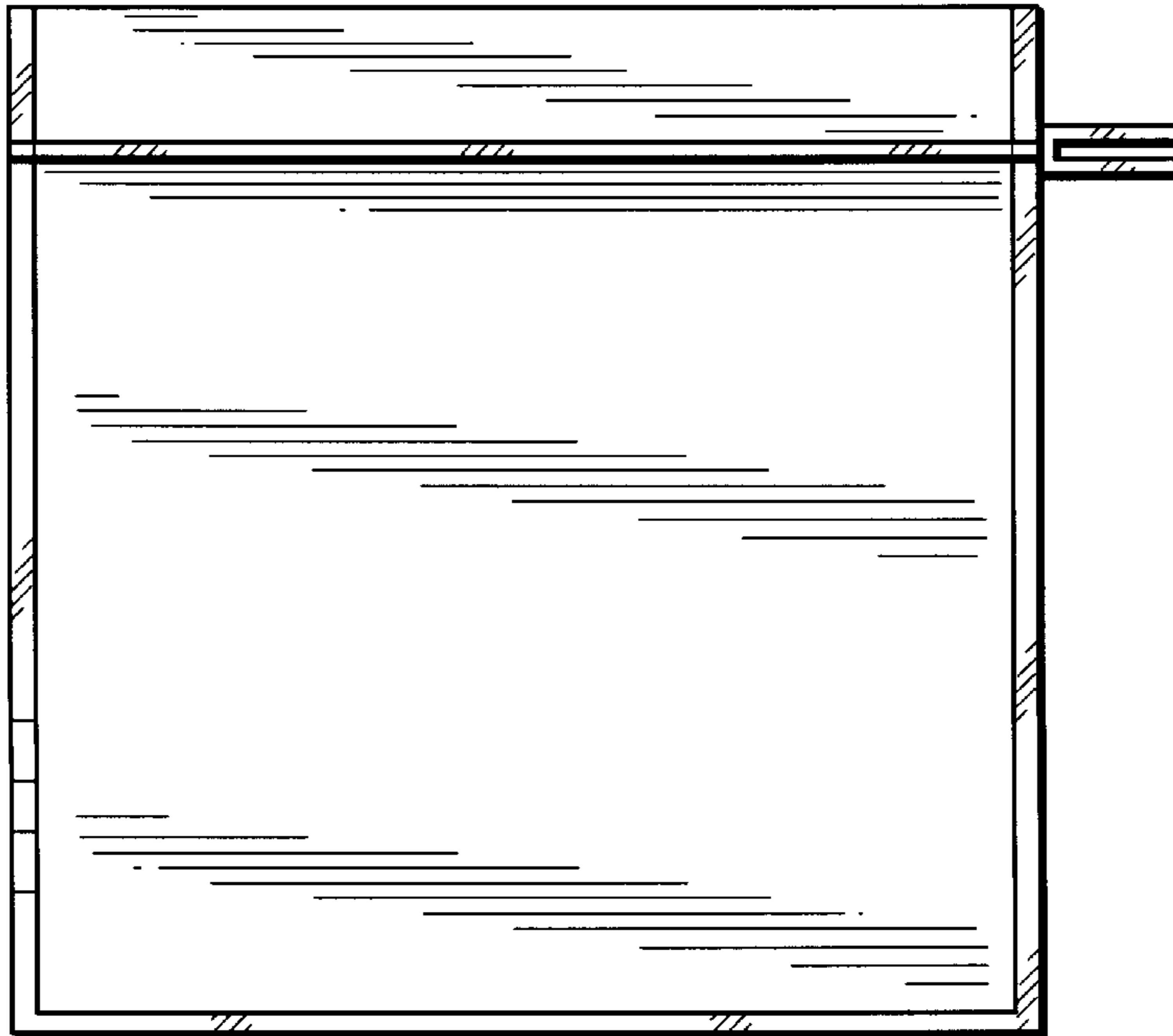


FIG. 7



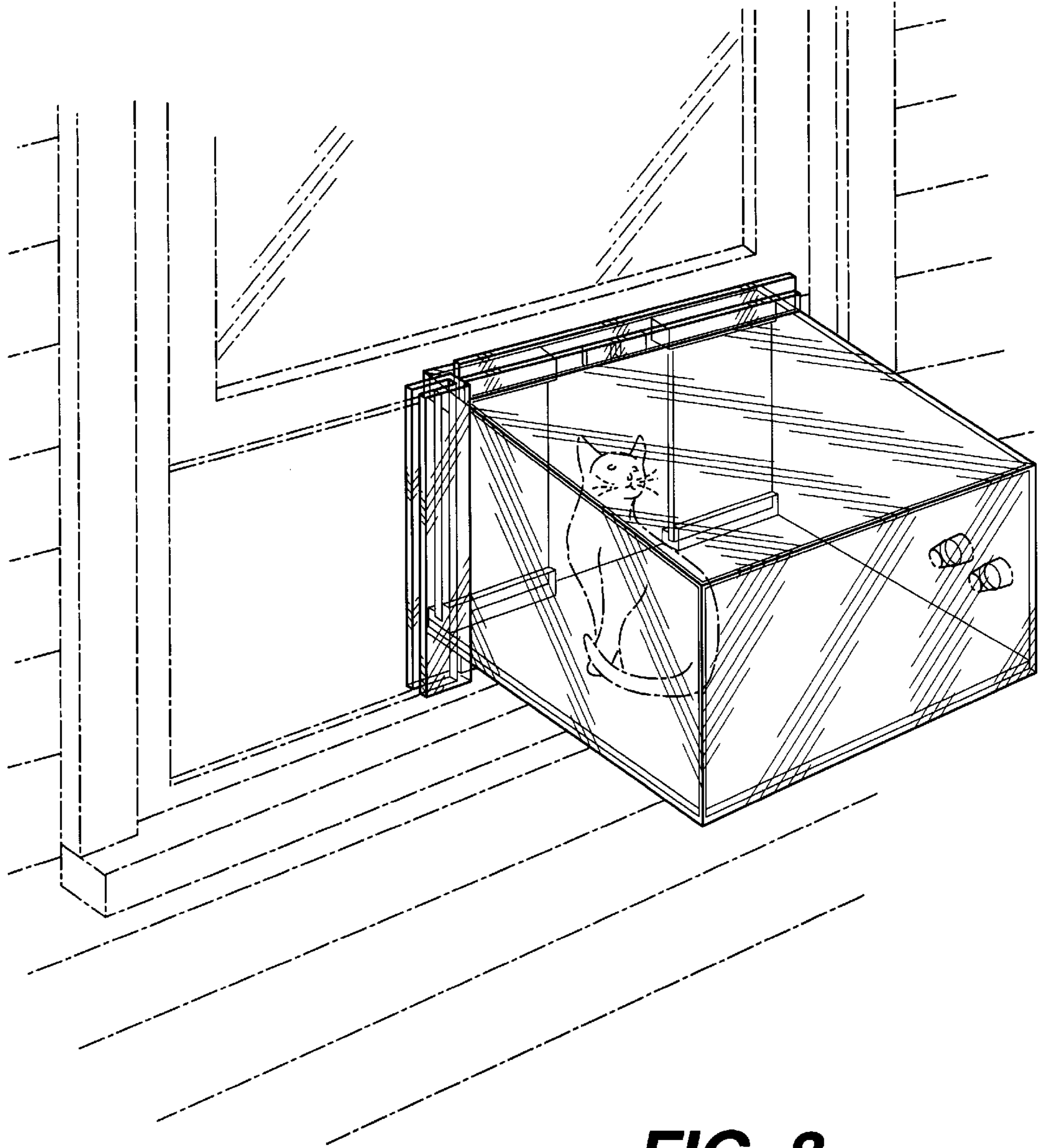


FIG. 8