



US00D424243S

# United States Patent [19] Potter

[11] Patent Number: Des. 424,243

[45] Date of Patent: \*\* May 2, 2000

[54] FLOSS DISPENSER

[75] Inventor: **Howard Robert Stephen Potter**,  
London, United Kingdom

[73] Assignee: **Gillette Canada Inc.**, Kirkland, Canada

[\*\*] Term: **14 Years**

[21] Appl. No.: **29/091,622**

[22] Filed: **Aug. 3, 1998**

[51] LOC (7) Cl. .... **28-03**

[52] U.S. Cl. .... **D28/66**

[58] Field of Search ..... D28/65-68; D6/527,  
D6/528, 542, 545; D9/419; 132/321-329;  
206/63.5; 225/6, 34, 37-39, 42, 49-51,  
53, 77, 80-82, 90; 242/137, 137.1, 129.5,  
129.8

[56] **References Cited**

### U.S. PATENT DOCUMENTS

D. 176,090	11/1955	Zackhelm et al. .	
D. 192,007	1/1962	Gershen .	
D. 204,594	5/1966	Yerkovich et al. ....	D6/545
D. 257,402	10/1980	Denton et al. .	
D. 293,491	12/1987	Fronske .....	D28/66
D. 324,619	3/1992	Comstock et al. ....	D6/544
D. 366,537	1/1996	Johnsen et al. .	

D. 371,223	6/1996	Van Helteren .	
D. 374,310	10/1996	Yates, III .	
1,512,633	10/1924	Peckham .	
2,381,530	8/1945	Dembenski .	
2,967,651	1/1961	Zackheim et al. ....	225/80
4,330,014	5/1982	Glass et al. ....	132/321
5,054,674	10/1991	Fortman .....	225/6
5,160,077	11/1992	Sticklin .....	225/38
5,299,723	4/1994	Hempel .....	225/38
5,638,840	6/1997	Lee et al. ....	132/310
5,826,594	10/1998	Sokal .....	132/321 X

*Primary Examiner*—Ted Shooman

*Assistant Examiner*—C Tuttle

*Attorney, Agent, or Firm*—David A. Howley

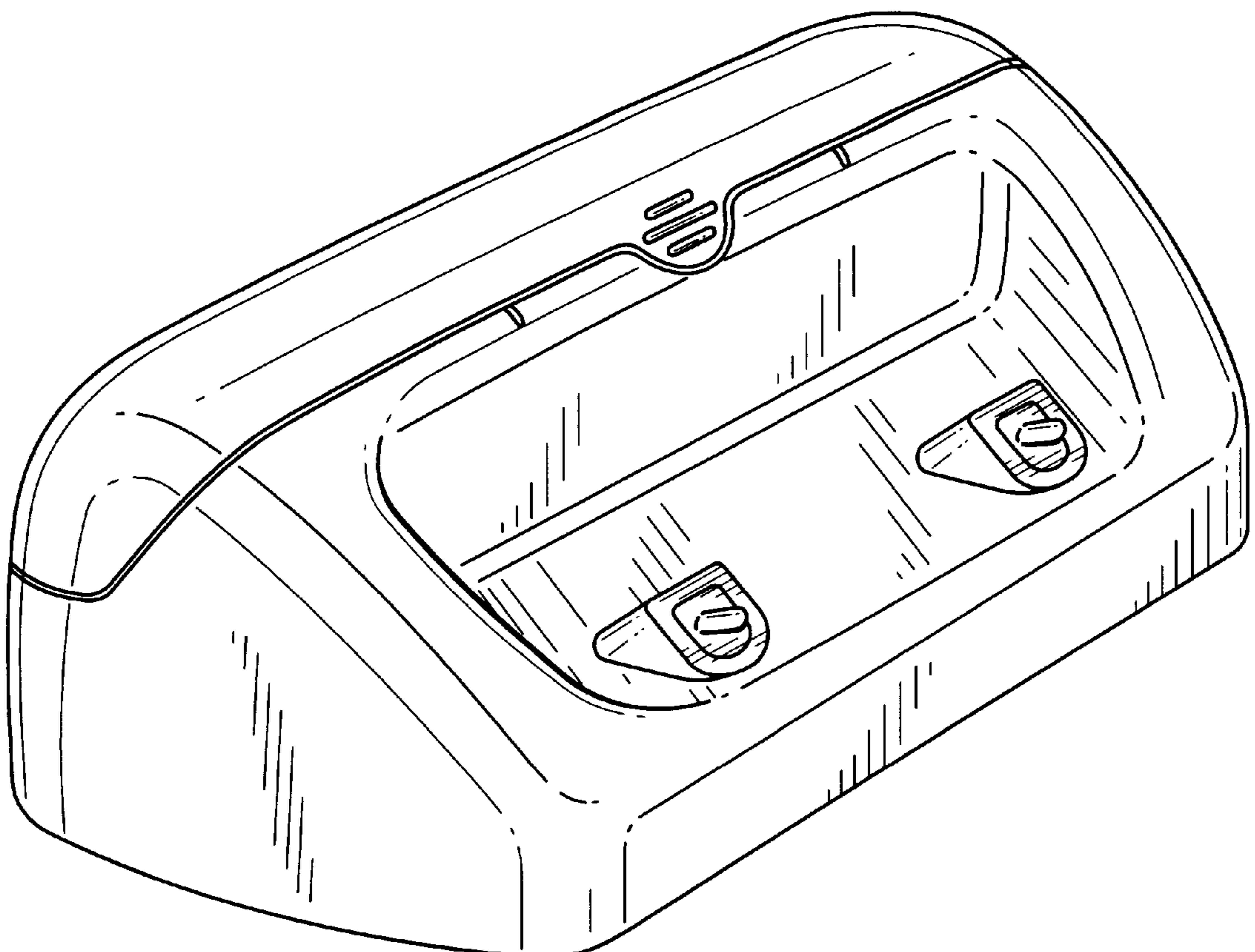
[57] **CLAIM**

The ornamental design for a floss dispenser, as shown and described.

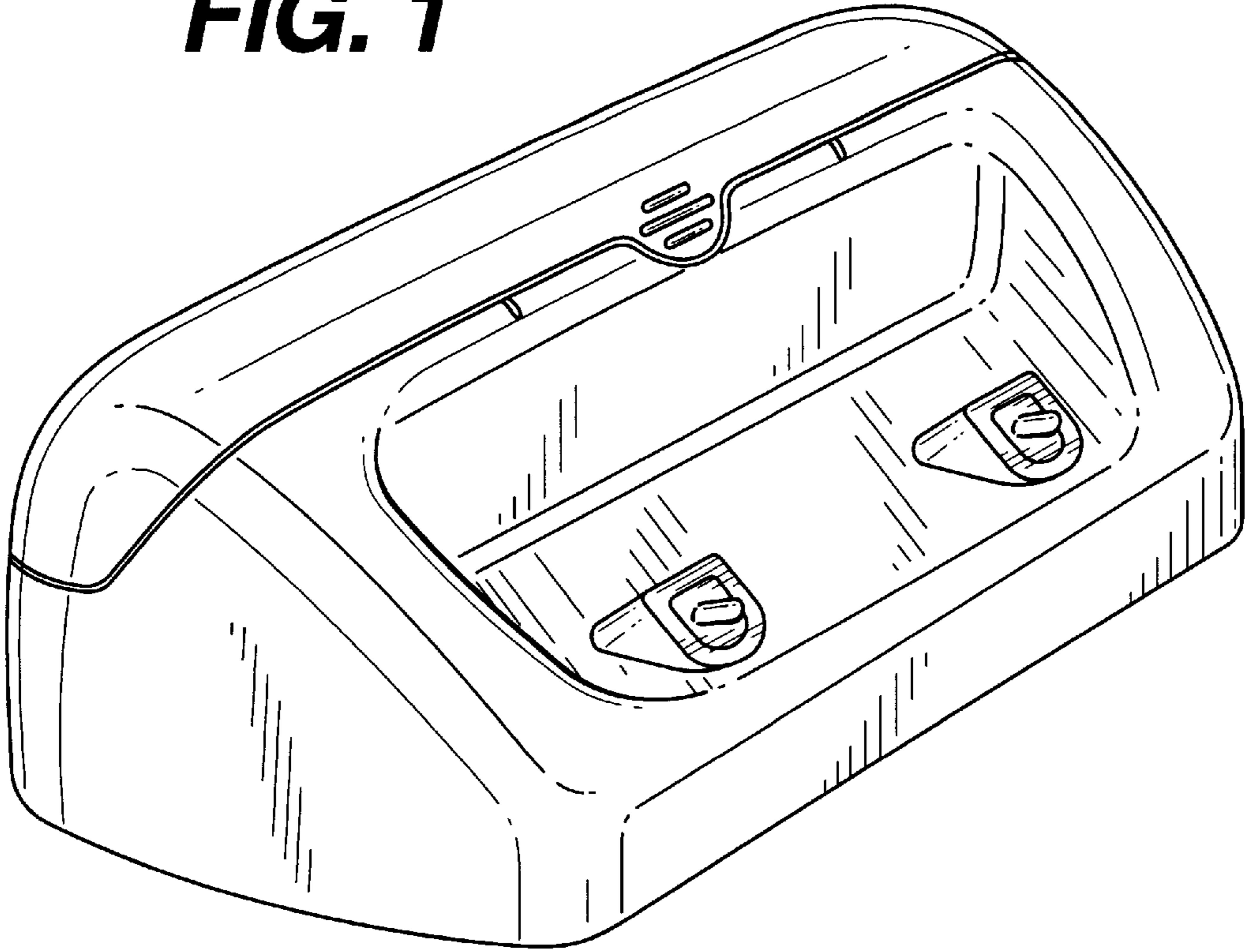
### DESCRIPTION

FIG. 1 is a perspective view as seen from the top, front and left side of a floss dispenser showing my new design; FIG. 2 is a top plan view thereof; FIG. 3 is a front elevational view thereof; FIG. 4 is a left side elevational view thereof, the right side elevation being a mirror image thereof; FIG. 5 is a rear elevational view thereof; and, FIG. 6 is a bottom plan view thereof.

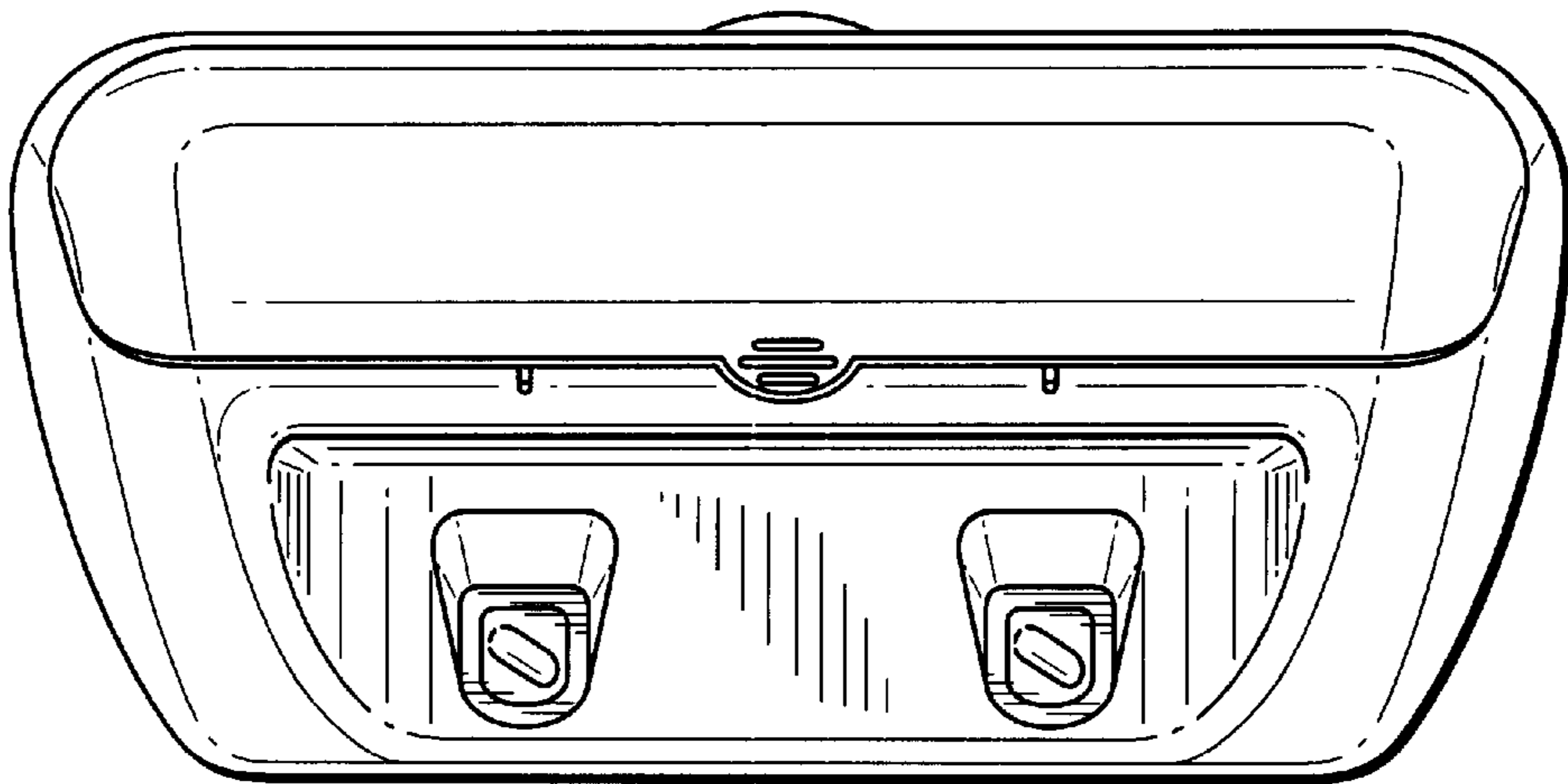
**1 Claim, 3 Drawing Sheets**



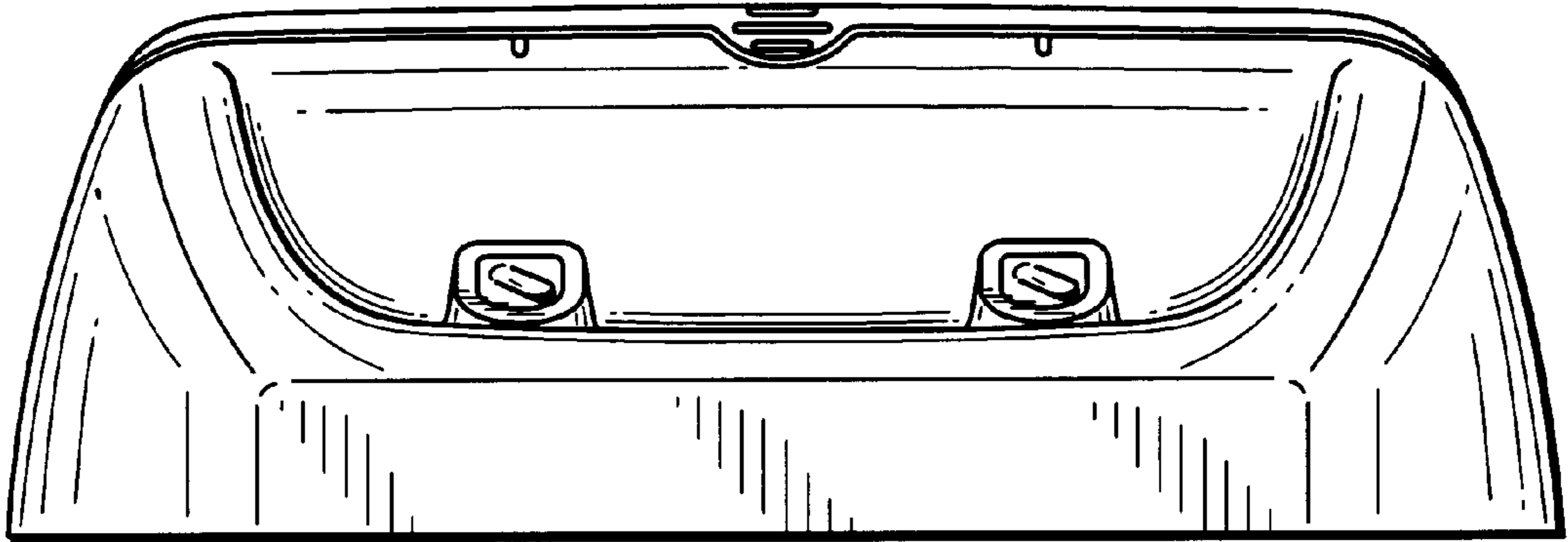
**FIG. 1**



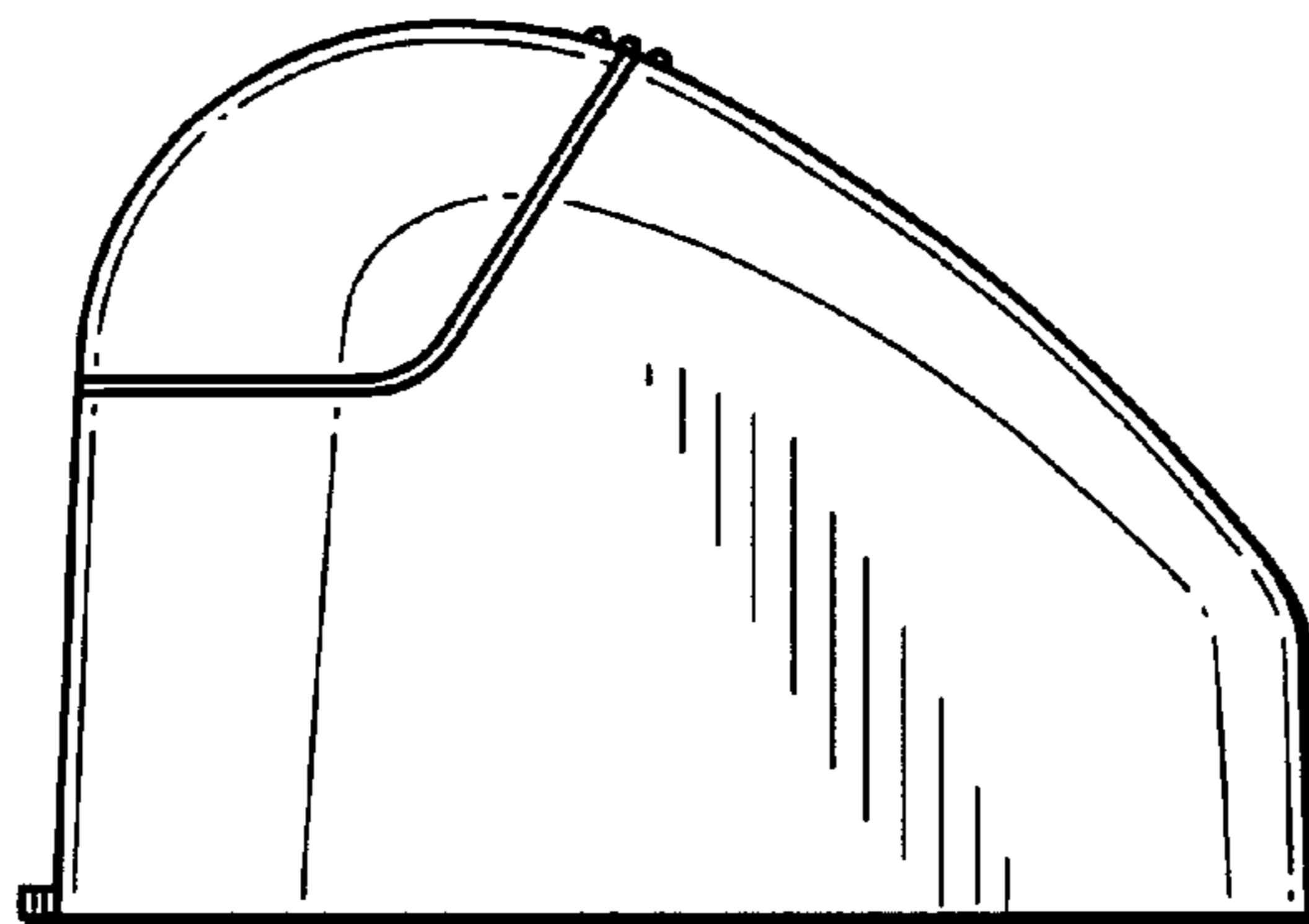
**FIG. 2**



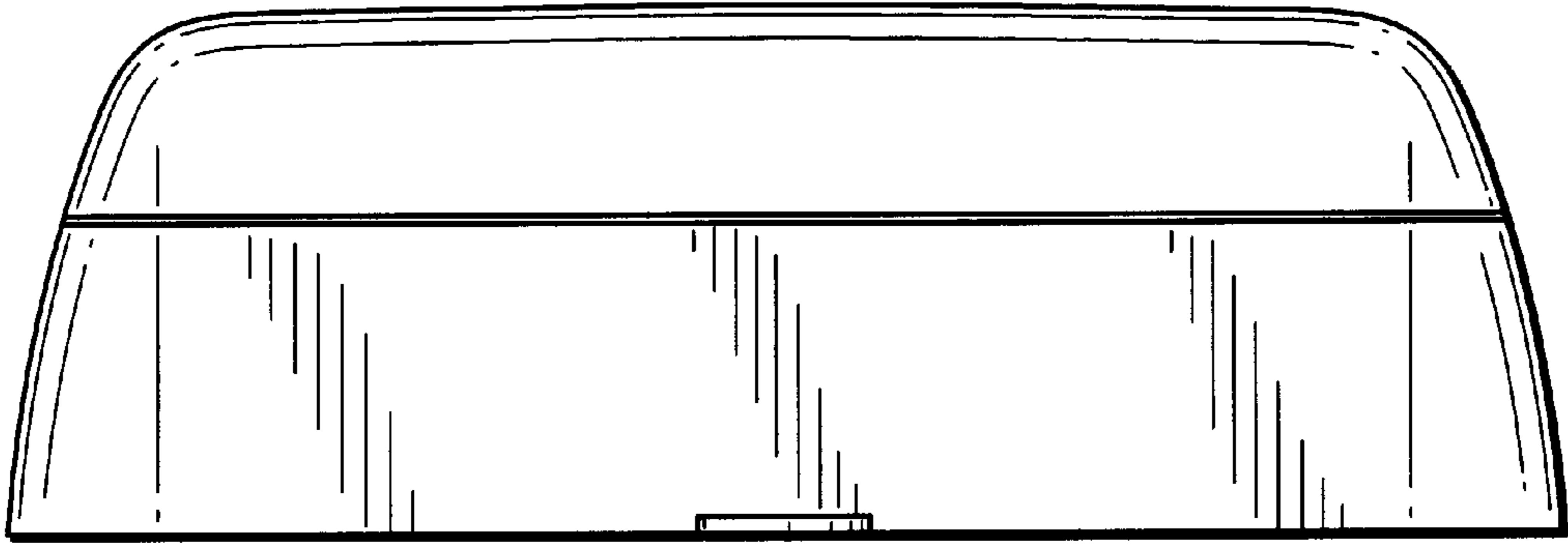
**FIG. 3**



**FIG. 4**



**FIG. 5**



**FIG. 6**

