



US00D424241S

# United States Patent [19] Wang

[11] Patent Number: **Des. 424,241**

[45] Date of Patent: **\*\* May 2, 2000**

[54] **SHAVER**

[76] Inventor: **Yuh-Yun Wang**, No. 6, Tung-Shi Lane,  
Jong-Shan Village, Waipu Shiang,  
Taichung Hsien, Taiwan

[\*\*] Term: **14 Years**

[21] Appl. No.: **29/094,100**

[22] Filed: **Sep. 25, 1998**

[51] **LOC (7) Cl.** ..... **28-03**

[52] **U.S. Cl.** ..... **D28/50**

[58] **Field of Search** ..... D28/49-53; 30/34.05,  
30/34.1, 34.2, 42, 43.1-43.9, 43.91, 43.92,  
44, 45

[56] **References Cited**

**U.S. PATENT DOCUMENTS**

D. 187,590	4/1960	Veersema	.....	D28/50
D. 213,165	1/1969	Boldt	.....	D28/49
D. 220,374	3/1971	Ono et al.	.....	D28/50
D. 239,144	3/1976	Van Lelyveld	.....	D28/50
D. 255,166	5/1980	Ayukawa et al.	.....	D28/50
D. 271,814	12/1983	Takagi et al.	.....	D28/50
3,077,663	2/1963	Tann	.....	30/34.05
3,116,551	1/1964	Anton	.....	30/43.6
3,141,240	7/1964	Gwinn	.....	30/43
3,220,108	11/1965	MacCarthy	.....	30/34.2
3,921,270	11/1975	Upton	.....	30/43.3

**FOREIGN PATENT DOCUMENTS**

494677	5/1954	Italy	.....	30/34.05
612008	11/1960	Italy	.....	30/34.1
87387	3/1956	Norway	.....	30/43.6

**OTHER PUBLICATIONS**

Philishave 1939-1979 Historical Review; item Nos. KL 2400, SC 7737, SC 7743 and the item above No. '7743, Jun. 1979.

*Primary Examiner*—Ted Shooman

*Assistant Examiner*—C Tuttle

*Attorney, Agent, or Firm*—Browdy and Neimark

[57] **CLAIM**

The ornamental design for a shaver, as shown and described.

**DESCRIPTION**

FIG. 1 is a front perspective view of a shaver showing my new design;

FIG. 2 is a front elevational view thereof;

FIG. 3 is a rear elevational view thereof;

FIG. 4 is a left side elevational view thereof;

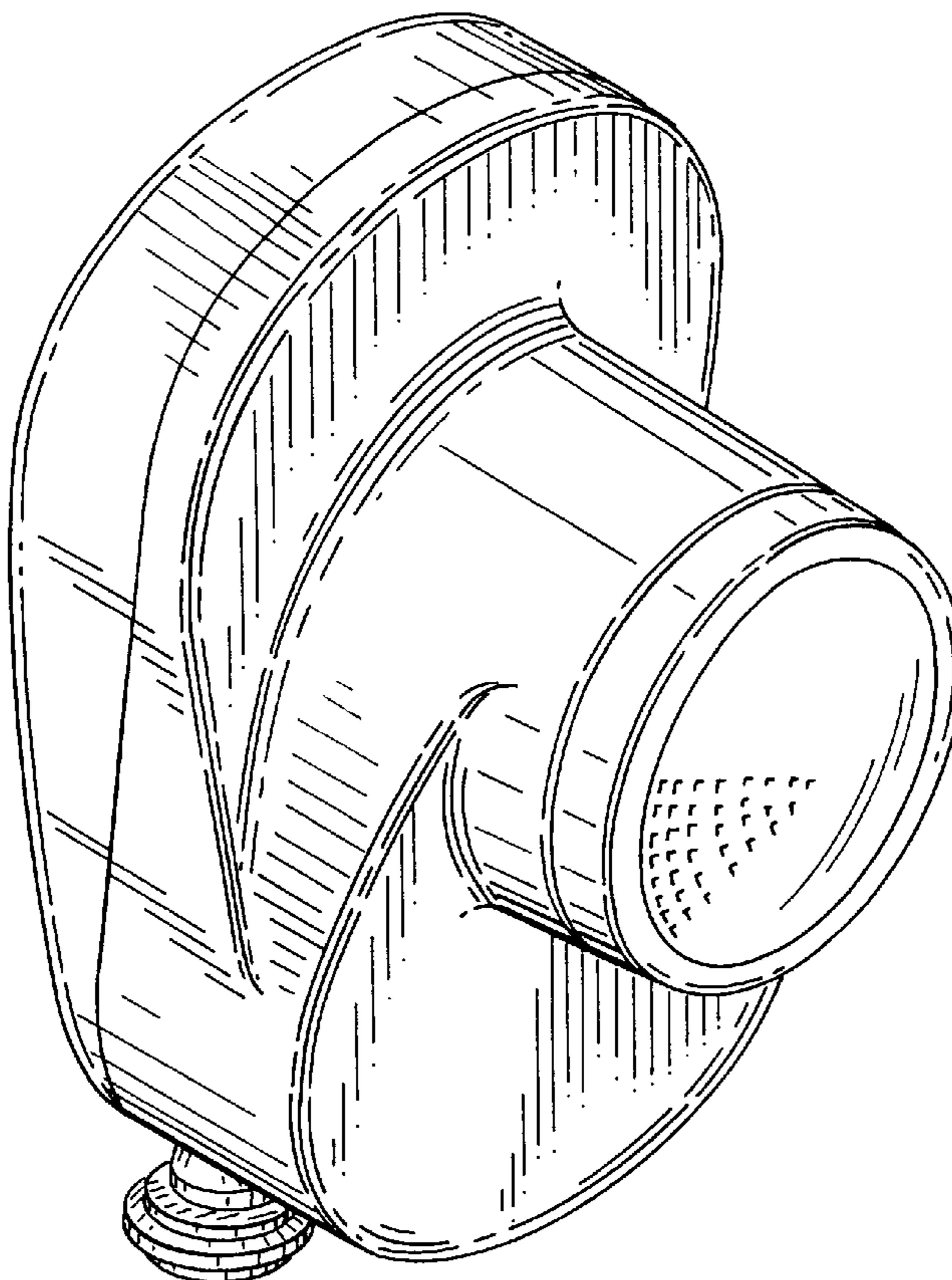
FIG. 5 is a right side elevational view thereof;

FIG. 6 is a top plan view thereof; and,

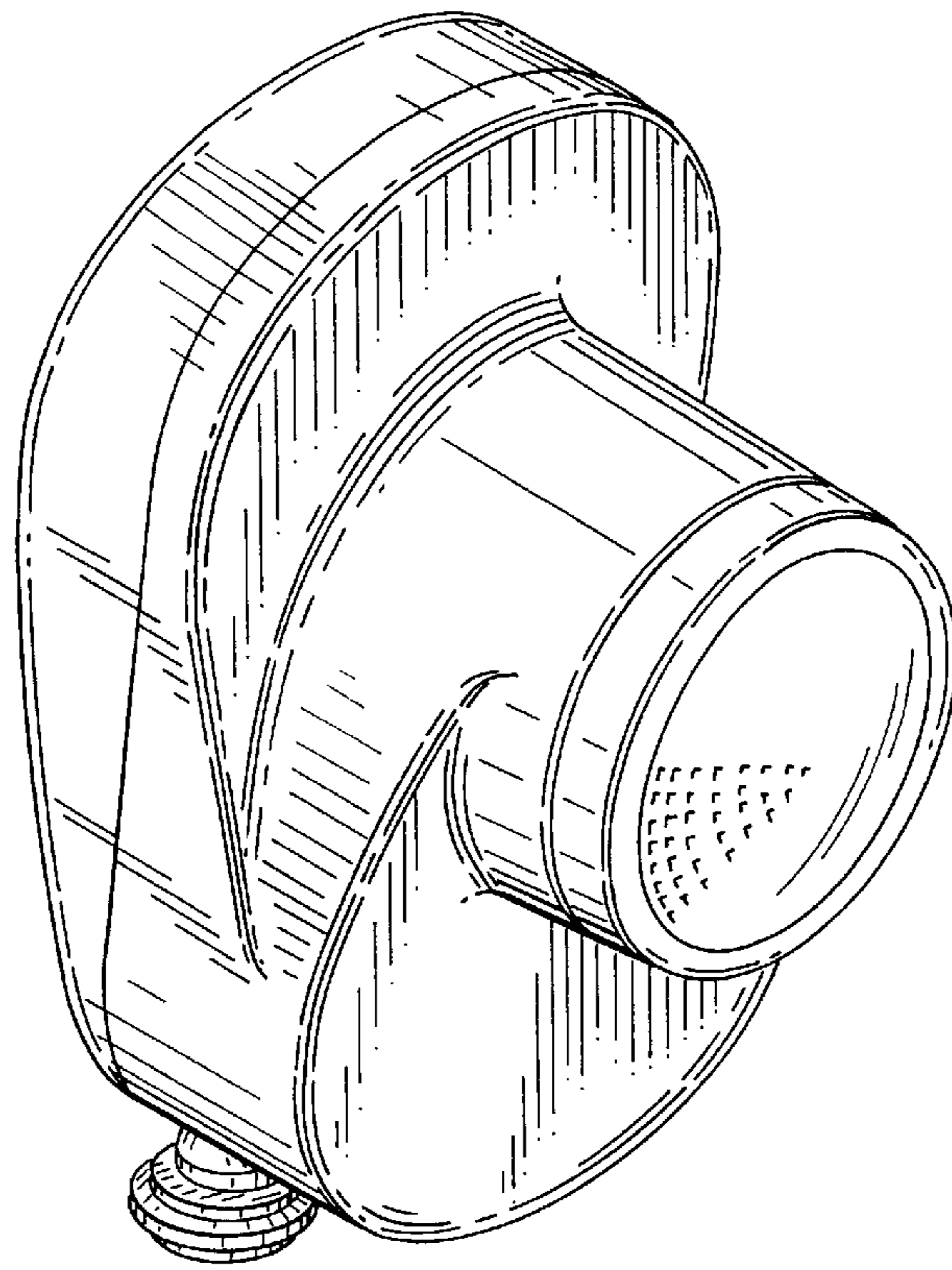
FIG. 7 is a bottom plan view thereof.

The partially illustrated foil pattern is understood to continue throughout the surface bounded by the inner circle of the front end.

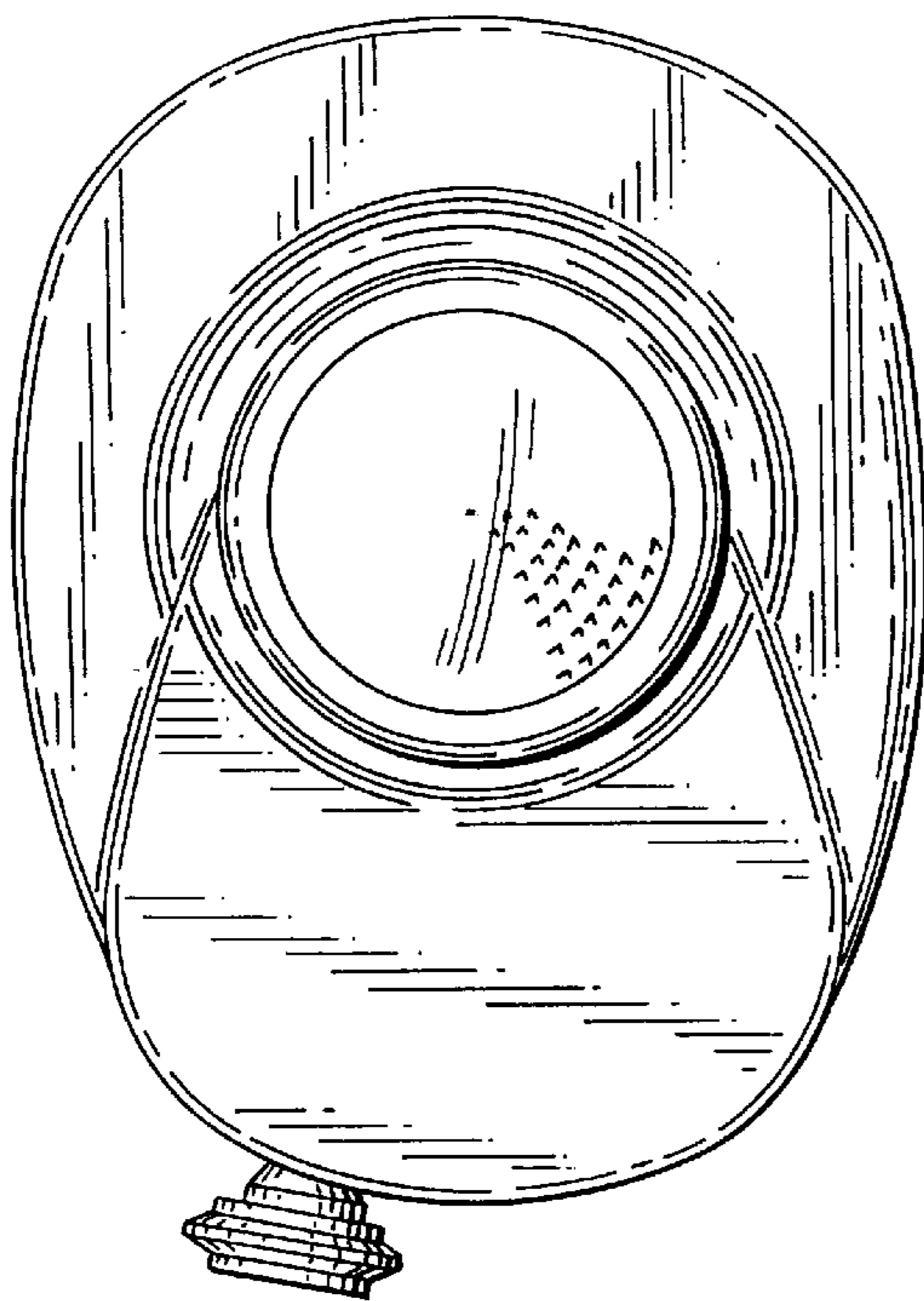
**1 Claim, 2 Drawing Sheets**



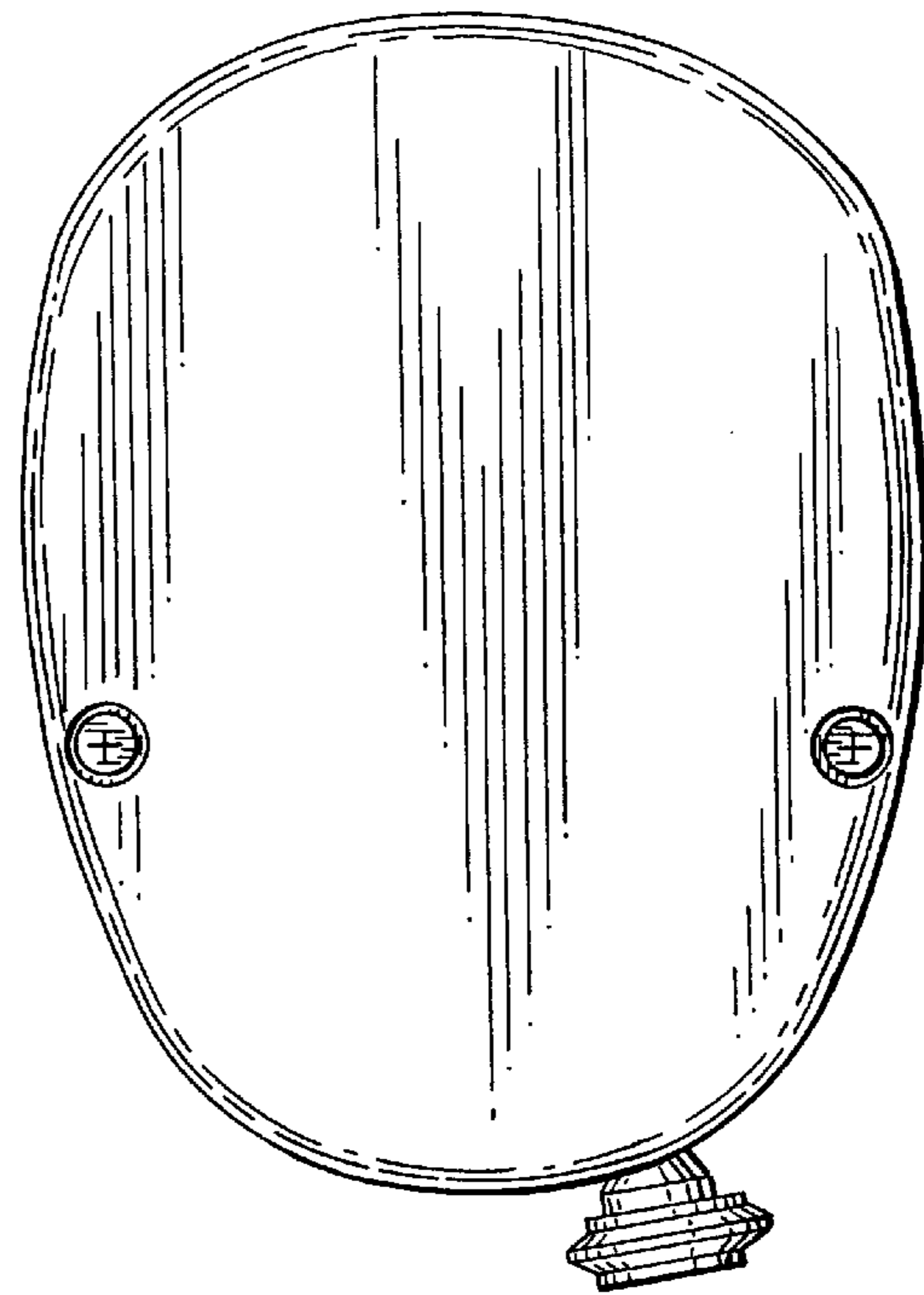
*FIG. 1*



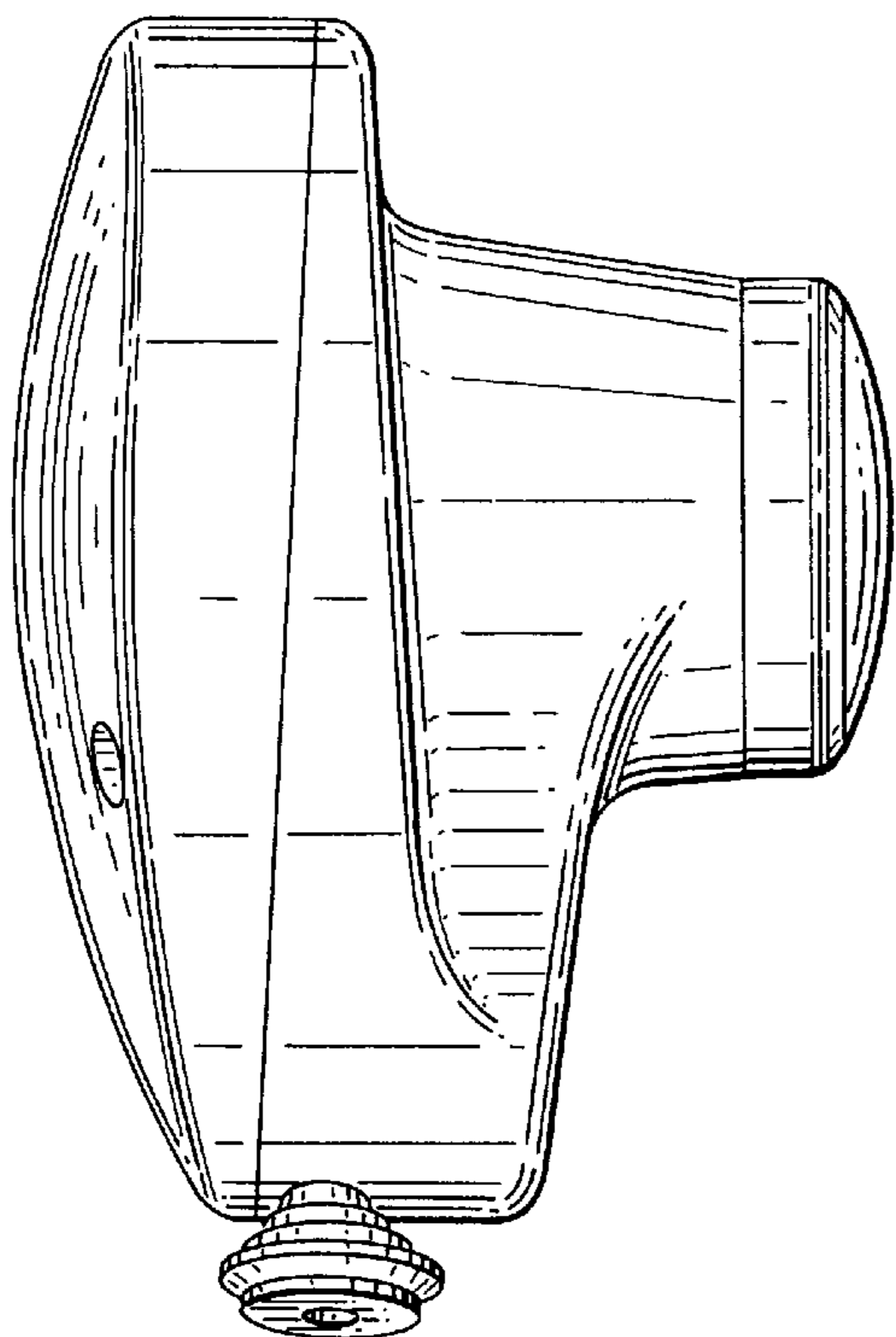
*FIG. 2*



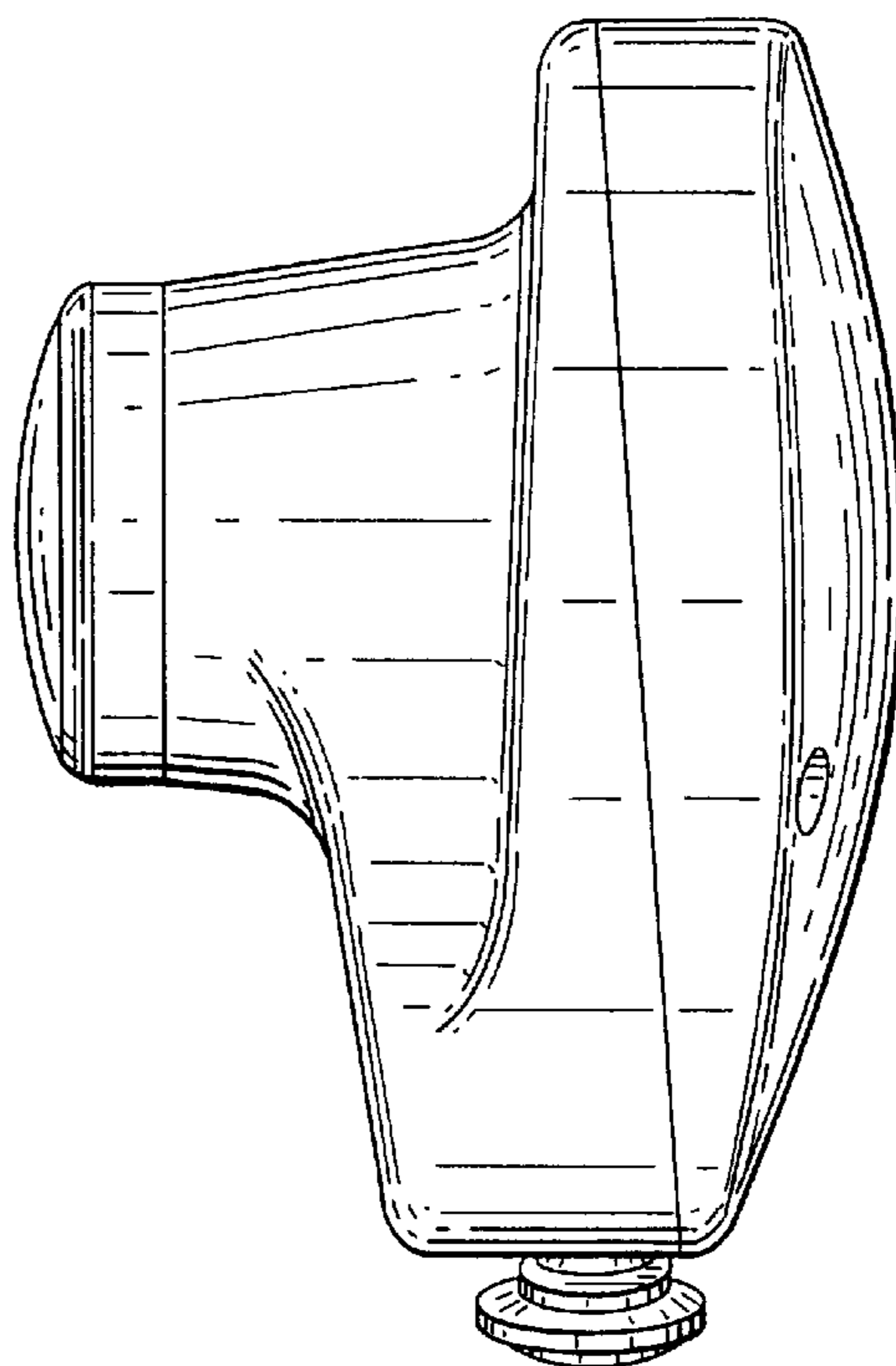
*FIG. 3*



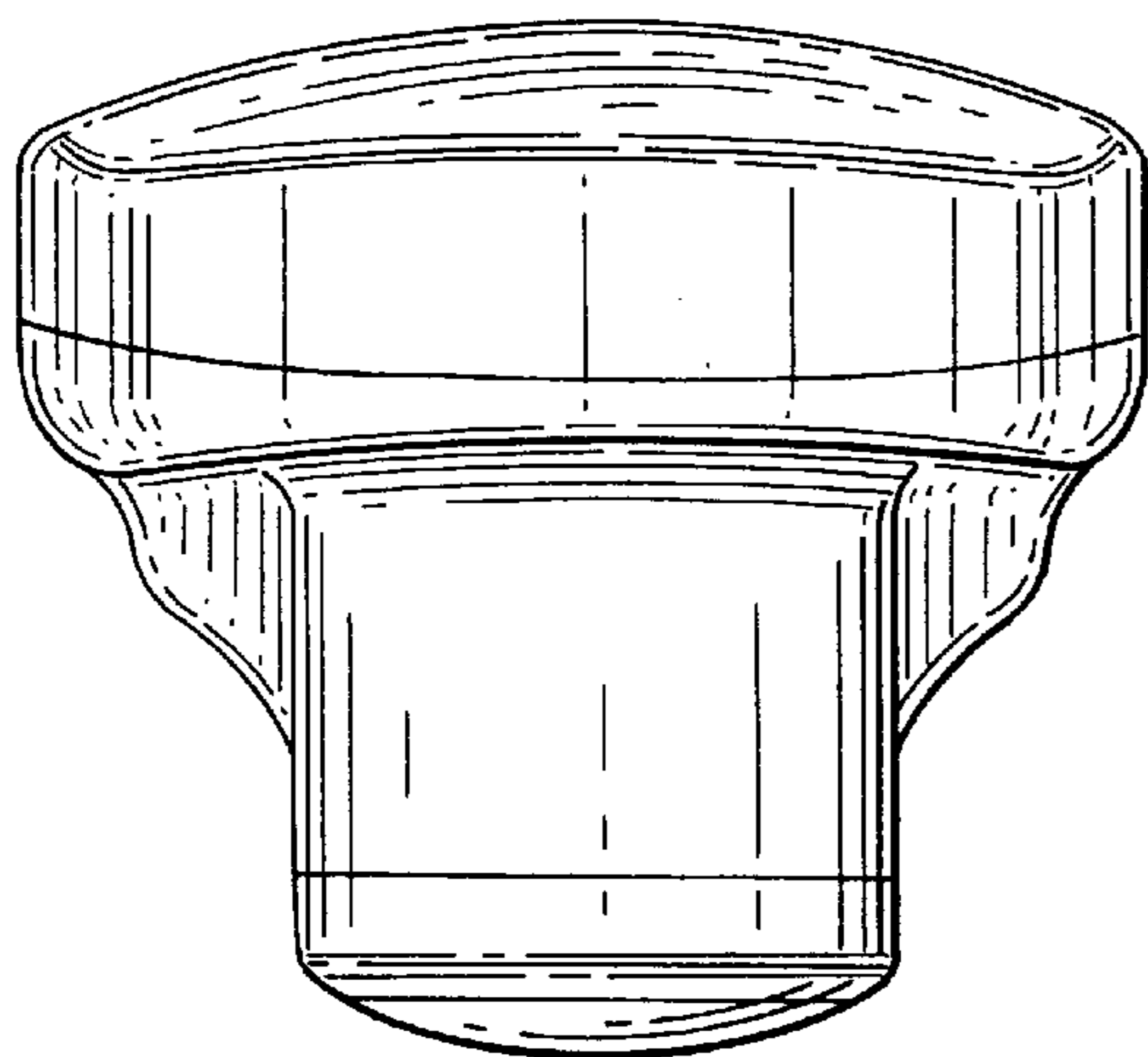
*FIG. 4*



*FIG. 5*



*FIG. 6*



*FIG. 7*

