



US00D424240S

United States Patent [19] Ton

[11] **Patent Number: Des. 424,240**

[45] **Date of Patent: ** May 2, 2000**

[54] **PEN-LIKE LOOSE HAIR CURLING ROLLER**

[76] Inventor: **Steven Ton**, No. 30, Heng Shan, San Ping Tsun, Nei Men Hsiang, Kaohsiung Hsien, Taiwan

[**] Term: **14 Years**

[21] Appl. No.: **29/092,467**

[22] Filed: **Aug. 20, 1998**

[51] **LOC (7) Cl. 28-03**

[52] **U.S. Cl. D28/37**

[58] **Field of Search D28/35, 37; 132/223-269**

[56] **References Cited**

U.S. PATENT DOCUMENTS

D. 121,082	6/1940	Schlesinger	D28/35
2,189,505	2/1940	Laos	132/258
2,788,788	4/1957	Solomon	132/245
3,221,753	12/1965	Zielinski	132/254

FOREIGN PATENT DOCUMENTS

622674	10/1962	Belgium	132/245
--------	---------	---------	-------	---------

047677	6/1937	France	132/242
825413	3/1938	France	132/245
1010898	6/1952	France	132/250
3347355	7/1985	Germany	219/222
6292610	10/1994	Japan	132/226
516155	12/1939	United Kingdom	132/249

Primary Examiner—Ted Shooman
Assistant Examiner—C. Tuttle
Attorney, Agent, or Firm—Rosenberg, Klein & Lee

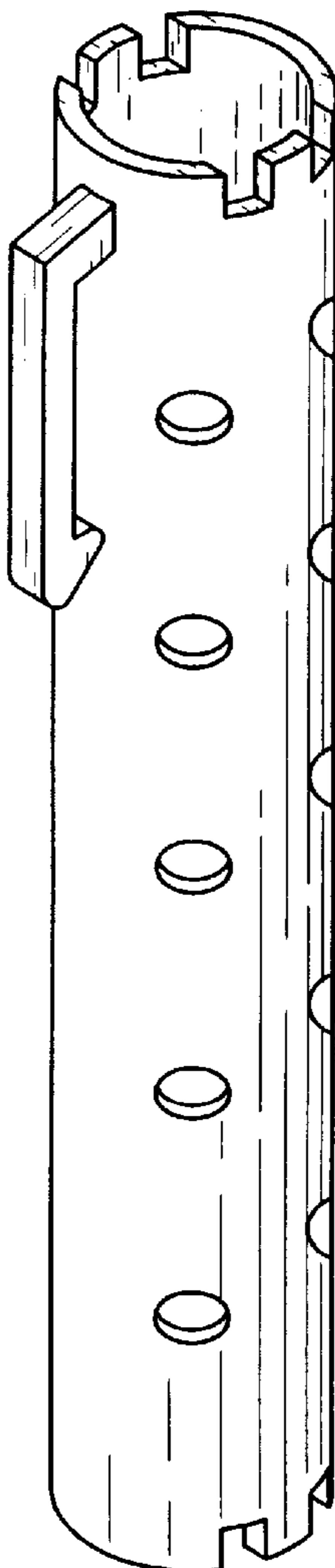
[57] **CLAIM**

The ornamental design for a pen-like loose hair curling roller, as shown.

DESCRIPTION

FIG. 1 is an perspective view of a pen-like loose hair curling roller showing my design;
FIG. 2 is a front elevational view thereof;
FIG. 3 is a rear elevational view thereof;
FIG. 4 is a right elevational view thereof;
FIG. 5 is a left view thereof;
FIG. 6 is a top view thereof; and,
FIG. 7 is a bottom view thereof.

1 Claim, 4 Drawing Sheets



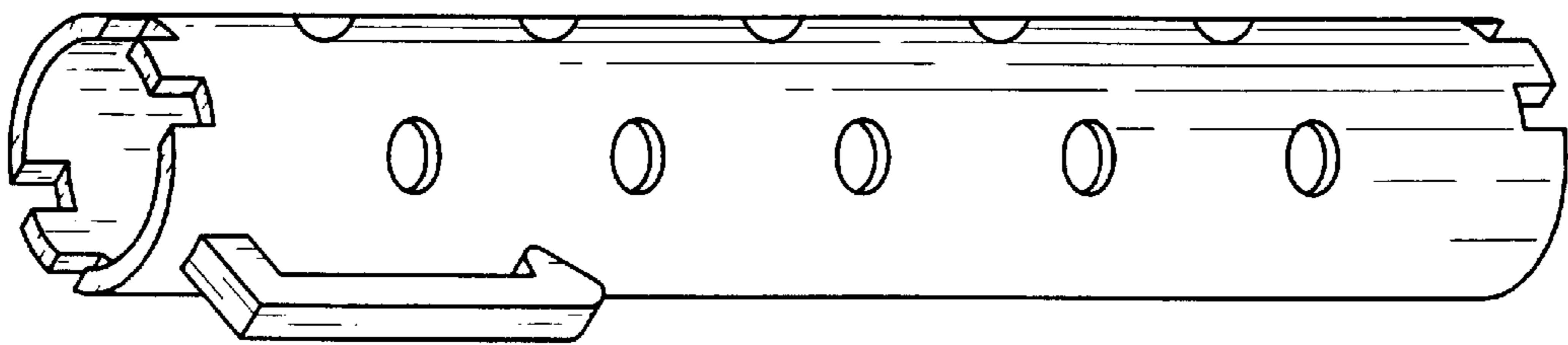


FIG. 1

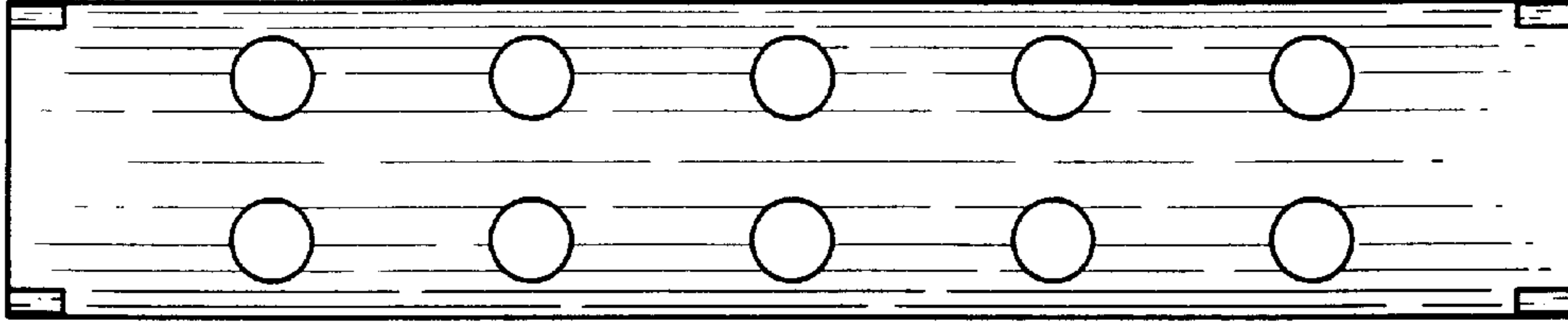


FIG. 3

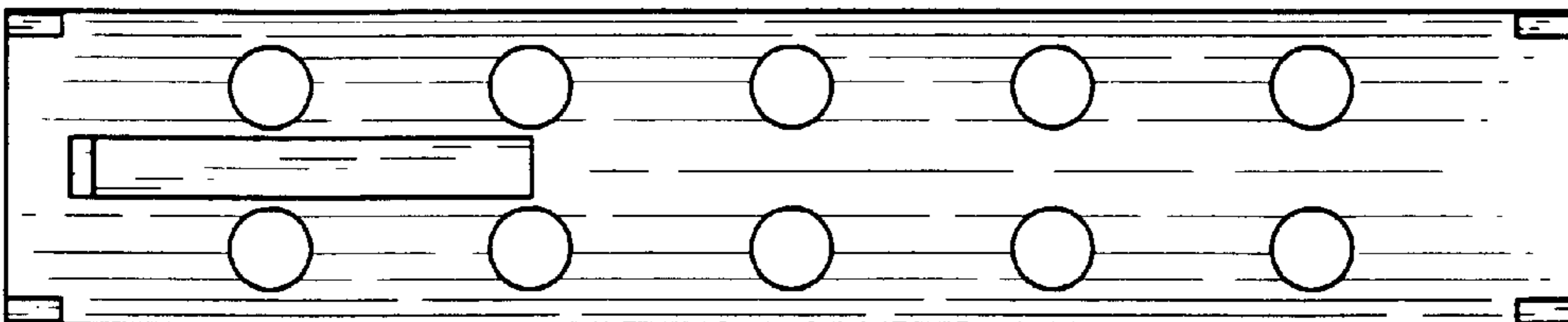


FIG. 2

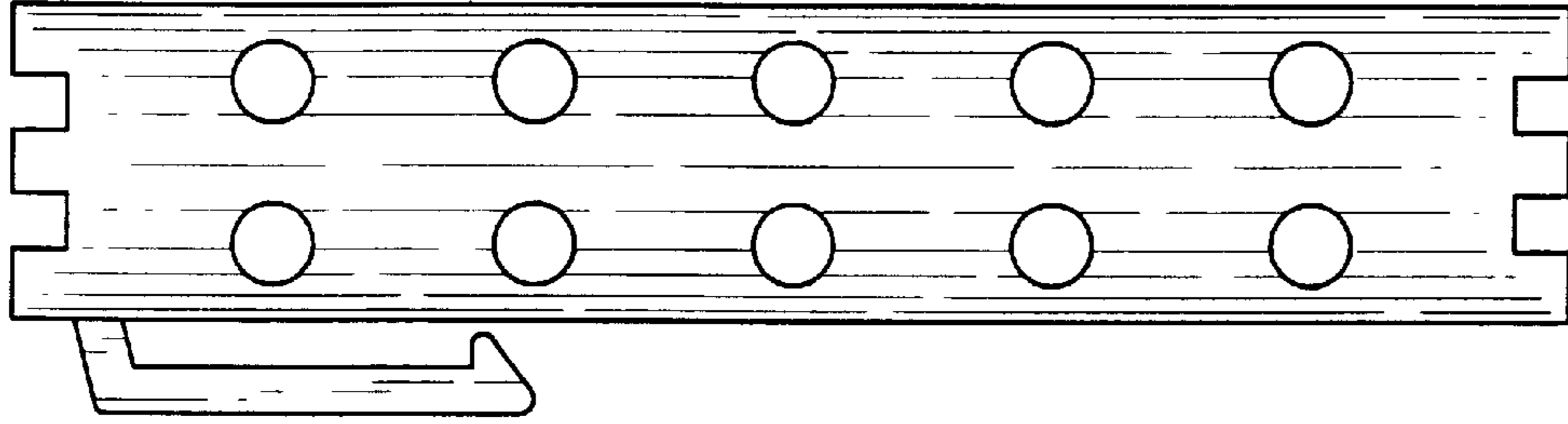


FIG. 5

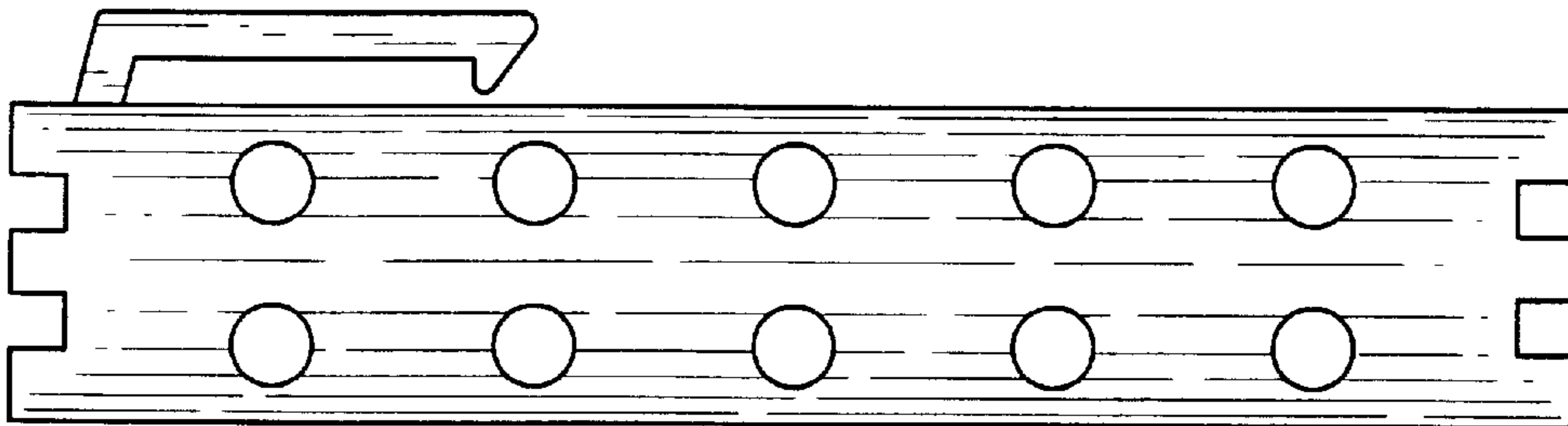


FIG. 4

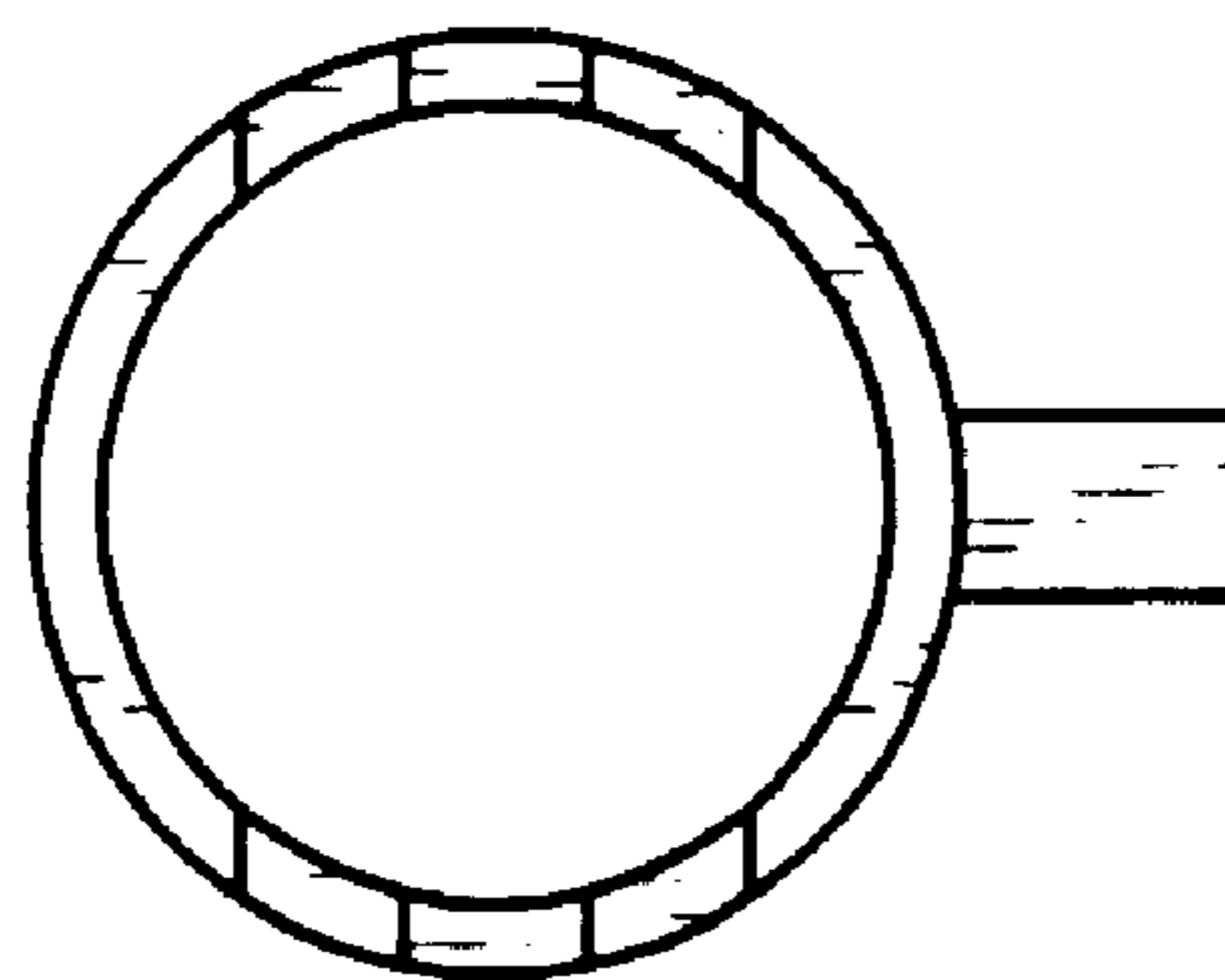
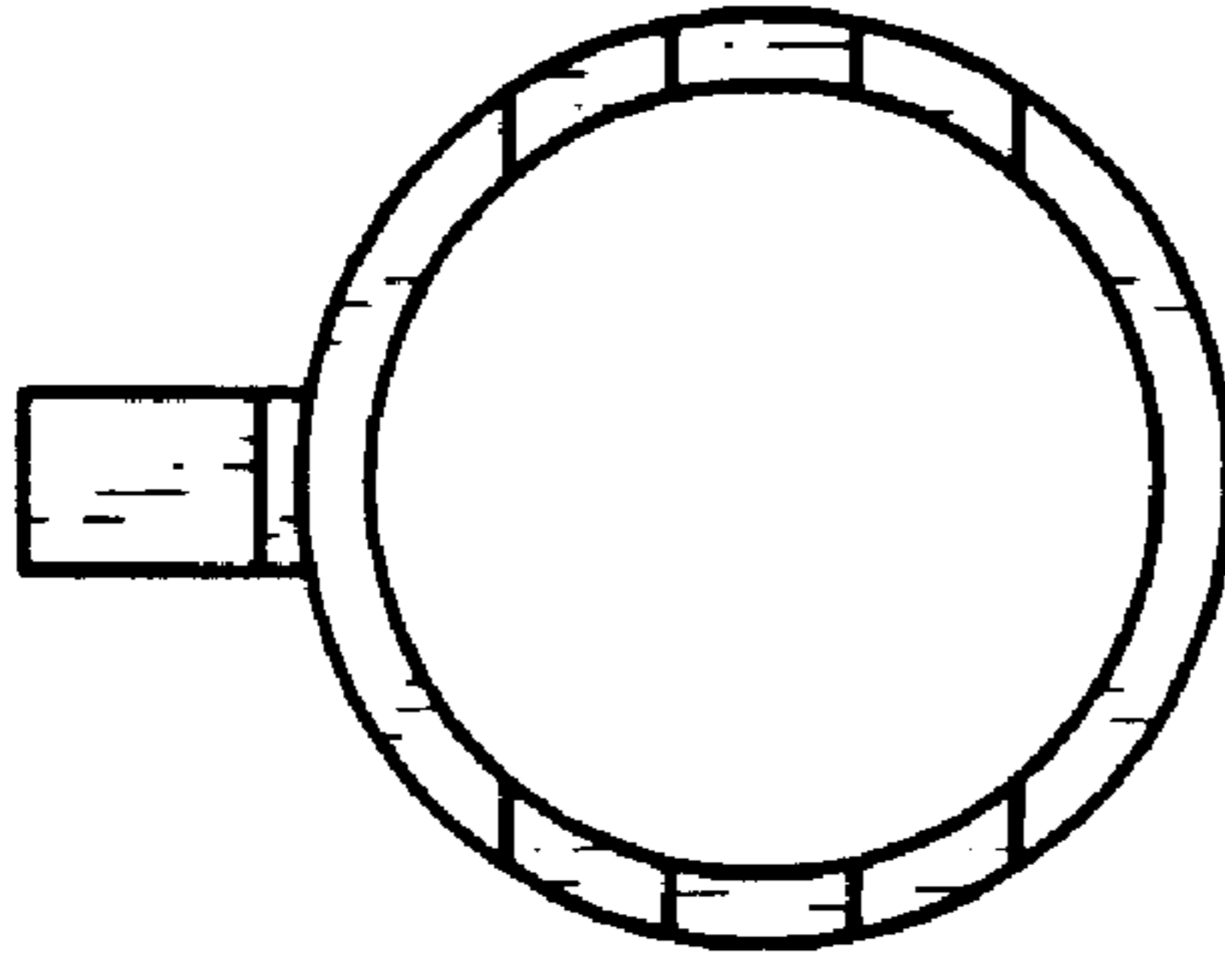


FIG. 6

FIG. 7