



US00D424238S

United States Patent [19]
Davis

[11] **Patent Number: Des. 424,238**

[45] **Date of Patent: ** May 2, 2000**

[54] **LOTION APPLICATOR**

5,692,261 12/1997 Lops 15/244.1

[76] Inventor: **Rodney Davis**, 968 Fernwood Ave.,
Plainfield, N.J. 07062

Primary Examiner—Raphael Barkai

[**] Term: **14 Years**

[57] **CLAIM**

The ornamental design for a lotion applicator, as shown and described.

[21] Appl. No.: **29/105,513**

[22] Filed: **May 27, 1999**

DESCRIPTION

[51] **LOC (7) Cl.** **28-02**

[52] **U.S. Cl.** **D28/7**

[58] **Field of Search** D28/7, 63; D4/137,
D4/121; D24/119; D32/40; 15/244.1, 244.2,
244.3, 244.4; 401/6

FIG. 1 is a front elevational view of the lotion applicator of the present invention;

FIG. 2 is a rear elevational view of the lotion applicator of FIG. 1;

FIG. 3 is a left side elevational view of the lotion applicator of FIG. 1;

FIG. 4 is a right side elevational view of the lotion applicator of FIG. 1;

FIG. 5 is a top plan view of the lotion applicator of FIG. 1; and,

FIG. 6 is a bottom plan view of the lotion applicator of FIG. 1.

[56] **References Cited**

U.S. PATENT DOCUMENTS

- D. 366,727 1/1996 Possmann D28/63
- D. 371,219 6/1996 Bouchez D4/137
- D. 387,481 12/1997 Esraelian D28/63
- D. 395,732 6/1998 Tomlinson et al. D28/7

1 Claim, 3 Drawing Sheets

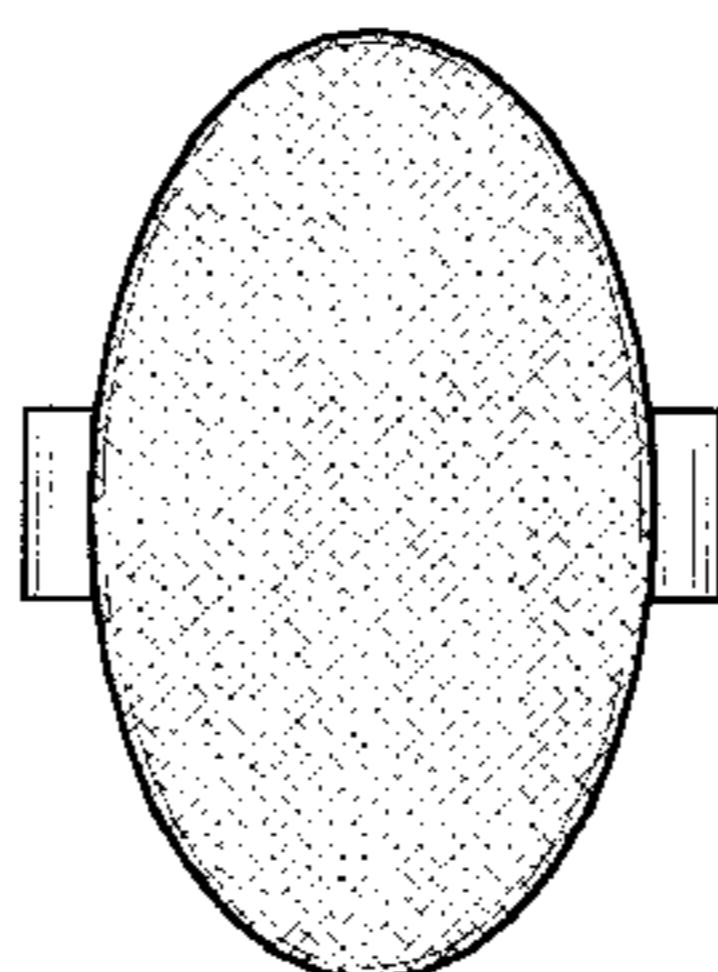


Fig. 1

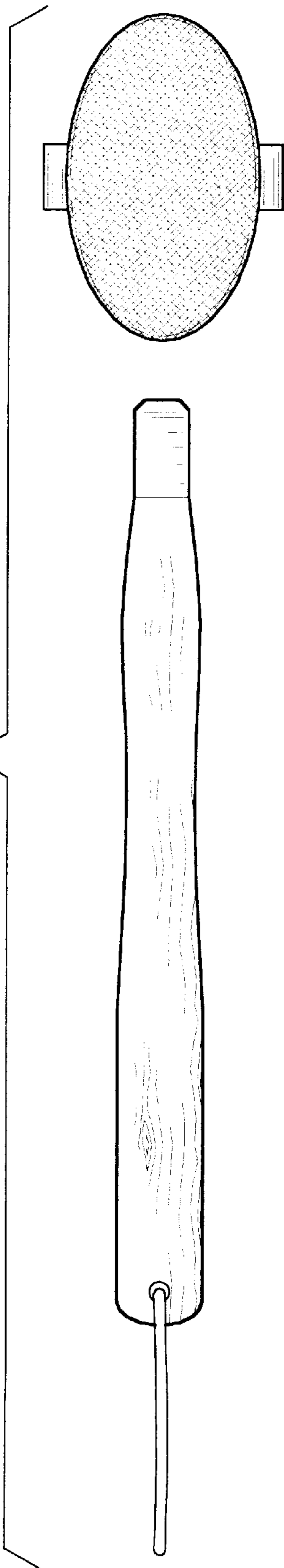


Fig. 2

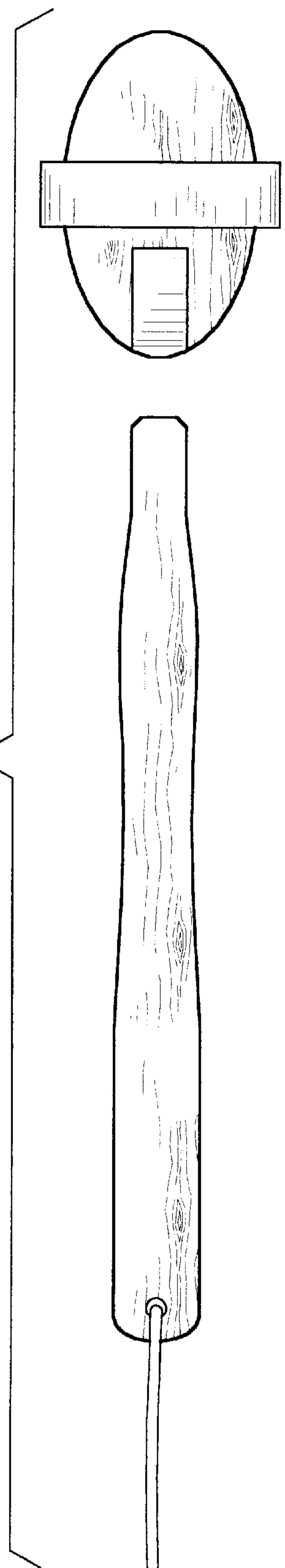


Fig. 3

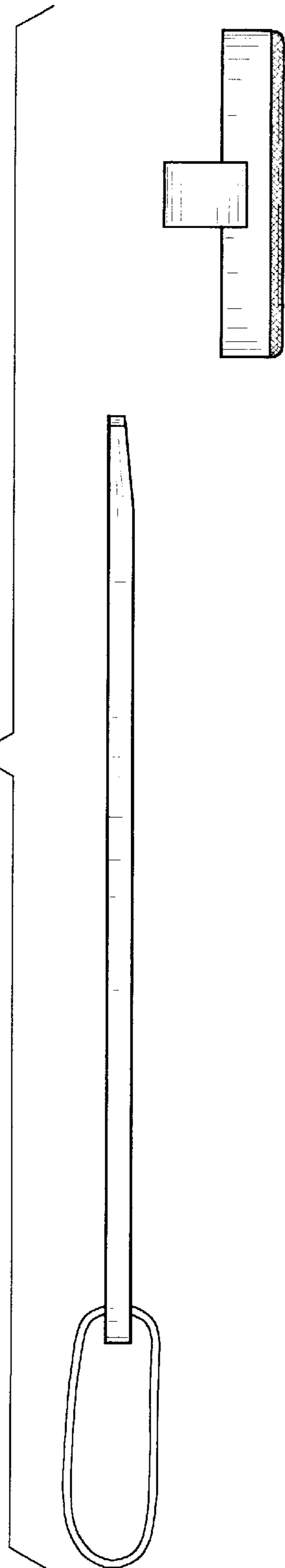


Fig. 4

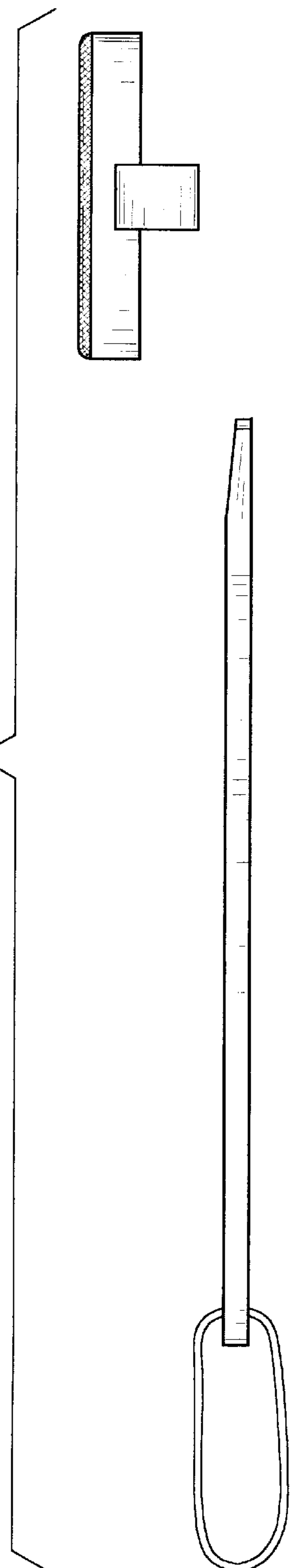


Fig. 5

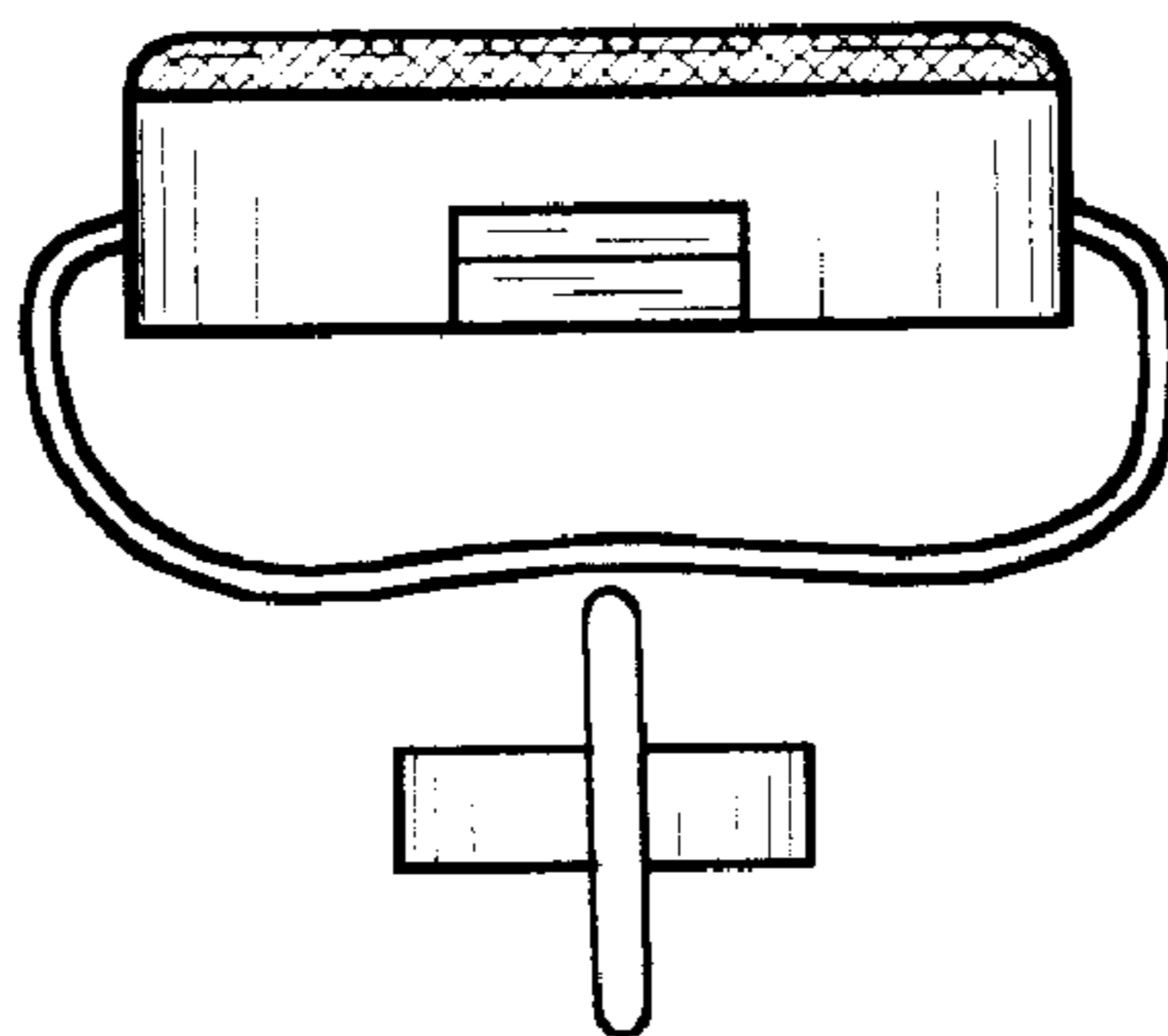
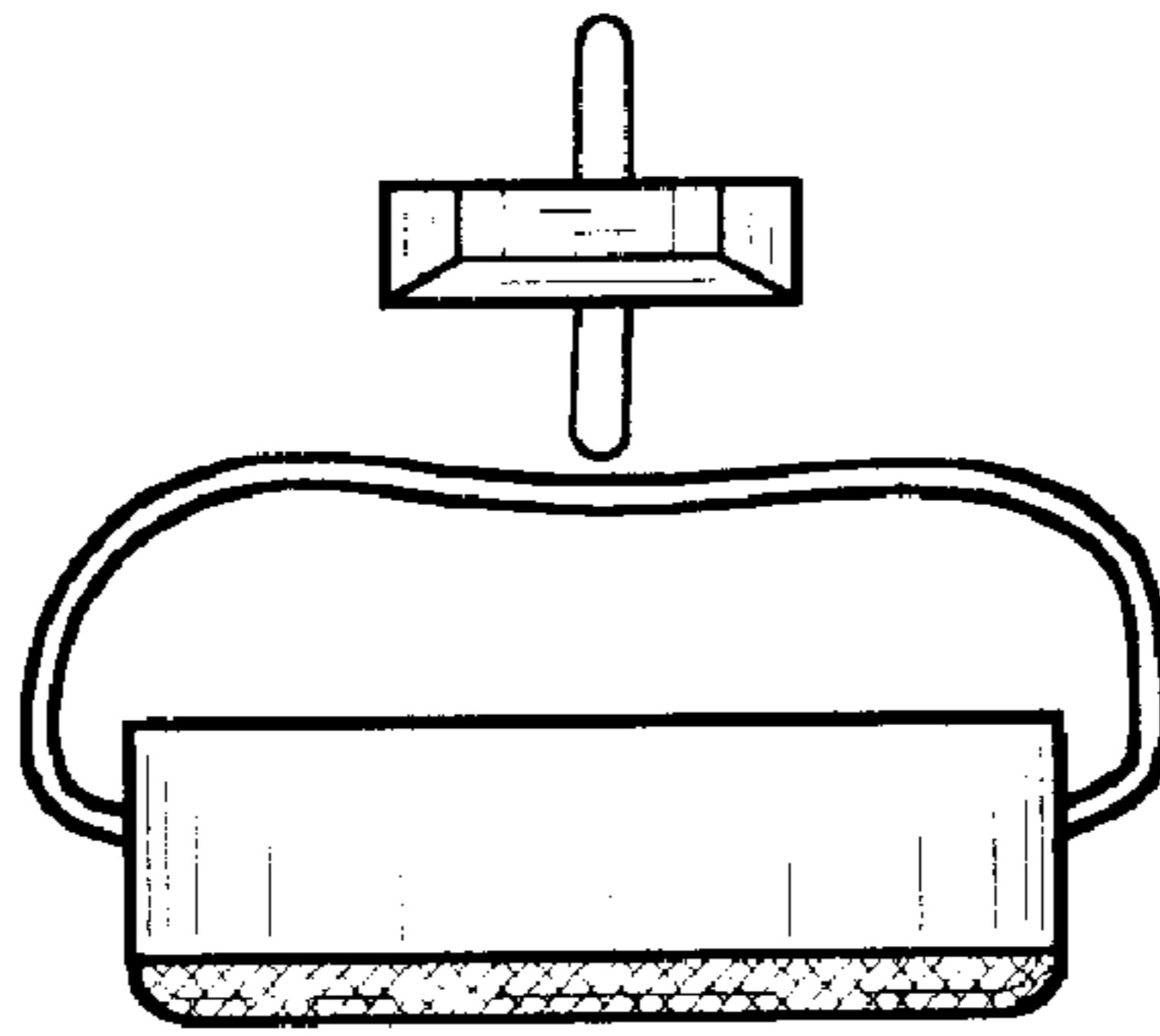


Fig. 6