



US00D424235S

United States Patent [19] Leen

[11] **Patent Number: Des. 424,235**

[45] **Date of Patent: ** May 2, 2000**

[54] **PORTABLE LIGHT STAND FOOT**

D. 330,604 10/1992 Chan et al. D26/63

[76] Inventor: **Monte A. Leen**, 11730 NE. 12th St.,
Bellevue, Wash. 98005

Primary Examiner—Susan J. Lucas
Attorney, Agent, or Firm—Dean A. Craine

[**] Term: **14 Years**

[57] **CLAIM**

[21] Appl. No.: **29/107,418**

The ornamental design for a portable light stand foot, as shown and described.

[22] Filed: **Jul. 2, 1999**

DESCRIPTION

[51] **LOC (7) Cl.** **26-99**

[52] **U.S. Cl.** **D26/142; D26/61**

[58] **Field of Search** D26/93, 102-112,
D26/142, 63, 64, 65, 66, 61; 362/410-414,
269, 277, 287, 418, 419, 427

FIG. 1 is a perspective view of the portable light stand foot.
FIG. 2 is a top plan view of the invention.

FIG. 3 is a bottom plan view of the invention.

FIG. 4 is a right side elevational view of the invention.

FIG. 5 is a left side elevational view of the invention.

FIG. 6 is a front elevational view of the invention; and,

FIG. 7 is a rear elevational view of the invention.

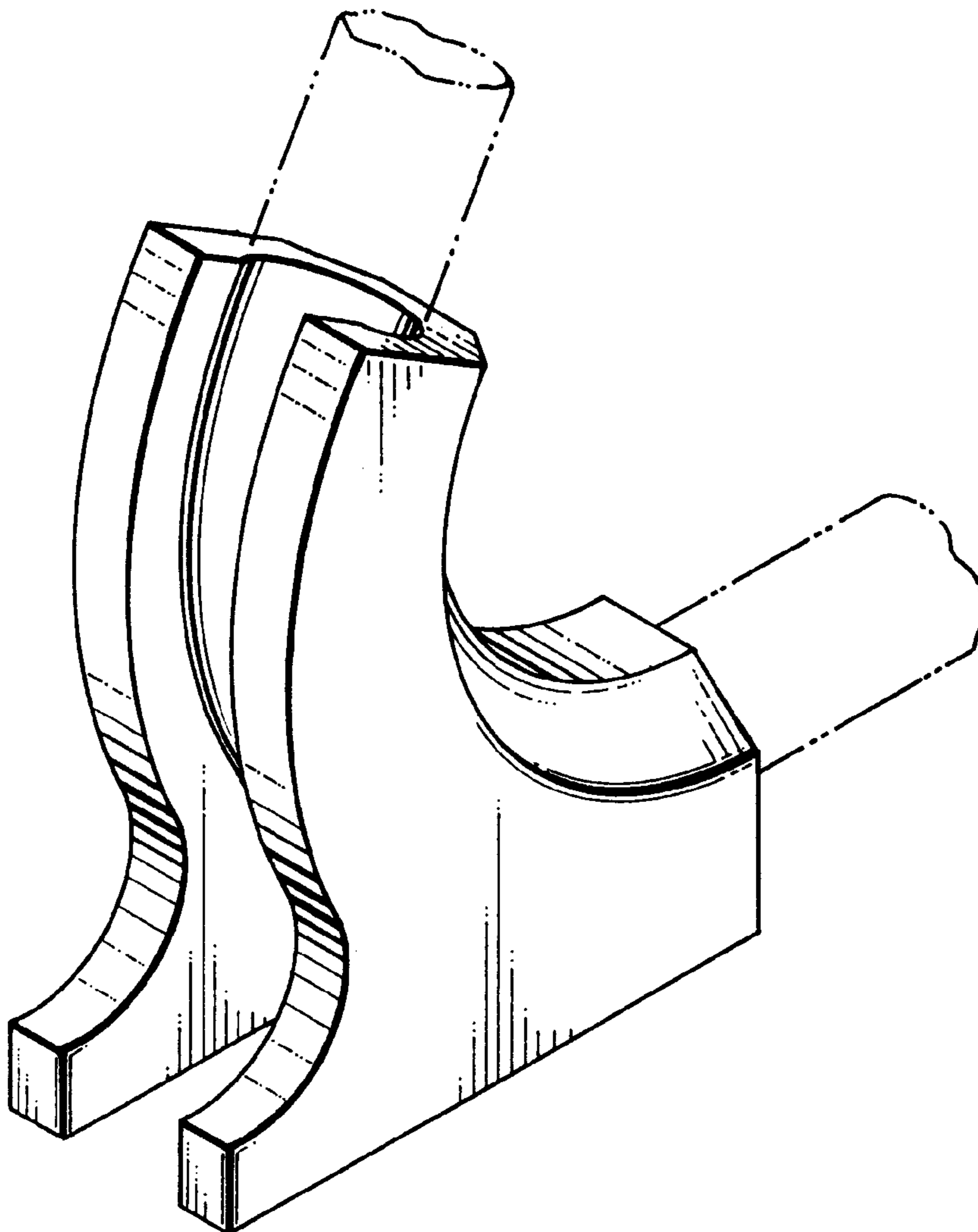
The broken lines are shown for illustrative purposes only and form no part of the claimed design.

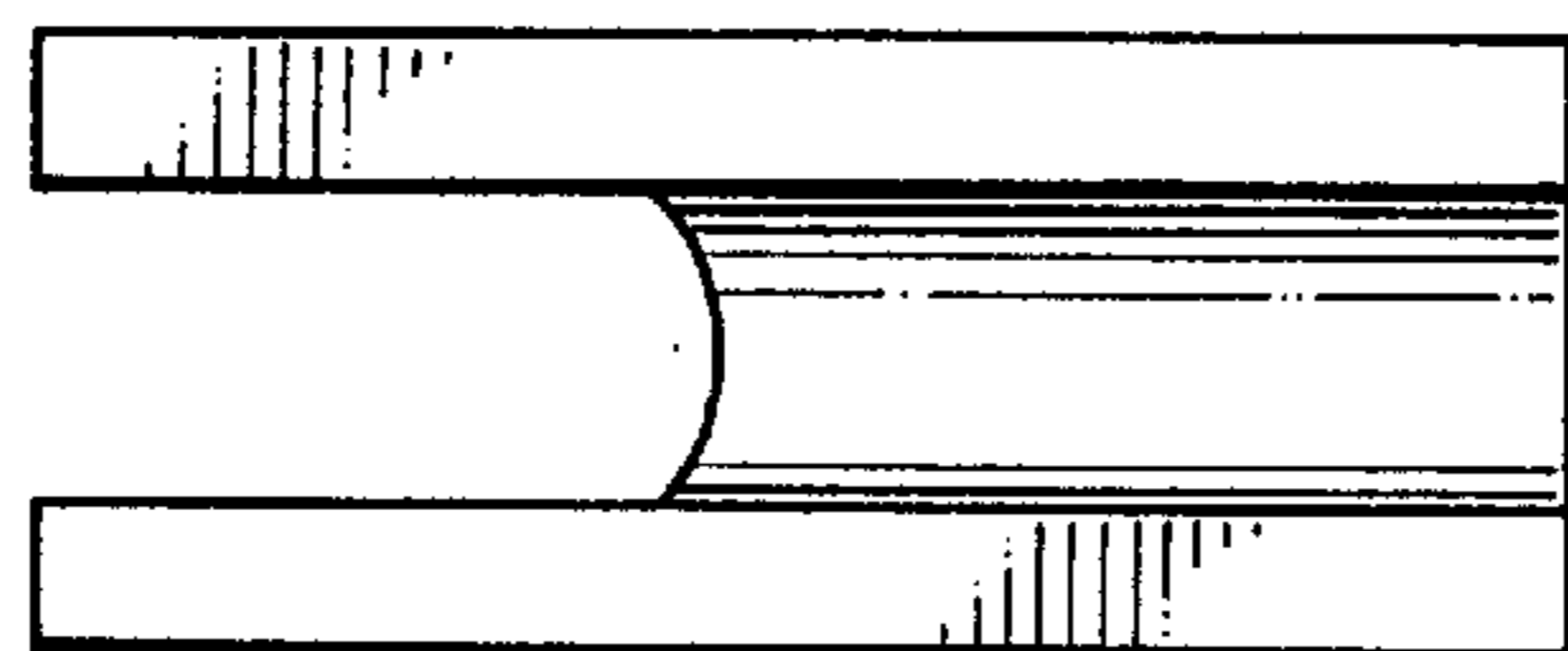
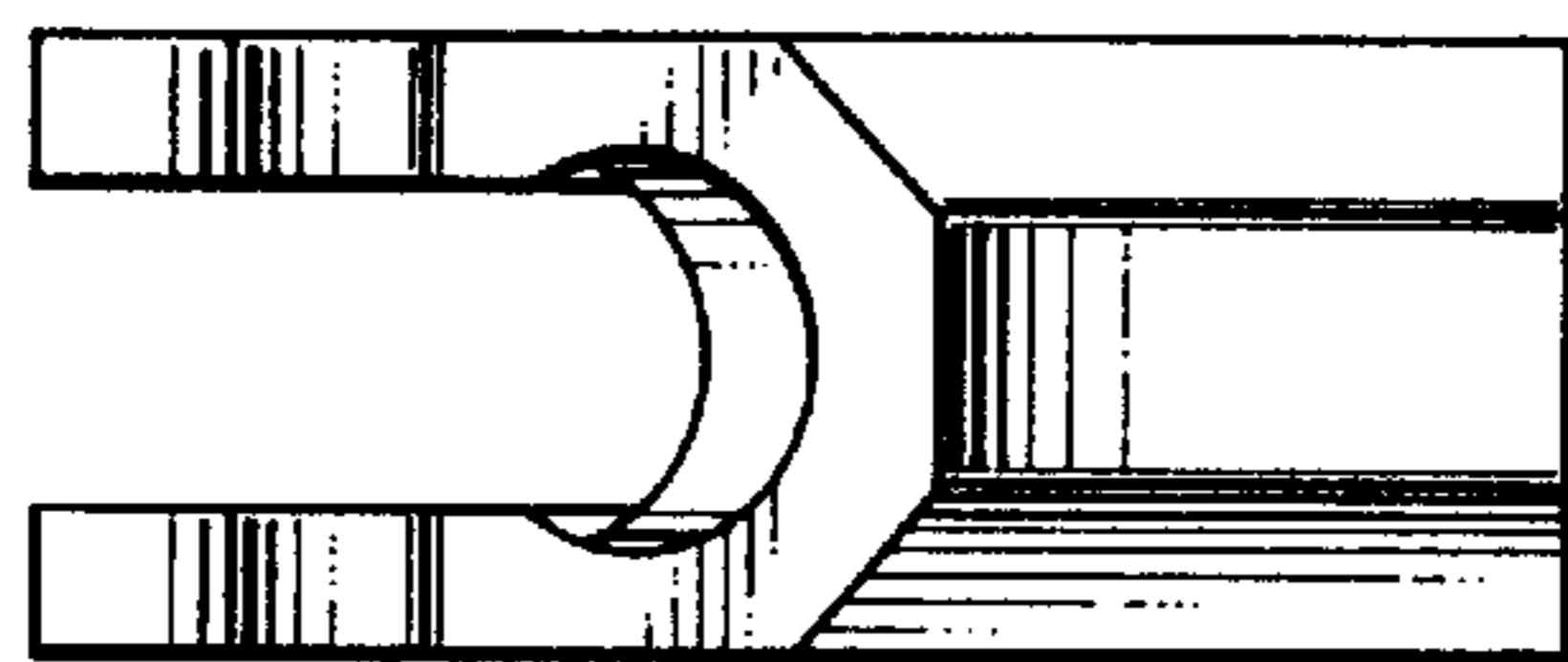
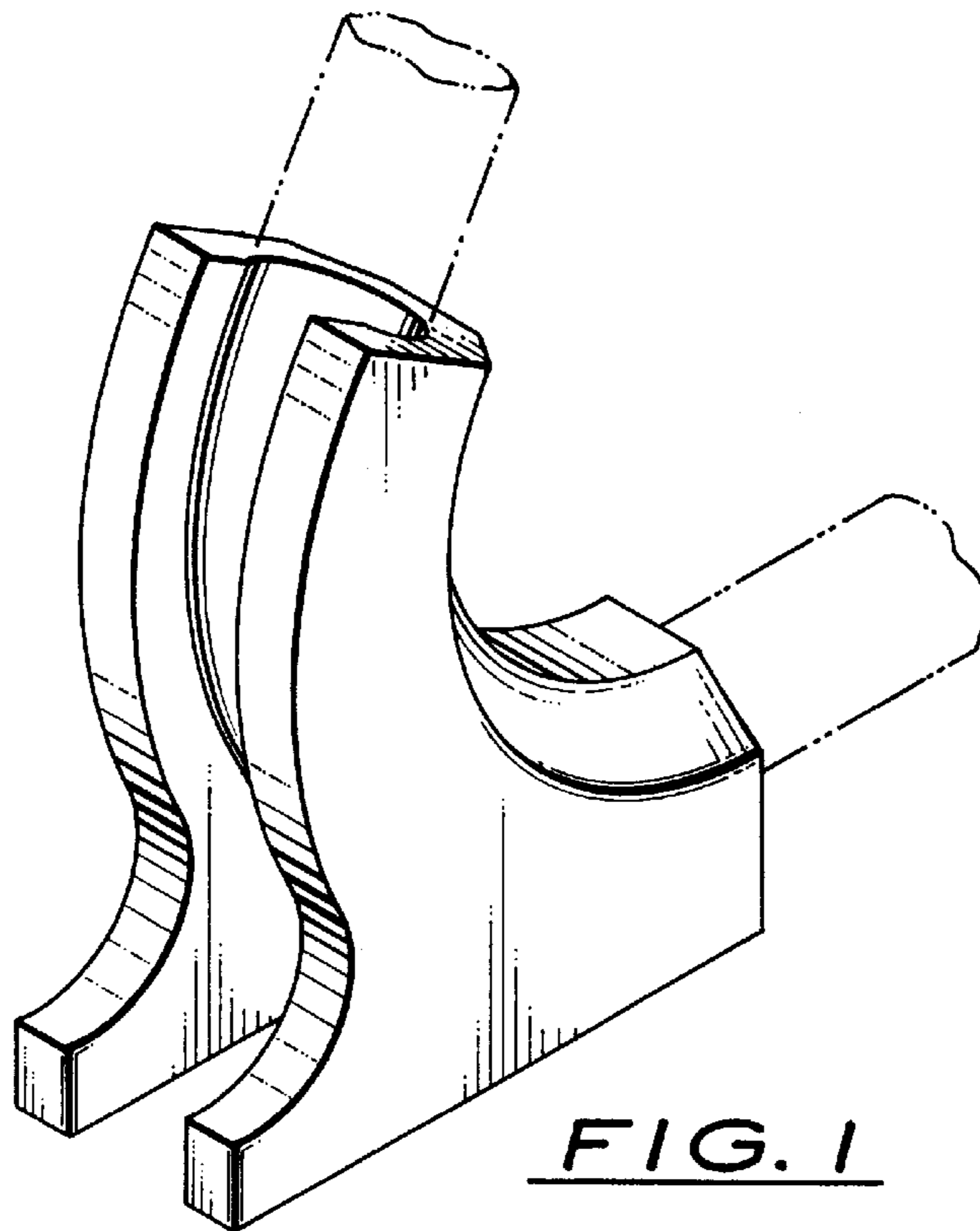
[56] **References Cited**

U.S. PATENT DOCUMENTS

D. 165,652	1/1952	Ingolia, Jr.	D26/93
D. 303,579	9/1989	Palumbo	D26/61
D. 325,101	3/1992	Liu	D26/61

1 Claim, 2 Drawing Sheets





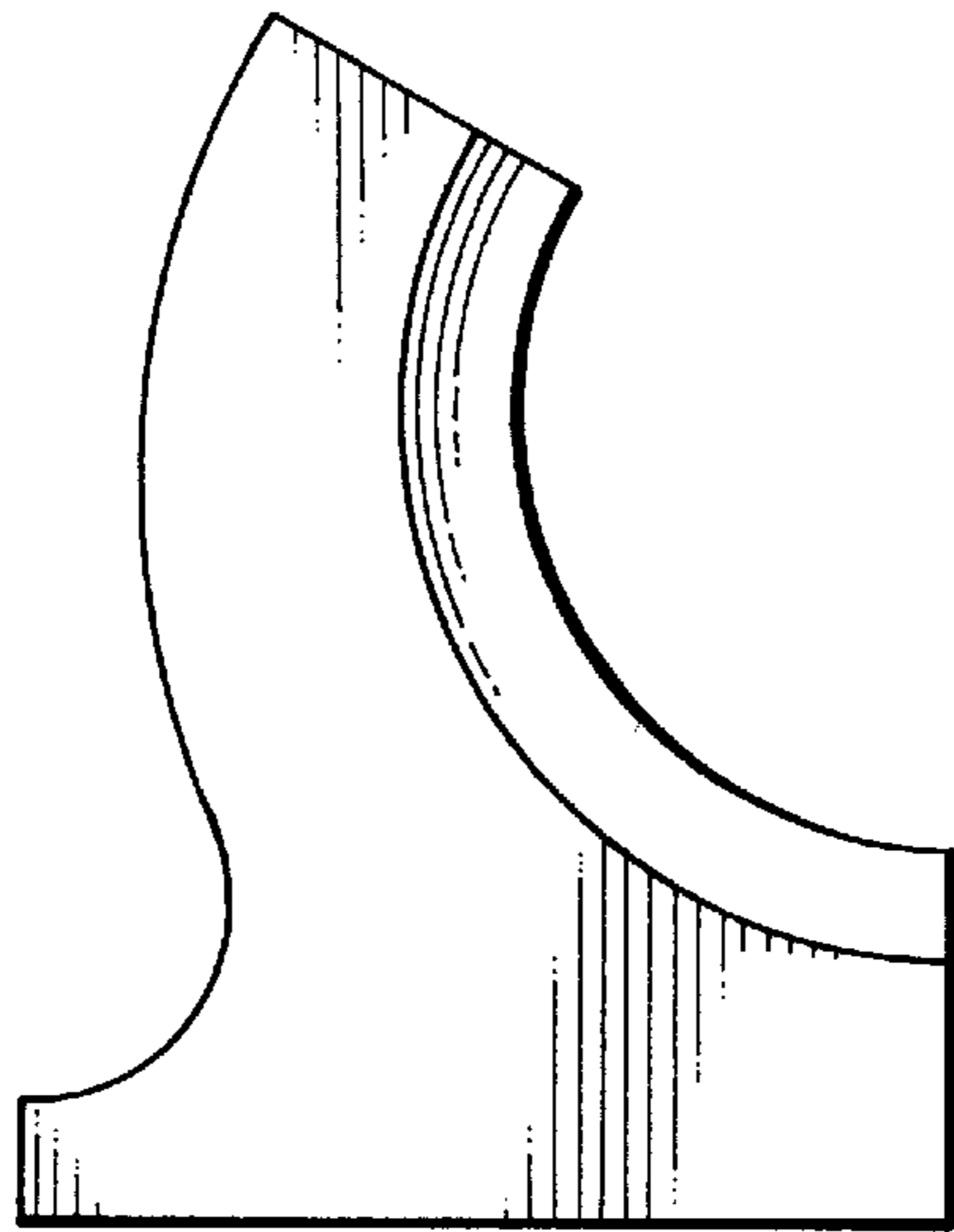


FIG. 4

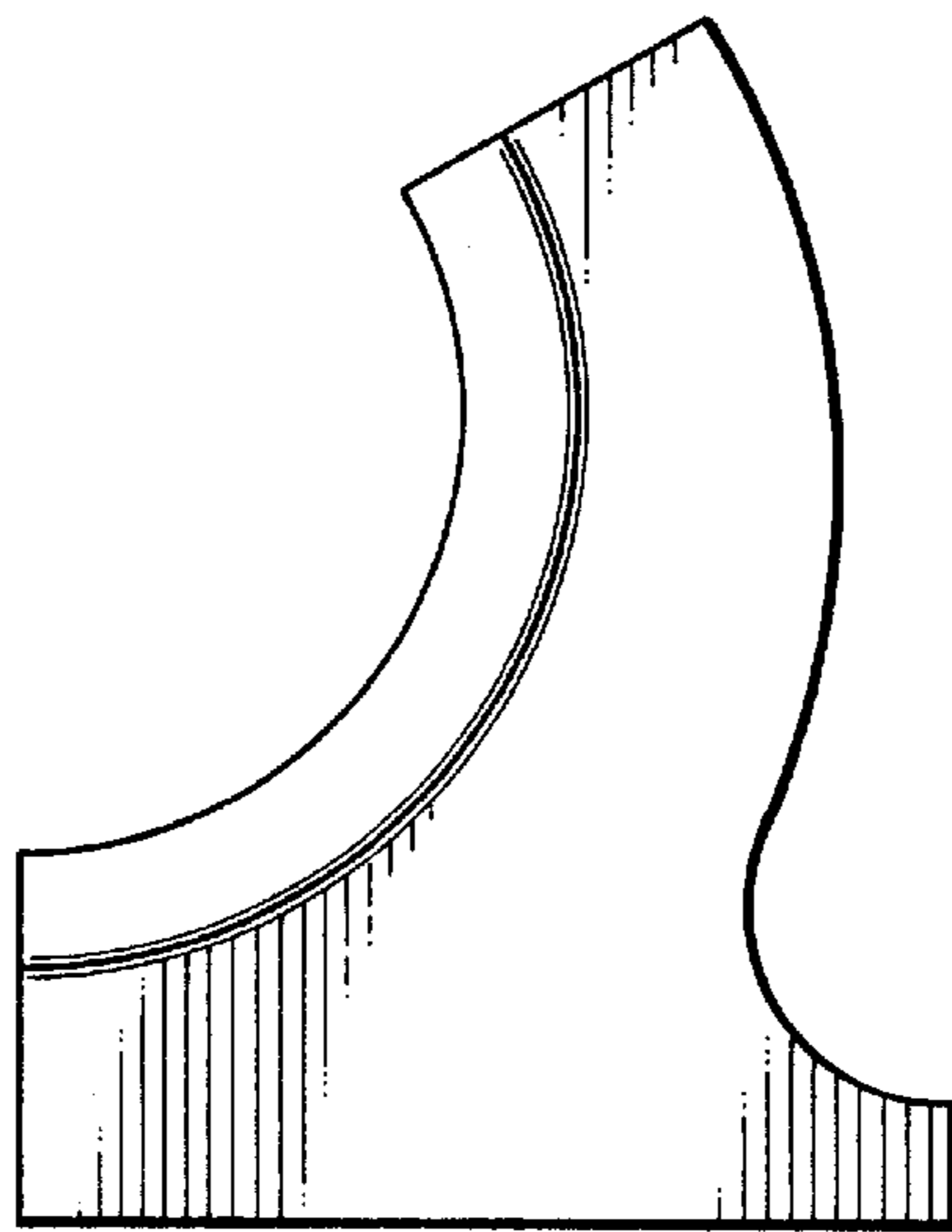


FIG. 5

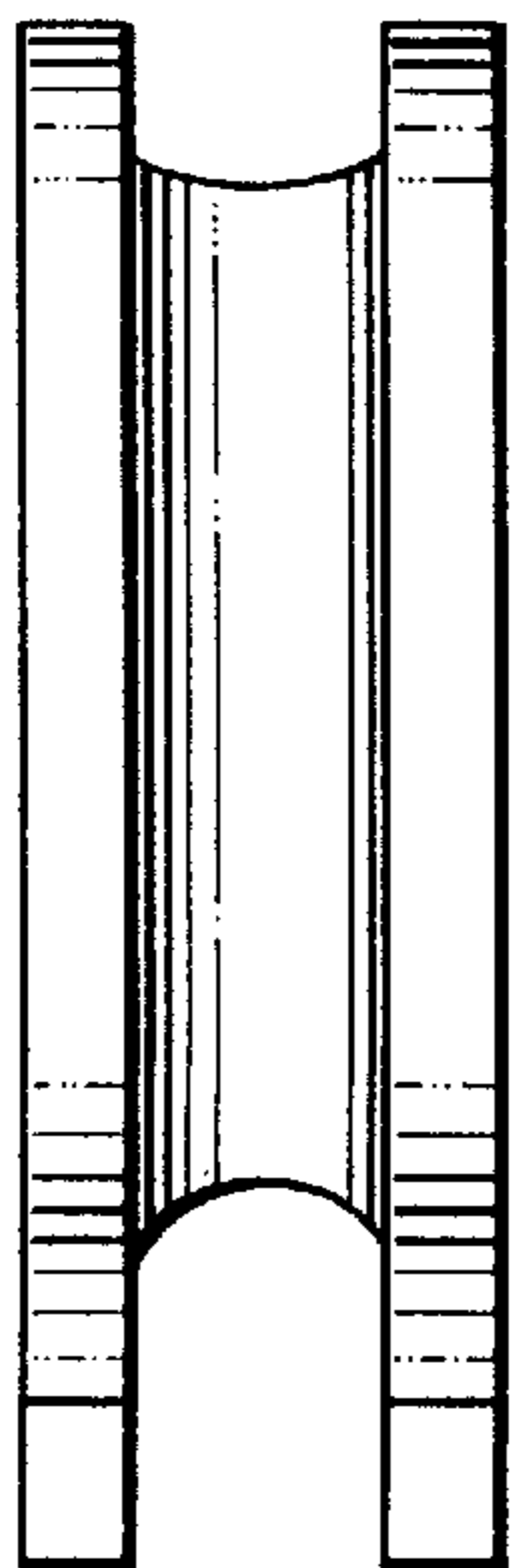


FIG. 6

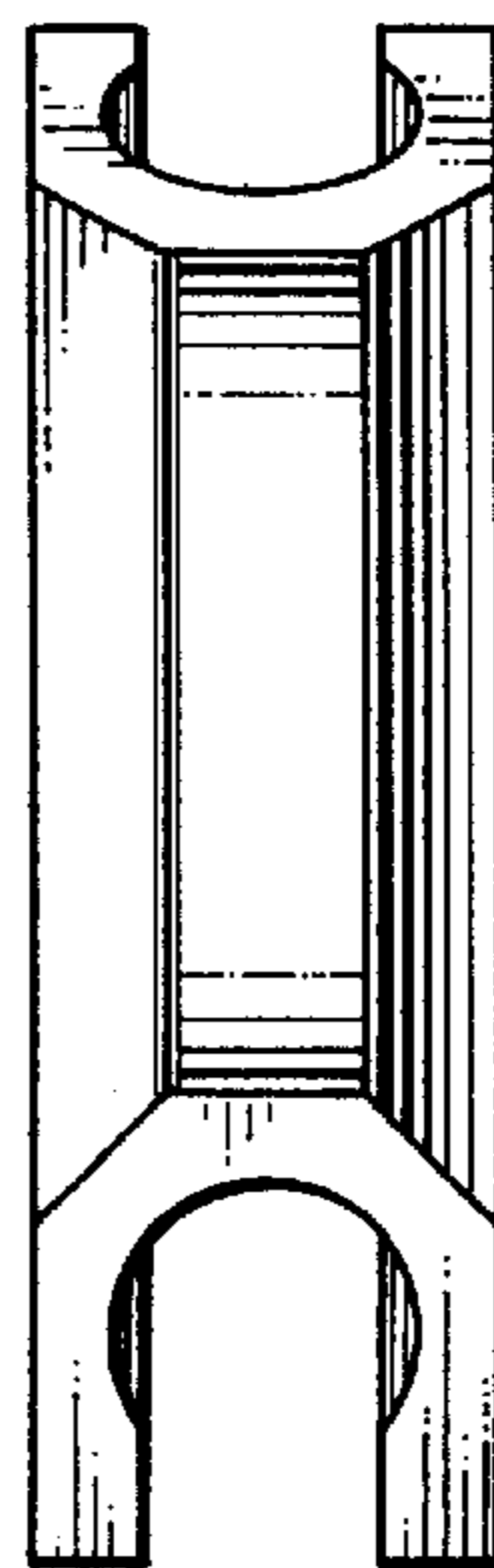


FIG. 7