



US00D424230S

United States Patent [19] Noh

[11] **Patent Number: Des. 424,230**

[45] **Date of Patent: ** May 2, 2000**

[54] **FLUORESCENT LAMP**

[75] Inventor: **Shi Youl Noh**, Dobong-ku, Rep. of Korea

[73] Assignee: **Boam R&D Co., Ltd.**, Kyonggi-Do, Rep. of Korea

[**] Term: **14 Years**

[21] Appl. No.: **29/095,496**

[22] Filed: **Oct. 23, 1998**

[51] **LOC (7) Cl.** **26-05**

[52] **U.S. Cl.** **D26/76**

[58] **Field of Search** D26/75-78; 362/147, 362/217, 218, 220, 222, 223, 219

[56] **References Cited**

U.S. PATENT DOCUMENTS

- D. 280,025 8/1985 Waters D26/75 X
- D. 280,346 8/1985 Aspenwall D26/75
- D. 348,946 7/1994 Watters et al. D26/76

- D. 381,760 7/1997 Costa D26/76
- D. 396,122 7/1998 Noh D26/76
- 4,130,860 12/1978 Careglio 362/147
- 4,229,780 10/1980 Nelson 362/147
- 5,541,823 7/1996 Fallon et al. 362/147
- 5,906,427 5/1999 Noh 362/147

Primary Examiner—Susan J. Lucas
Attorney, Agent, or Firm—Fleshner & Kim

[57] **CLAIM**

The ornamental design for a fluorescent lamp, as shown and described.

DESCRIPTION

FIG. 1 is a top, front and right side perspective view; FIG. 2 is a top plan view thereof; FIG. 3 is a bottom plan view thereof; FIG. 4 is a front elevational view thereof, a rear being a mirror image; FIG. 5 is a left side elevational view thereof; and, FIG. 6 is a right side elevational view.

1 Claim, 3 Drawing Sheets

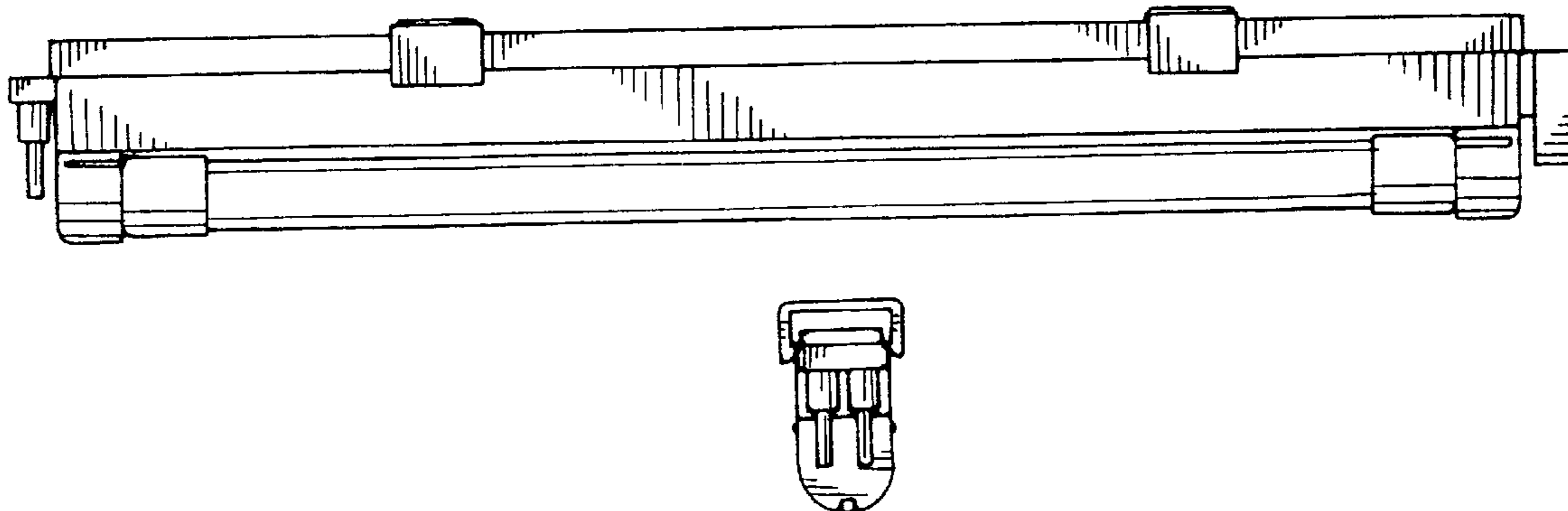


FIG. 1

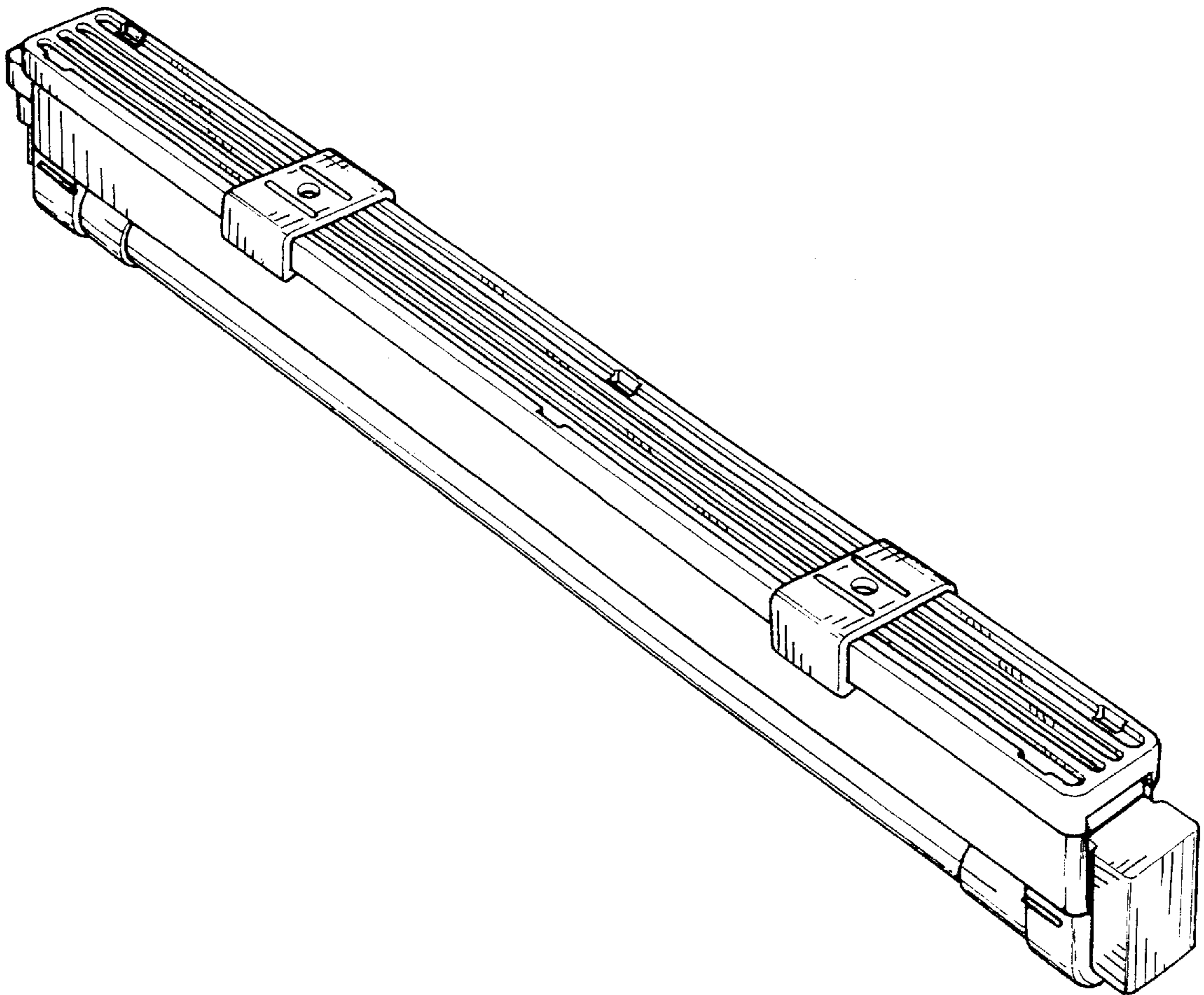


FIG. 2

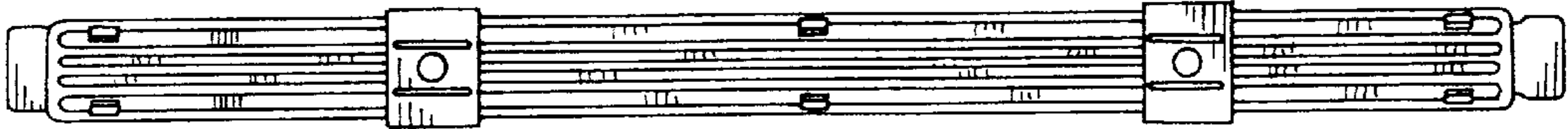


FIG. 3

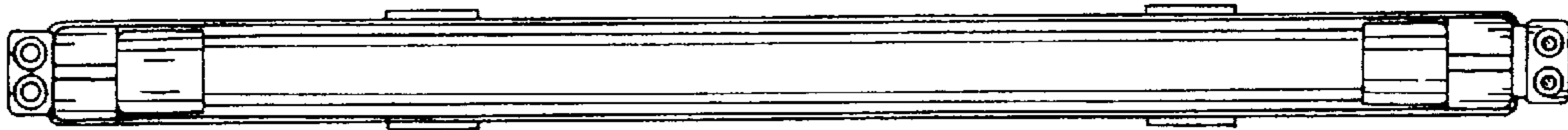


FIG. 4

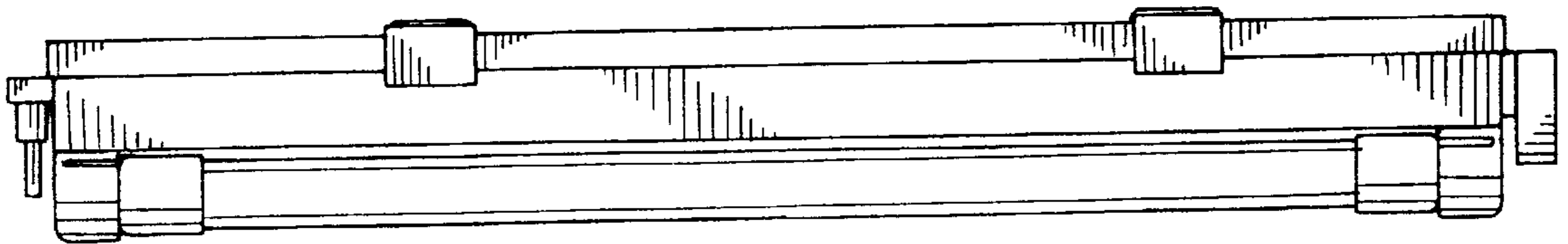


FIG. 5

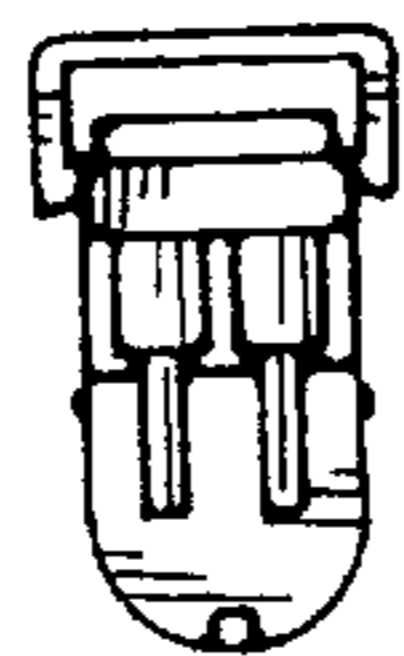


FIG. 6

