



US00D424229S

United States Patent [19]

Leen

[11] Patent Number: Des. 424,229

[45] Date of Patent: ** May 2, 2000

[54] MERCURY VAPOR LIGHT BASE FOR EXTERIOR LIGHTING FIXTURE

[76] Inventor: **Monte A. Leen**, 1804 W. Lake Sammamish Pkwy. NE., Bellevue, Wash. 98008

[**] Term: **14 Years**

[21] Appl. No.: **29/096,959**

[22] Filed: **Nov. 23, 1998**

[51] LOC (7) Cl. **26-05**

[52] U.S. Cl. **D26/71**

[58] Field of Search D26/67-71, 87, D26/92; 362/147, 153, 153.1, 431, 432

[56] References Cited

U.S. PATENT DOCUMENTS

D. 219,546	12/1970	Kaiser et al.	D26/68
D. 313,483	1/1991	Blake	D26/71
D. 389,939	1/1998	Leen	D26/71
D. 400,998	11/1998	Leen	D26/71

Primary Examiner—Freda Nunn
Attorney, Agent, or Firm—Dean A. Craine

[57] CLAIM

The ornamental design for a mercury vapor light base for exterior lighting fixture, as shown and described.

DESCRIPTION

FIG. 1 is a top isometric view of a mercury vapor light base for exterior lighting fixture showing one embodiment of my new design;

FIG. 2 is a front elevational view of FIG. 1;

FIG. 3 is a back elevational view of FIG. 1;

FIG. 4 is a side elevational view of FIG. 1 with other elements of a mercury vapor light shown in phantom for illustrative purposes only and forms no part of the claimed design;

FIG. 5 is a top plan view of FIG. 1;

FIG. 6 is a bottom plan view of FIG. 1;

FIG. 7 is a top isometric view of a mercury vapor light base for exterior lighting fixture showing an alternative embodiment of my new design;

FIG. 8 is a front elevational view of FIG. 7;

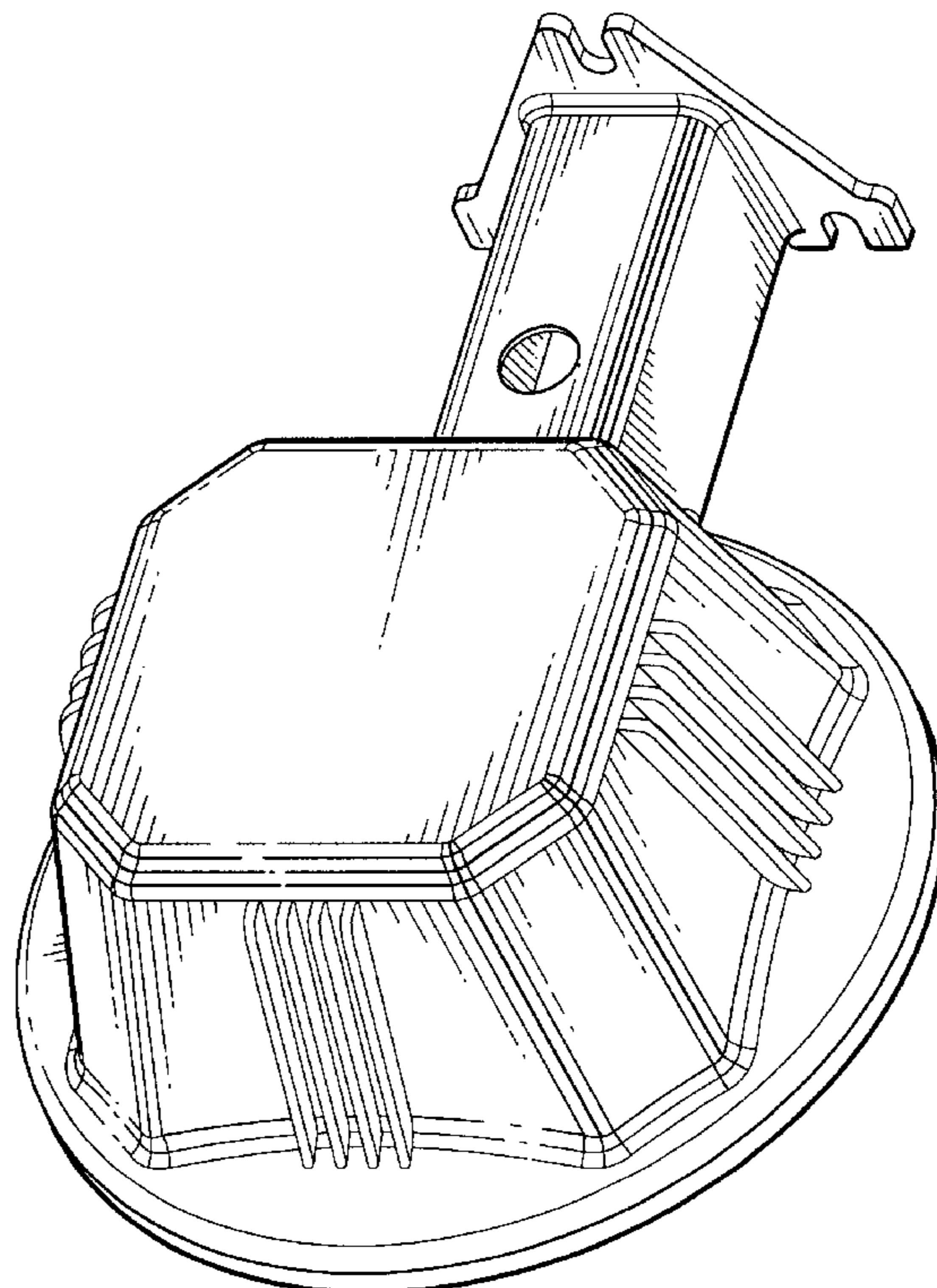
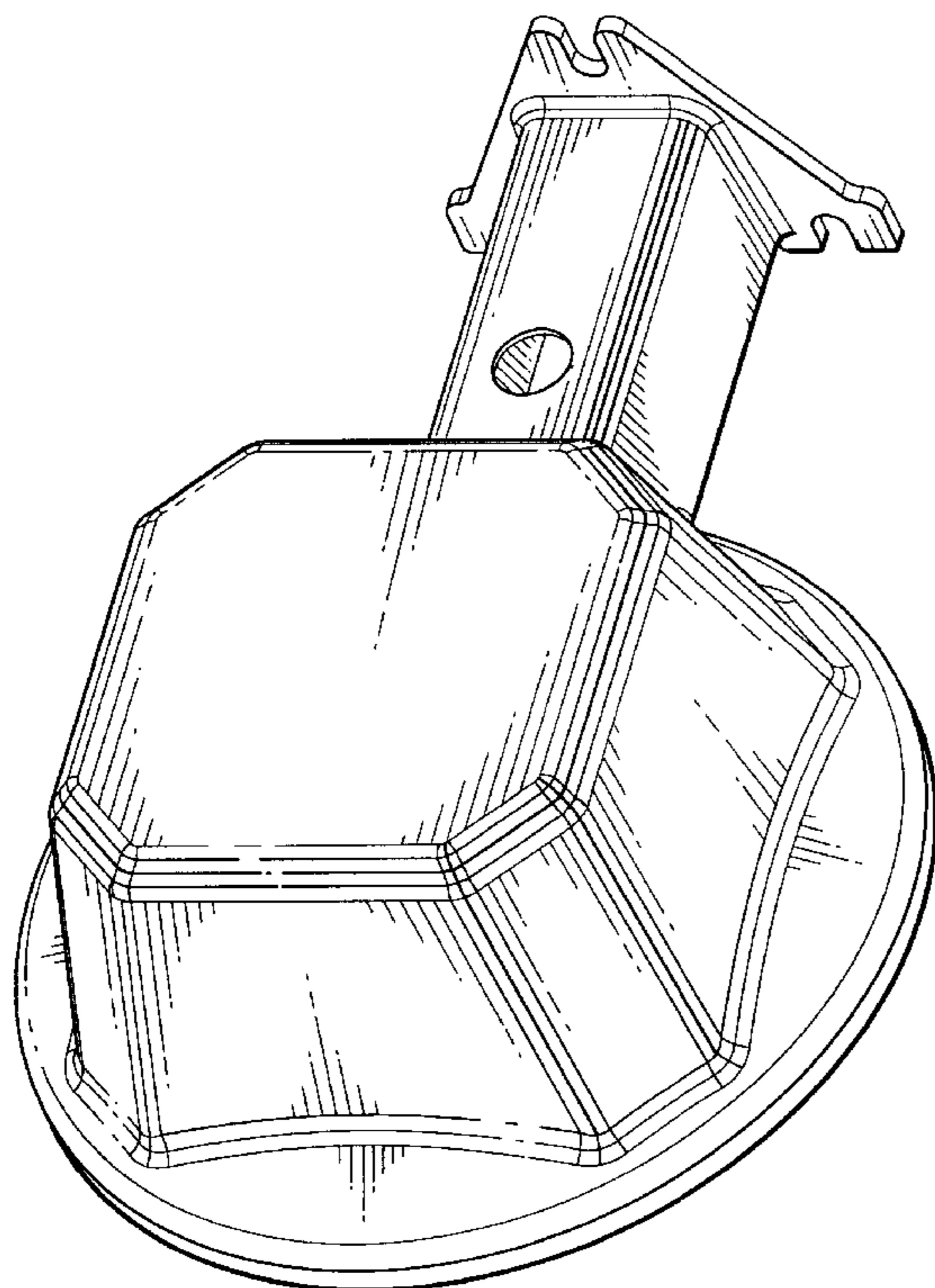
FIG. 9 is a back elevational view of FIG. 7;

FIG. 10 is a side elevational view of FIG. 7 with other elements of a mercury vapor light shown in phantom for illustrative purposes only and forms no part of the claimed design;

FIG. 11 is a top plan view of FIG. 7; and,

FIG. 12 is a bottom plan view of FIG. 7.

1 Claim, 8 Drawing Sheets



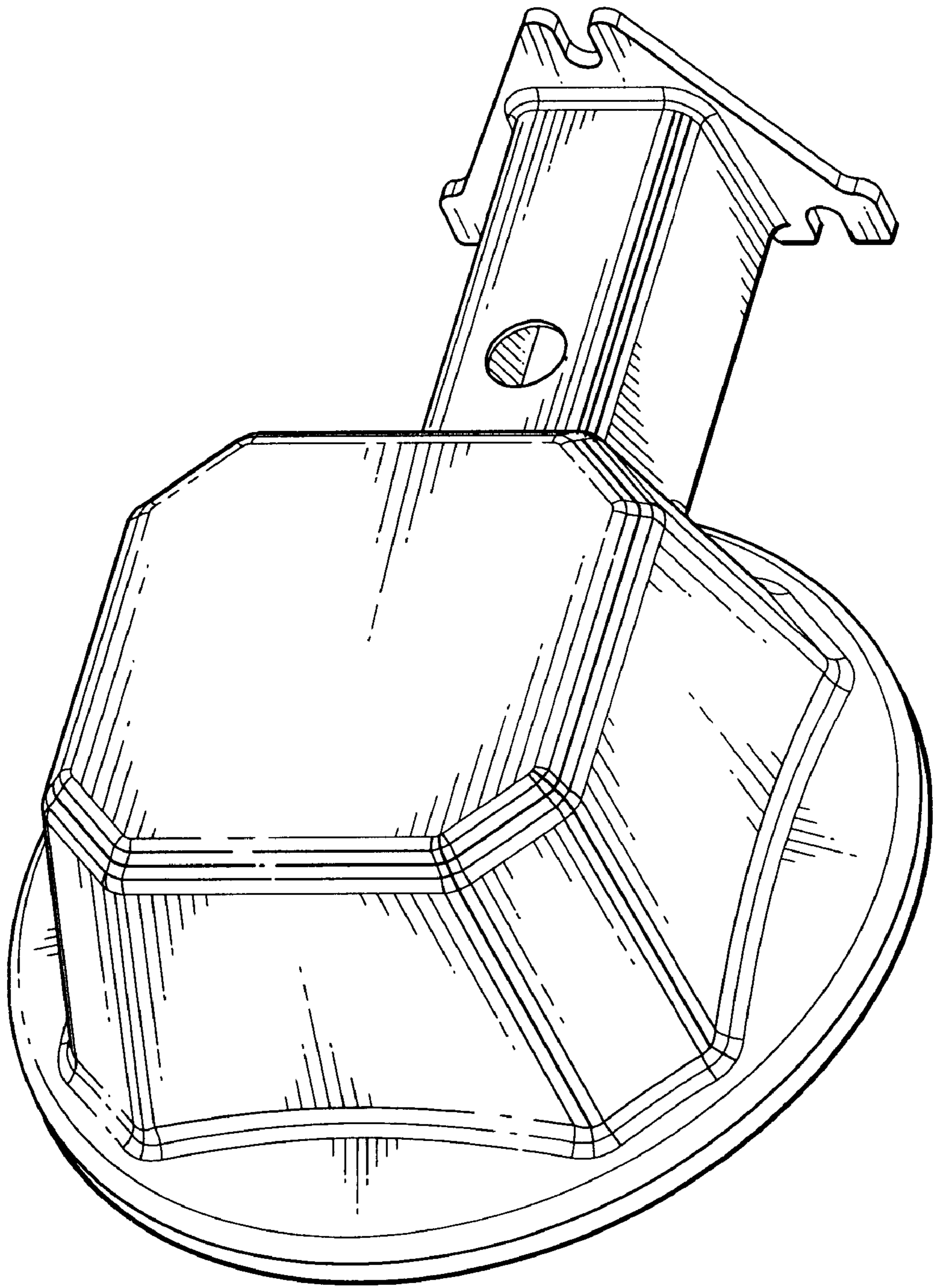


Fig. 1

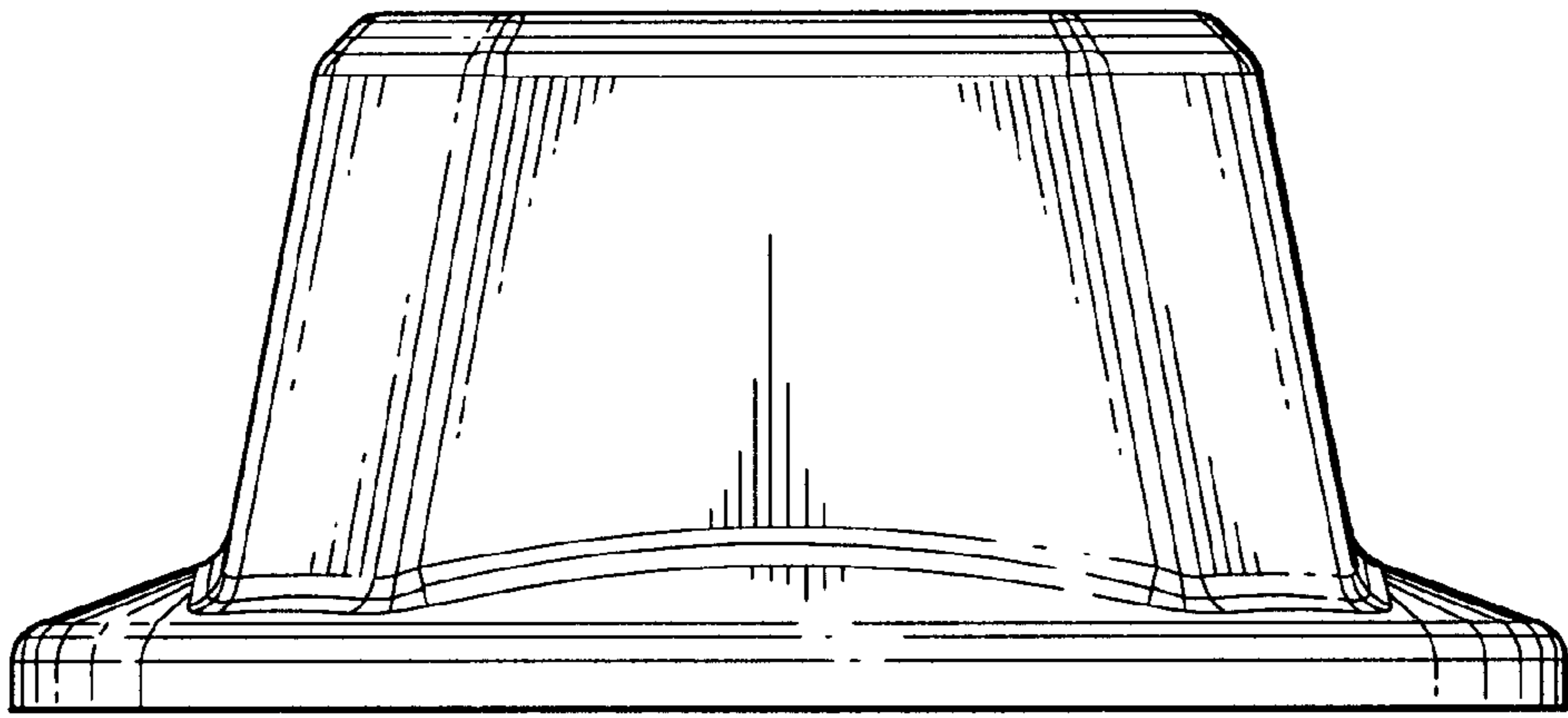


Fig. 2

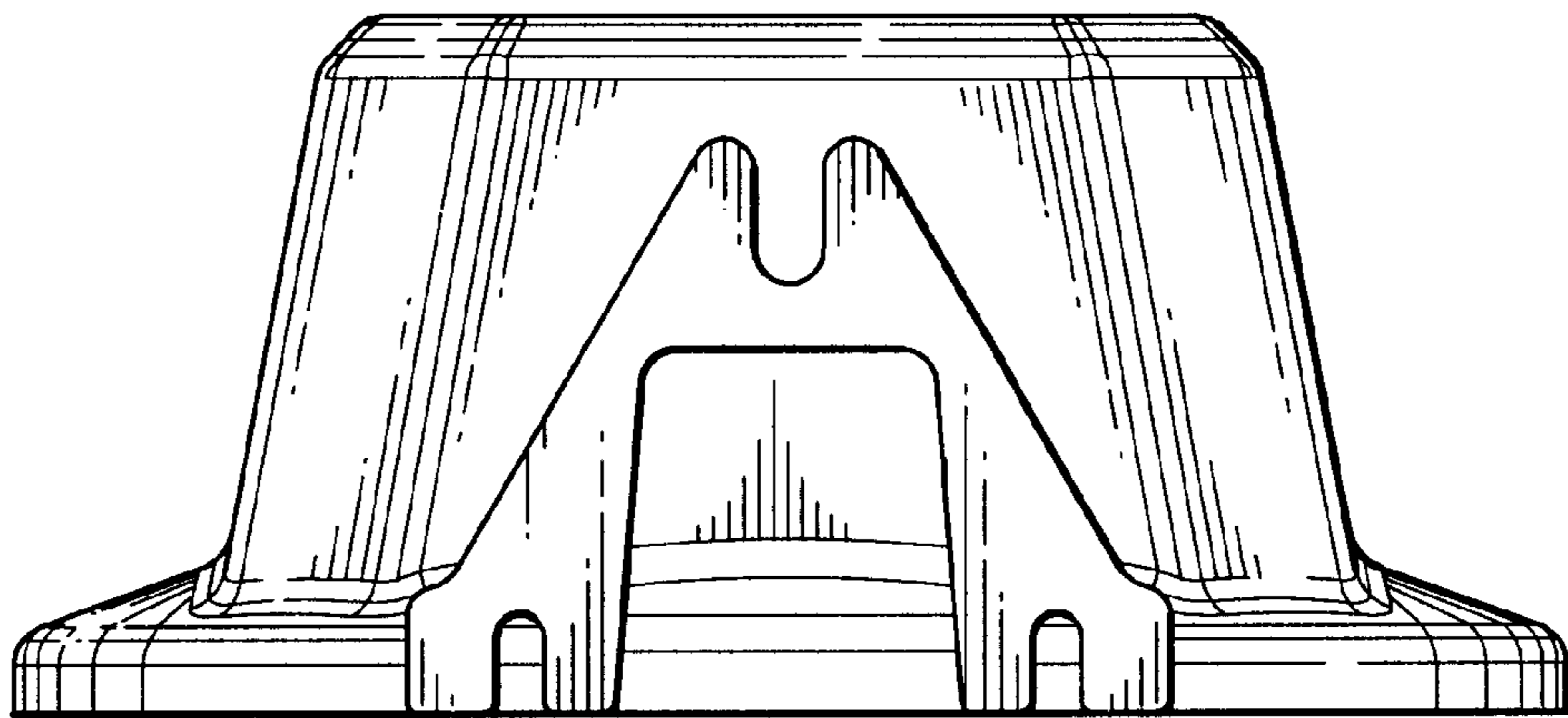


Fig. 3

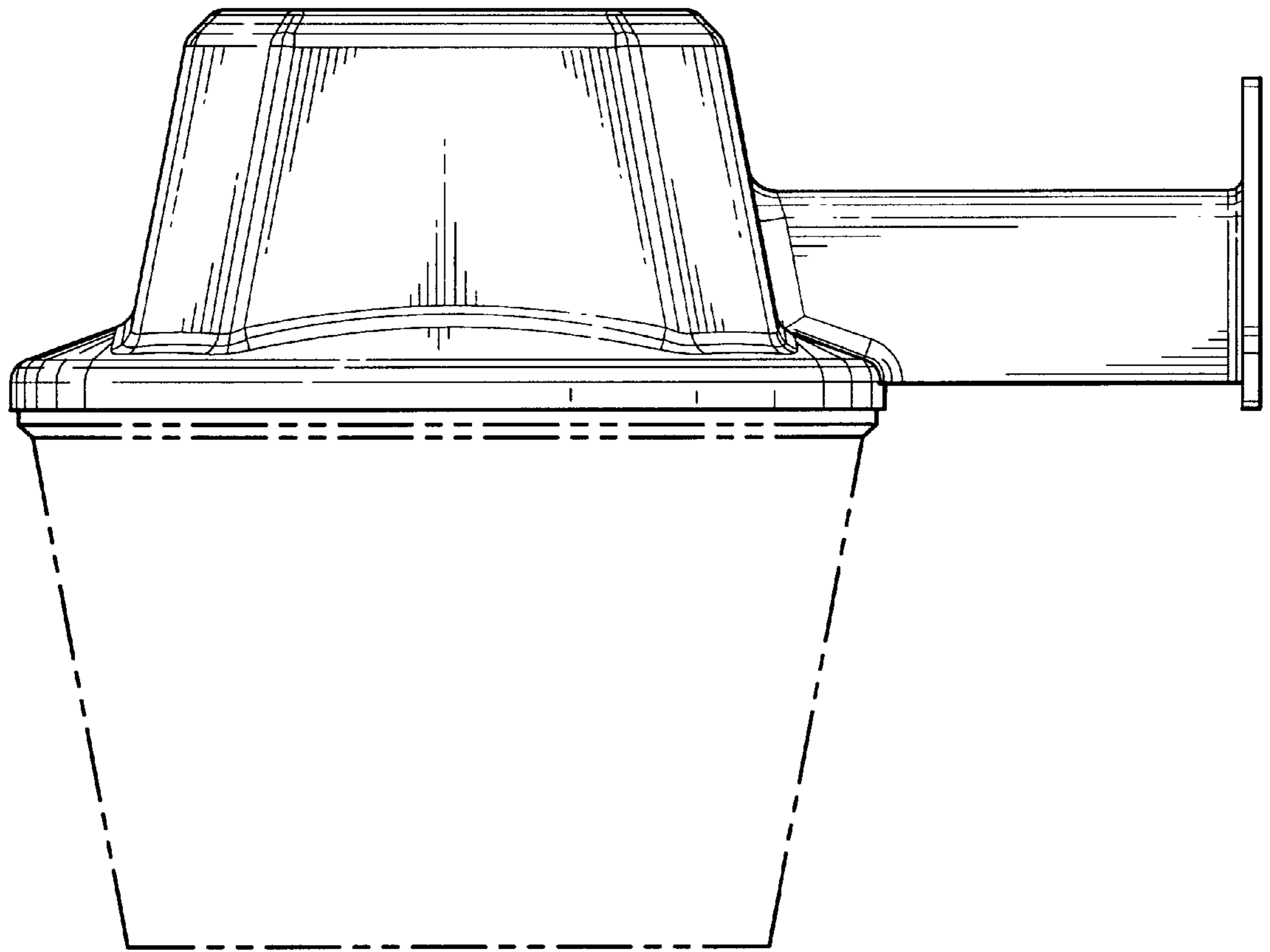


Fig. 4

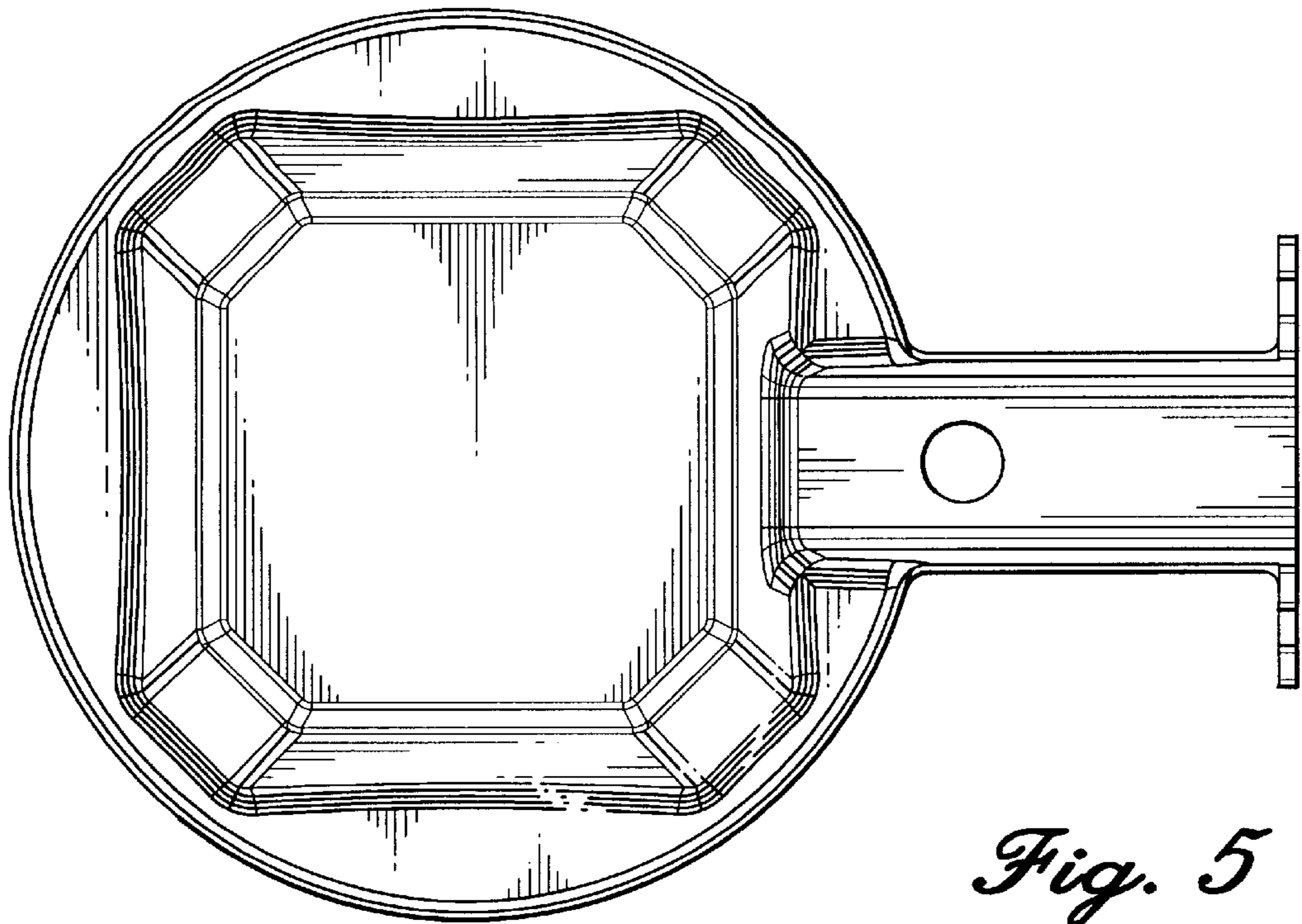


Fig. 5

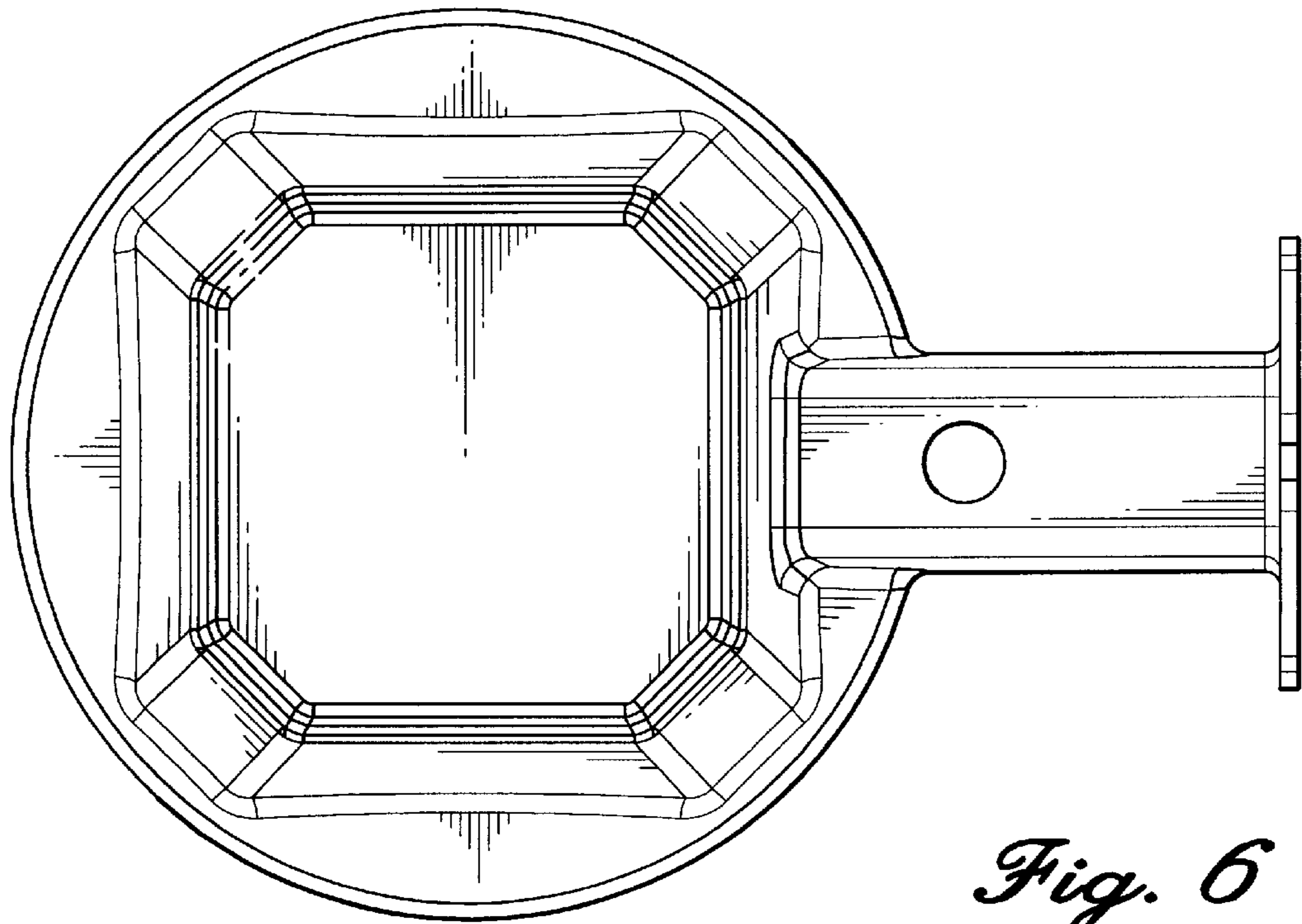


Fig. 6

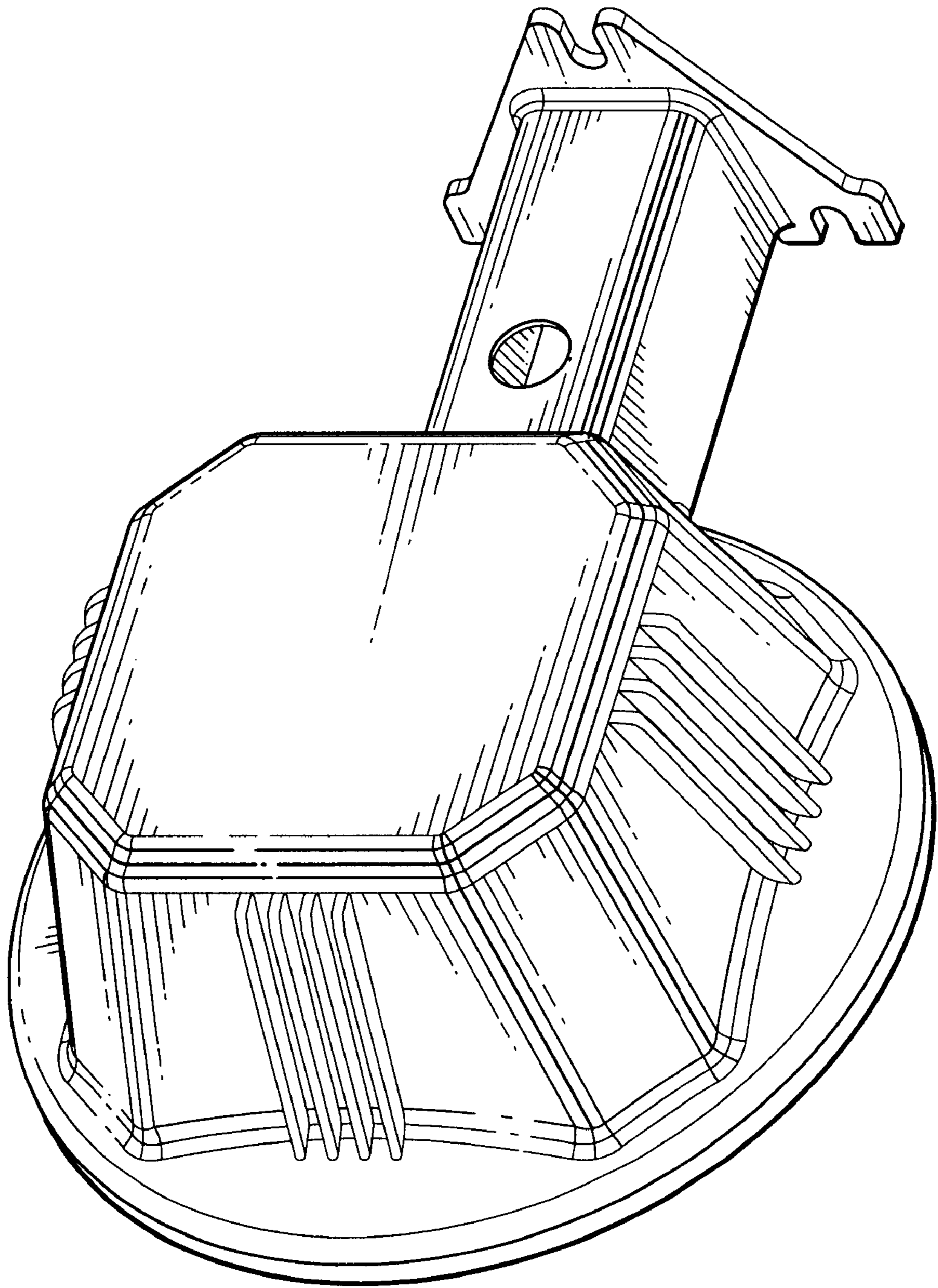


Fig. 7

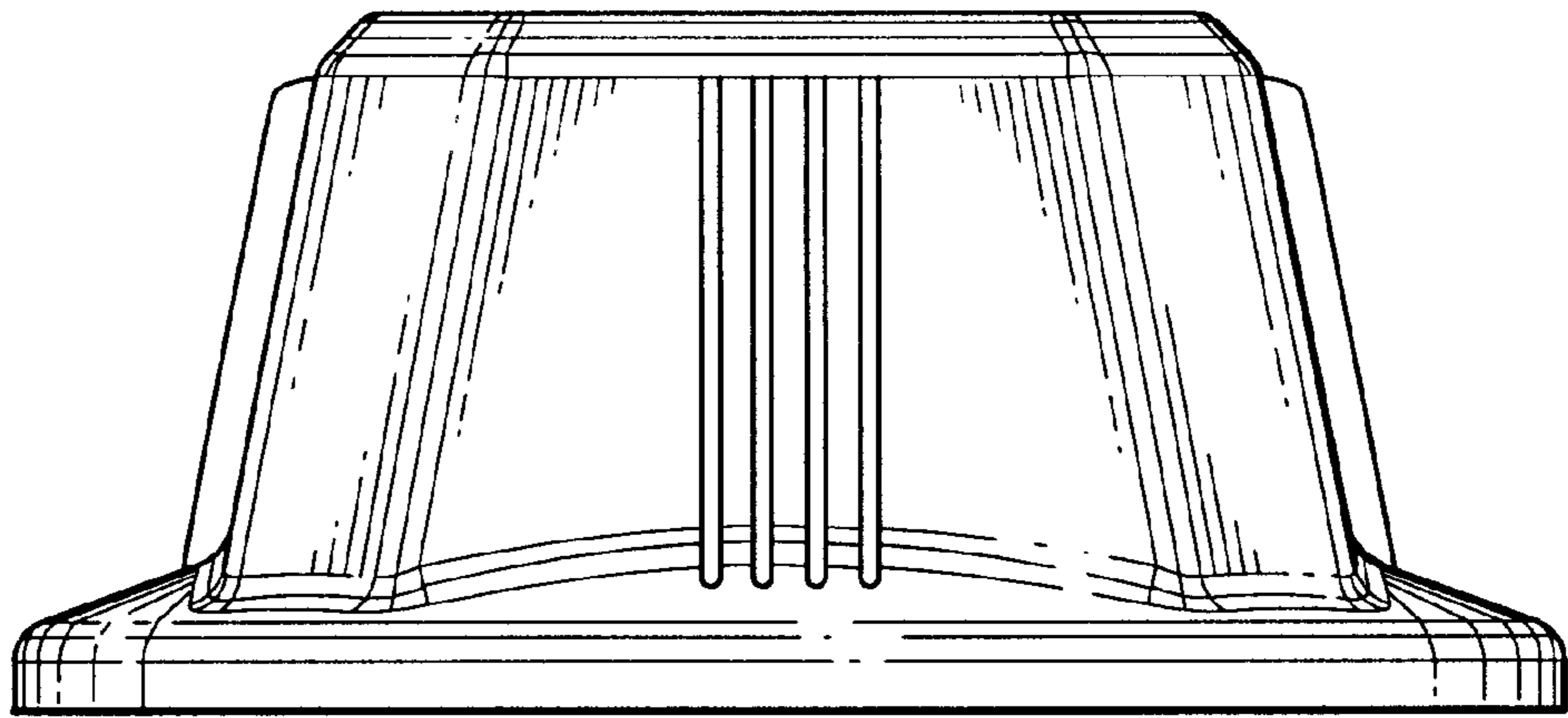


Fig. 8

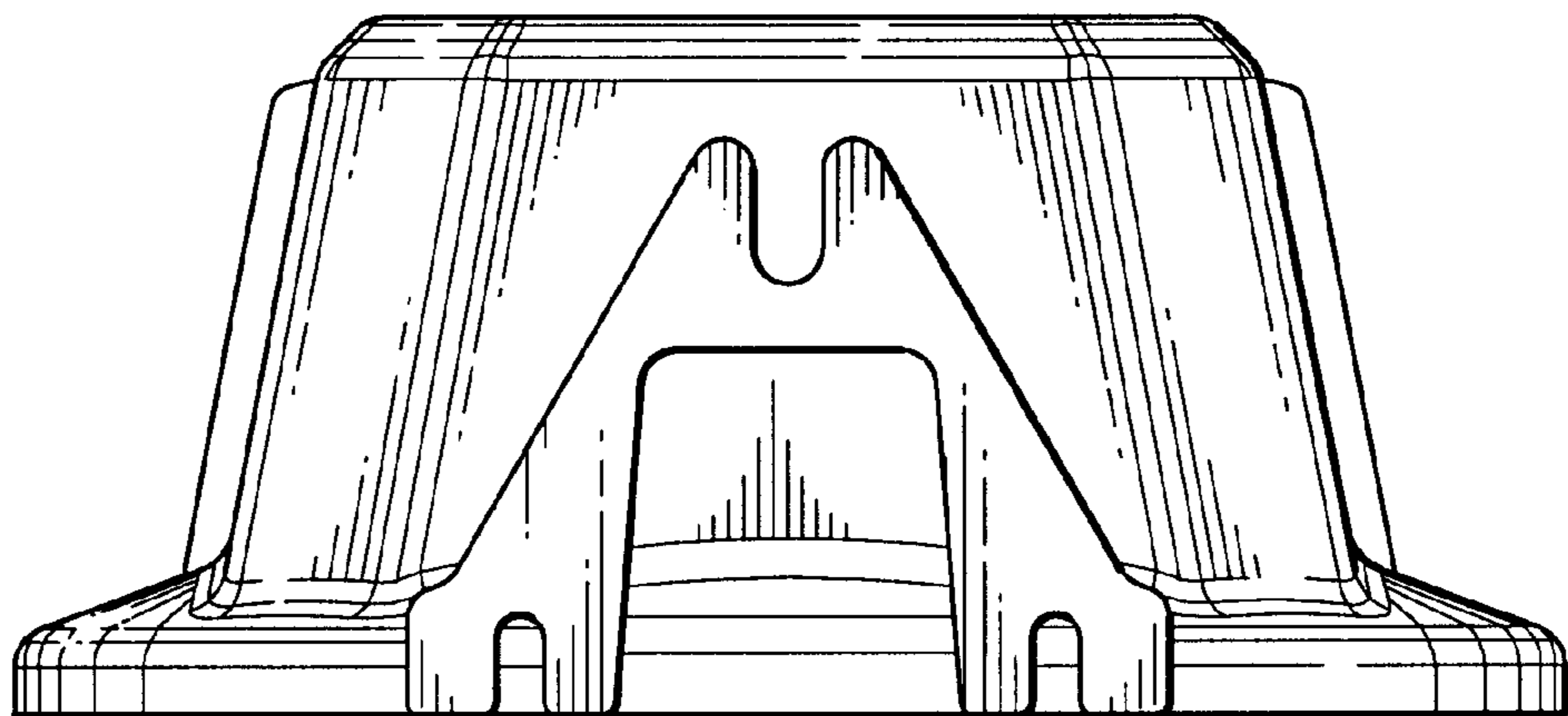


Fig. 9

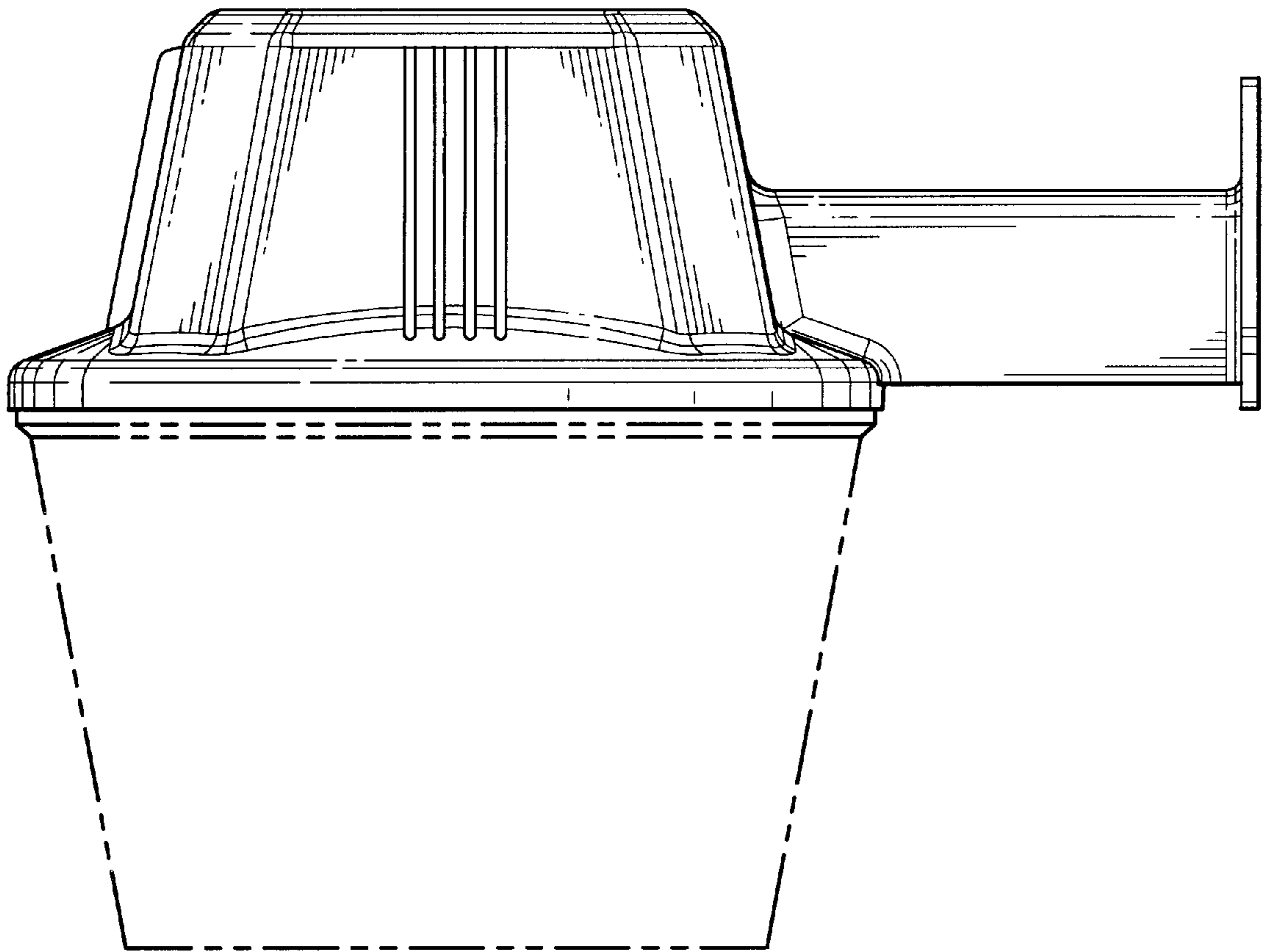


Fig. 10

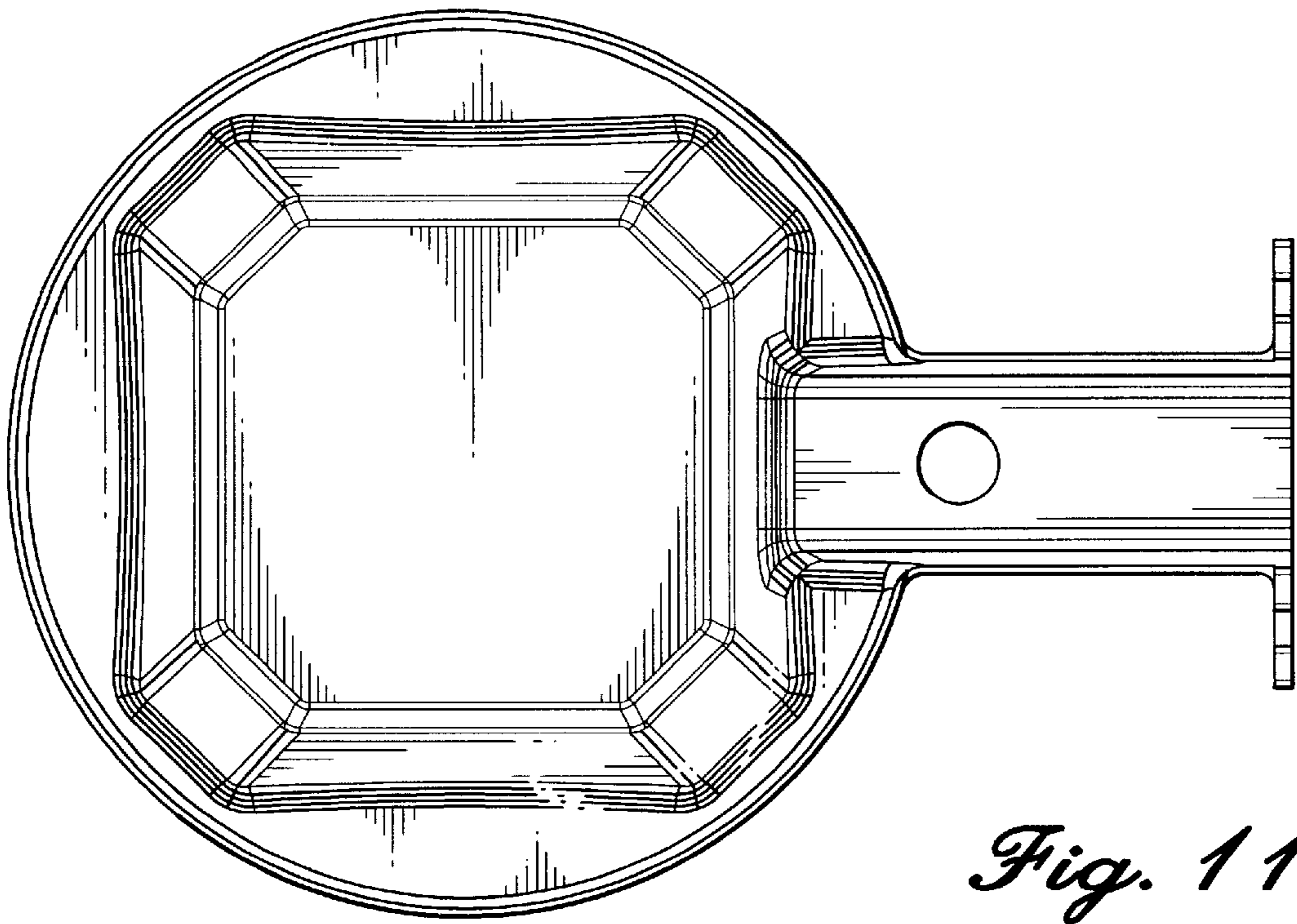


Fig. 11

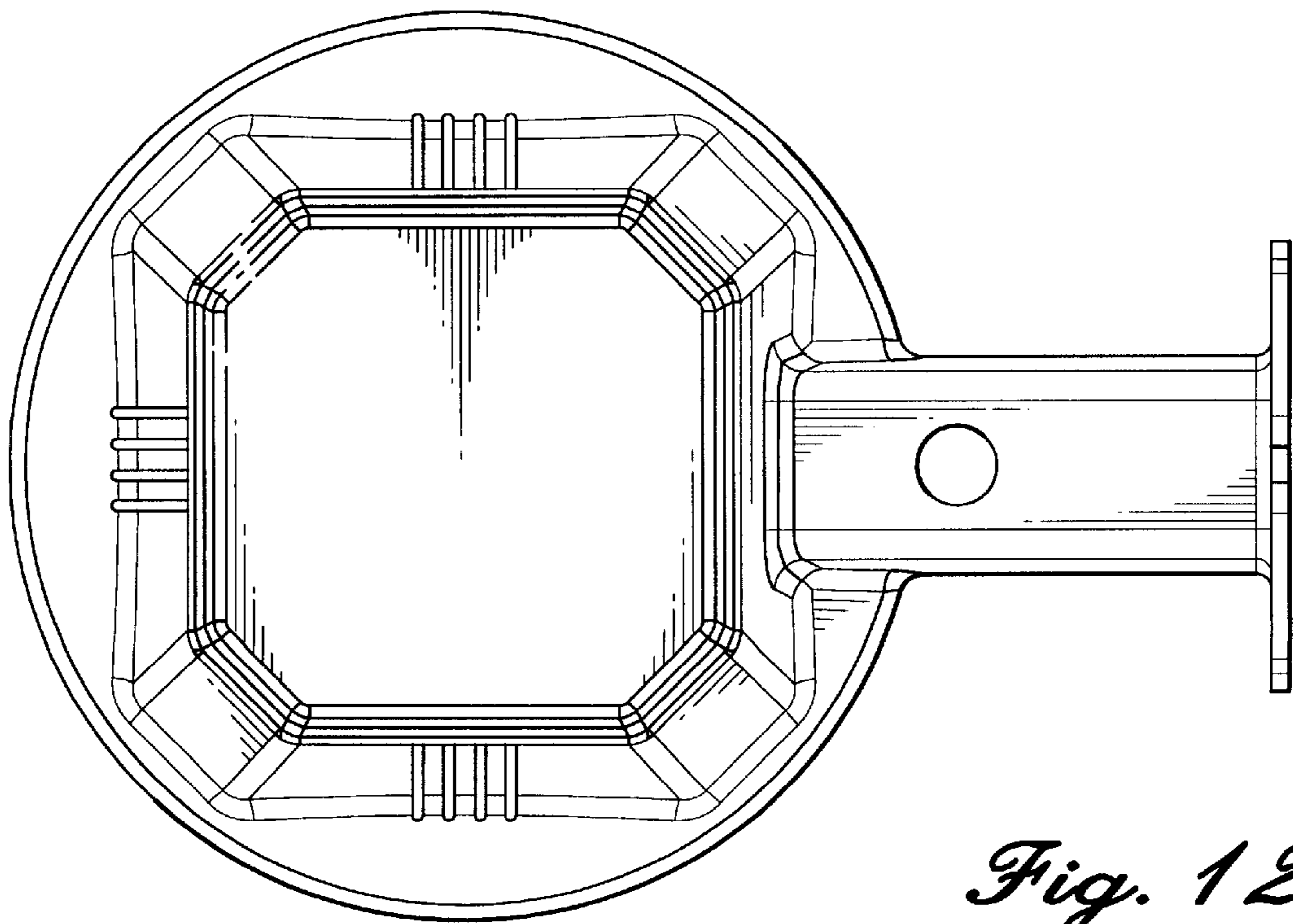


Fig. 12