



US00D424226S

United States Patent [19]
Petterson

[11] **Patent Number: Des. 424,226**

[45] **Date of Patent: ** May 2, 2000**

[54] **FLASHLIGHT**

D. 411,023 6/1999 Yau D26/49

[76] **Inventor: Tor Petterson**, 31248 Palos Verdes Dr.
West, Rancho Palos Verdes, Calif.
90275

Primary Examiner—Marcus A. Jackson
Attorney, Agent, or Firm—Shedon & Mak; Denton L.
Anderson

[**] **Term: 14 Years**

[57] **CLAIM**

[21] **Appl. No.: 29/112,468**

The ornamental design for a flashlight, as shown and described.

[22] **Filed: Oct. 19, 1999**

DESCRIPTION

[51] **LOC (7) Cl. 26-02**

[52] **U.S. Cl. D26/49**

[58] **Field of Search** D26/37-50; 362/157,
362/158, 183-208

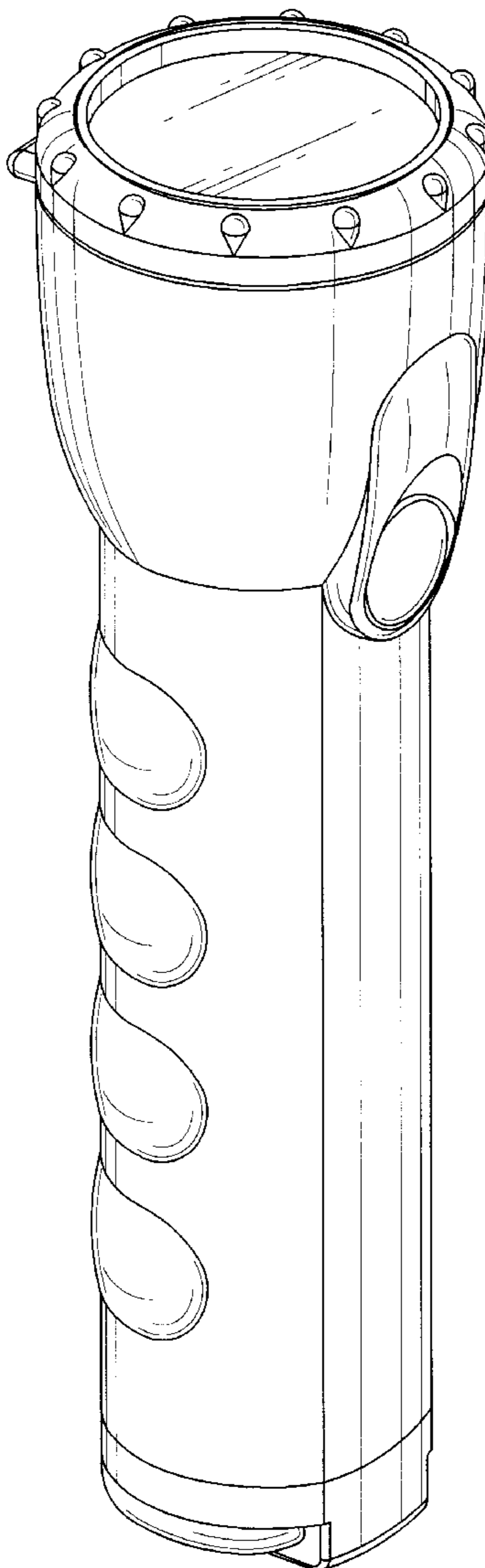
FIG. 1 is a bottom view of the flashlight of the invention;
FIG. 2 is a side view of the flashlight of FIG. 1;
FIG. 3 is a top view of the flashlight of FIG. 1;
FIG. 4 is a front view of the flashlight of FIG. 1;
FIG. 5 is an end view of the flashlight of FIG. 1;
FIG. 6 is an isometric top/side view looking down rearward
of the flashlight of FIG. 1; and,
FIG. 7 is an isometric bottom/side view looking forward of
the flashlight of FIG. 1.

[56] **References Cited**

U.S. PATENT DOCUMENTS

- D. 363,564 10/1995 Kish et al. D26/49
- D. 395,719 6/1998 Concari D26/49
- D. 408,090 4/1999 Monteleone et al. D26/49

1 Claim, 3 Drawing Sheets



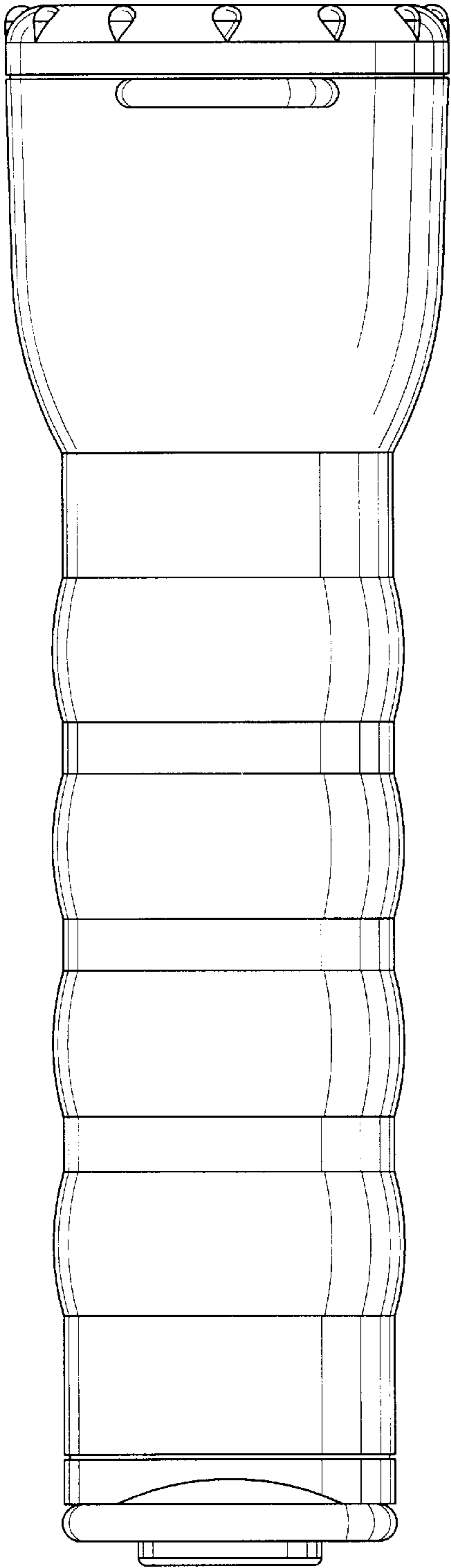


FIG. 1

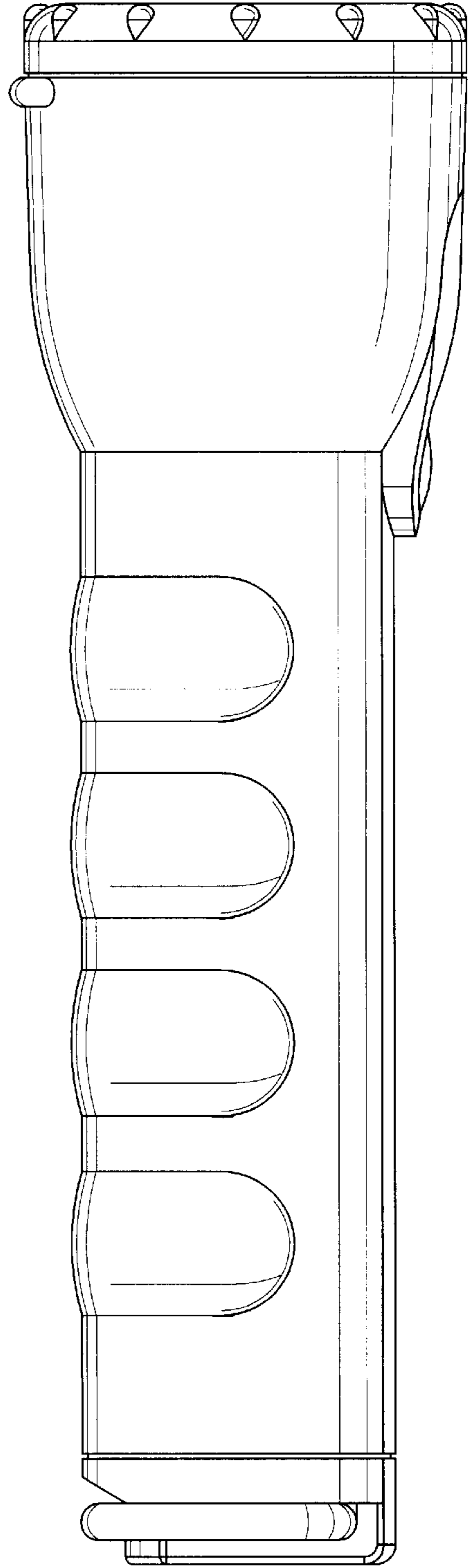


FIG. 2

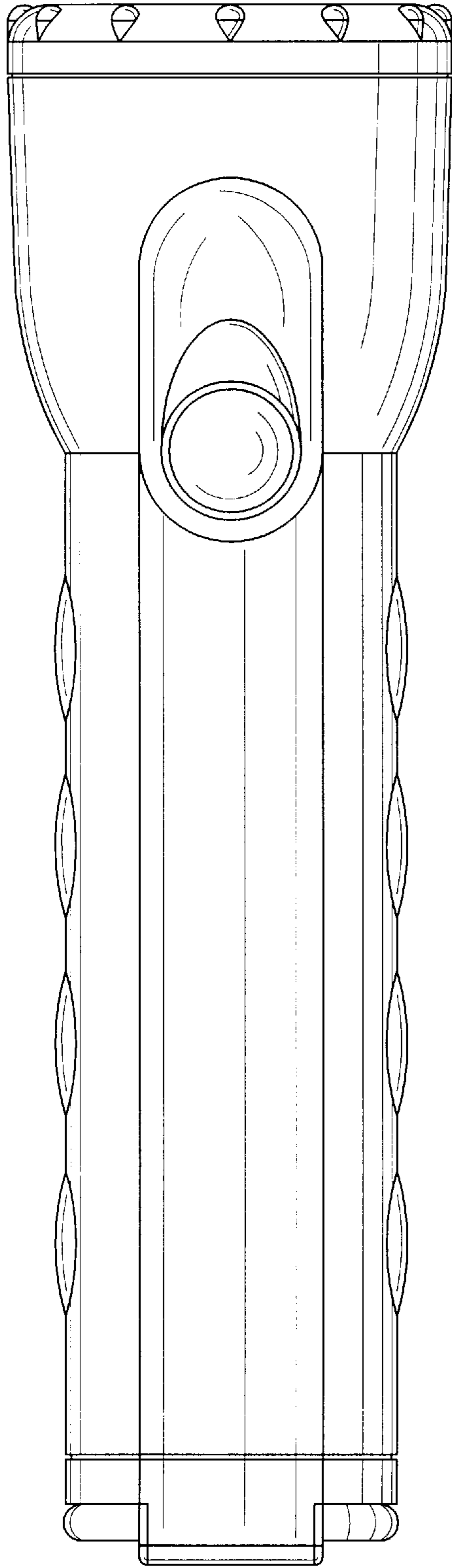


FIG. 3

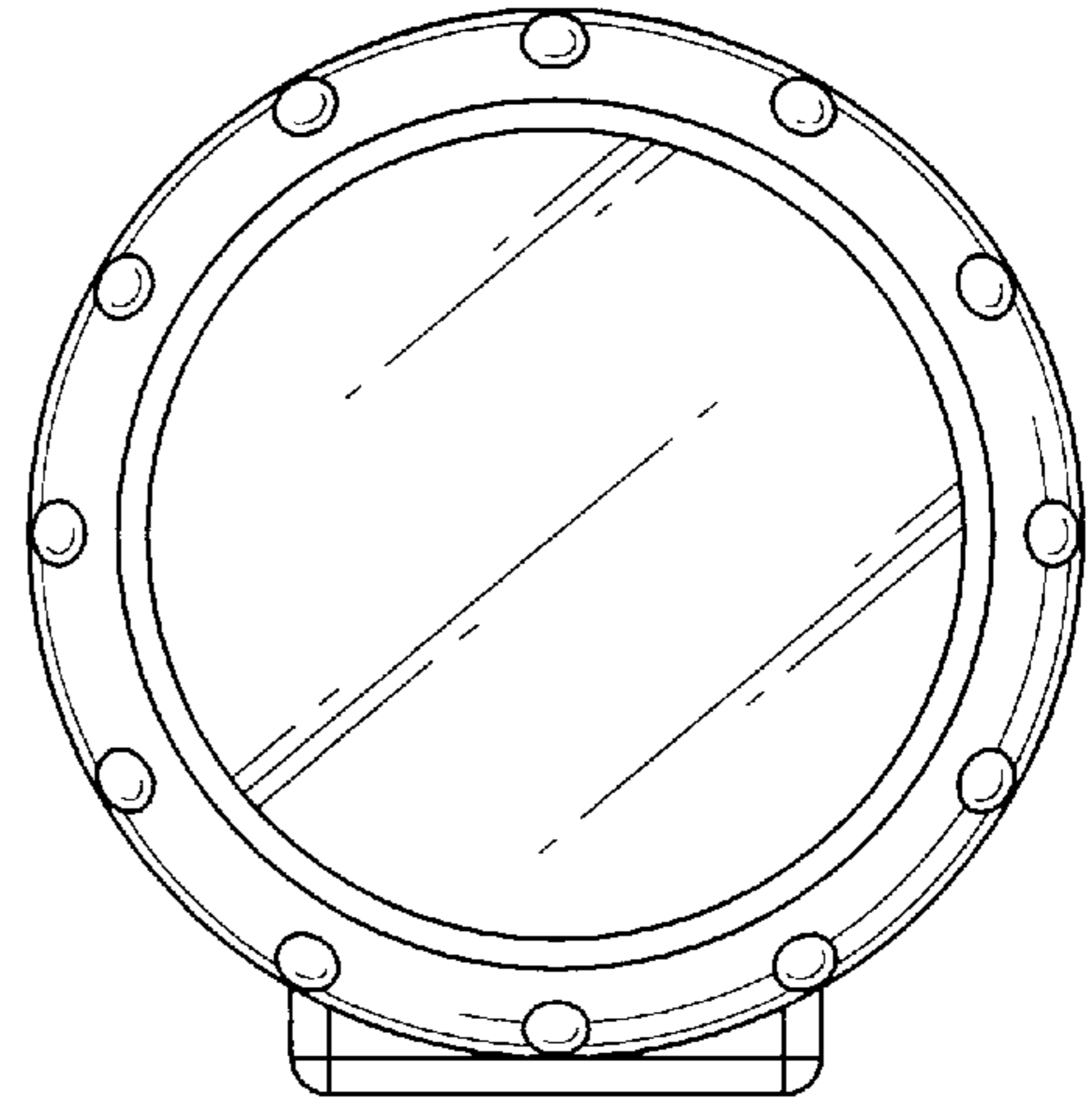


FIG. 4

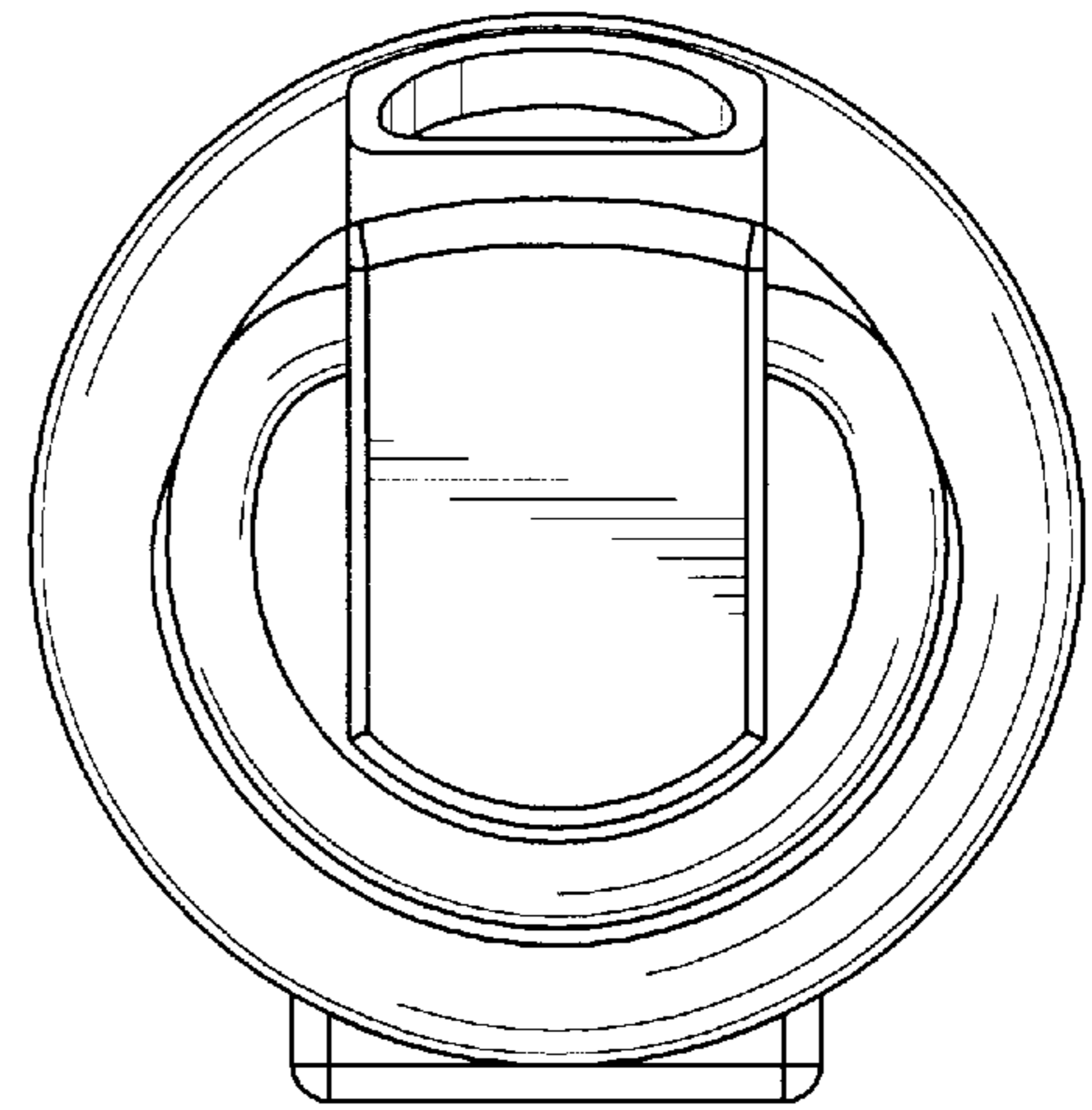


FIG. 5

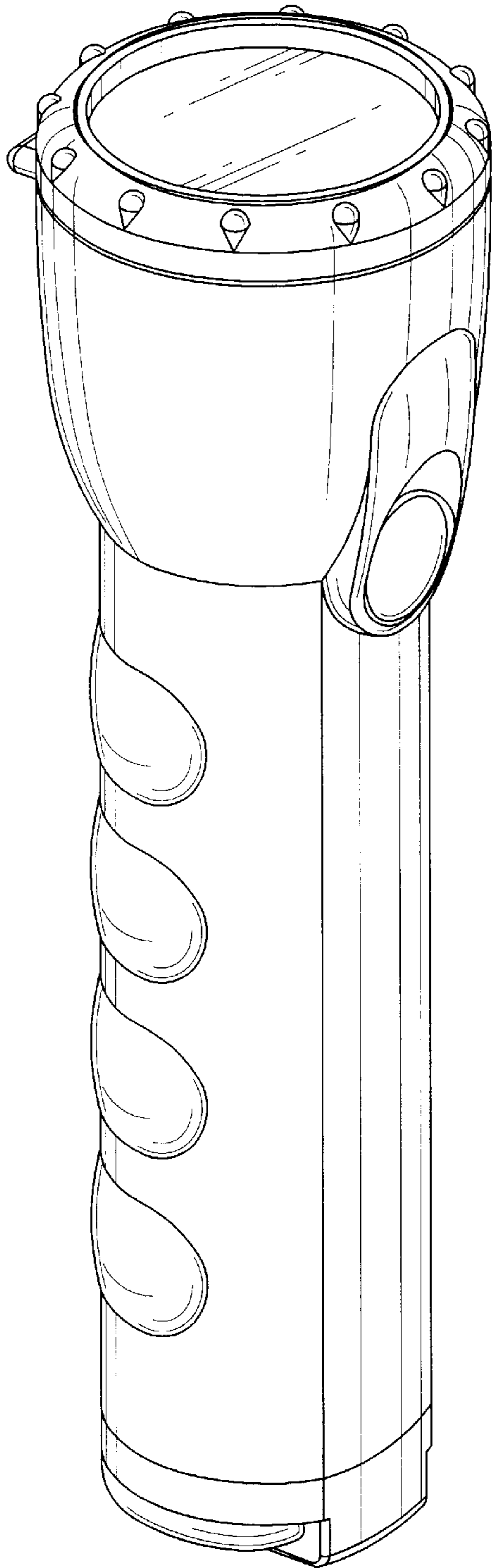


FIG. 6

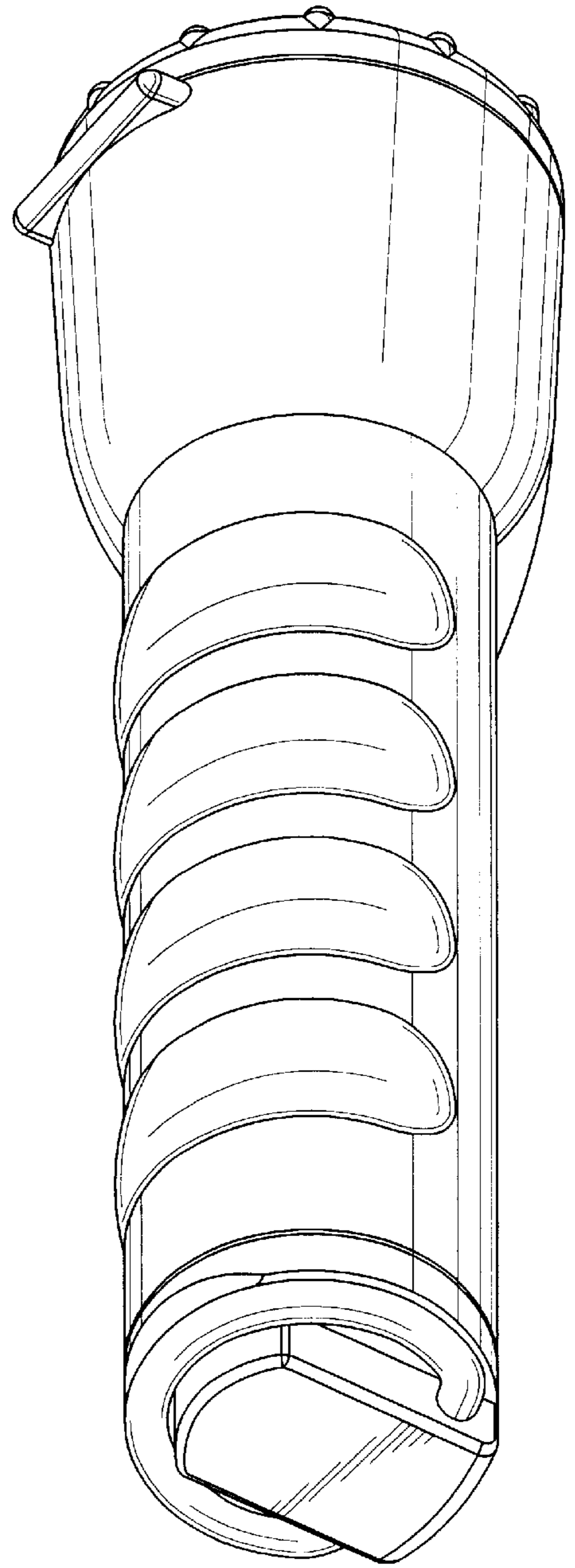


FIG. 7