



US00D424221S

United States Patent [19] Cheng

[11] **Patent Number: Des. 424,221**

[45] **Date of Patent: ** May 2, 2000**

[54] **AUTOMOBILE CEILING LIGHT**

D. 412,370 7/1999 Cece D26/28

[76] Inventor: **Jung-Chen Wang Cheng**, 12th Fl., No. 168, Fu Hsing N. Rd., Taipei, Taiwan

Primary Examiner—Marcus A. Jackson
Attorney, Agent, or Firm—Bacon & Thomas, PLLC

[**] Term: **14 Years**

[57] **CLAIM**

[21] Appl. No.: **29/110,639**

The ornamental design for an automobile ceiling light, as shown.

[22] Filed: **Sep. 10, 1999**

DESCRIPTION

[51] **LOC (7) Cl.** **26-06**

[52] **U.S. Cl.** **D26/28**

[58] **Field of Search** D26/28-36, 72, D26/85, 87; 362/61, 74, 80, 80.1, 83, 83.2, 147, 216, 217, 220, 222, 223, 404, 432

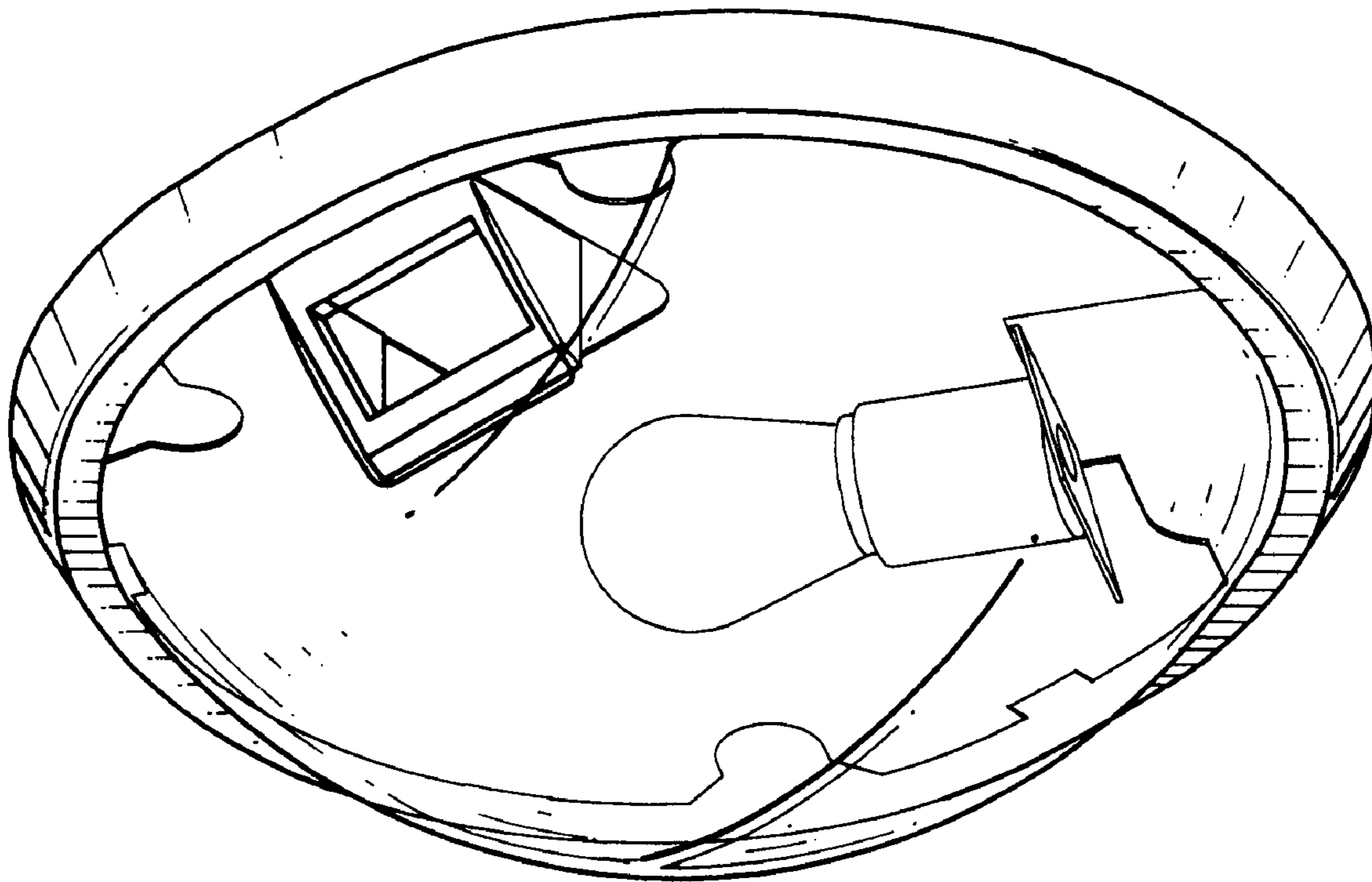
FIG. 1 is a front-right-bottom perspective view of an automobile ceiling light, showing my new design; FIG. 2 is a front elevational view thereof; FIG. 3 is a rear elevational view thereof; FIG. 4 is a left elevational view thereof; FIG. 5 is a right elevational view thereof; FIG. 6 is top plan view thereof; and, FIG. 7 is a bottom plan view thereof.

[56] **References Cited**

U.S. PATENT DOCUMENTS

- D. 376,437 12/1996 Harlo et al. D26/28
- D. 388,894 1/1998 Yeh D26/28

1 Claim, 3 Drawing Sheets



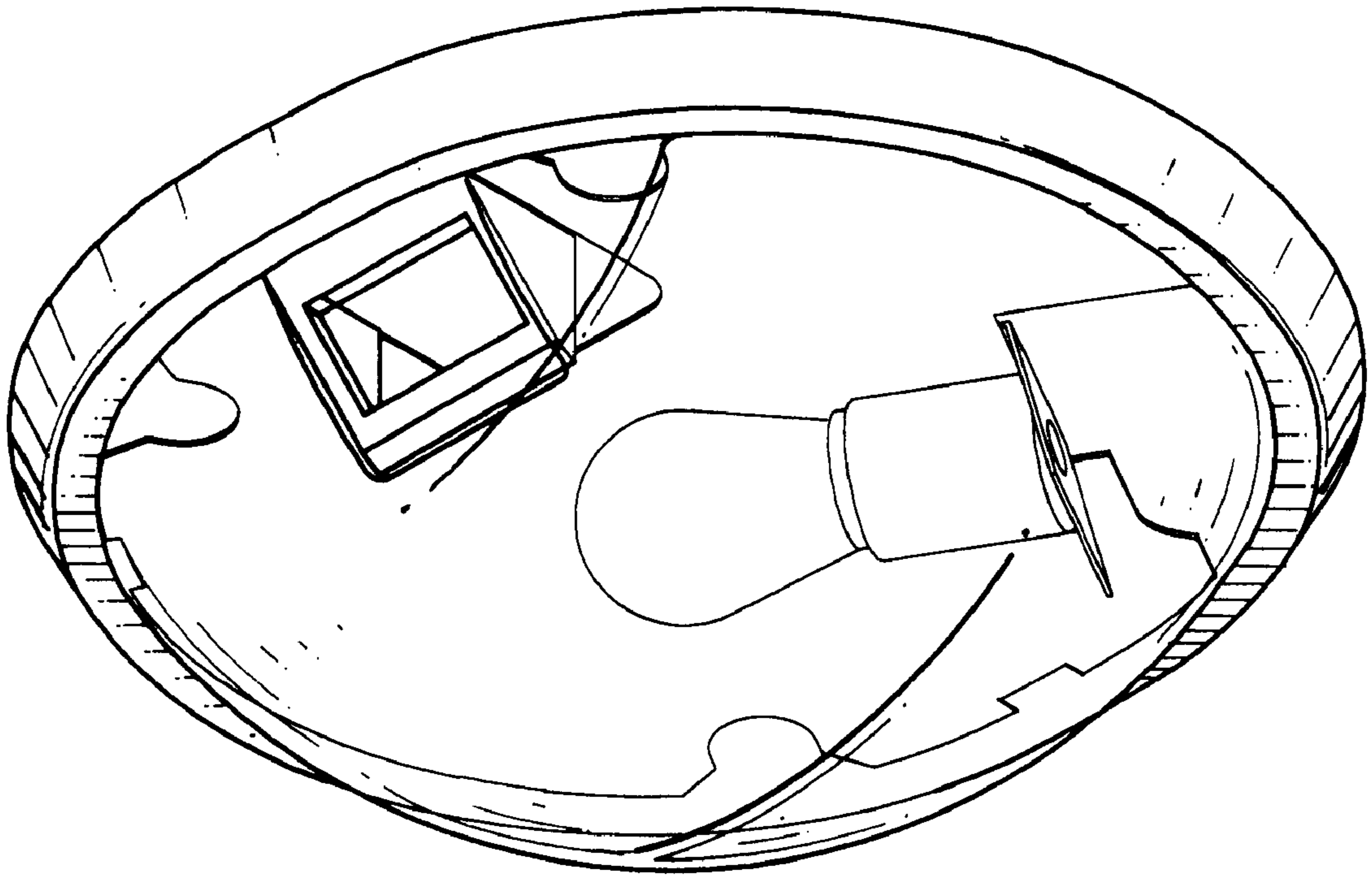


FIG. 1

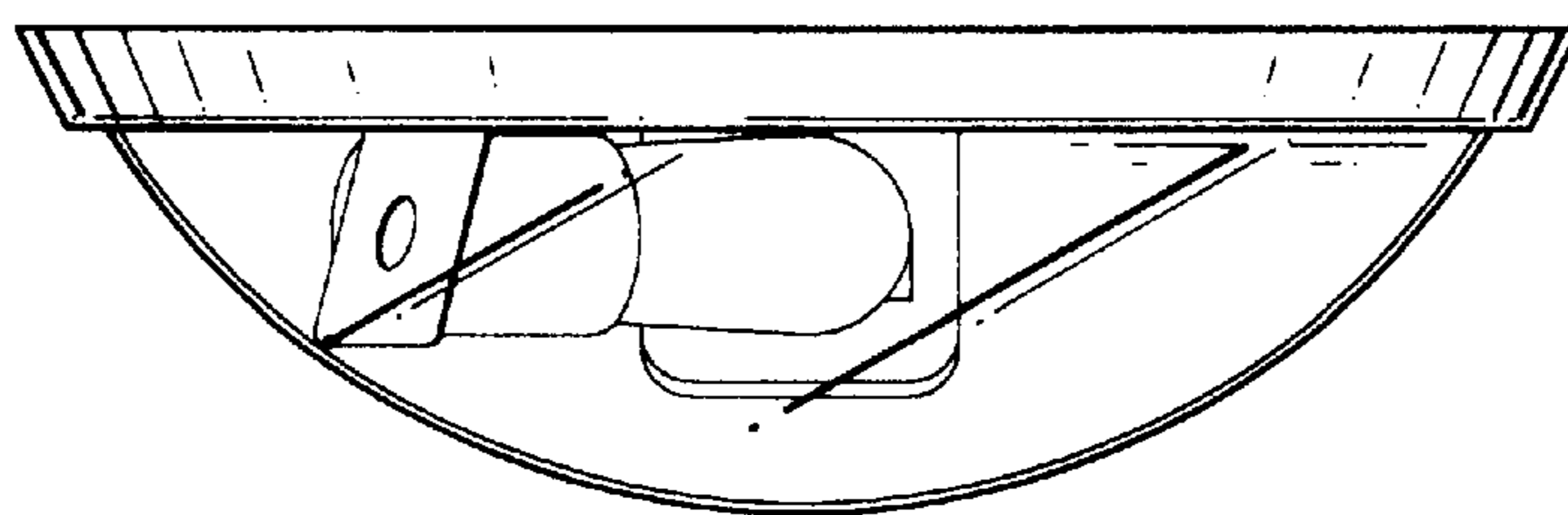


FIG. 3

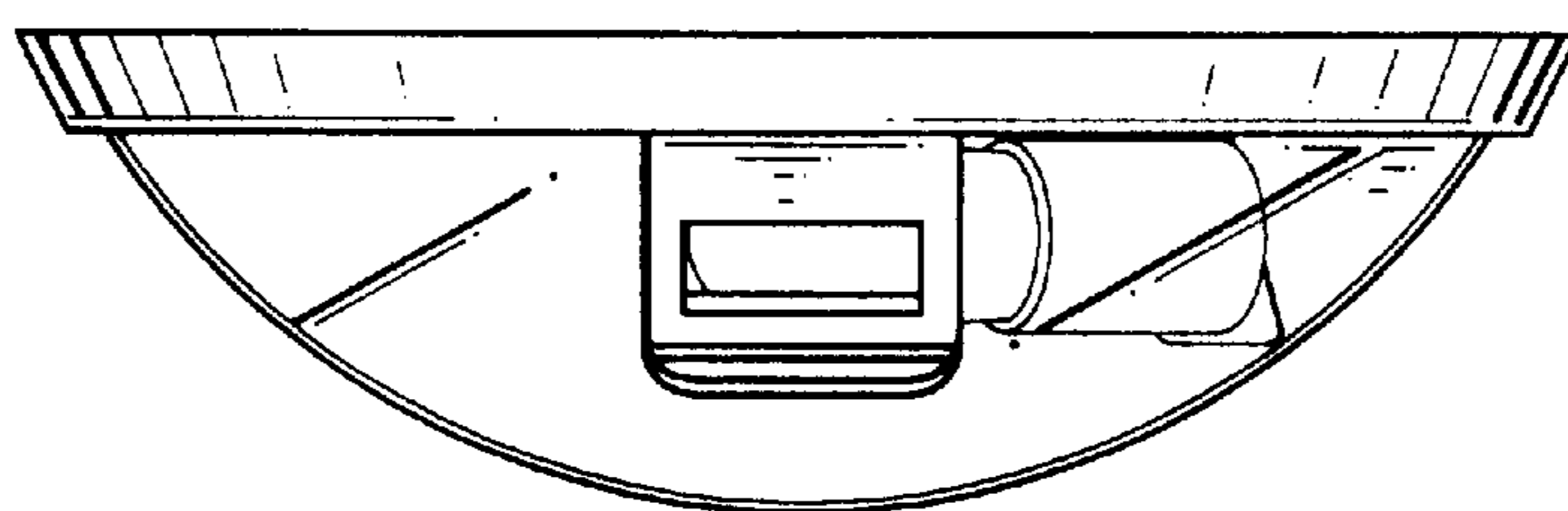


FIG. 2

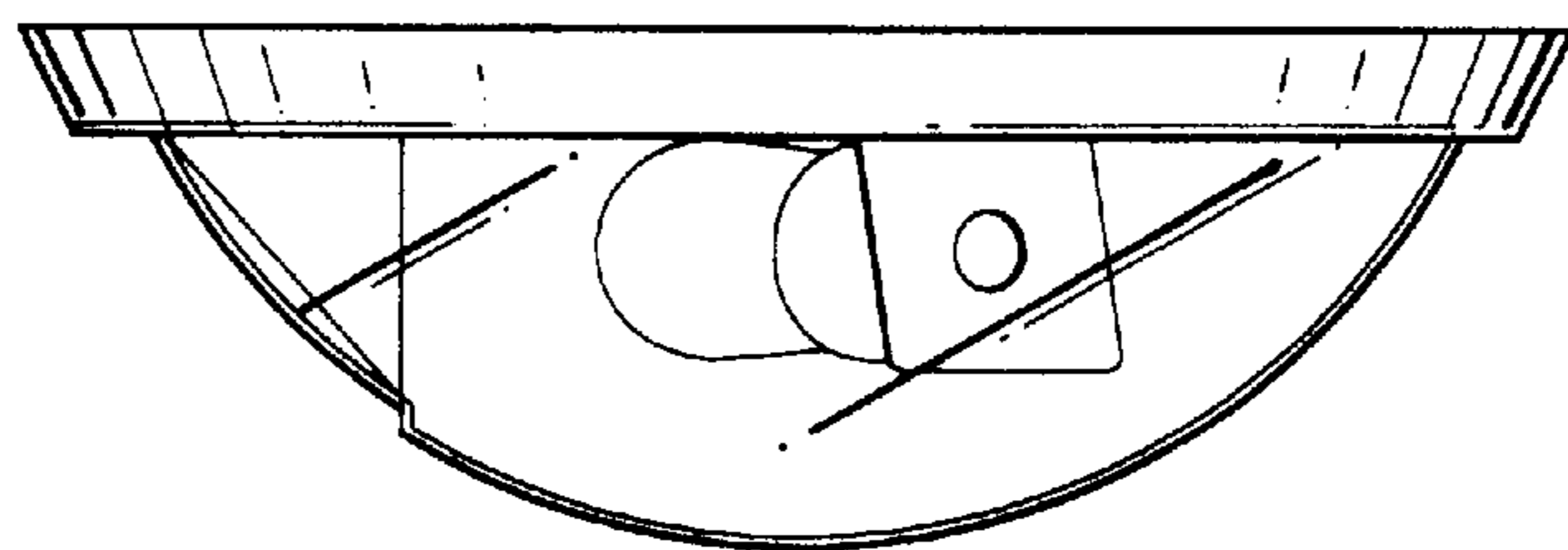


FIG. 5

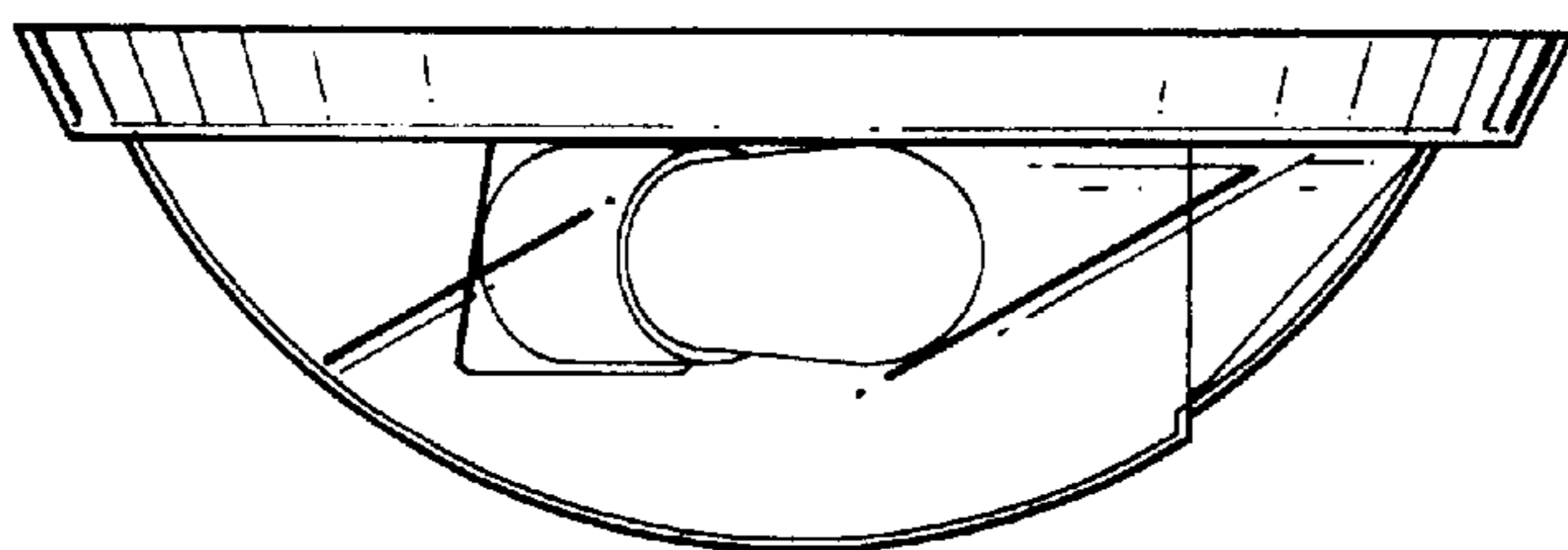


FIG. 4

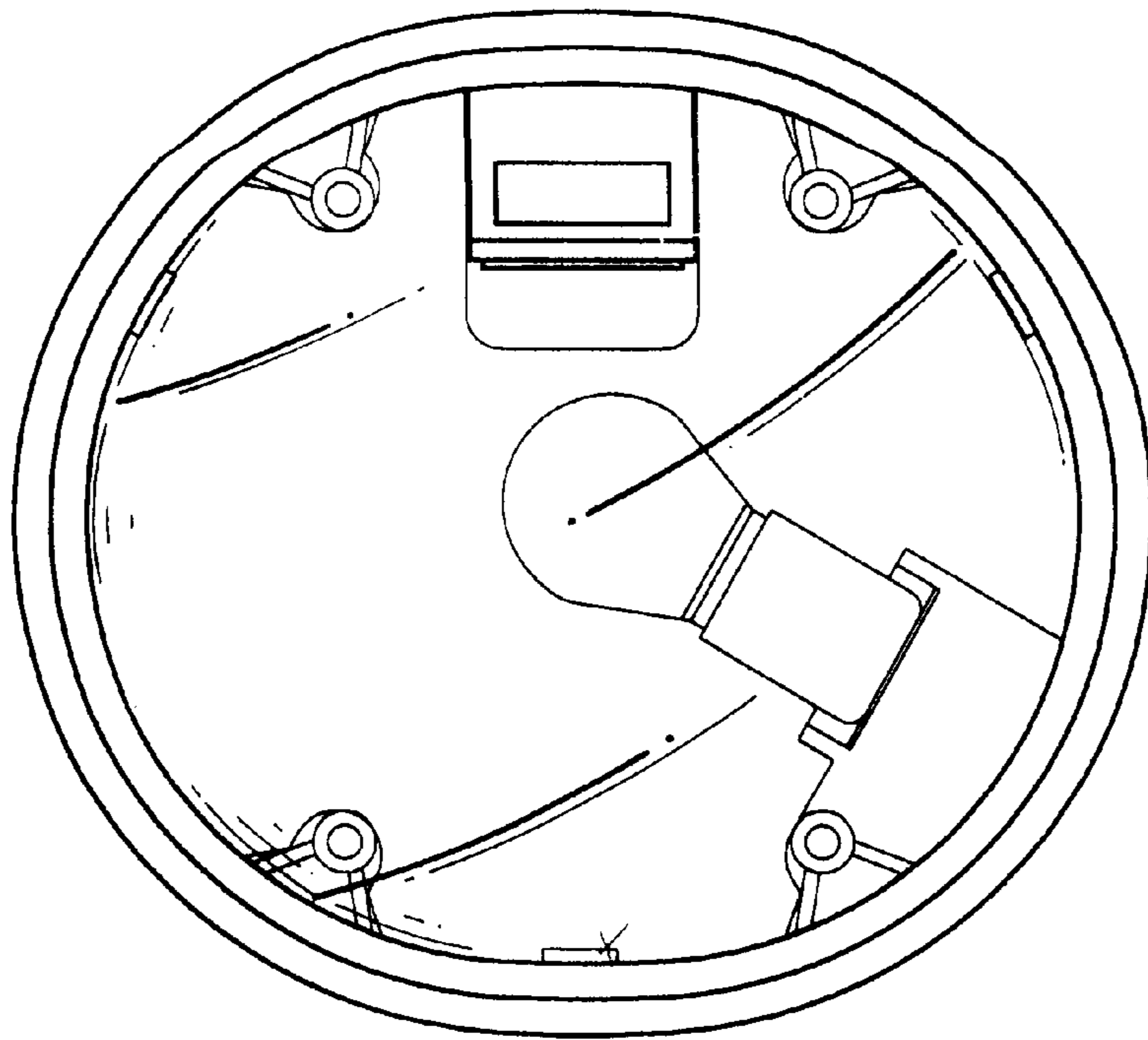


FIG. 7

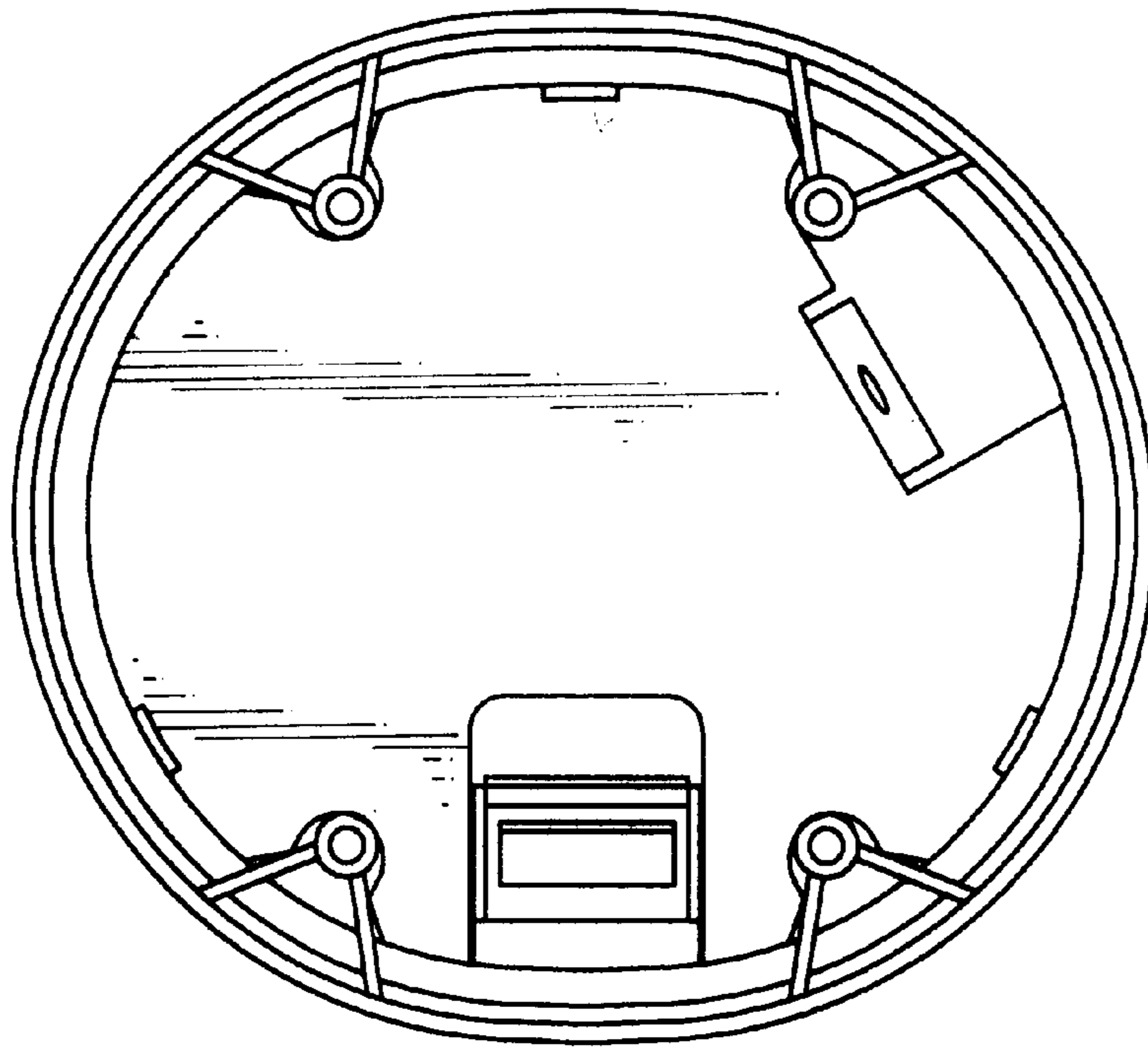


FIG. 6