



US00D424218S

# United States Patent [19]

Yu

[11] **Patent Number: Des. 424,218**

[45] **Date of Patent: \*\* May 2, 2000**

[54] **LIGHT BULB**

D. 415,293 10/1999 Kato et al. .... D26/2

[76] Inventor: **Jack Yu**, No. 109-1, Avenue 6, Lane 164, Tzong Sa Road, Da Du Hsiang, Taichung Hsien, Taiwan

*Primary Examiner*—Marcus A. Jackson  
*Attorney, Agent, or Firm*—Charles E. Baxley, Esq.

[\*\*] Term: **14 Years**

[57] **CLAIM**

The ornamental design for a light bulb, as shown and described.

[21] Appl. No.: **29/107,220**

[22] Filed: **Jul. 1, 1999**

**DESCRIPTION**

[51] **LOC (7) Cl.** ..... **26-04**

[52] **U.S. Cl.** ..... **D26/2**

[58] **Field of Search** ..... D26/1, 2, 3, 4,  
D26/26; 313/313, 315, 318, 493; 315/52,  
53, 56, 57

FIG. 1 is a perspective view of a light bulb showing my new design;

FIG. 2 is a front elevational view thereof, the rear elevational view thereof and left side elevational view thereof and the right side elevational view thereof being identical in appearance;

FIG. 3 is a top plan view thereof; and,

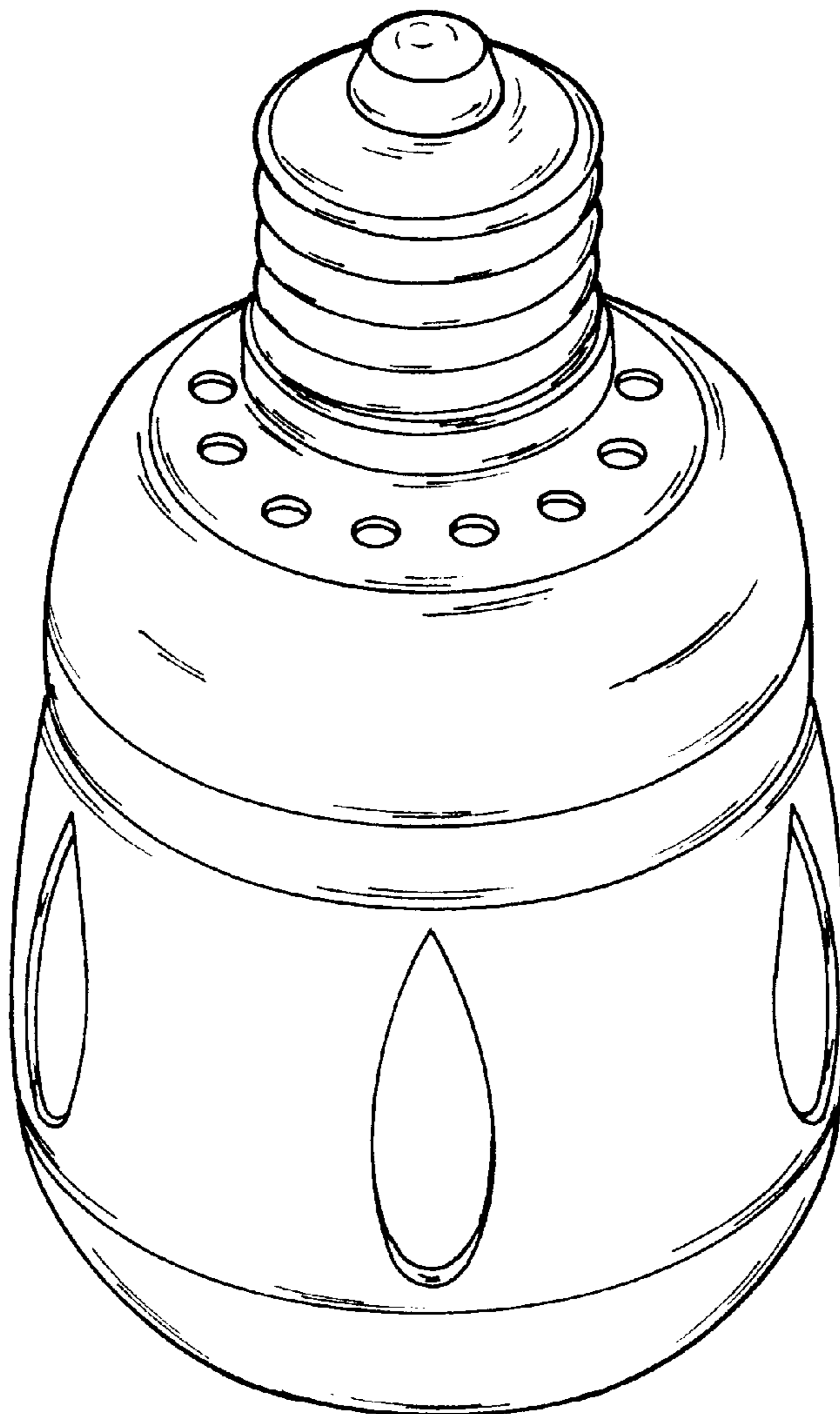
FIG. 4 is a bottom plan view thereof.

[56] **References Cited**

**U.S. PATENT DOCUMENTS**

D. 360,477 7/1995 Pelton et al. .... D26/2

**1 Claim, 2 Drawing Sheets**



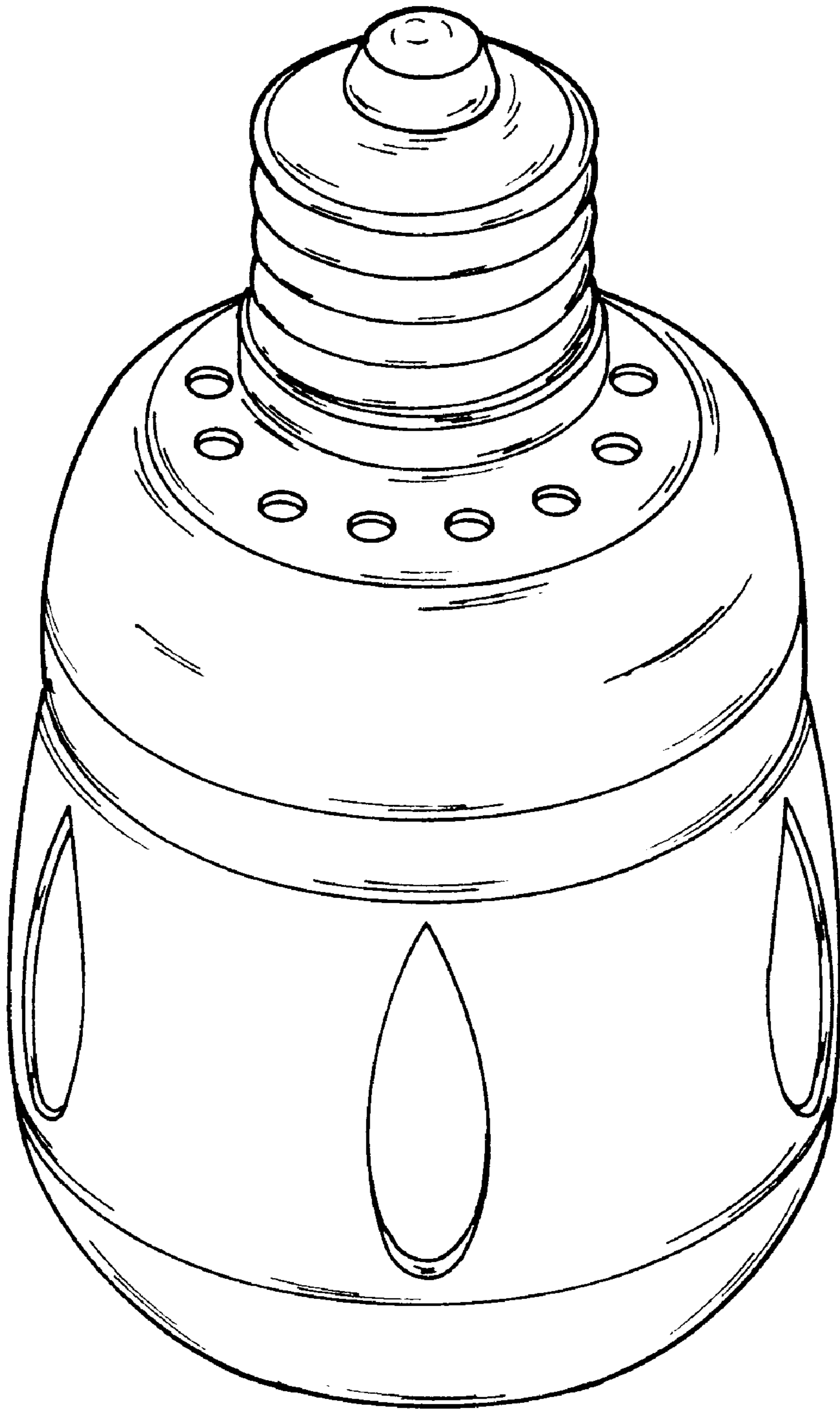


FIG. 1

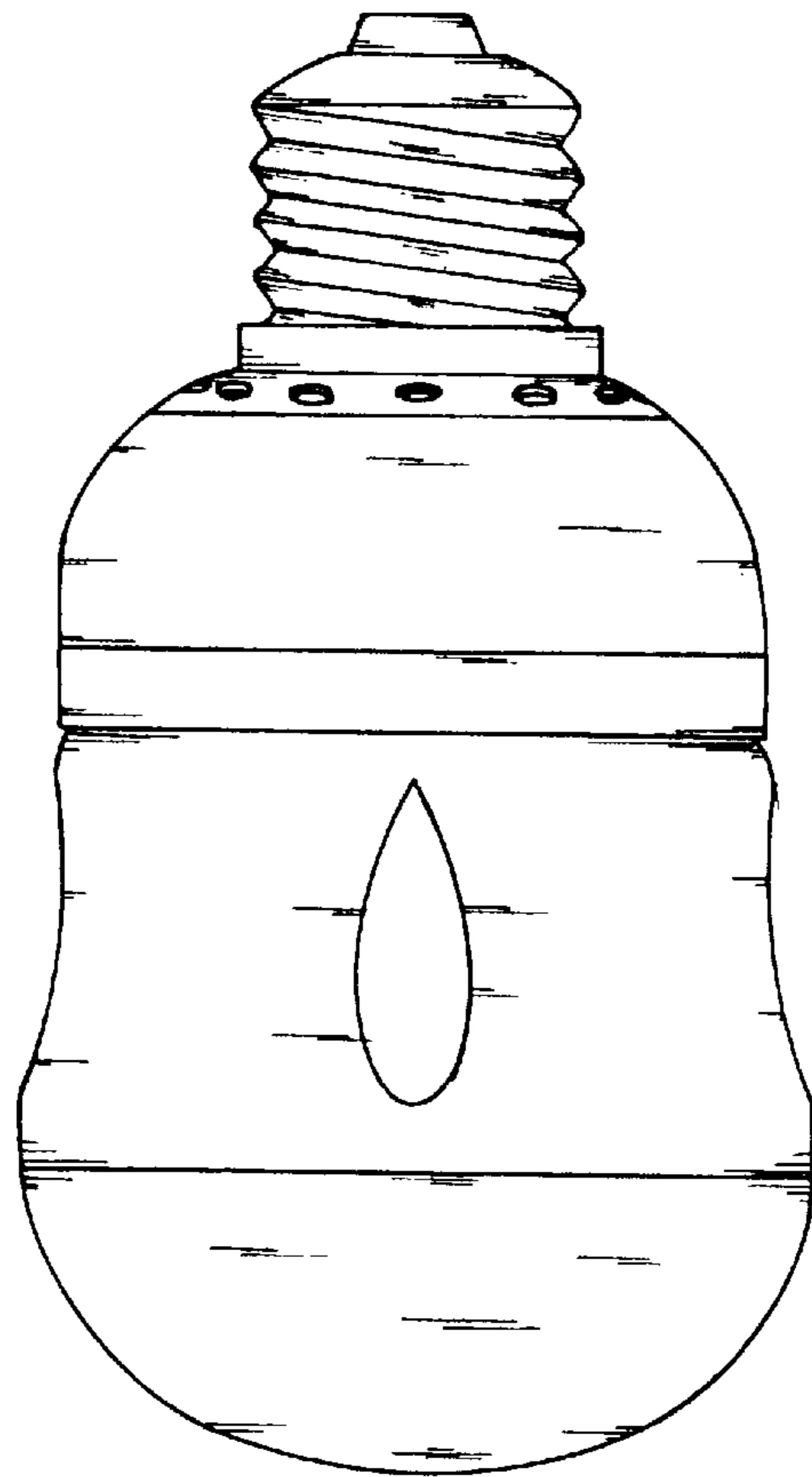


FIG. 2

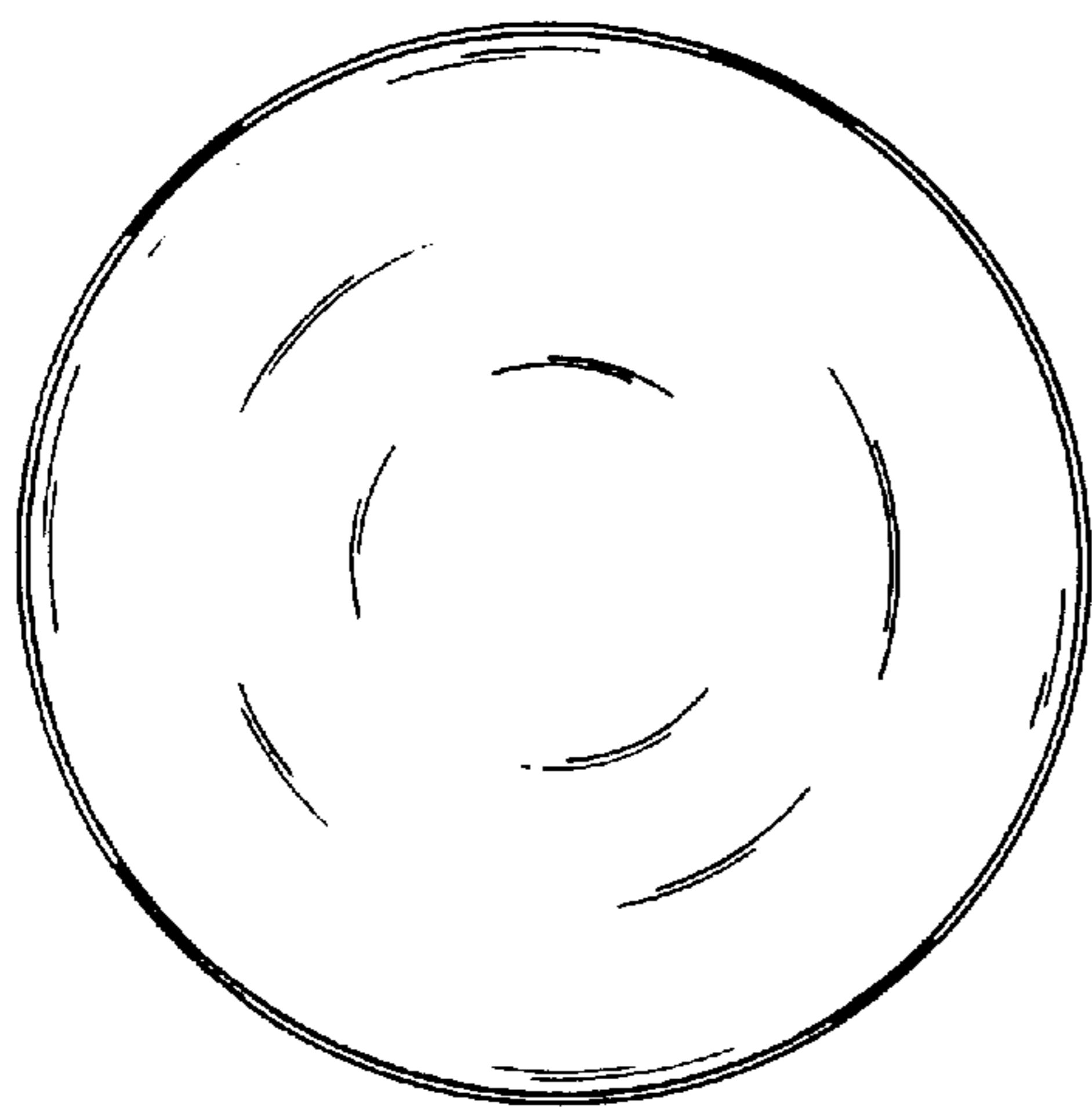


FIG. 4

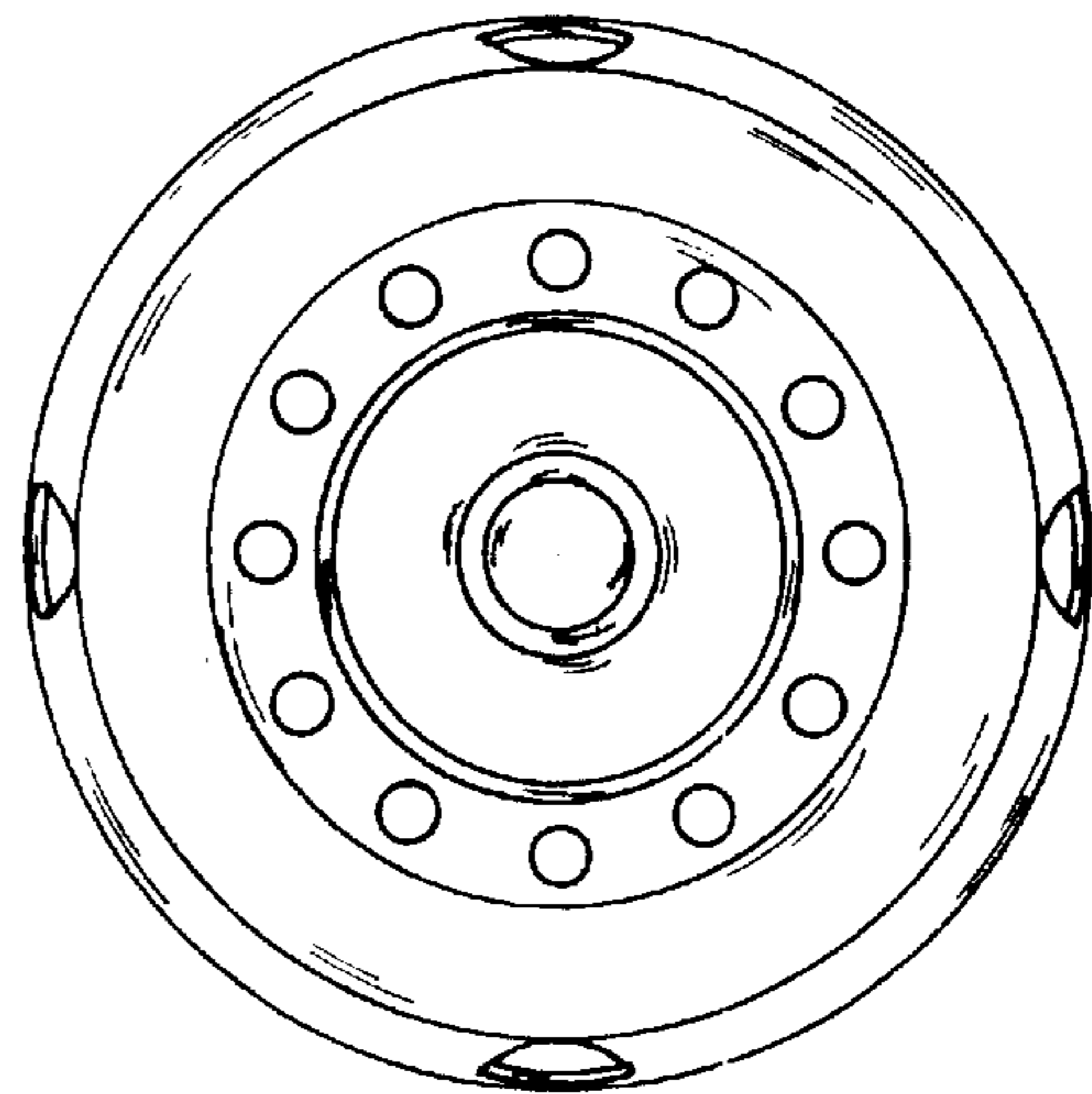


FIG. 3