



US00D424217S

United States Patent [19]
Beachy

[11] **Patent Number: Des. 424,217**
[45] **Date of Patent: ** May 2, 2000**

[54] **EXTRUDED POST**

[75] Inventor: **Andy Ray Beachy**, Nappanee, Ind.

[73] Assignee: **Hoosier Fence Company**, Nappanee, Ind.

[**] Term: **14 Years**

[21] Appl. No.: **29/102,008**

[22] Filed: **Mar. 16, 1999**

[51] **LOC (7) Cl.** **25-01**

[52] **U.S. Cl.** **D25/126**

[58] **Field of Search** D25/126, 128;
52/2.21, 300, 301, 737.1, 737.6, 736.1,
720.2, 721.1, 260, 651.07

[56] **References Cited**

U.S. PATENT DOCUMENTS

D. 352,118	11/1994	Kipfmueller	D25/126
882,398	3/1908	Lupo	52/301
5,605,023	2/1997	Biernazki	52/301
5,692,351	12/1997	Morrison, III et al.	52/300

Primary Examiner—Doris Clark
Attorney, Agent, or Firm—Baker & Daniels

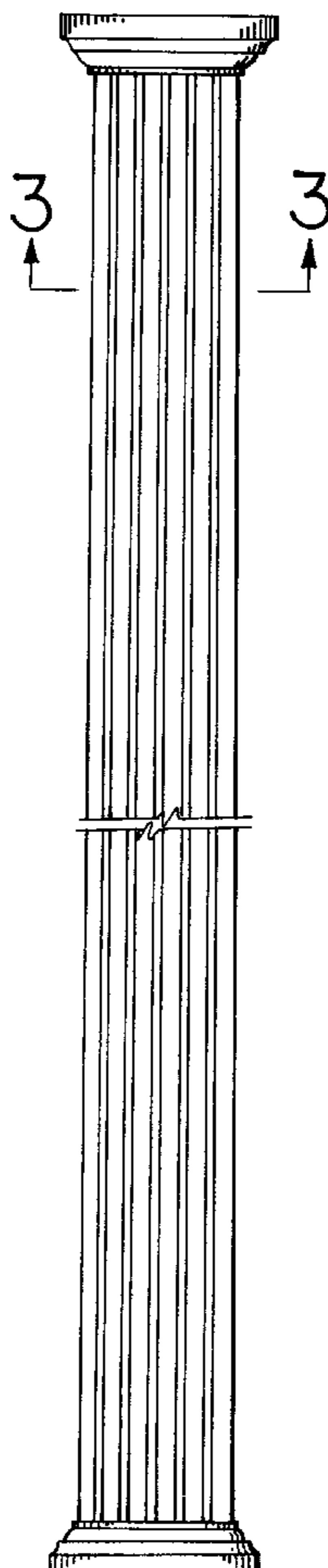
[57] **CLAIM**

I claim the ornamental design for an extruded post, as shown and described.

DESCRIPTION

FIG. 1 is a front elevational view of an extruded post showing my new design;
FIG. 2 is an exploded view thereof;
FIG. 3 is a cross sectional view taken along line 3—3 of FIG. 1;
FIG. 4 is a front elevational view of a second embodiment of an extruded post;
FIG. 5 is an exploded view thereof;
FIG. 6 is a cross sectional view taken along line 6—6 of FIG. 4;
FIG. 7 is a front elevational view of a third embodiment of an extruded post;
FIG. 8 is an exploded view thereof;
FIG. 9 is a cross sectional view taken along line 9—9 of FIG. 7;
FIG. 10 is an enlarged fragmentary side elevational view of a fourth embodiment illustrating the groove only that is adaptable to the posts of the first three embodiments; and,
FIG. 11 is an enlarged fragmentary side elevational view of a fifth embodiment illustrating the groove only that is adaptable to the posts first three embodiments.

1 Claim, 7 Drawing Sheets



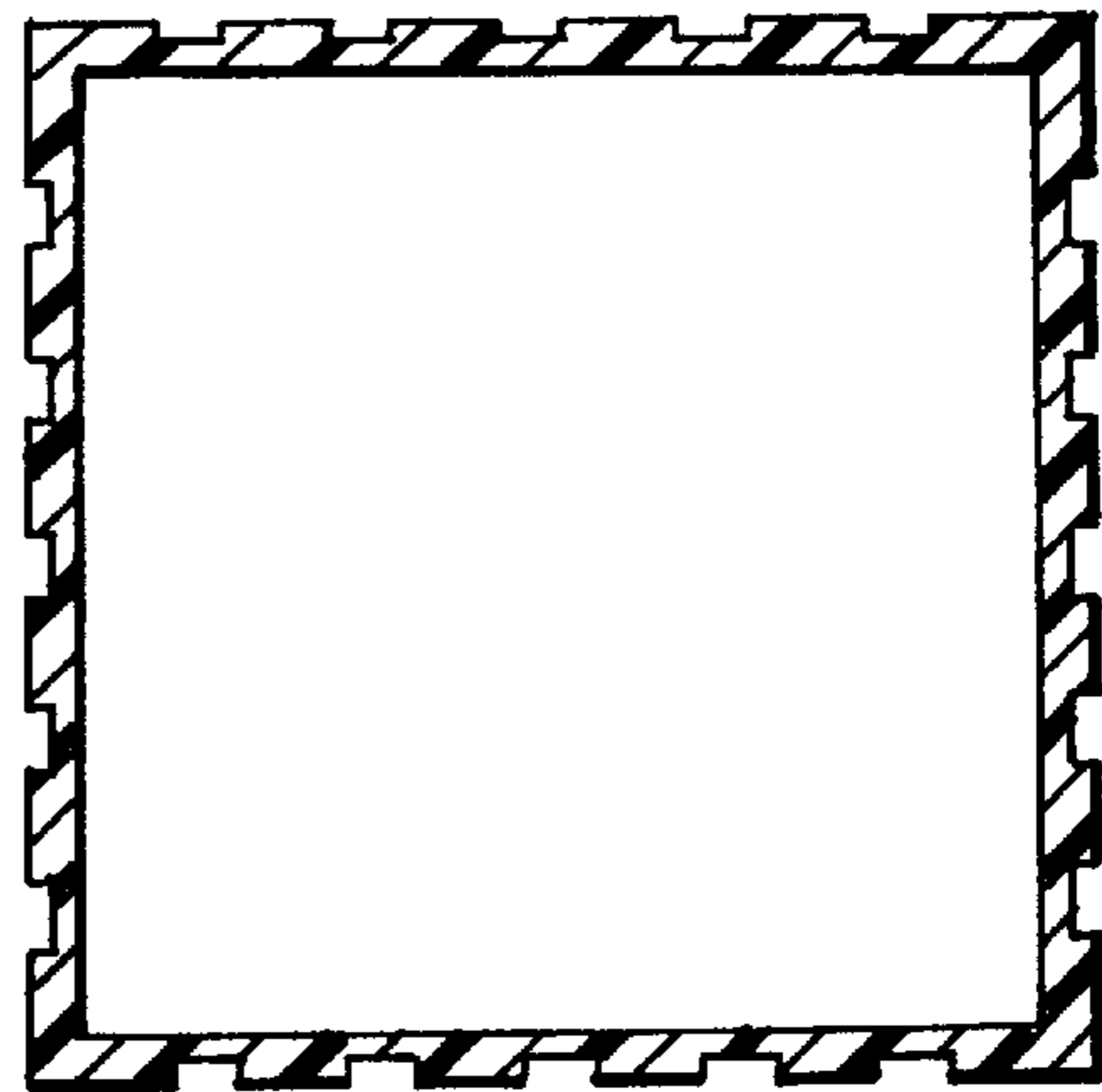
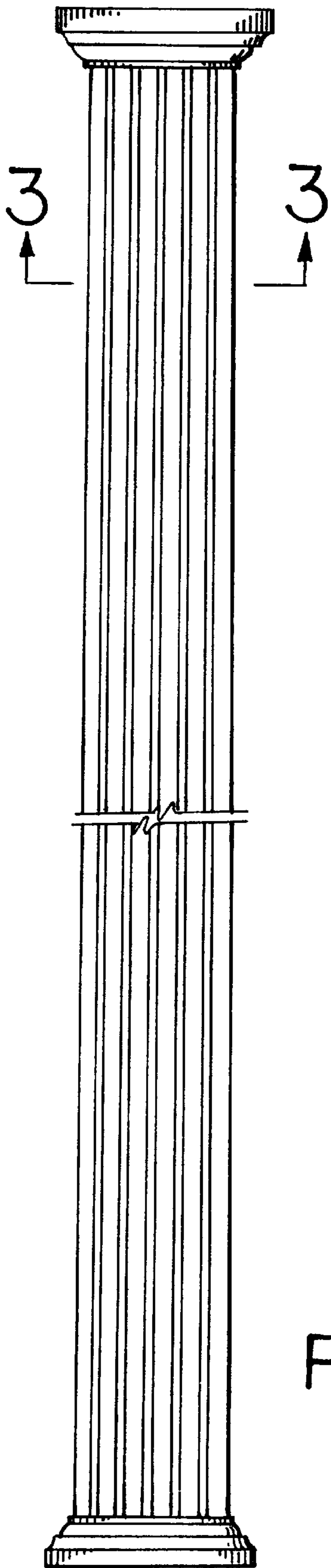


FIG. 3

FIG. 1

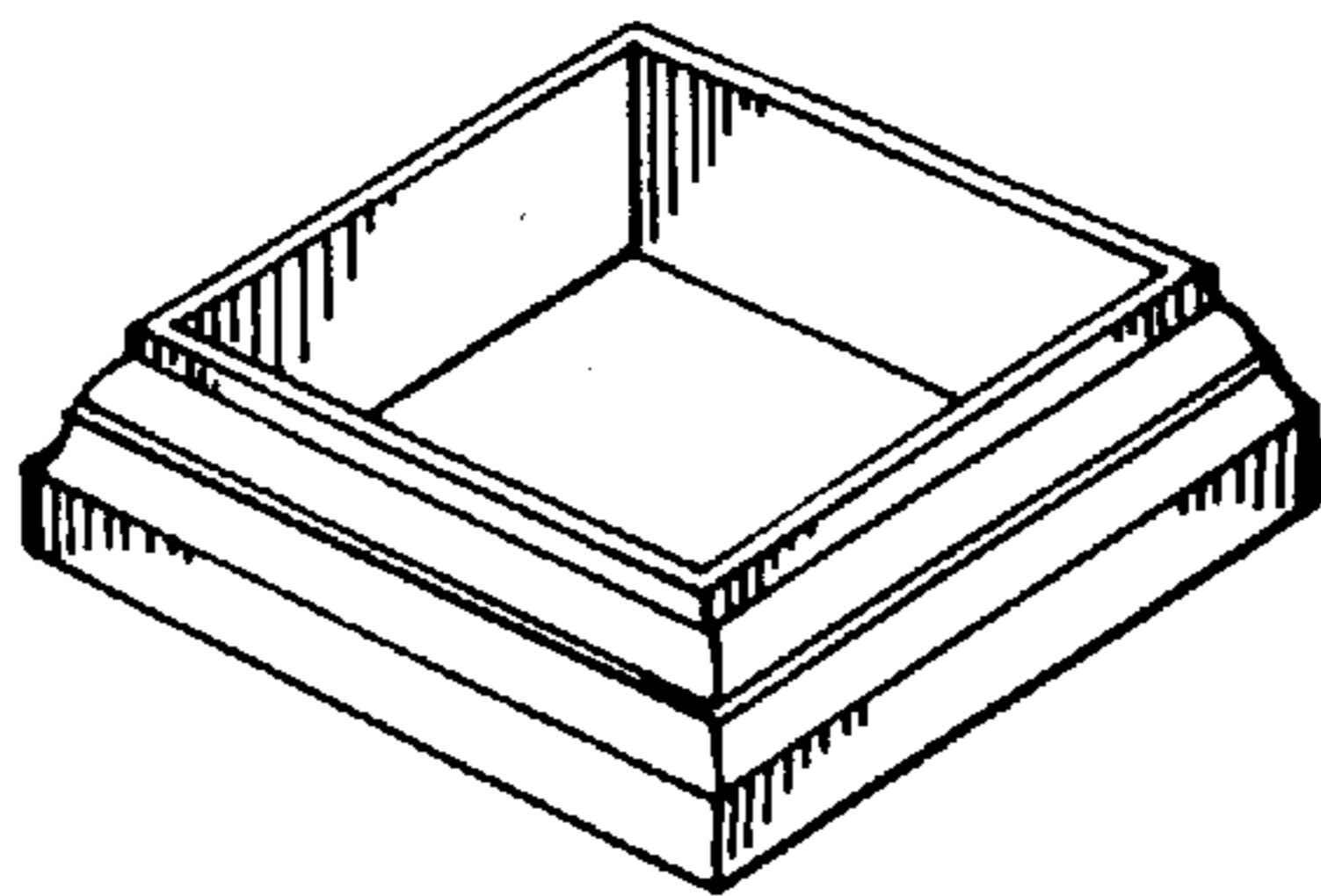
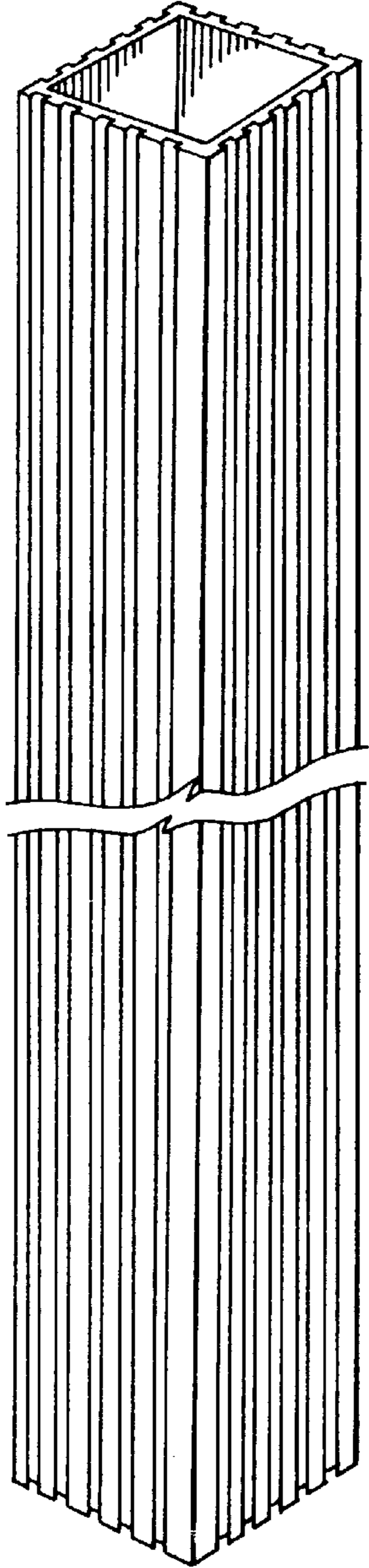
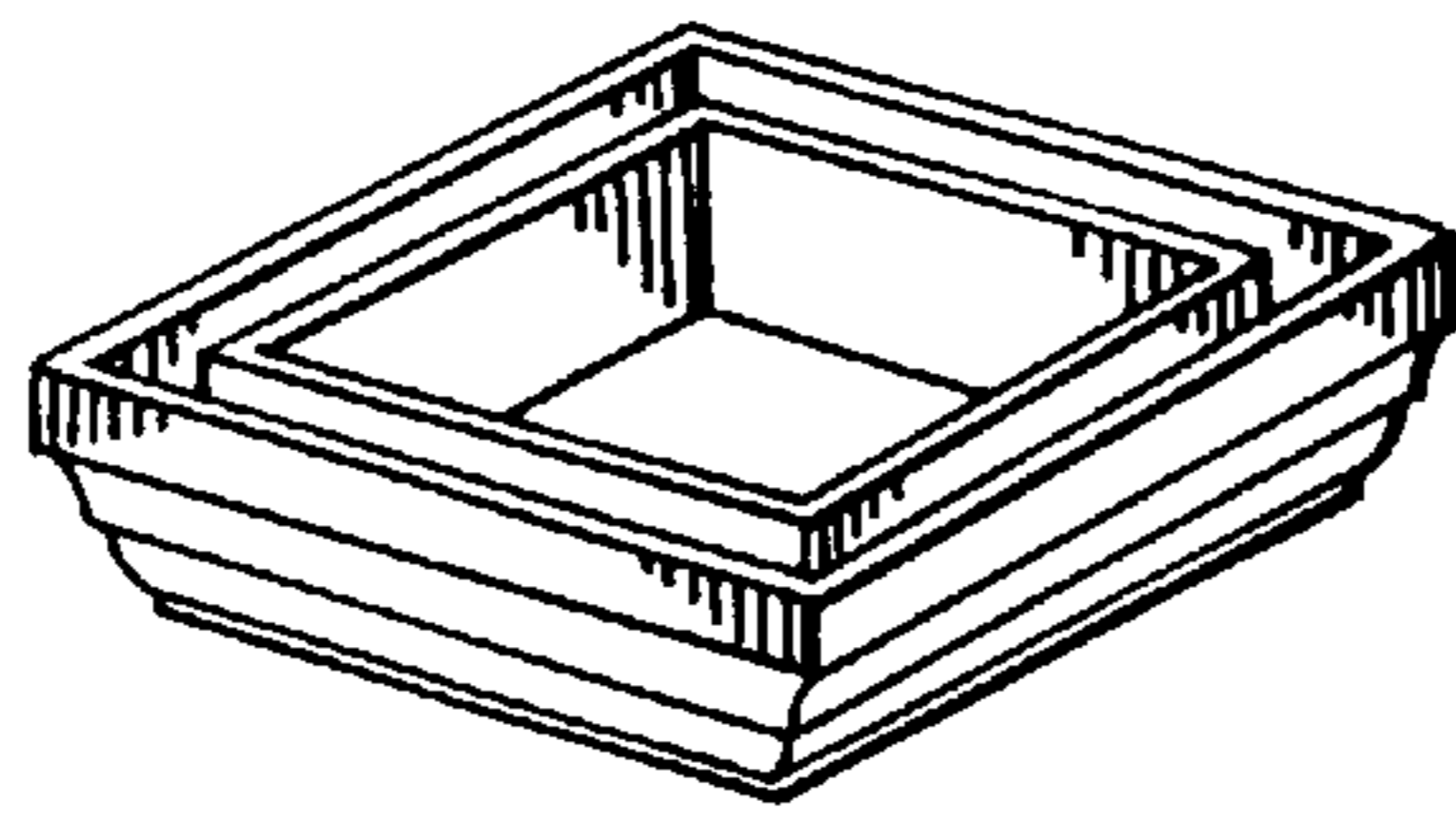


FIG. 2

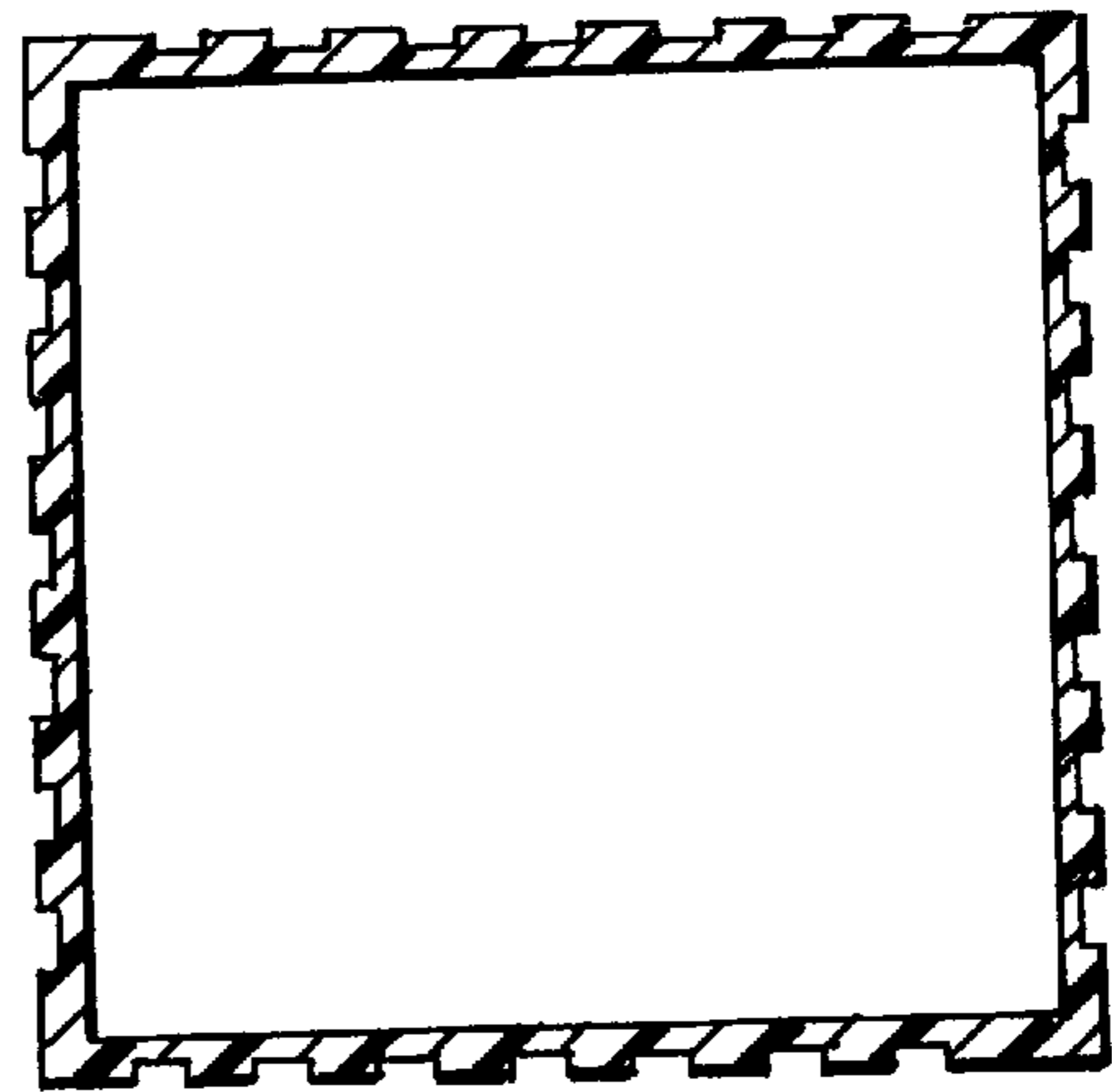
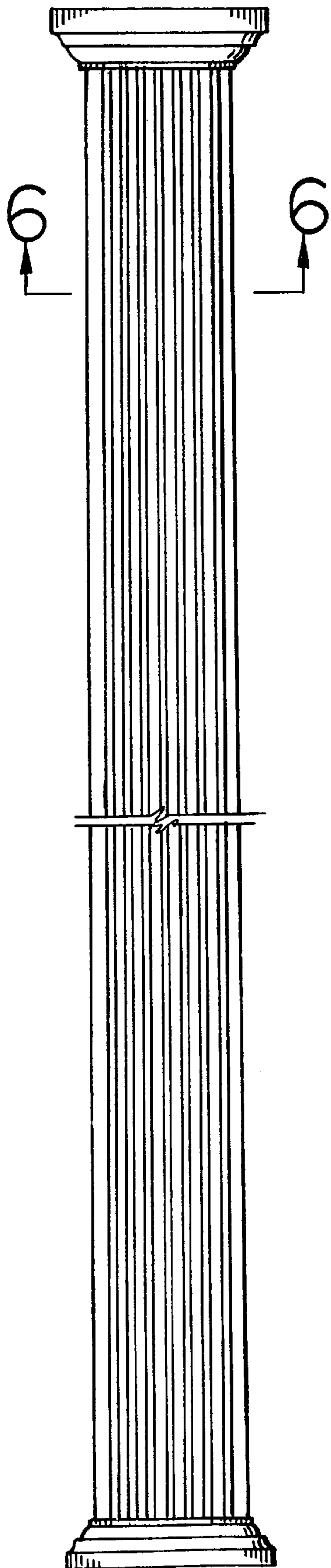


FIG. 6

FIG. 4

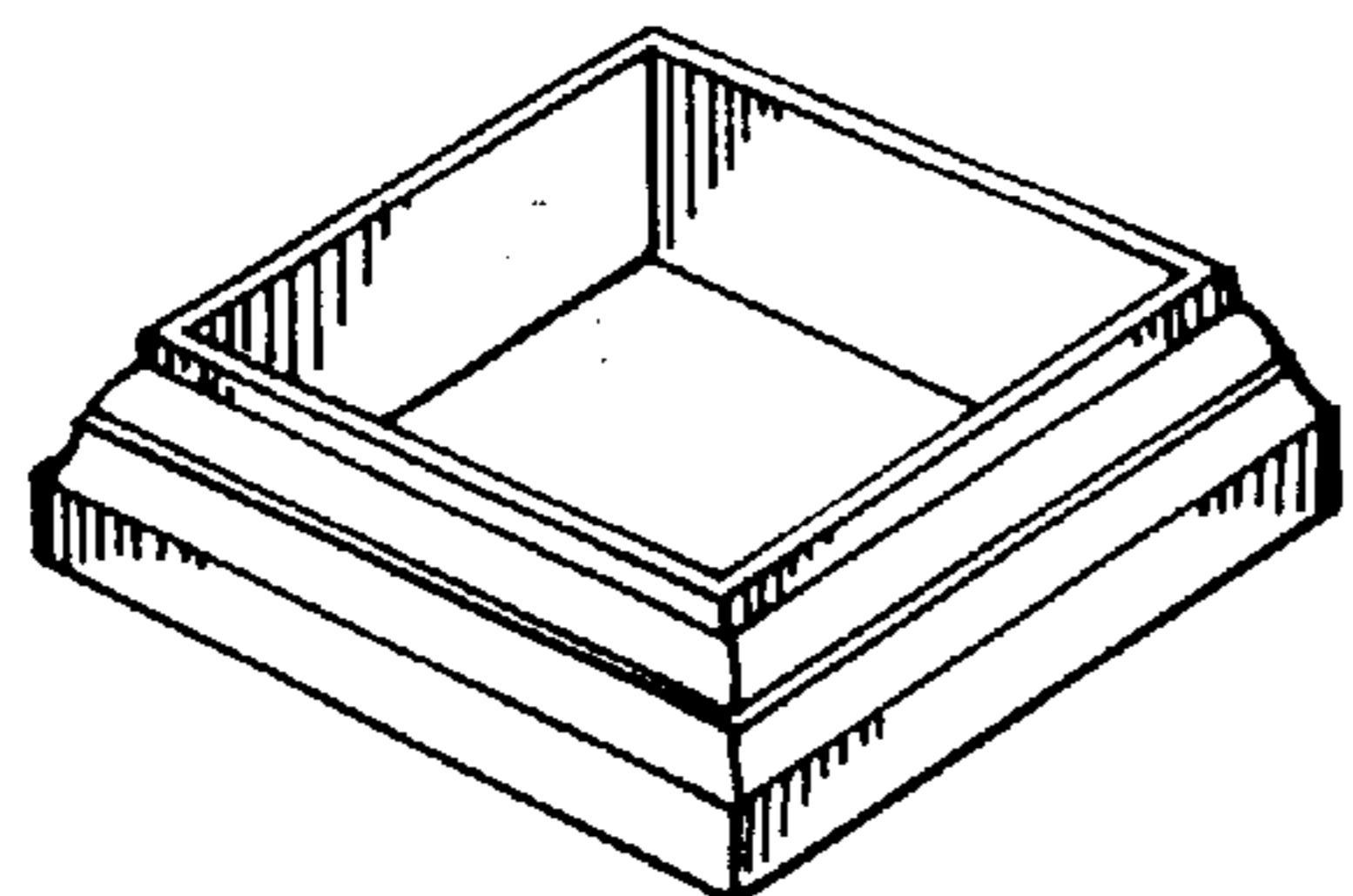
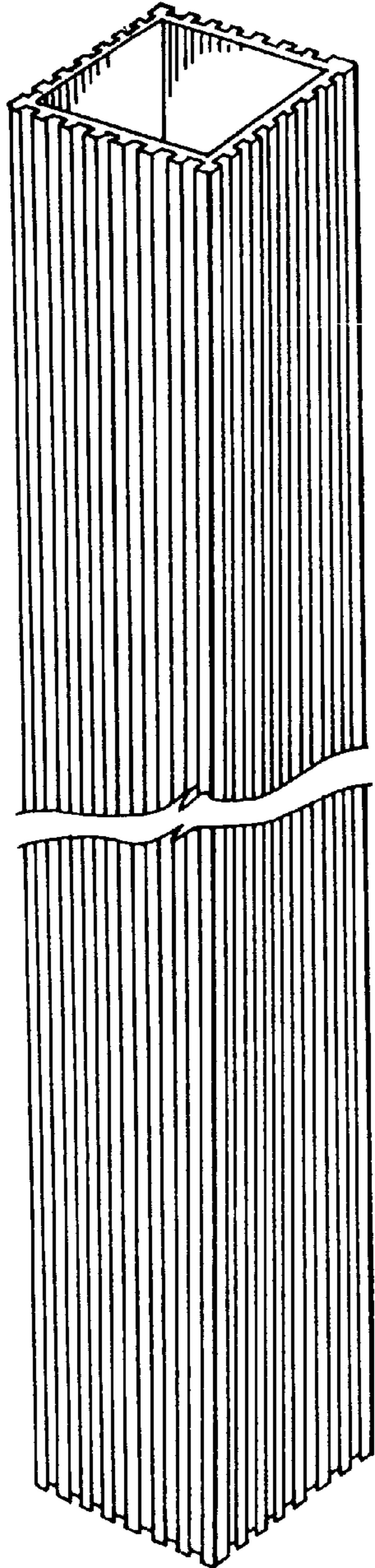
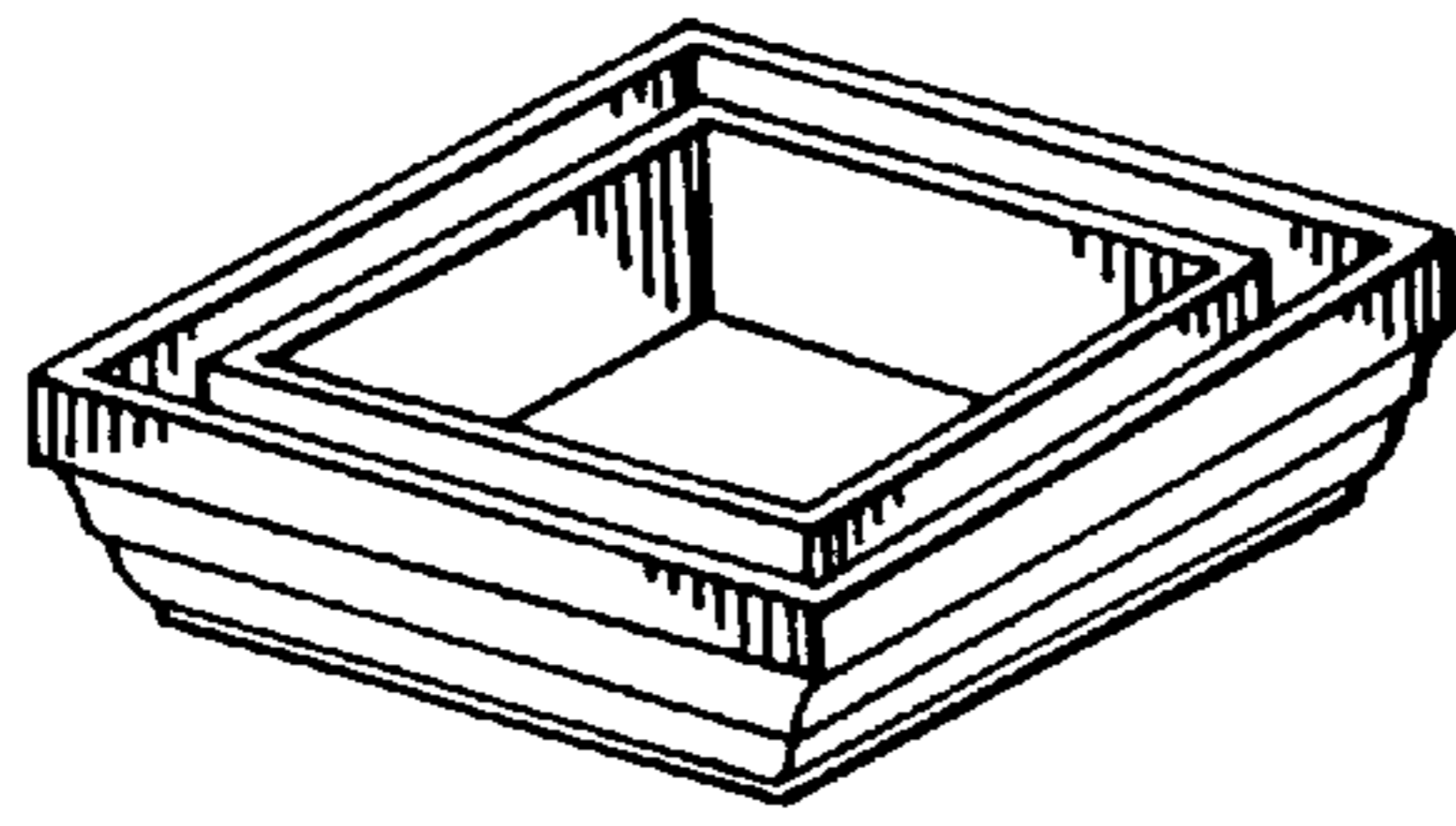


FIG. 5

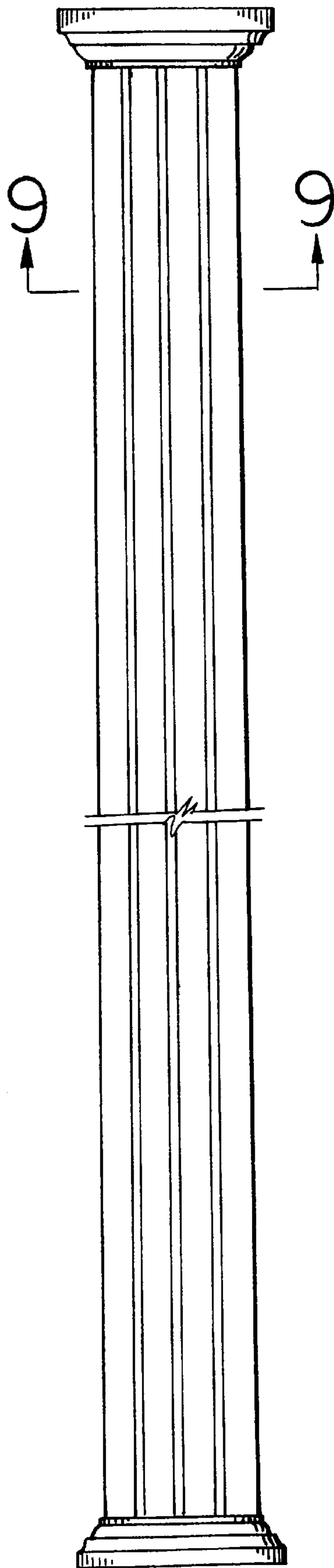


FIG. 7

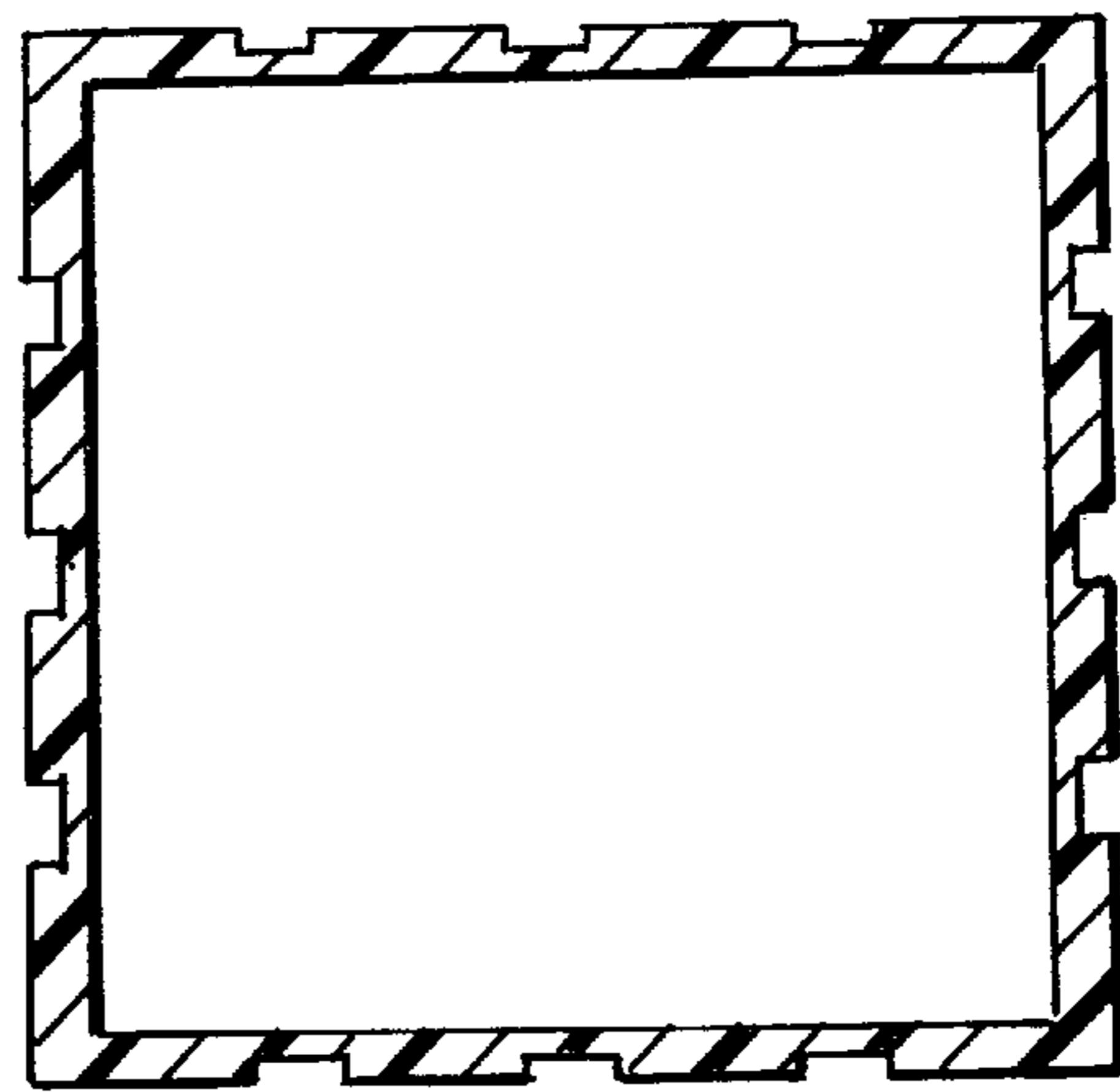


FIG. 9

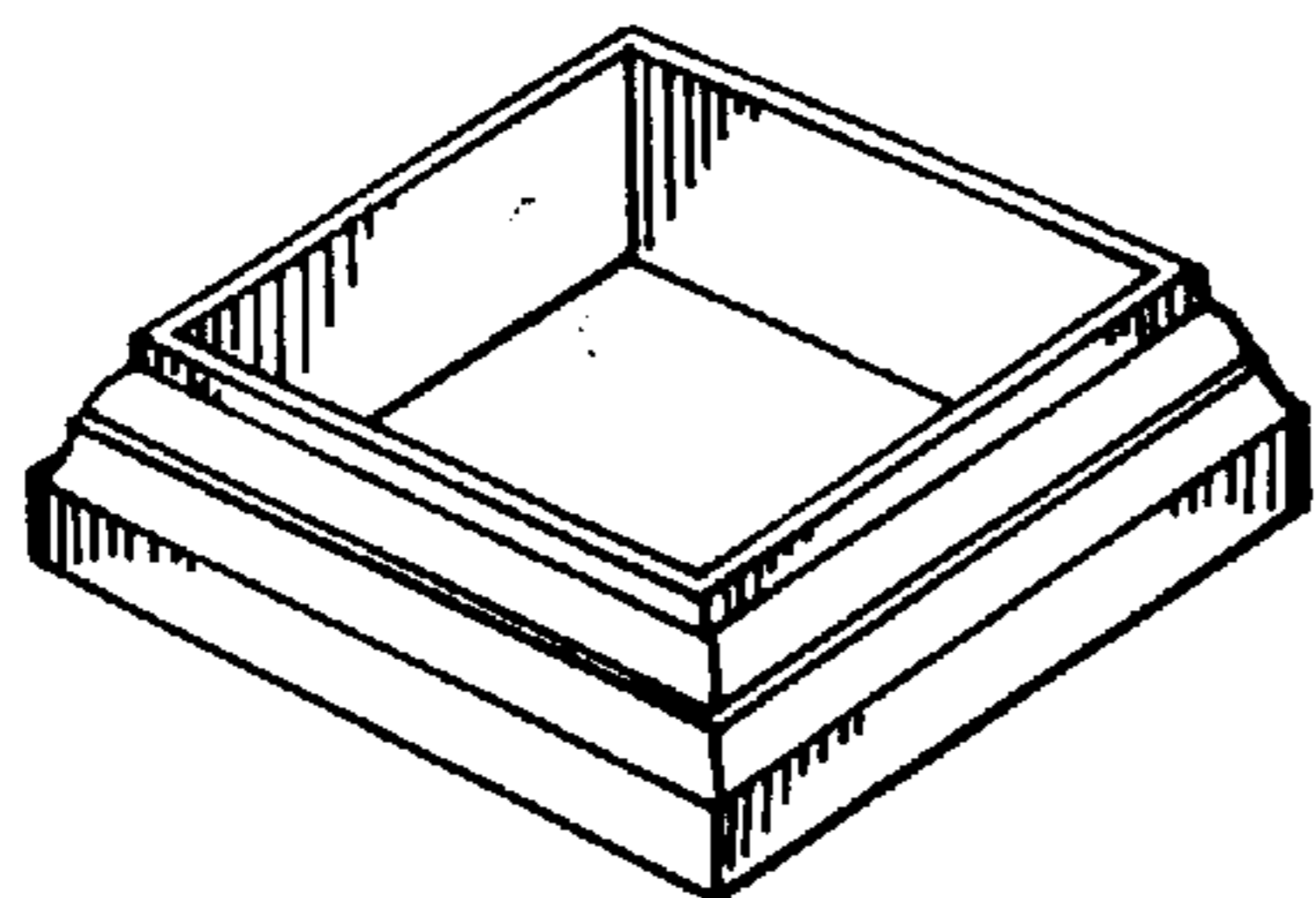
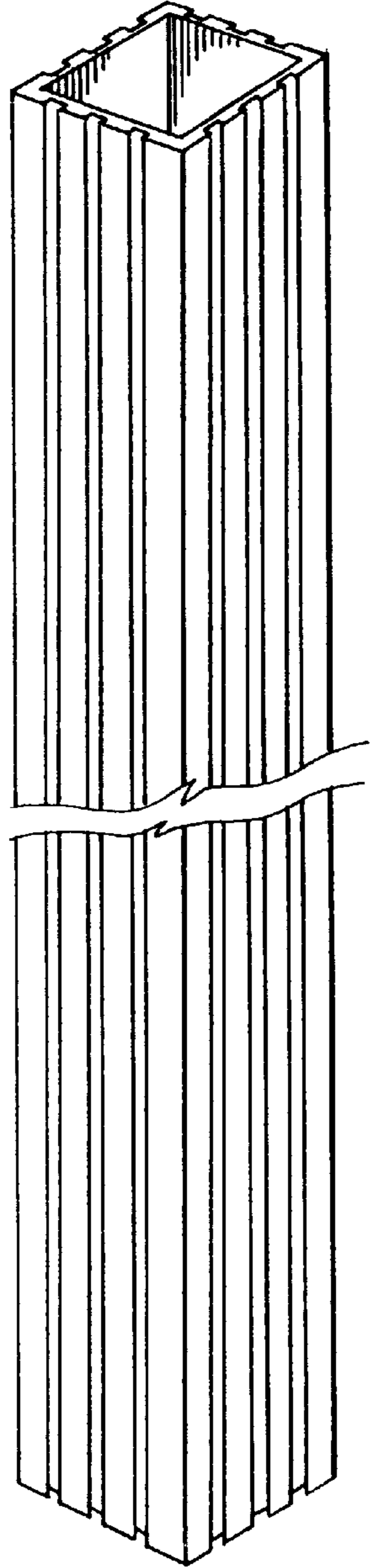
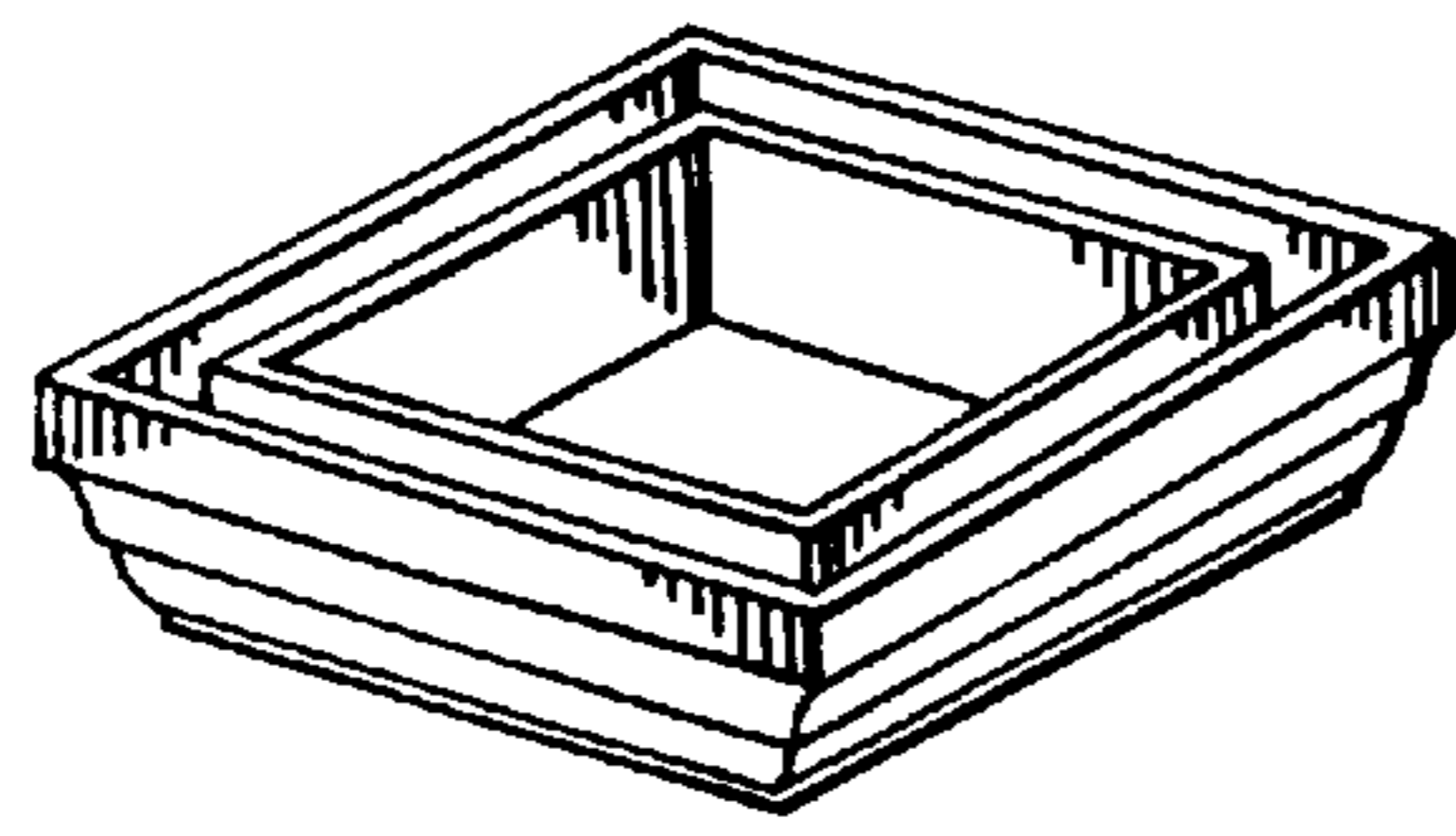


FIG. 8

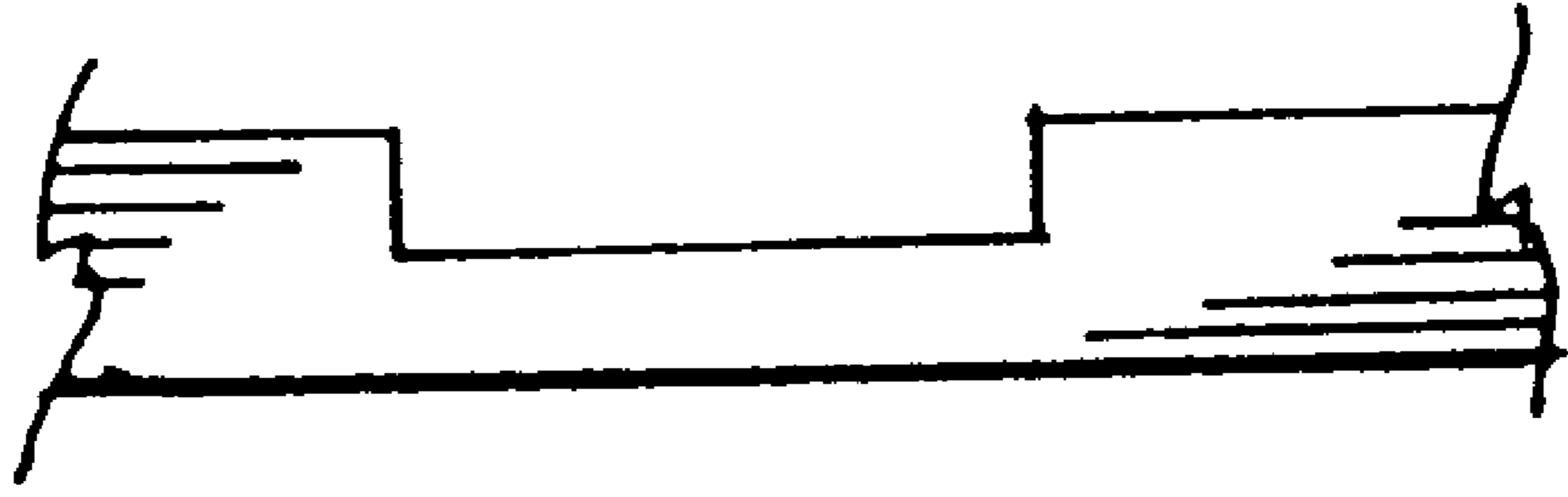


FIG. 10

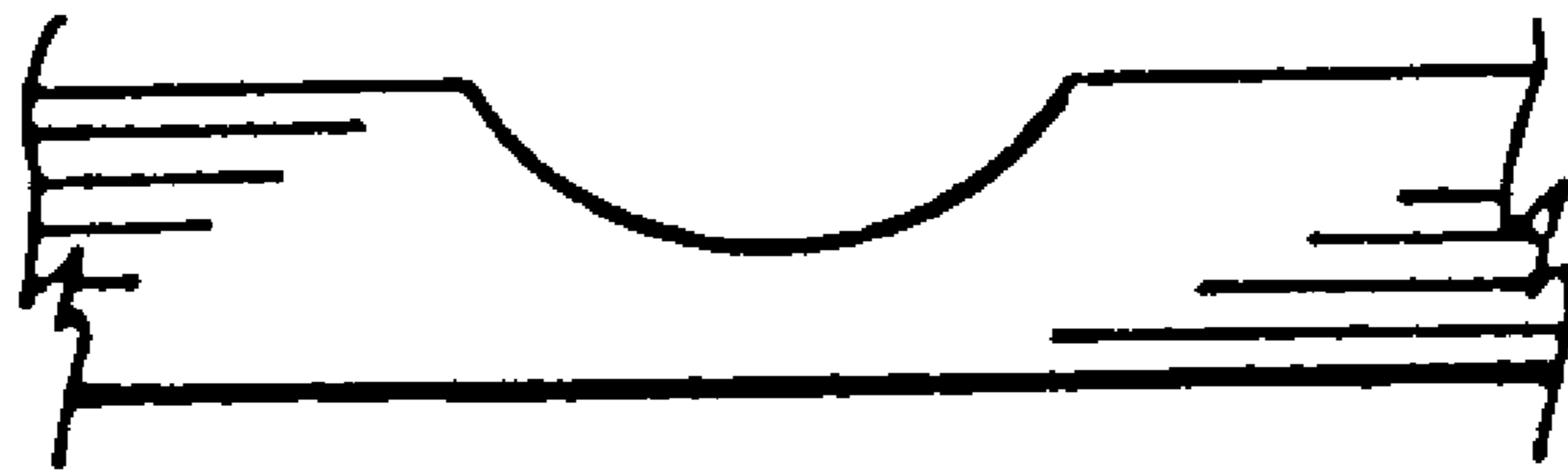


FIG. 11