



US00D424216S

United States Patent [19] Goss

[11] **Patent Number: Des. 424,216**

[45] **Date of Patent: ** May 2, 2000**

[54] **WINDOW COMPONENT EXTRUSION**

D. 395,091 6/1998 Goss D25/124

[75] Inventor: **Lorane Goss**, Slippery Rock, Pa.

Primary Examiner—Doris Clark
Attorney, Agent, or Firm—Richardson & Folise

[73] Assignee: **Mikron Industries, Inc.**, Kent, Wash.

[**] Term: **14 Years**

[57] **CLAIM**

[21] Appl. No.: **29/106,512**

The ornamental design for a window component extrusion, as shown and described.

[22] Filed: **Jun. 16, 1999**

DESCRIPTION

[51] **LOC (7) Cl.** **25-01**

[52] **U.S. Cl.** **D25/124**

[58] **Field of Search** D25/52, 60, 119-125;
49/DIG. 2, 504-505, 404, 413, 419, 407,
408; 52/204.56, 204.51, 730.3, 205.1, 202

FIG. 1 is a top right perspective view of the window component extrusion which is broken in the center indicating indefinite length.

FIG. 2 is a bottom perspective view of the window component extrusion shown in FIG. 1.

[56] **References Cited**

U.S. PATENT DOCUMENTS

D. 380,055 6/1997 Goss .

1 Claim, 1 Drawing Sheet

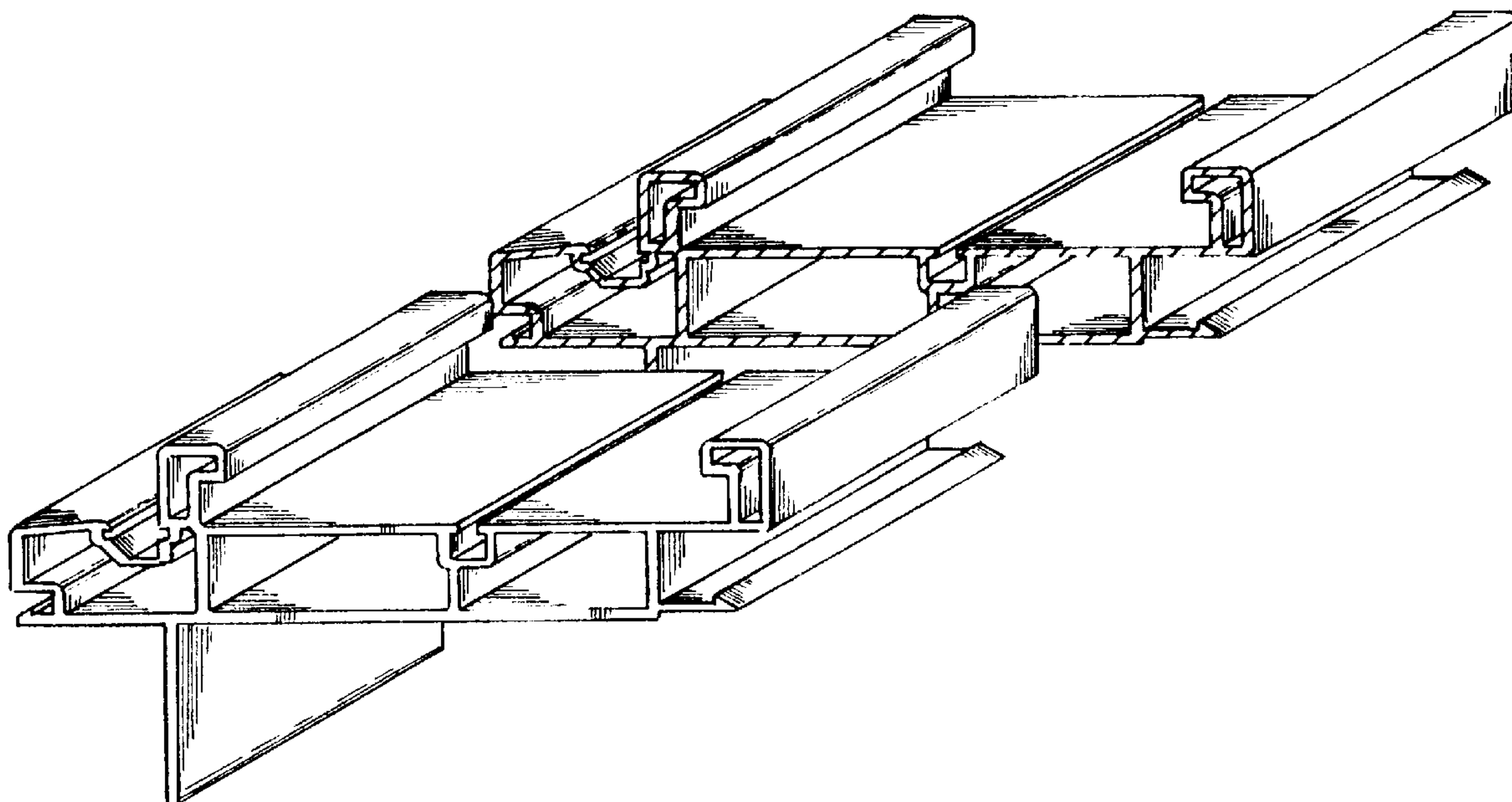


FIG. 1

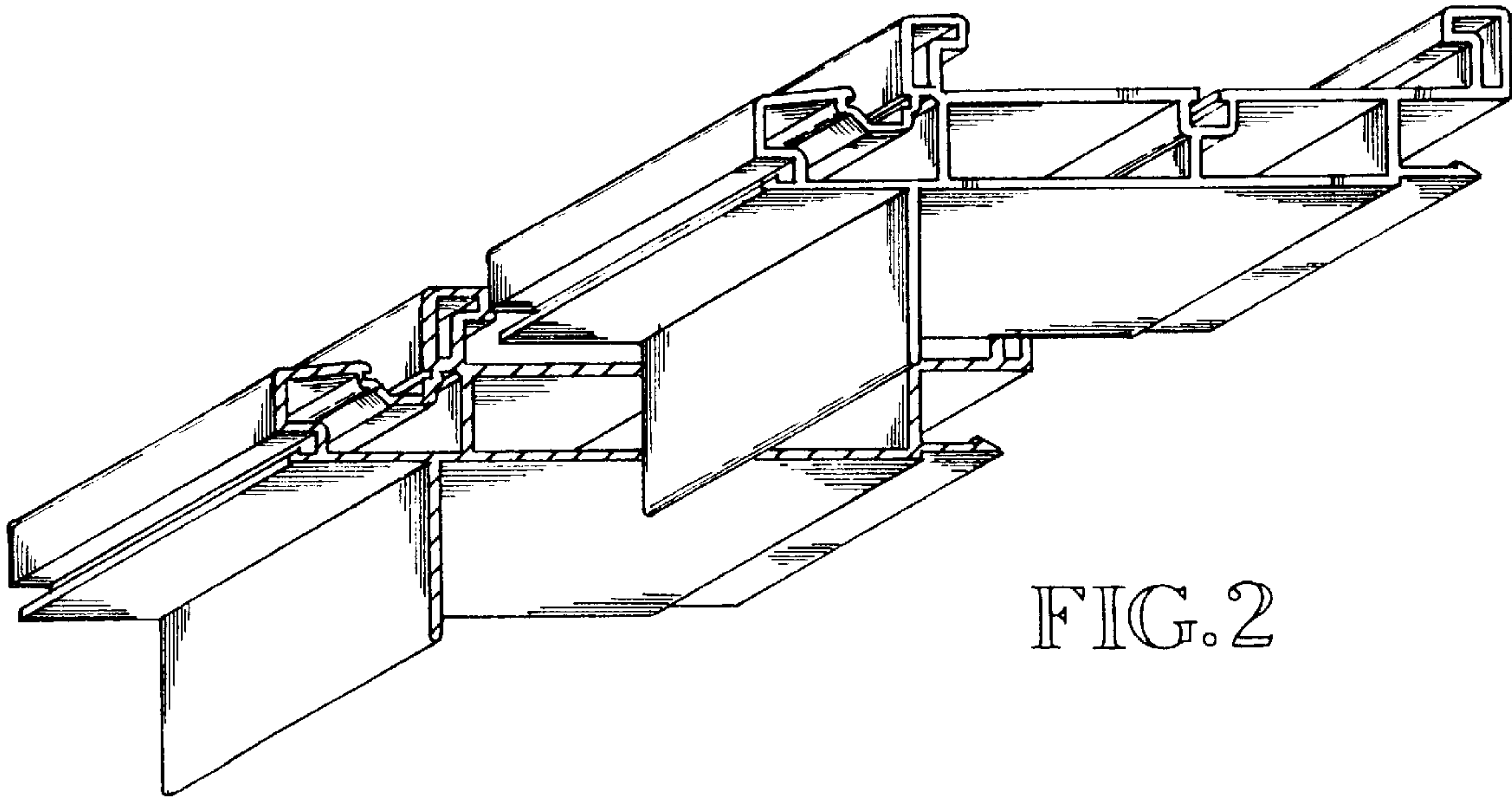
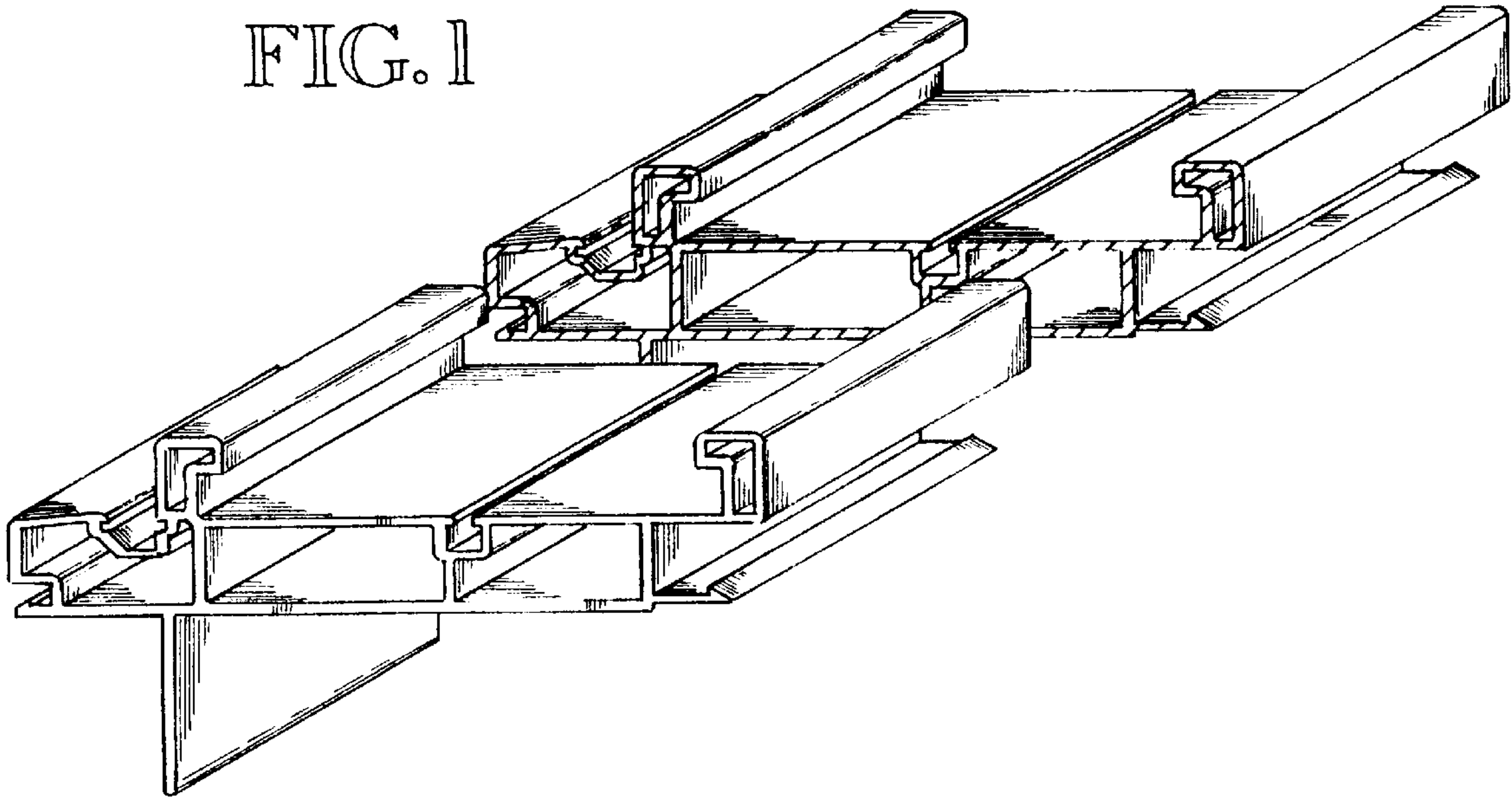


FIG. 2