



US00D424209S

United States Patent [19] Lindgren

[11] **Patent Number: Des. 424,209**

[45] **Date of Patent: ** May 2, 2000**

[54] **ROOF WINDOW**

4,986,039 1/1991 Weisner 52/200
5,581,942 12/1996 Sill et al. 52/200

[75] Inventor: **Claes Lindgren**, Farum, Denmark

OTHER PUBLICATIONS

[73] Assignee: **VELUX Industri A/S**, Søborg, Denmark

Installation instructions for roof window, VELUX GGL, 1996.

[**] Term: **14 Years**

Primary Examiner—Doris Clark
Attorney, Agent, or Firm—Lane, Aitken & McCann, L.L.P.

[21] Appl. No.: **29/094,610**

[22] Filed: **Oct. 6, 1998**

[57] CLAIM

[30] Foreign Application Priority Data

We claim the ornamental design for a roof window, as shown and described.

Apr. 7, 1998 [DK] Denmark MA-0392-1998

DESCRIPTION

[51] **LOC (7) Cl.** **25-02**

FIG. 1 is a perspective view of the roof window in open position;

[52] **U.S. Cl.** **D25/52**

FIG. 2 is a plan view thereof from the external side;

[58] **Field of Search** D25/52; 52/200, 52/204.51, 204.66; 49/DIG. 2, 504, 505

FIG. 3 is a perspective view in closed position;

FIG. 4 is a plan view thereof from the internal side;

FIG. 5 is a front elevational view of FIG. 1;

FIG. 6 is a rear view thereof; and,

FIG. 8 is a front elevational view in closed position.

[56] References Cited

U.S. PATENT DOCUMENTS

D. 328,795 8/1992 Yamaguchi et al. D25/52
D. 363,557 10/1995 Lindgren et al. D25/52

1 Claim, 4 Drawing Sheets

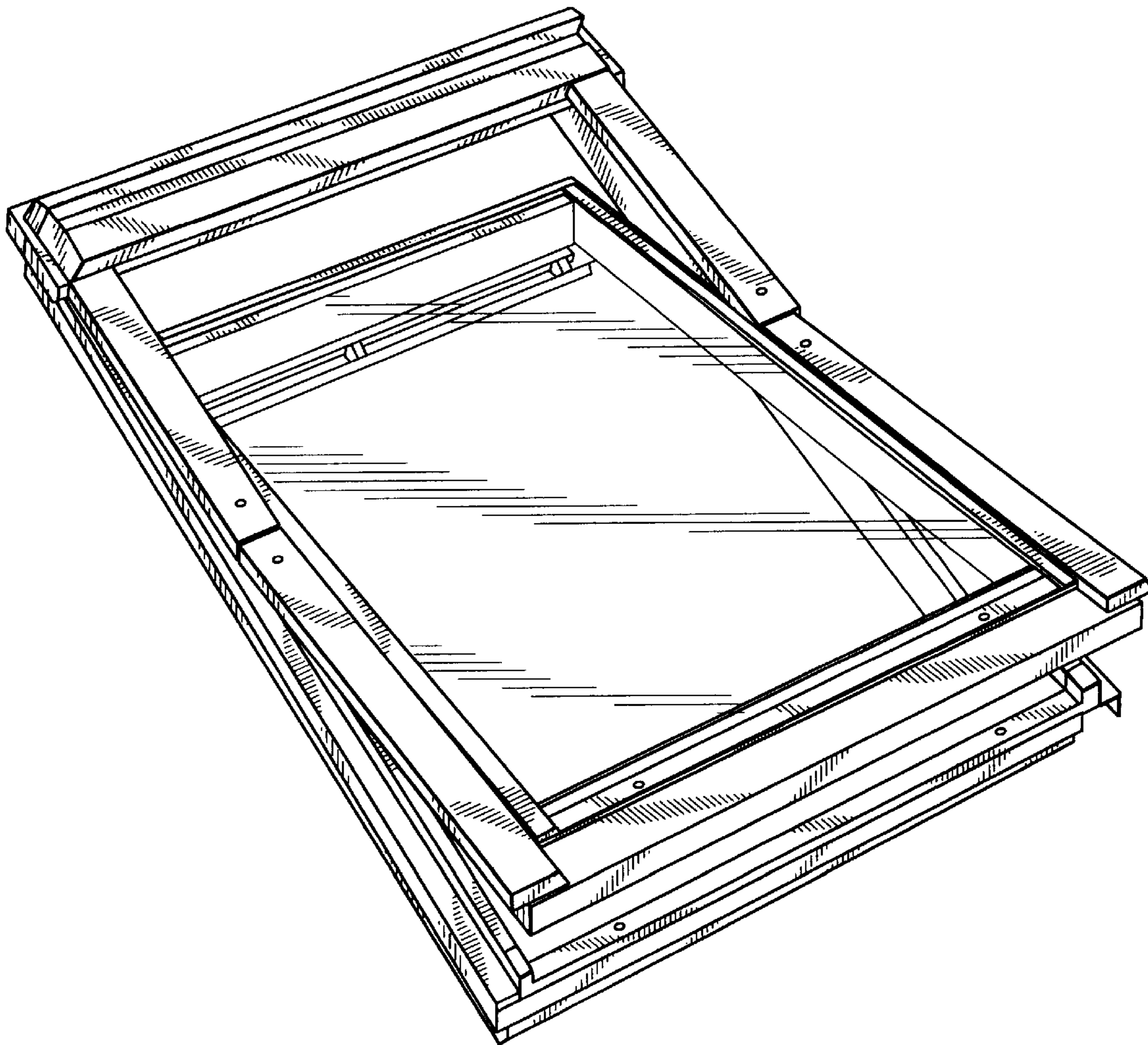


FIG. 1

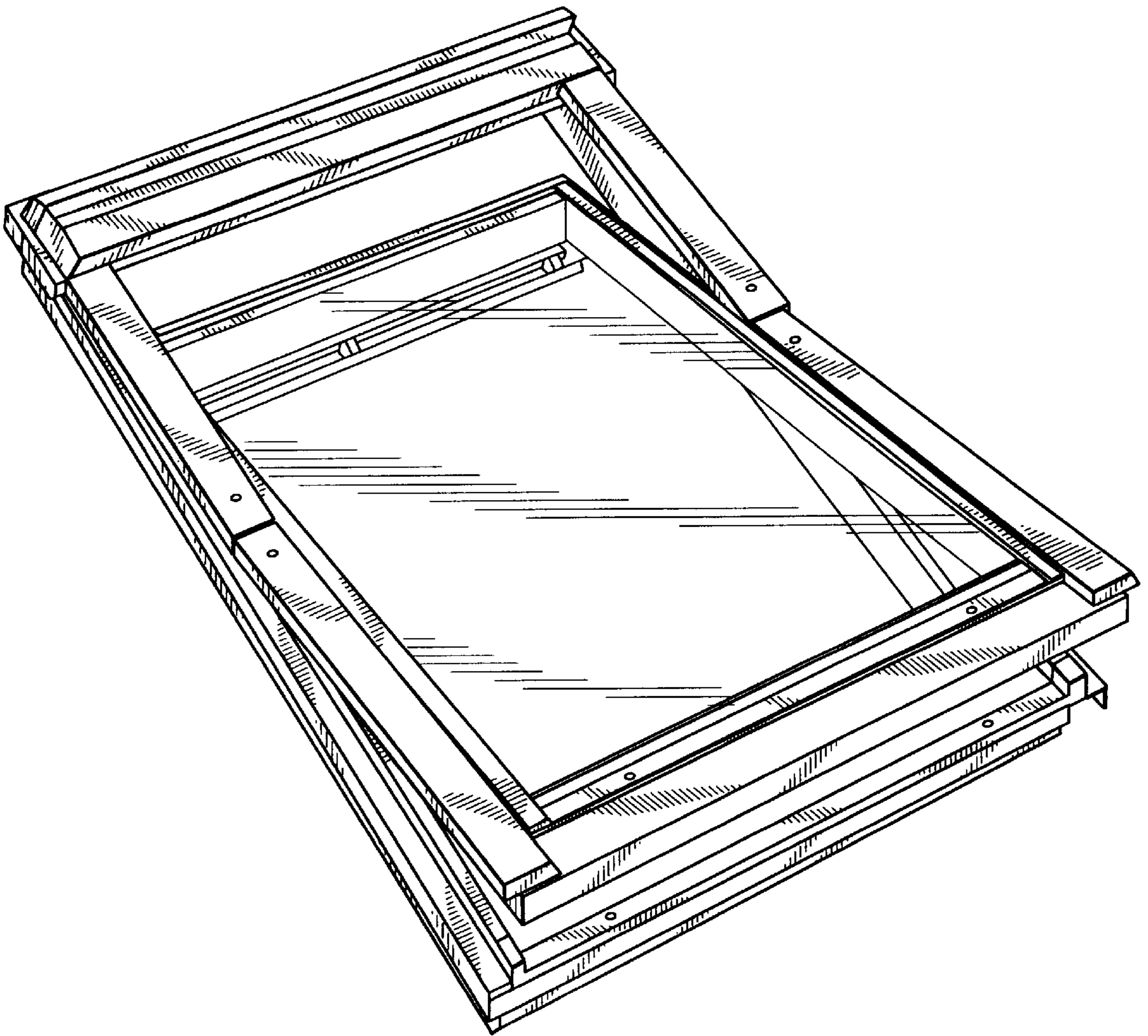


FIG. 2

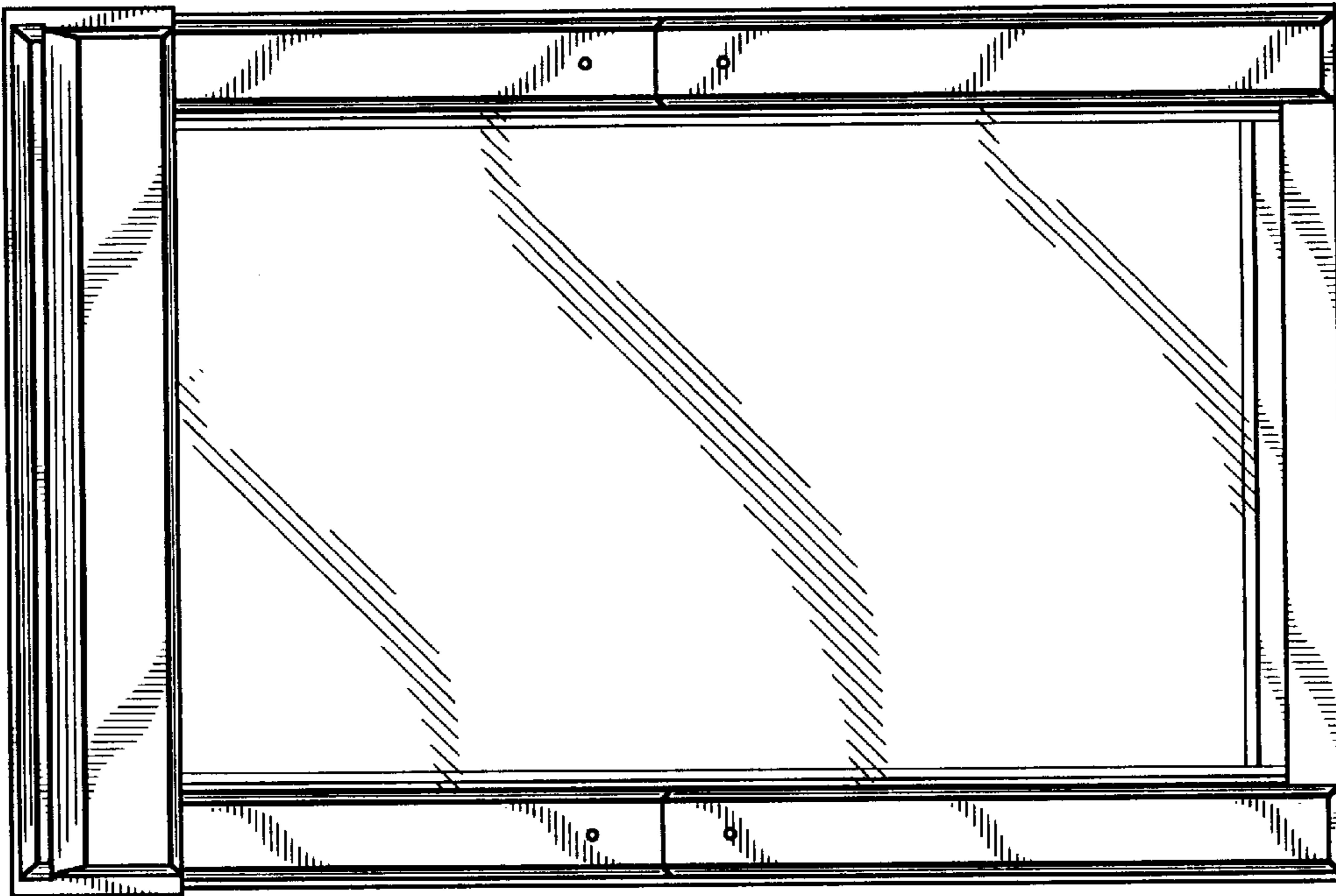


FIG. 3

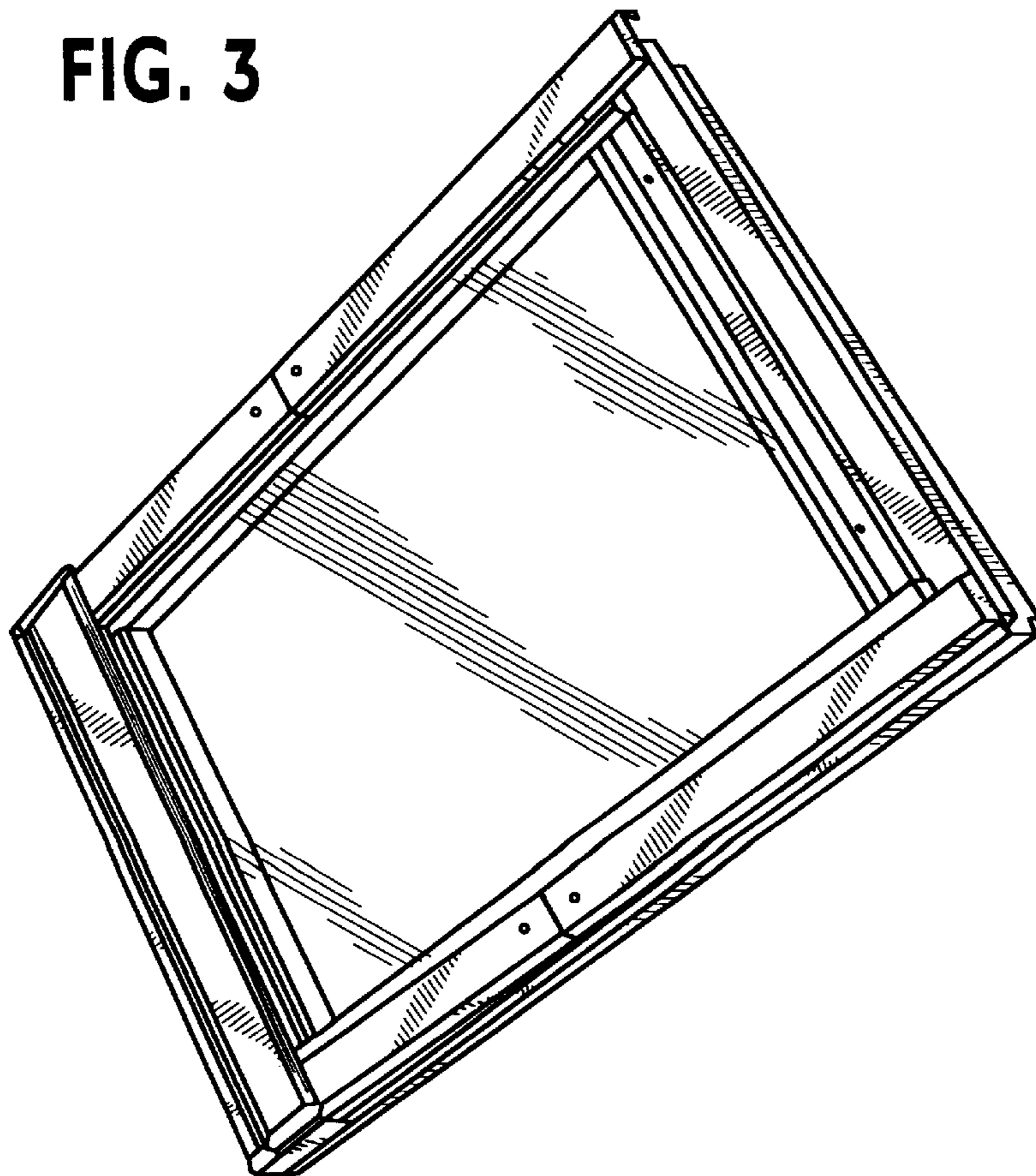


FIG. 4

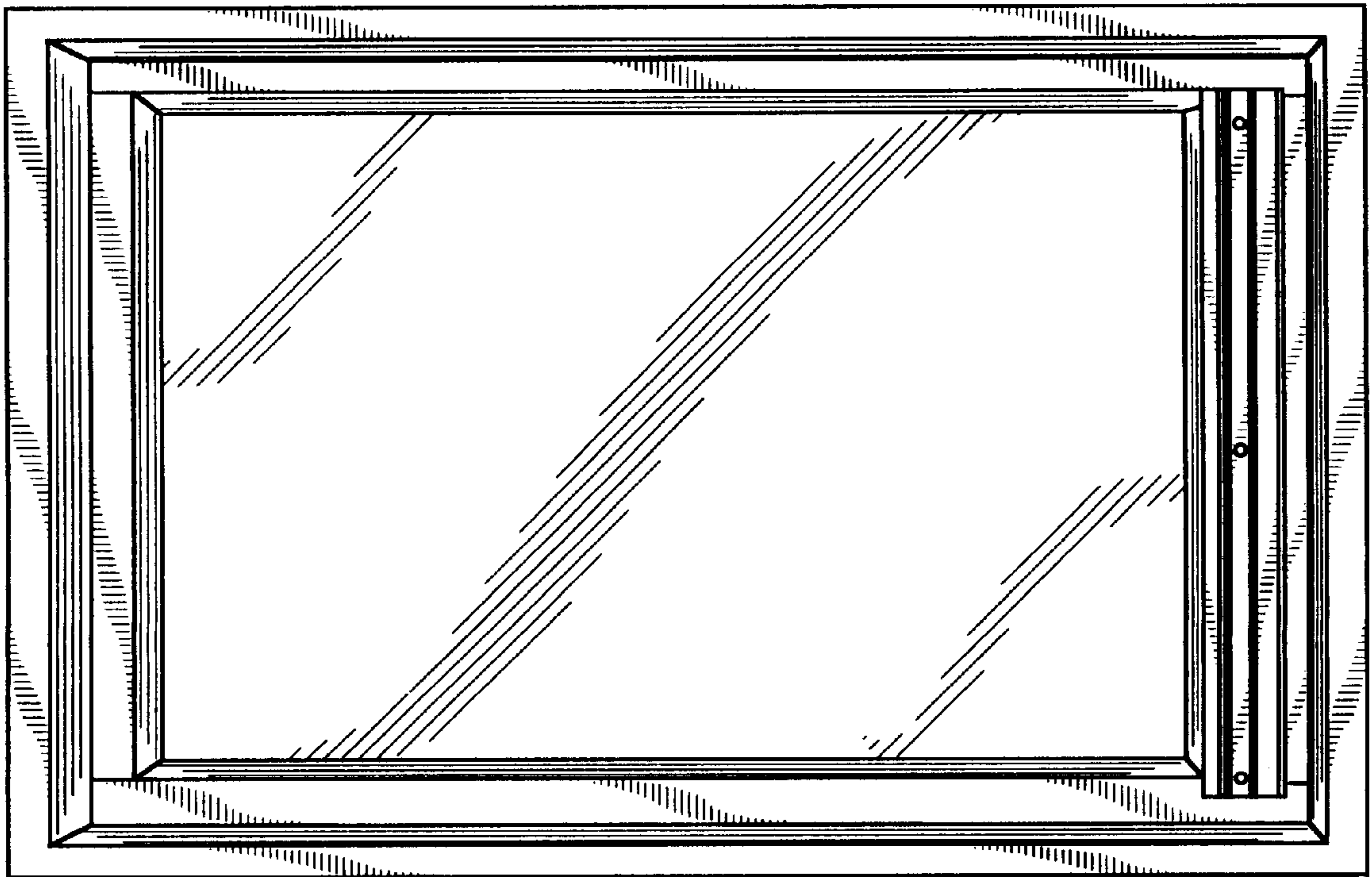


FIG. 7

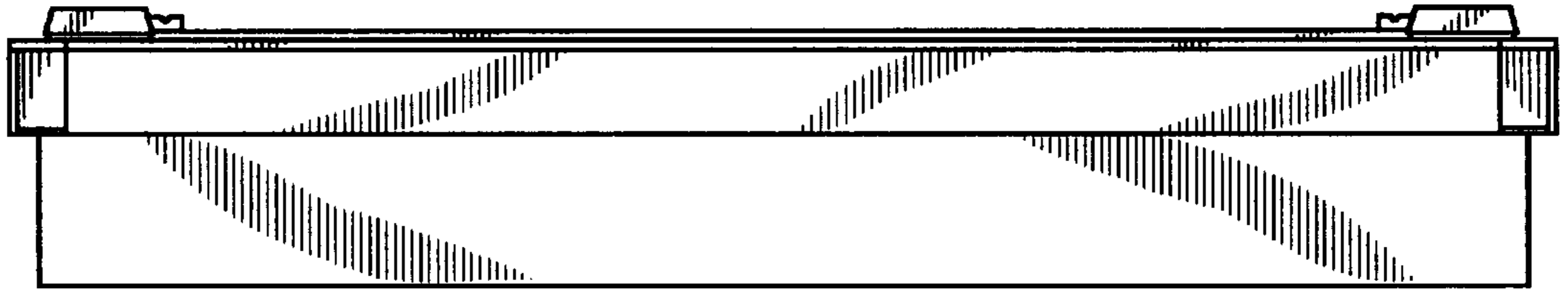


FIG. 6

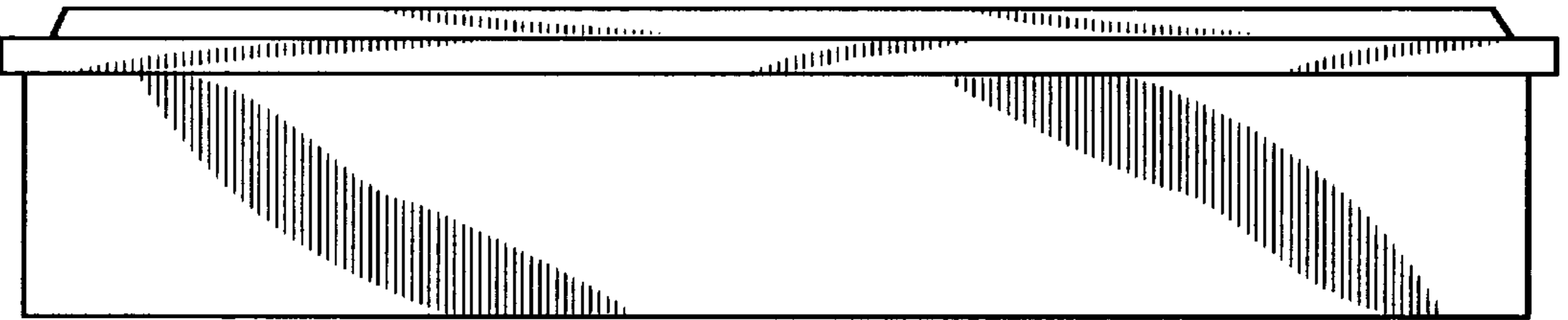


FIG. 5

