



US00D424206S

United States Patent [19] Tafoya

[11] **Patent Number: Des. 424,206**

[45] **Date of Patent: ** May 2, 2000**

[54] **EXFOLIATION APPARATUS**

[75] Inventor: **Joe Tafoya**, Carmichael, Calif.

[73] Assignee: **Microderm Systems, Inc.**, Carmichael, Calif.

[**] Term: **14 Years**

[21] Appl. No.: **29/104,172**

[22] Filed: **Apr. 29, 1999**

[51] **LOC (7) Cl.** **24-04**

[52] **U.S. Cl.** **D24/200**

[58] **Field of Search** D24/215, 200;
604/313, 310, 289; 601/6, 7

[56] **References Cited**

U.S. PATENT DOCUMENTS

- D. 273,328 4/1984 Hastings et al. D24/214
- D. 303,723 9/1989 Takahashi D28/9

- D. 360,036 7/1995 Doria D24/200
- 3,763,854 10/1973 Welch 601/6
- 4,003,373 1/1977 Spelio 601/10

Primary Examiner—Stella Reid
Attorney, Agent, or Firm—Mark C. Jacobs, Esq.

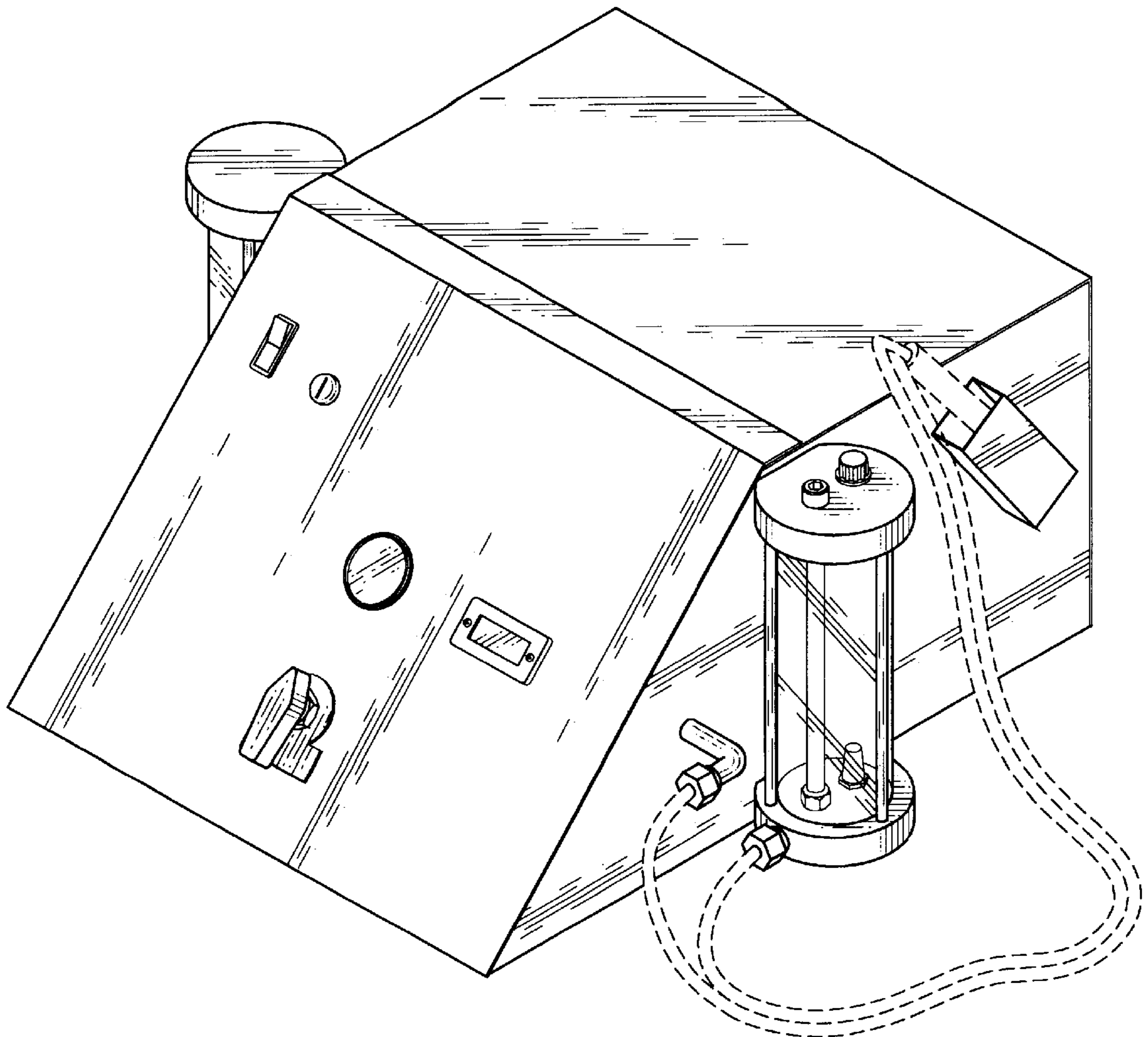
[57] **CLAIM**

The ornamental design for an exfoliation apparatus, as shown and described.

DESCRIPTION

FIG. 1 is a front right perspective view of an exfoliation apparatus, showing my new design;
FIG. 2 is a right side elevational view thereof;
FIG. 3 is a top plan view thereof;
FIG. 4 is a bottom plan view thereof;
FIG. 5 is a left side elevational view thereof;
FIG. 6 is a rear elevational view thereof; and,
FIG. 7 is a front elevational view thereof.

1 Claim, 3 Drawing Sheets



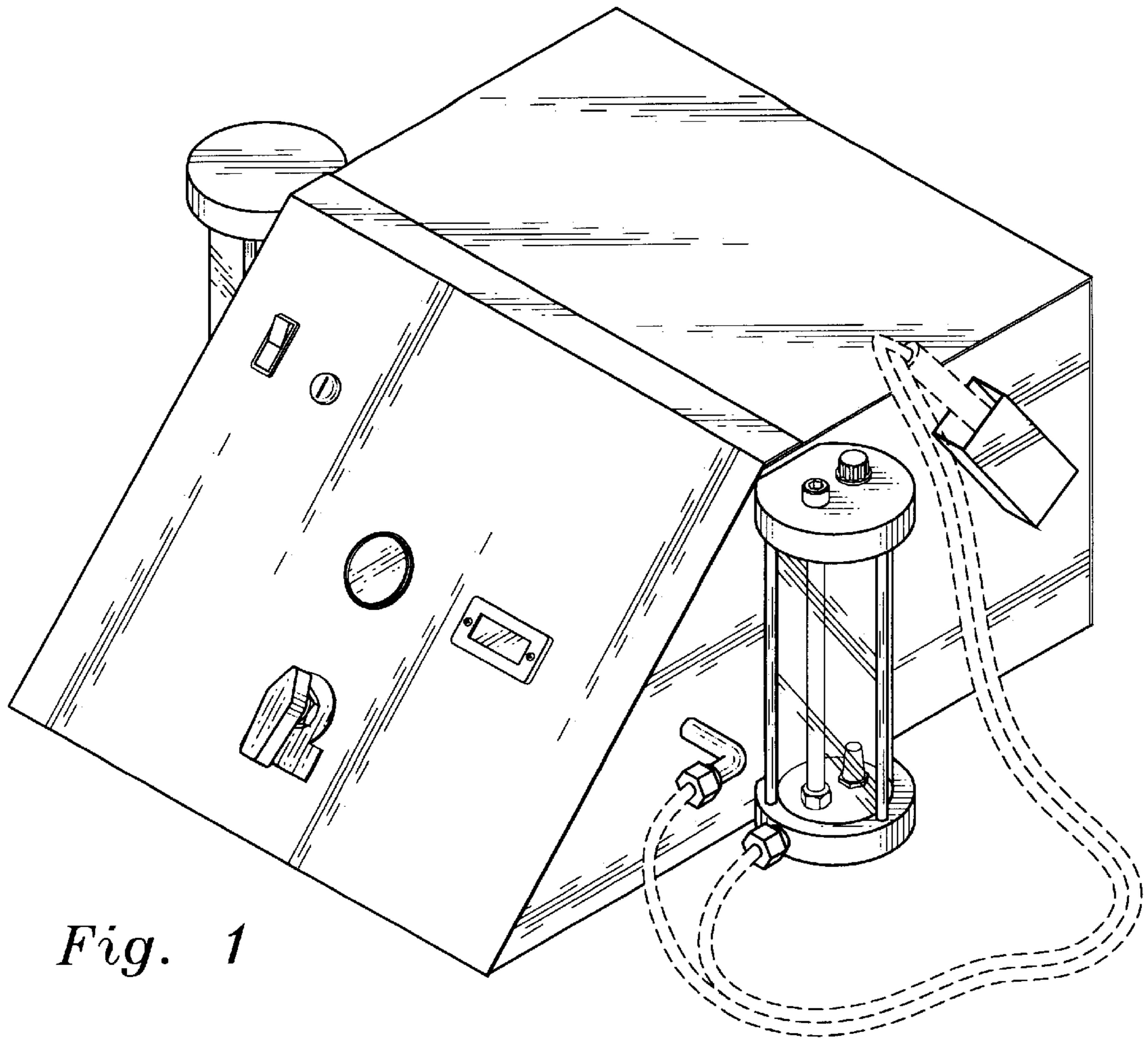


Fig. 1

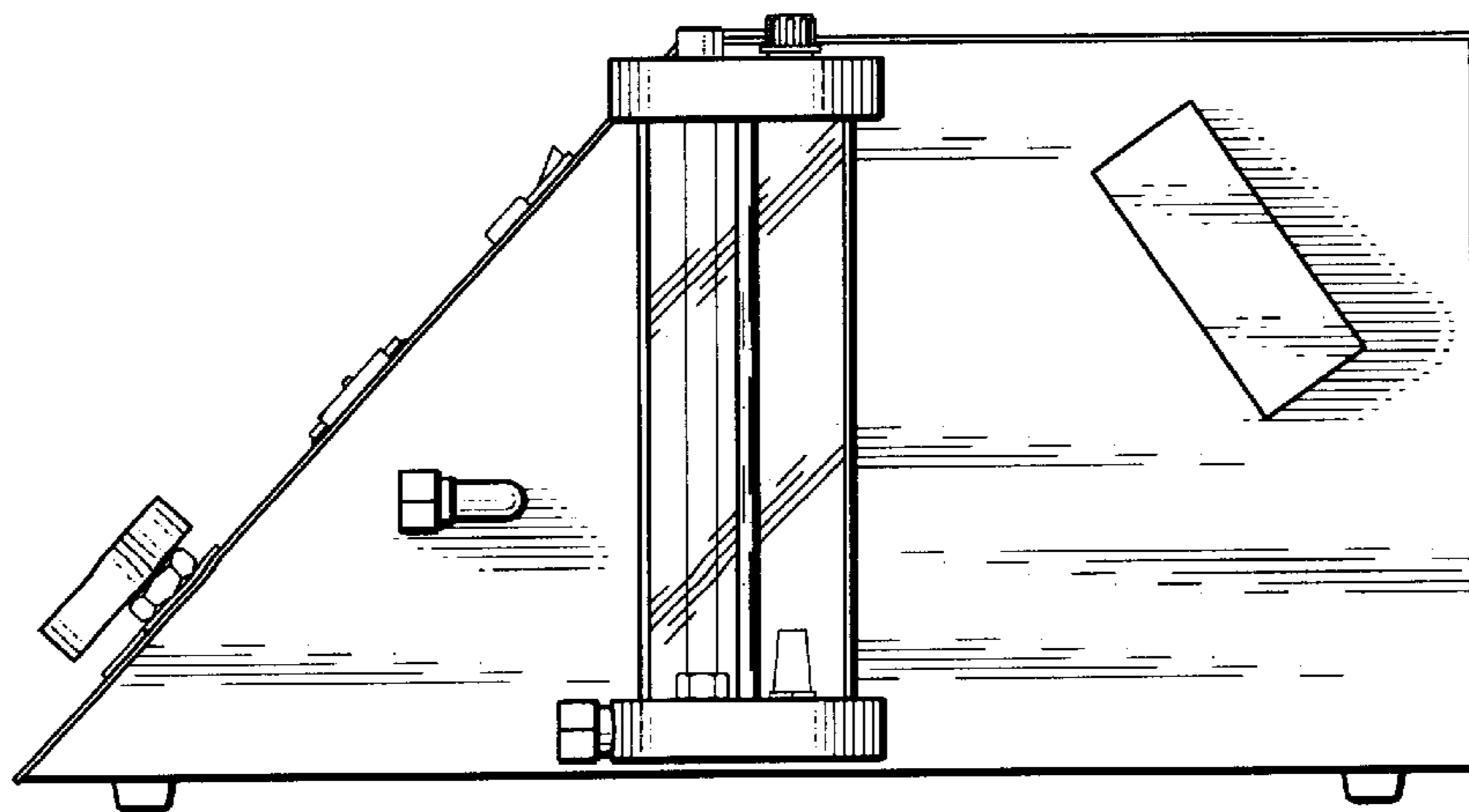


Fig. 2

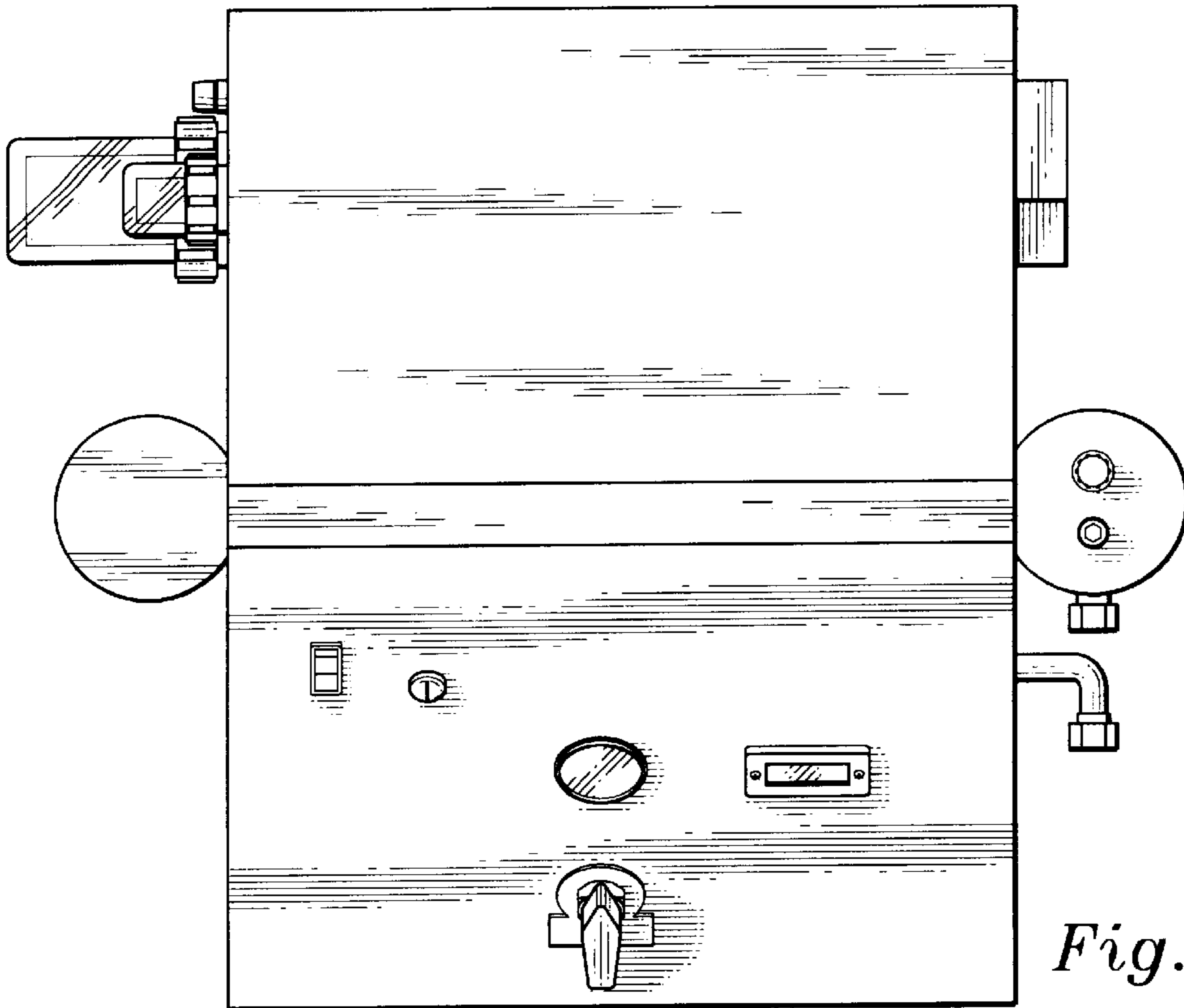


Fig. 3

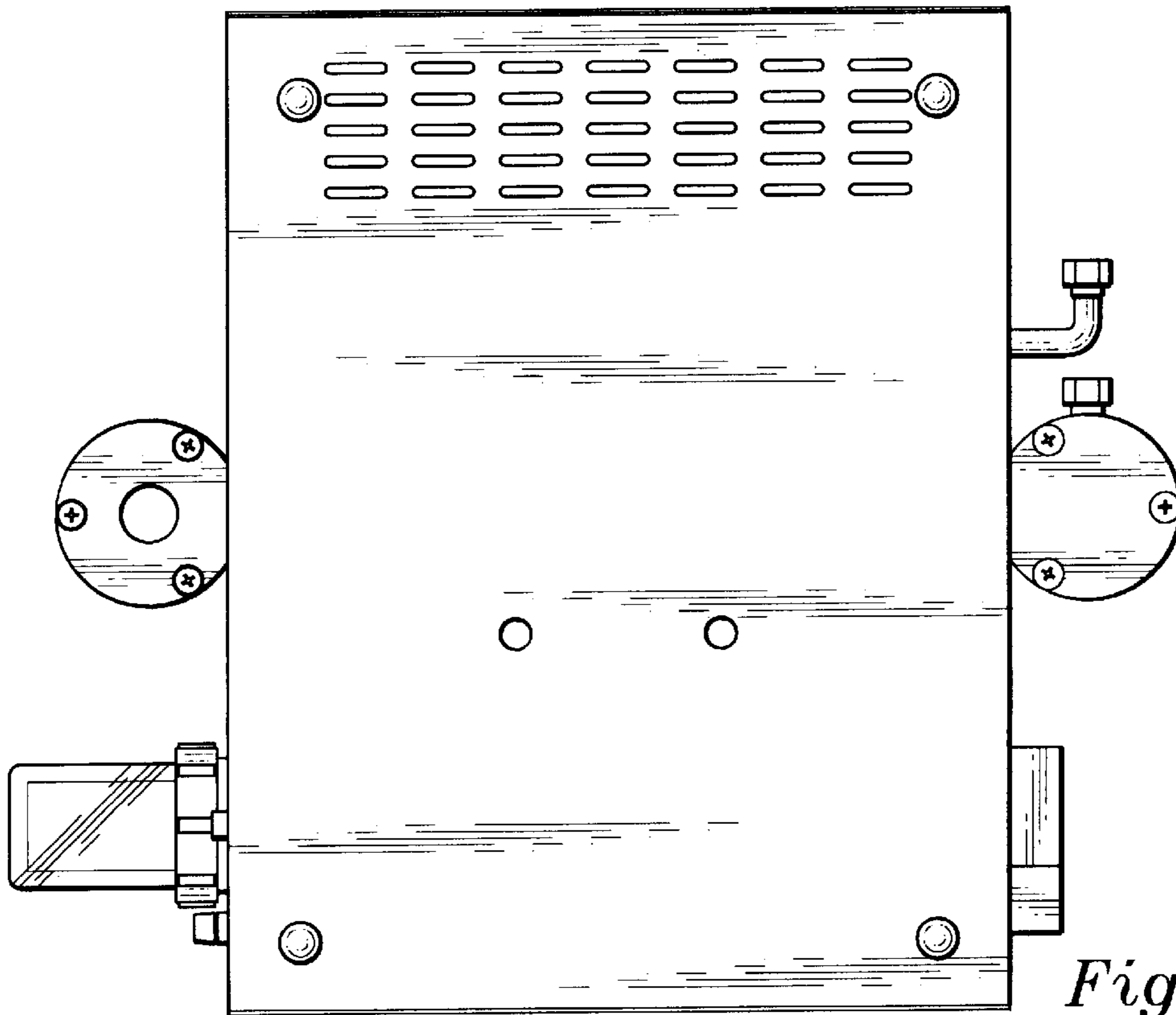


Fig. 4

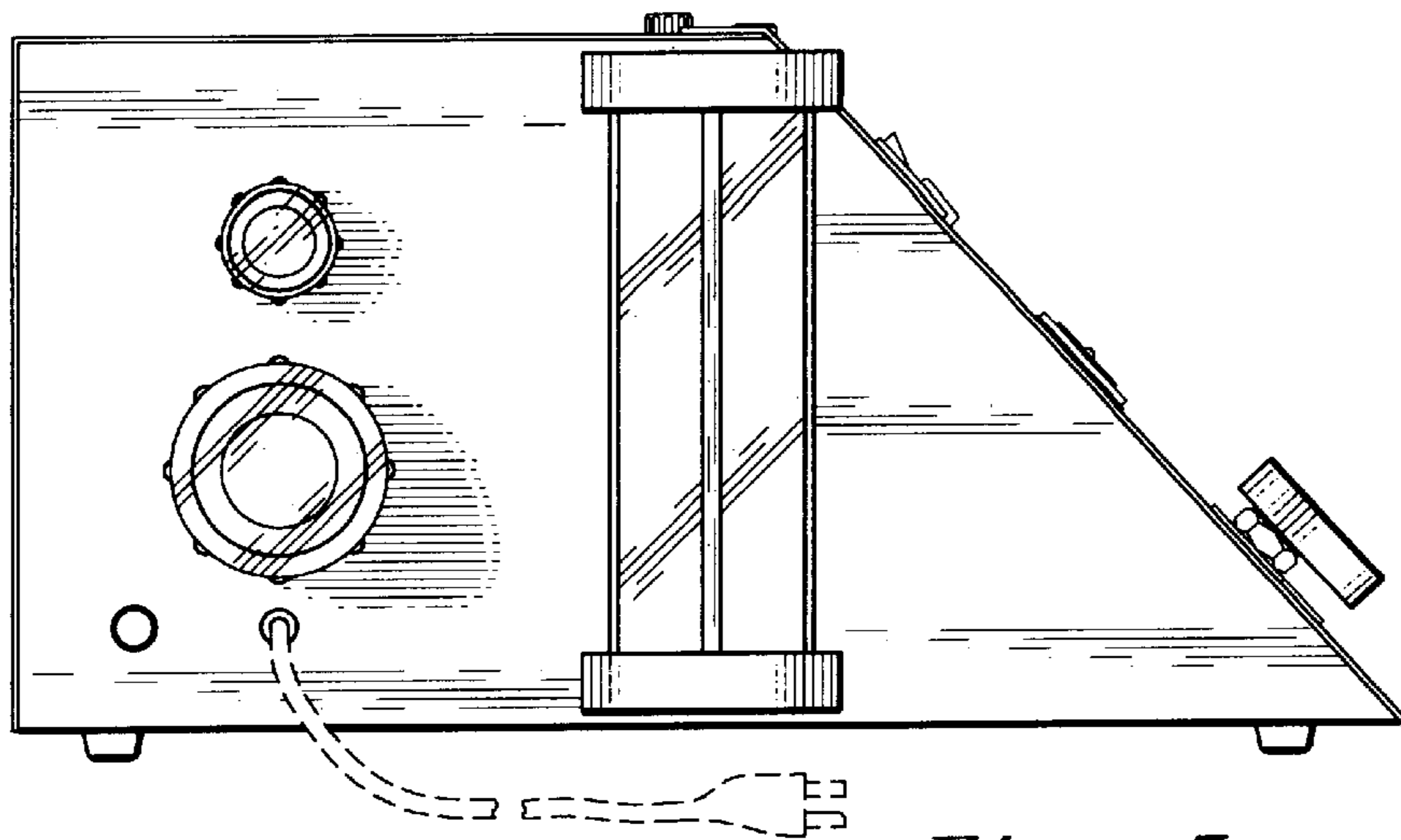


Fig. 5

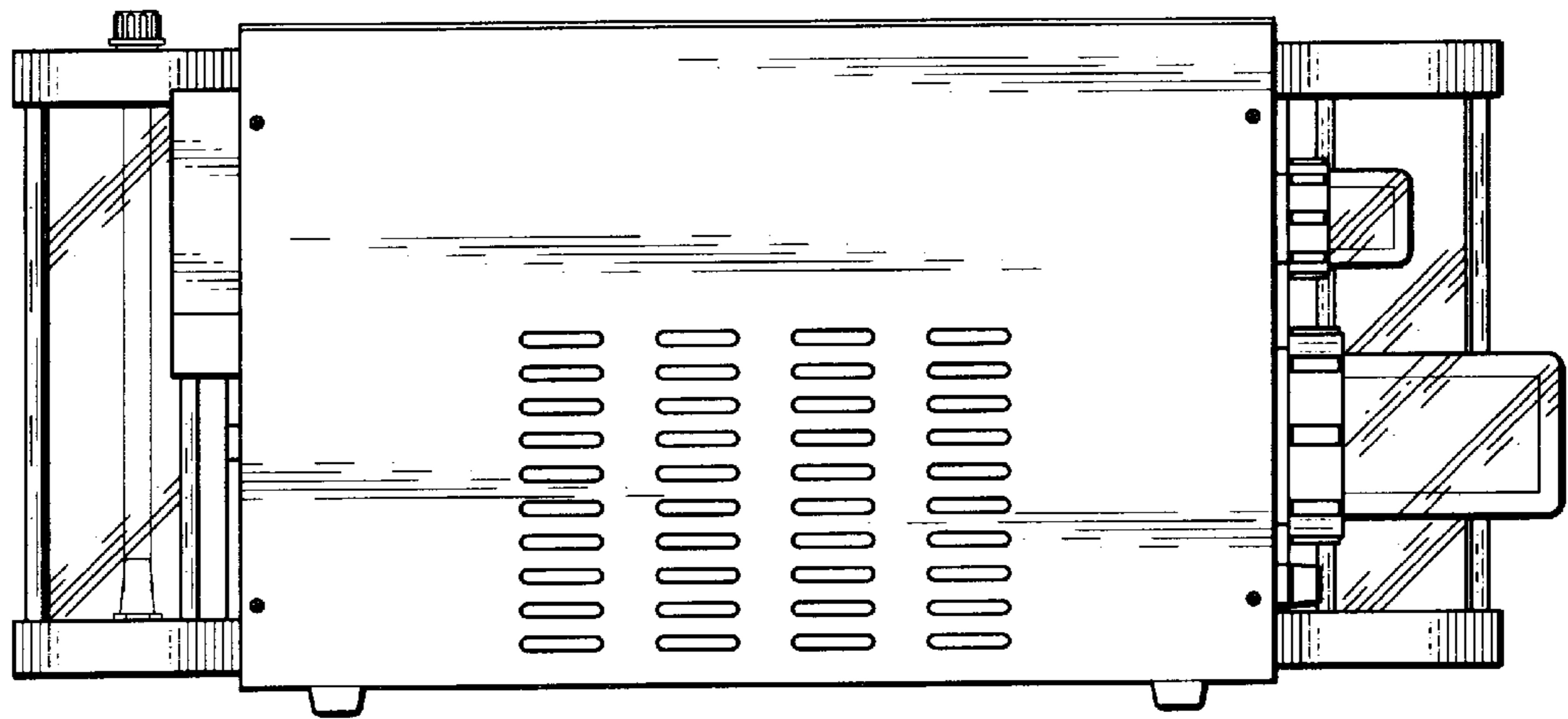


Fig. 6

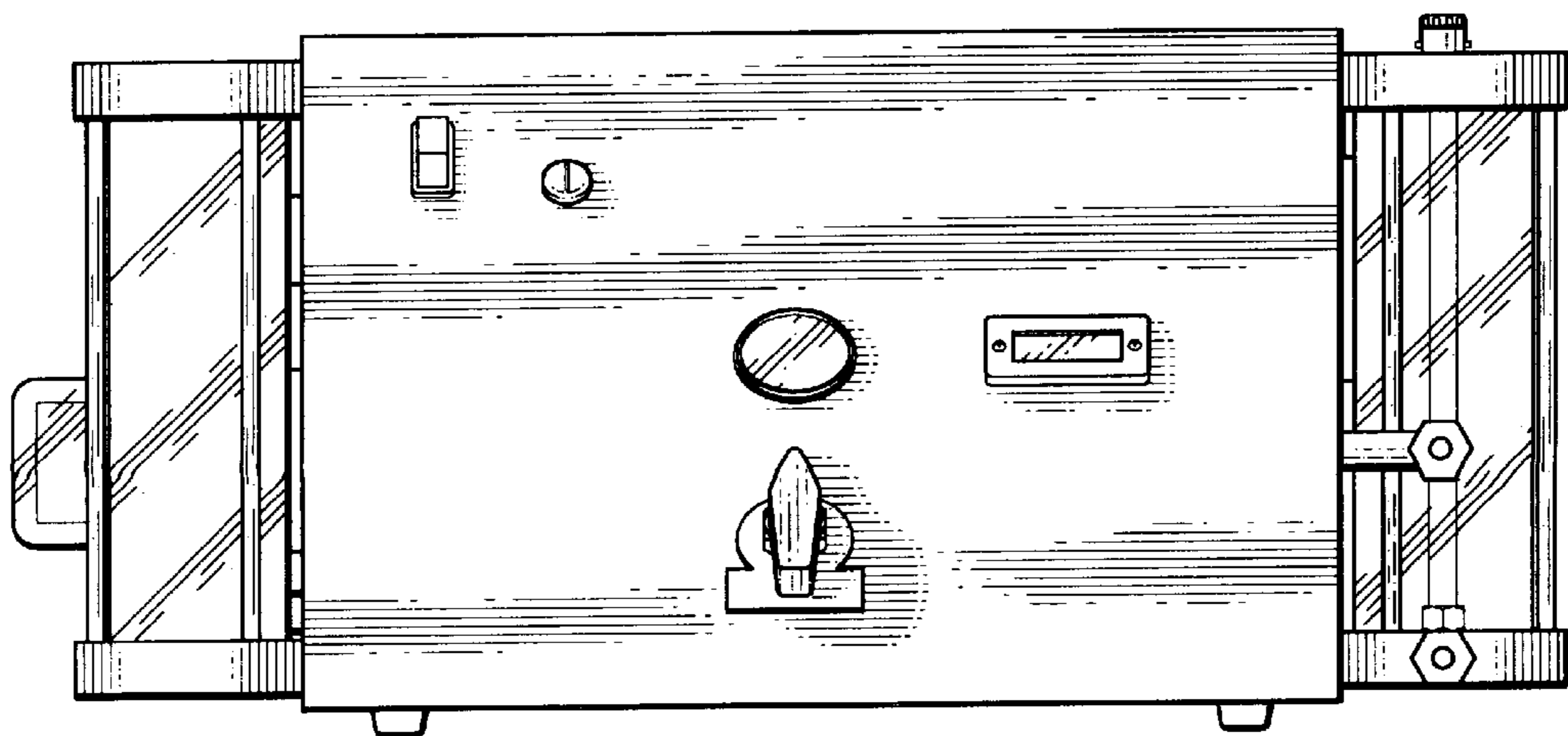


Fig. 7