



US00D424205S

United States Patent [19]
Williams

[11] **Patent Number: Des. 424,205**
[45] **Date of Patent: ** May 2, 2000**

[54] **HOLDER FOR A BABY BOTTLE**
[76] Inventor: **Michelle M. Williams**, 532 E. Wood Ave., Apt. B, Springfield, Ill. 62702
[**] Term: **14 Years**
[21] Appl. No.: **29/084,164**
[22] Filed: **Feb. 25, 1998**

D. 320,455 10/1991 Malcolm D24/199
D. 340,991 11/1993 Clements D24/199
D. 378,795 4/1997 King D7/608
D. 404,974 2/1999 Kristinik D7/608
2,115,654 4/1938 Swofford 215/12.1
3,613,761 10/1971 Moody 215/11.6

Primary Examiner—Stella Reid
Attorney, Agent, or Firm—Fitch, Even, Tabin & Flannery

Related U.S. Application Data

[63] Continuation-in-part of application No. 29/057,247, Jul. 19, 1996, abandoned.

[51] **LOC (7) Cl.** **07-01**
[52] **U.S. Cl.** **D24/199**
[58] **Field of Search** D24/199; 248/102, 248/103, 104, 105, 106, 107; D7/605, 607, 608; 215/13.1, 12.1, 395; 220/739, 737, 903

[57] **CLAIM**

I claim the ornamental design for a holder for a baby bottle, as shown and described.

DESCRIPTION

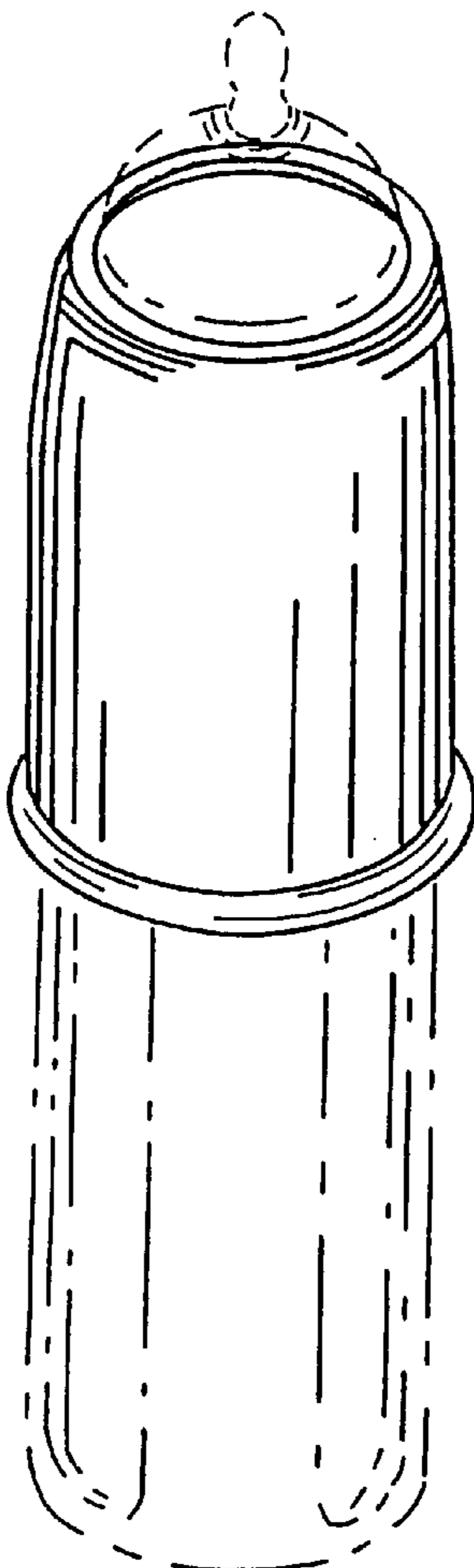
FIG. 1 is a perspective view of a holder for a baby bottle, showing my new design, the broken line showing of the baby bottle is for illustrative purposes only and forms no part of the claimed design;
FIG. 2 is a side elevational view thereof, with all other sides being identical thereto;
FIG. 3 is a top plan view thereof, taken in the direction of line 3—3 in FIG. 2; and,
FIG. 4 is a bottom plan view thereof, taken in the direction of line 4—4 in FIG. 2.

[56] **References Cited**

U.S. PATENT DOCUMENTS

D. 227,513 6/1973 Moody 220/903
D. 300,560 4/1989 Losito D24/199

1 Claim, 1 Drawing Sheet



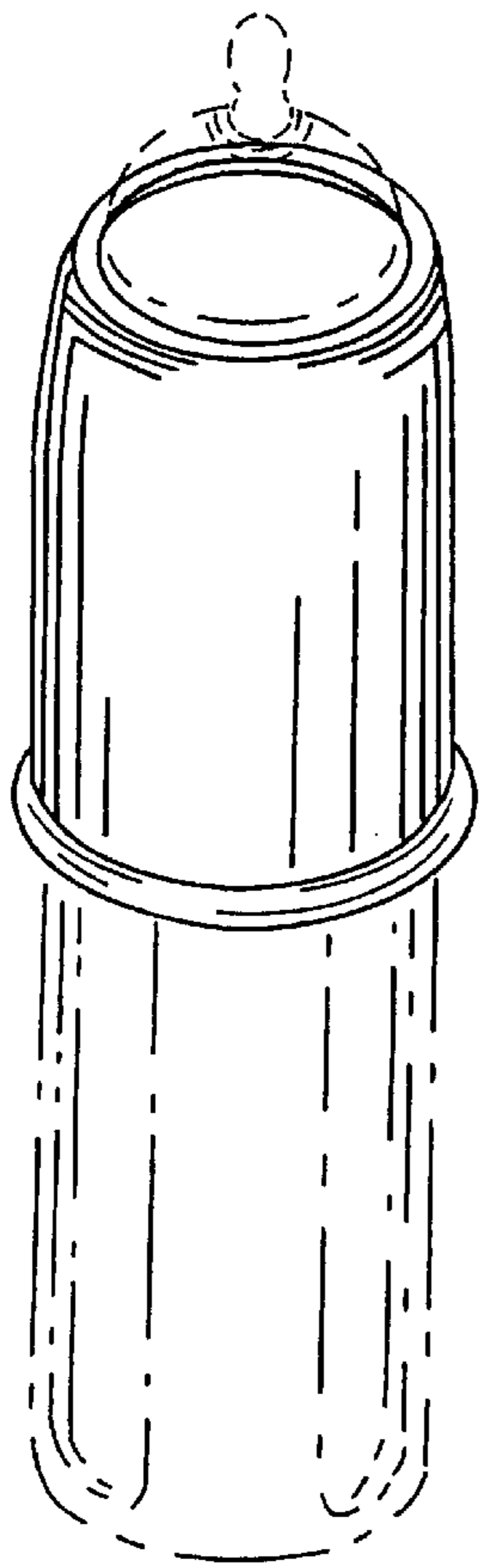


Fig.1

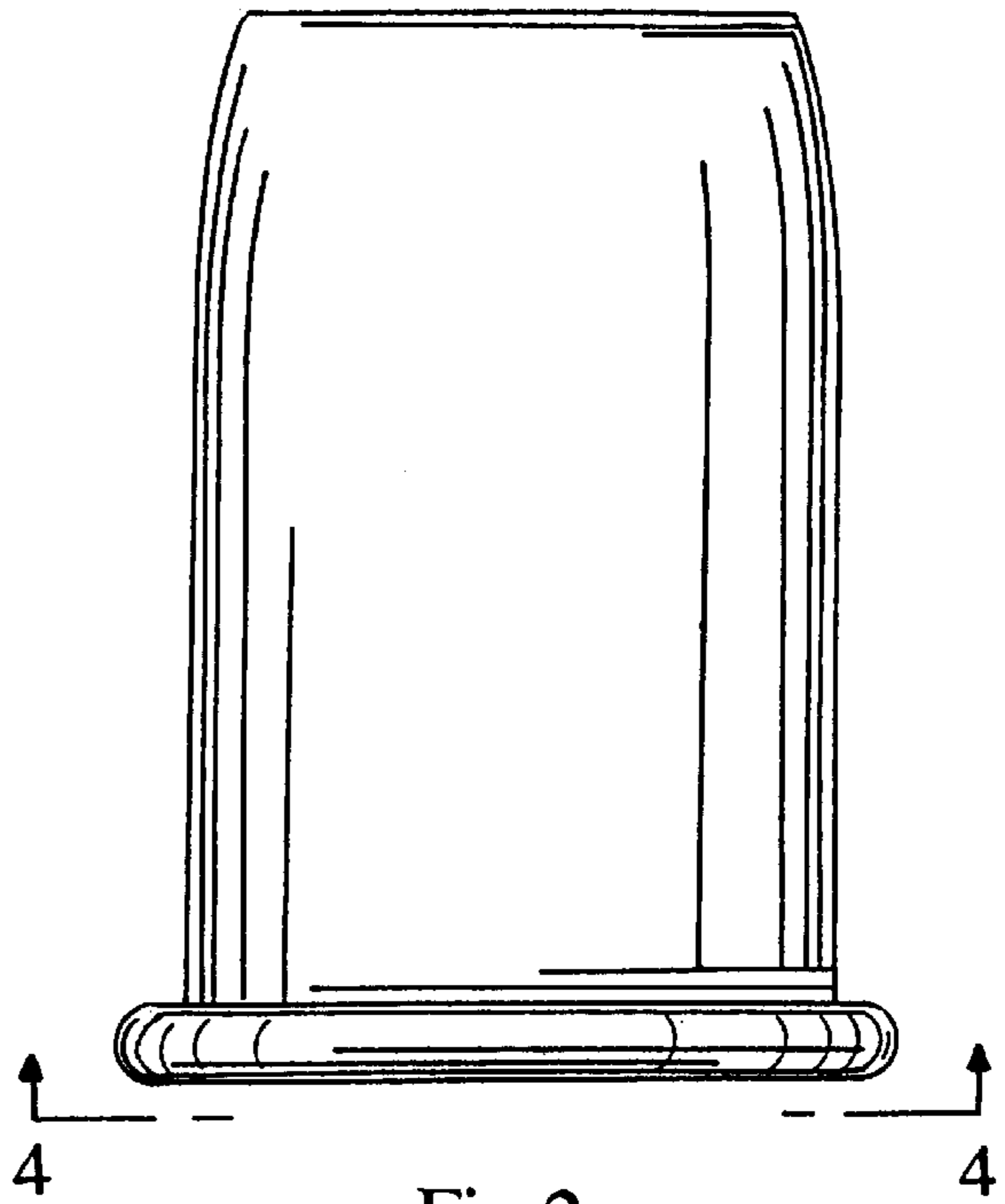


Fig.2

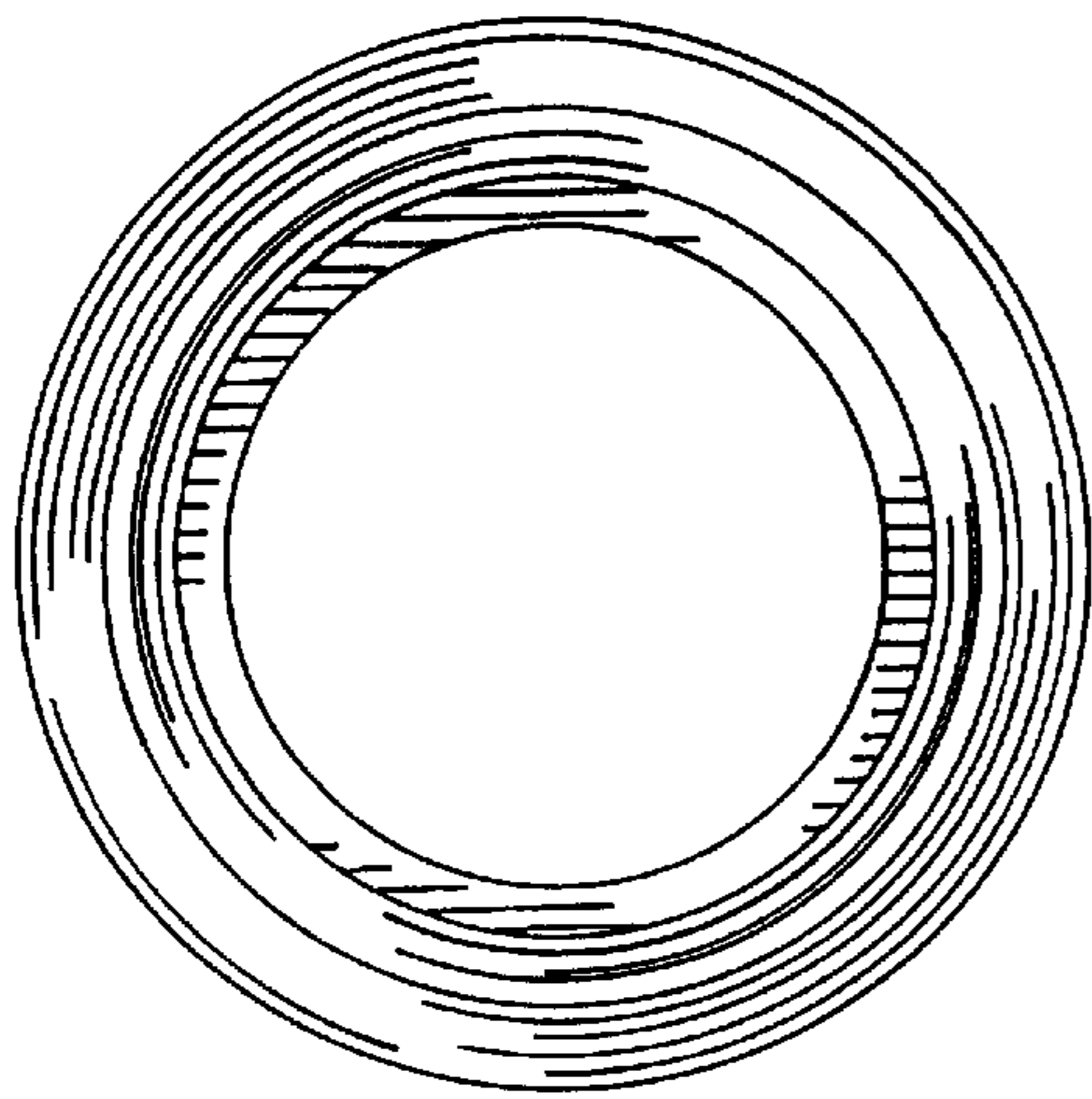


Fig.3

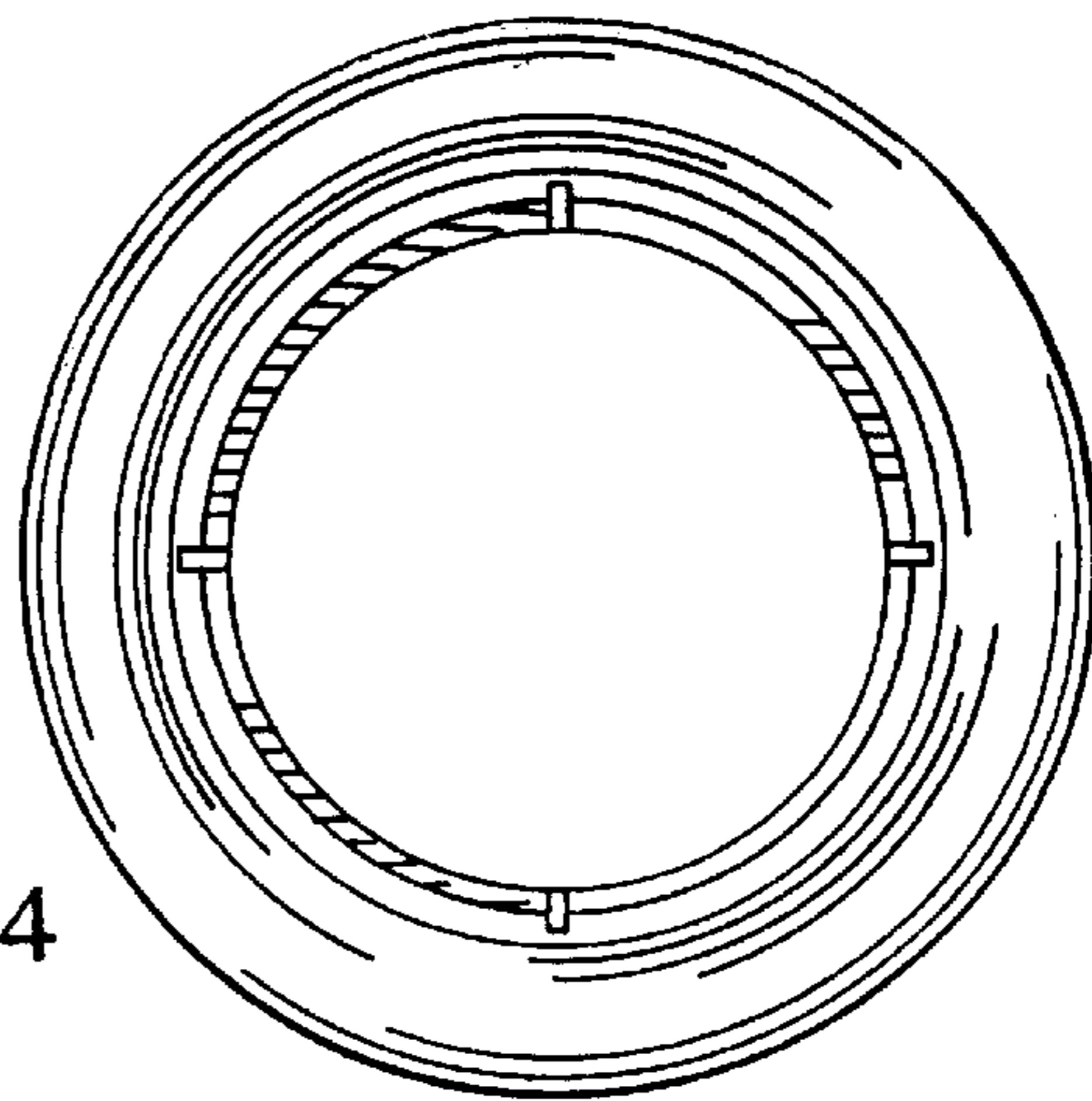


Fig.4