



US00D424203S

**United States Patent** [19]  
**Nowak**

[11] **Patent Number: Des. 424,203**

[45] **Date of Patent: \*\* May 2, 2000**

[54] **TEETHER**

1,117,093 11/1914 Ripley ..... 606/235  
3,633,587 1/1972 Hunt ..... 606/233  
3,690,324 9/1972 Spivak ..... 606/234

[75] Inventor: **Ralph M. Nowak**, Marblehead, Mass.

[73] Assignee: **The First Years, Inc.**, Mission Viejo, Calif.

*Primary Examiner*—Stella Reid  
*Attorney, Agent, or Firm*—Fish & Richardson P.C.

[\*\*] Term: **14 Years**

[57] **CLAIM**

[21] Appl. No.: **29/091,124**

The ornamental design for a teether, as shown and described.

[22] Filed: **Jul. 23, 1998**

**DESCRIPTION**

[51] **LOC (7) Cl.** ..... **24-04**

FIG. 1 is a perspective view of a teether, showing my new design;

[52] **U.S. Cl.** ..... **D24/194**

FIG. 2 is a left side view thereof, the right side view being identical thereto;

[58] **Field of Search** ..... D24/194, 193;  
606/234, 235, 236; D21/408

FIG. 3 is a front elevational view thereof, the rear elevational view being identical thereto;

[56] **References Cited**

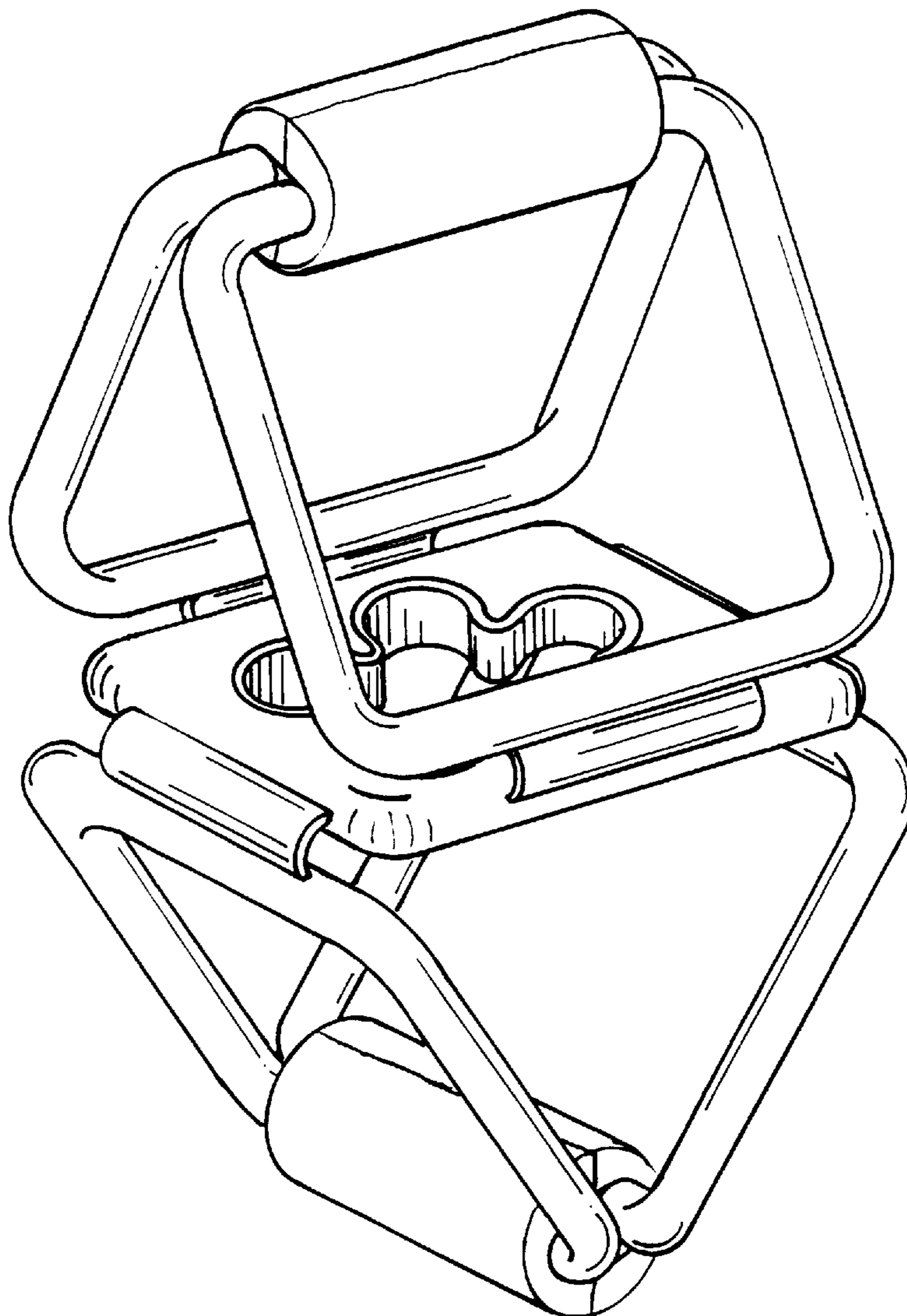
FIG. 4 is a top plan view thereof; and,

**U.S. PATENT DOCUMENTS**

FIG. 5 is a bottom plan view thereof.

D. 344,987 3/1994 Spence, Jr. .... D24/195 X  
D. 345,995 4/1994 Spence, Jr. .... D24/195 X

**1 Claim, 3 Drawing Sheets**



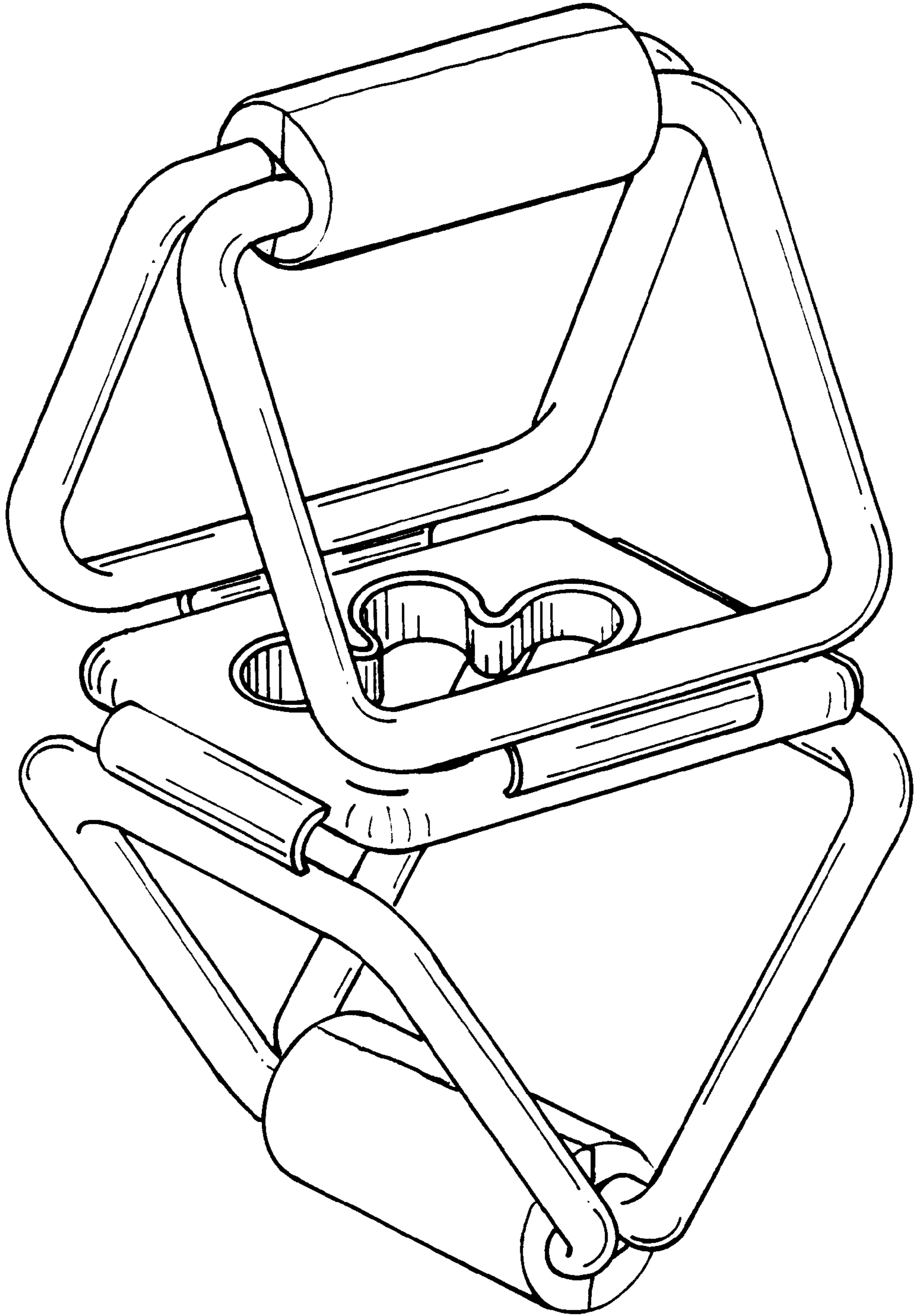


FIG. 1

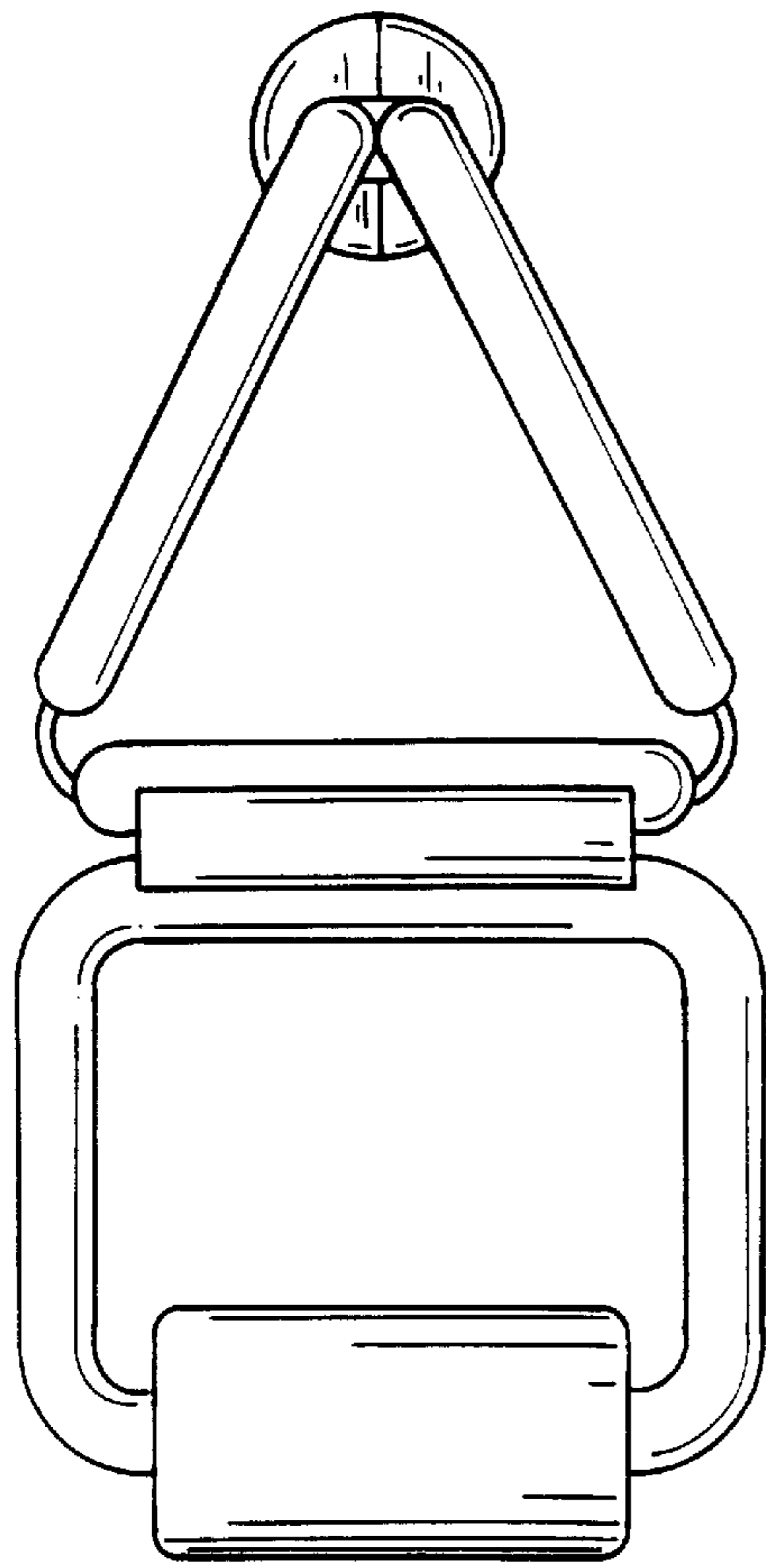


FIG. 2

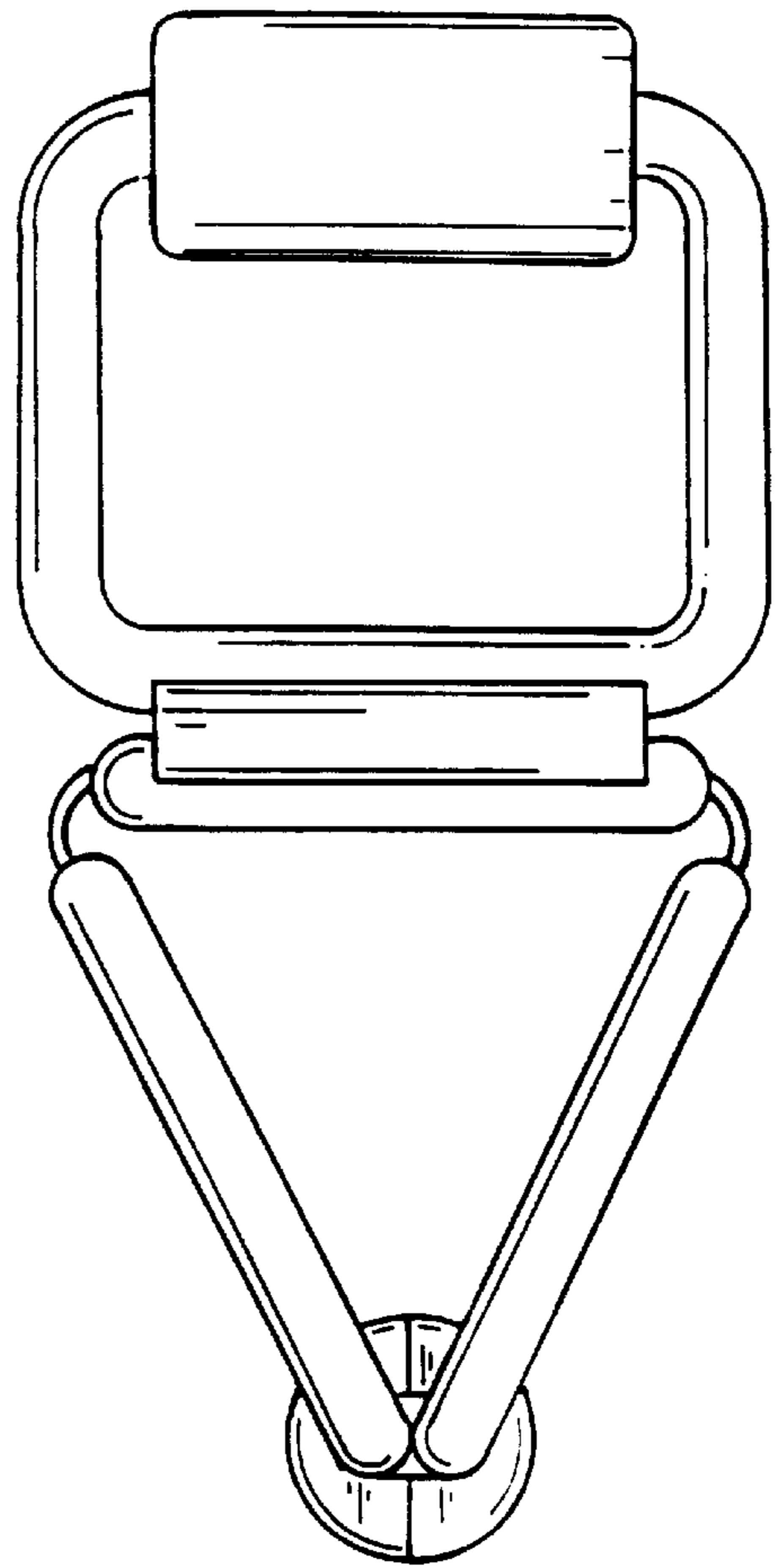


FIG. 3

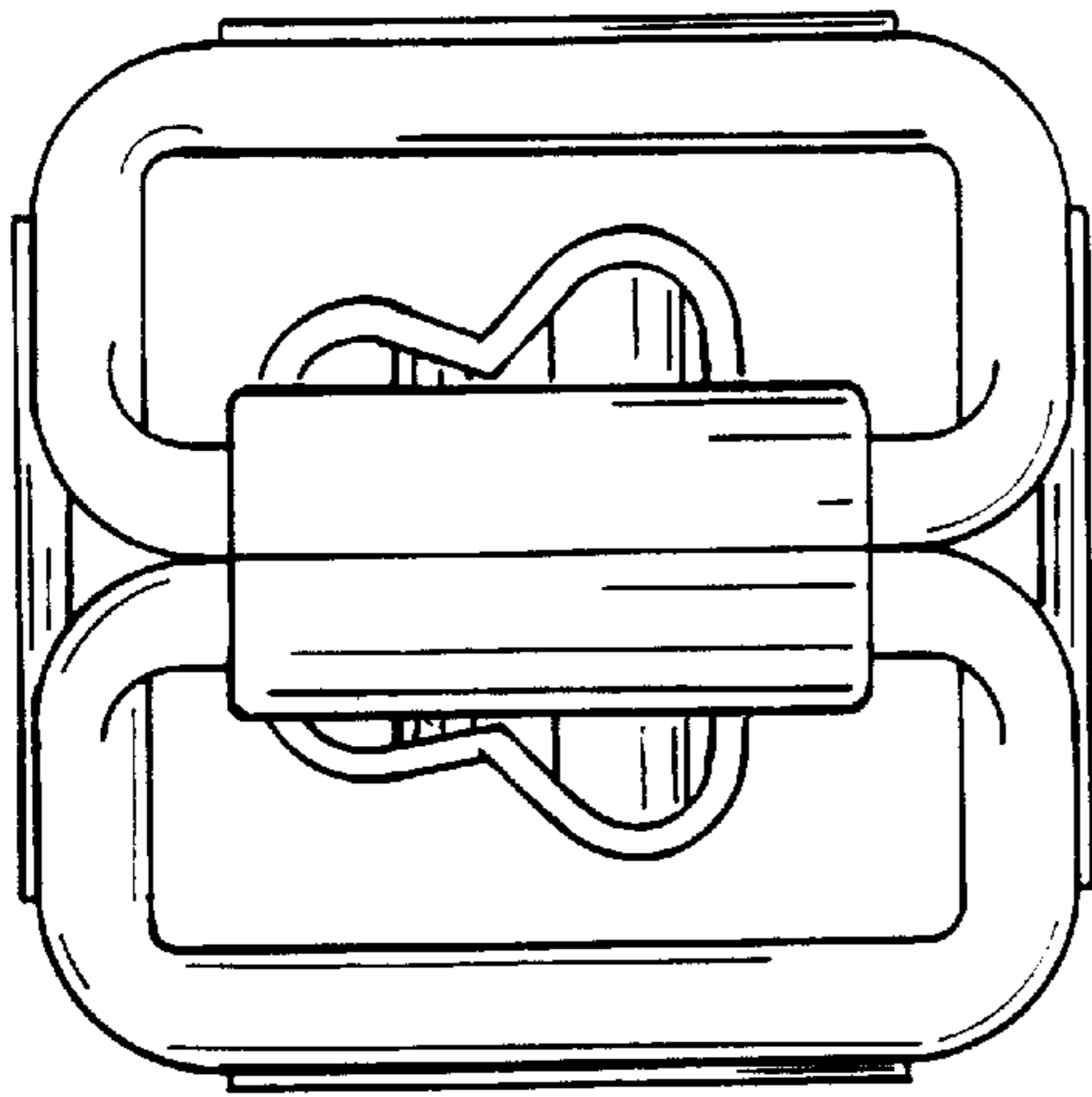


FIG. 4

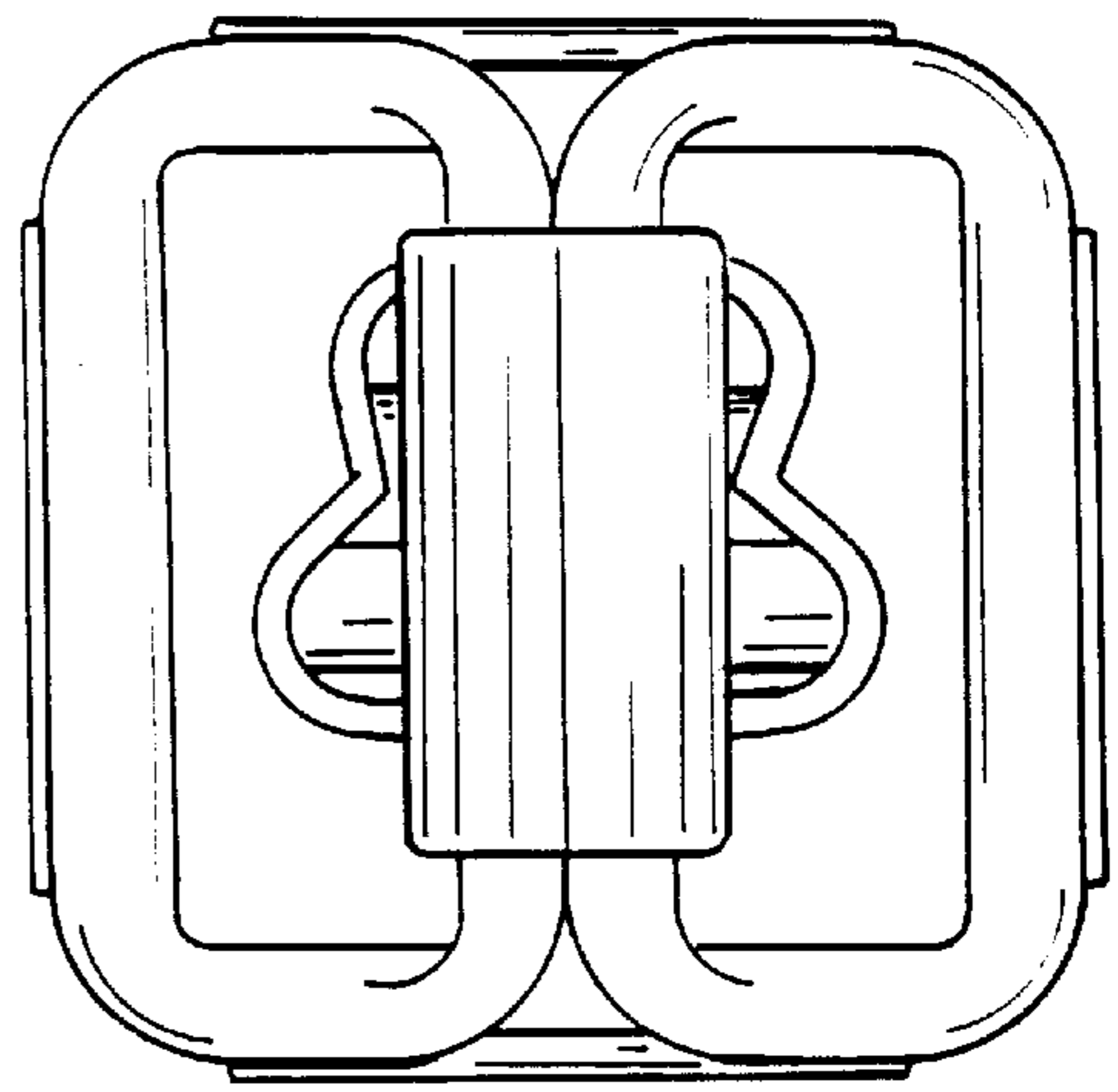


FIG. 5