



US00D424200S

United States Patent [19] Smith

[11] Patent Number: **Des. 424,200**

[45] Date of Patent: **** May 2, 2000**

[54] **COVER FOR AN INSTRUMENT DELIVERY ARM**

5,626,322 5/1997 Braun .
5,928,263 7/1999 Hoogeboom 606/205

[75] Inventor: **Neil F. Smith**, Hanover, Pa.

[73] Assignee: **Reliance Medical Products, Inc.**,
Mason, Ohio

[**] Term: **14 Years**

[21] Appl. No.: **29/098,412**

[22] Filed: **Dec. 29, 1998**

[51] **LOC (7) Cl.** **24-01**

[52] **U.S. Cl.** **D24/172**

[58] **Field of Search** D24/172; 351/245;
312/209, 276; 150/154, 161

[56] **References Cited**

U.S. PATENT DOCUMENTS

228,645	6/1880	Kells, Jr. .	
D. 235,274	6/1975	Armbruster	D24/172
D. 292,526	10/1987	Nakayama	D24/172
D. 293,734	1/1988	Bays	D24/133
D. 378,315	3/1997	Schwaegerle et al.	D24/172
1,184,503	5/1916	Alden .	
1,556,413	10/1925	Buettner .	
1,795,296	3/1931	De Zeng .	
3,122,348	2/1964	Wilkinson .	
4,643,547	2/1987	Collins et al.	351/245
4,905,711	3/1990	Bennett et al. .	

OTHER PUBLICATIONS

Marco Ophthalmic, *Delux Stands and Arms*, Leaflet, undated.

Topcon Corporation, *Ophthalmic Chairs and Stands*, Brochure, undated.

Reliance Medical Products, Inc., *Reliance 7000 Ophthalmic Wall Units*, Leaflet, undated.

Reichert Ophthalmic Instruments, *The Premier™ Advanced Positioning System*, Leaflet, Oct. 1991.

Primary Examiner—Stella Reid

Attorney, Agent, or Firm—Wood, Herron & Evans, L.L.P.

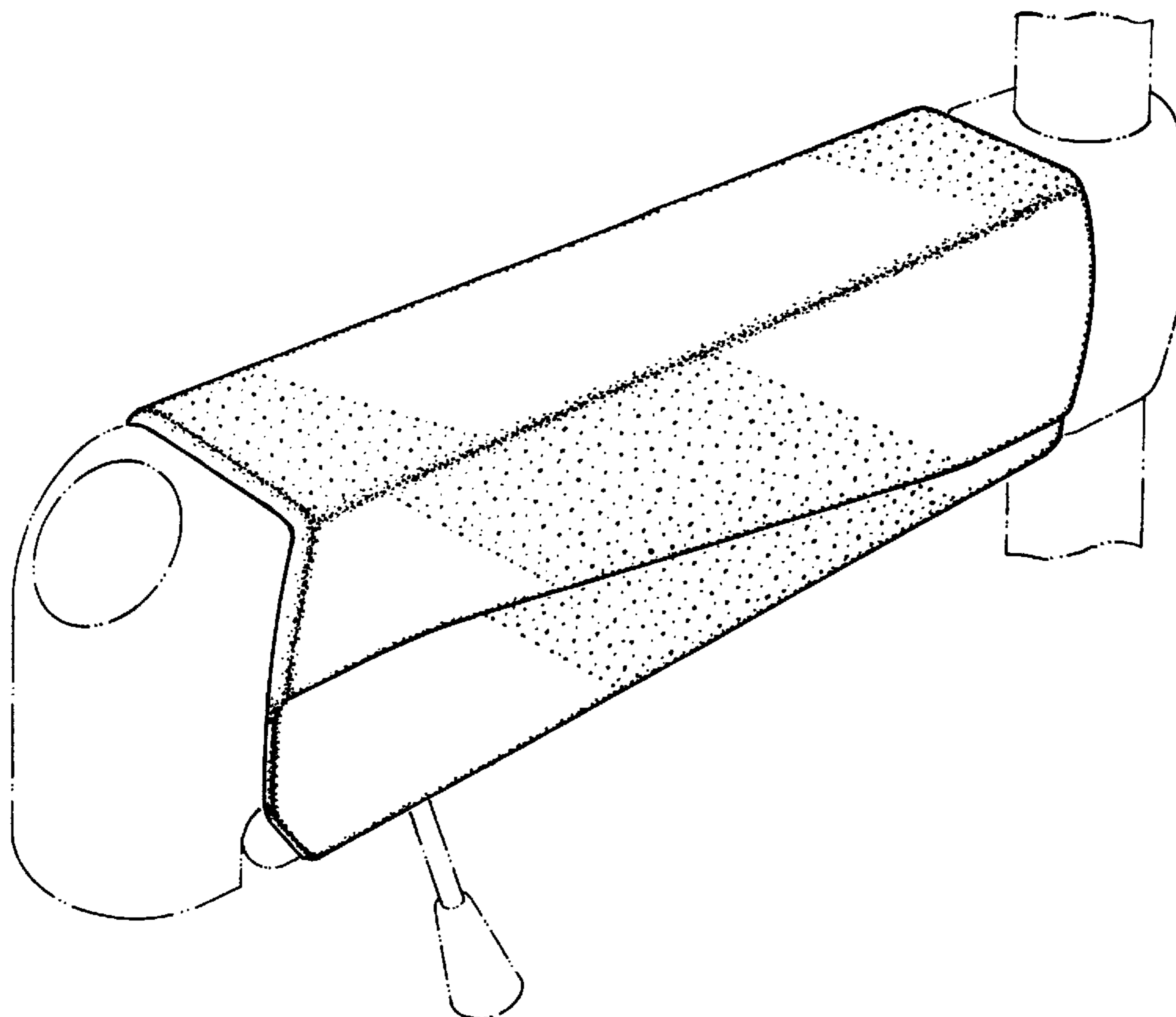
[57] **CLAIM**

The ornamental design for a cover for an instrument delivery arm, as shown and described.

DESCRIPTION

FIG. 1 is a perspective view of the cover for an instrument delivery arm;
FIG. 2 is a left side elevational view thereof with the right side elevational view being a mirror image;
FIG. 3 is a front elevational view thereof;
FIG. 4 is a rear view thereof;
FIG. 5 is a top plan view thereof; and,
FIG. 6 is a bottom view thereof.

1 Claim, 2 Drawing Sheets



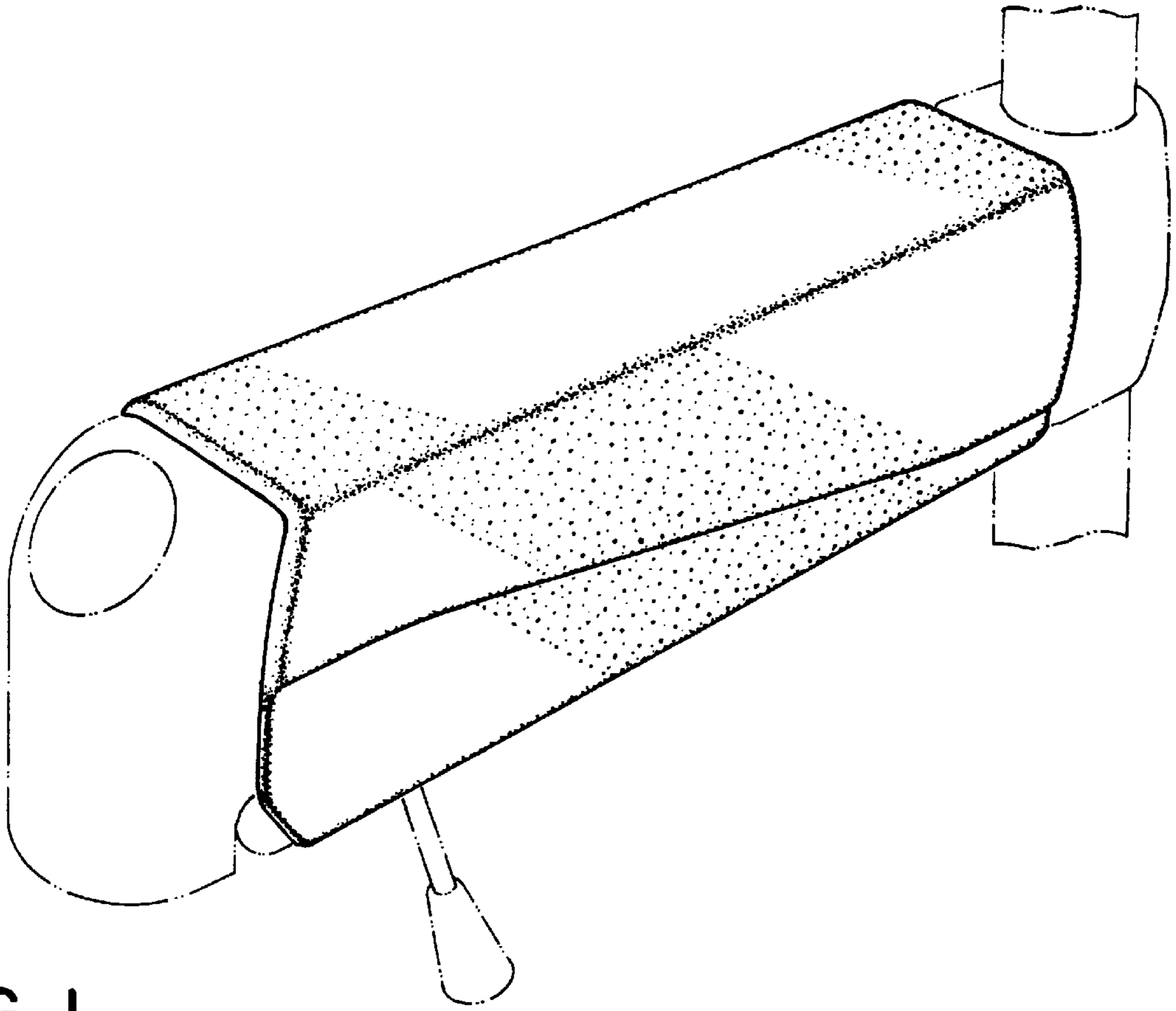


FIG. 1

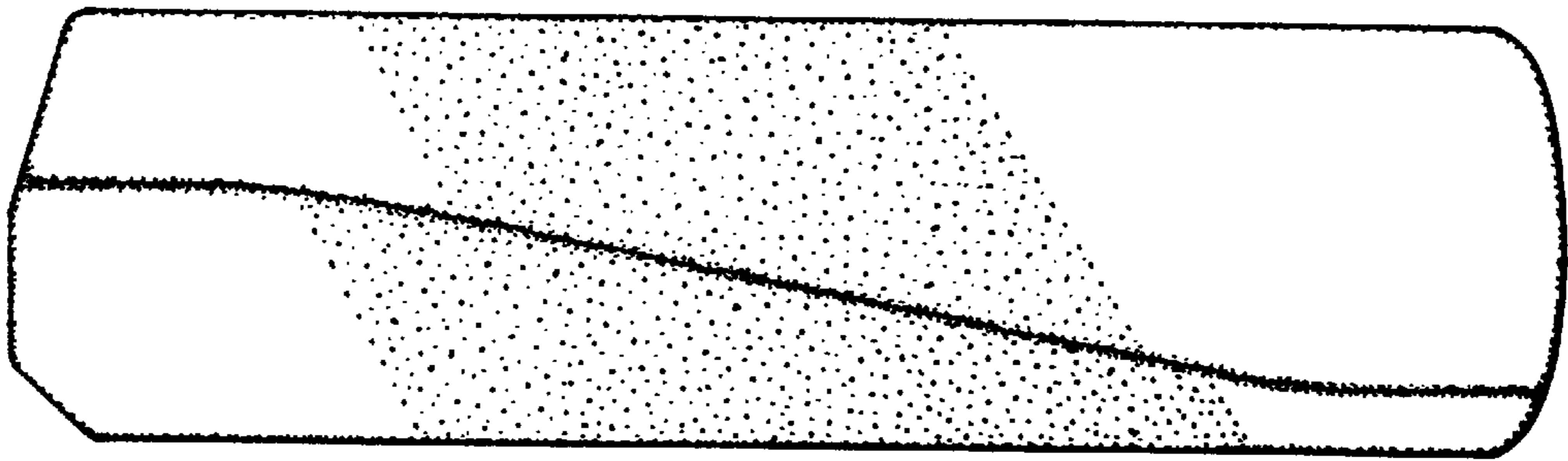


FIG. 2

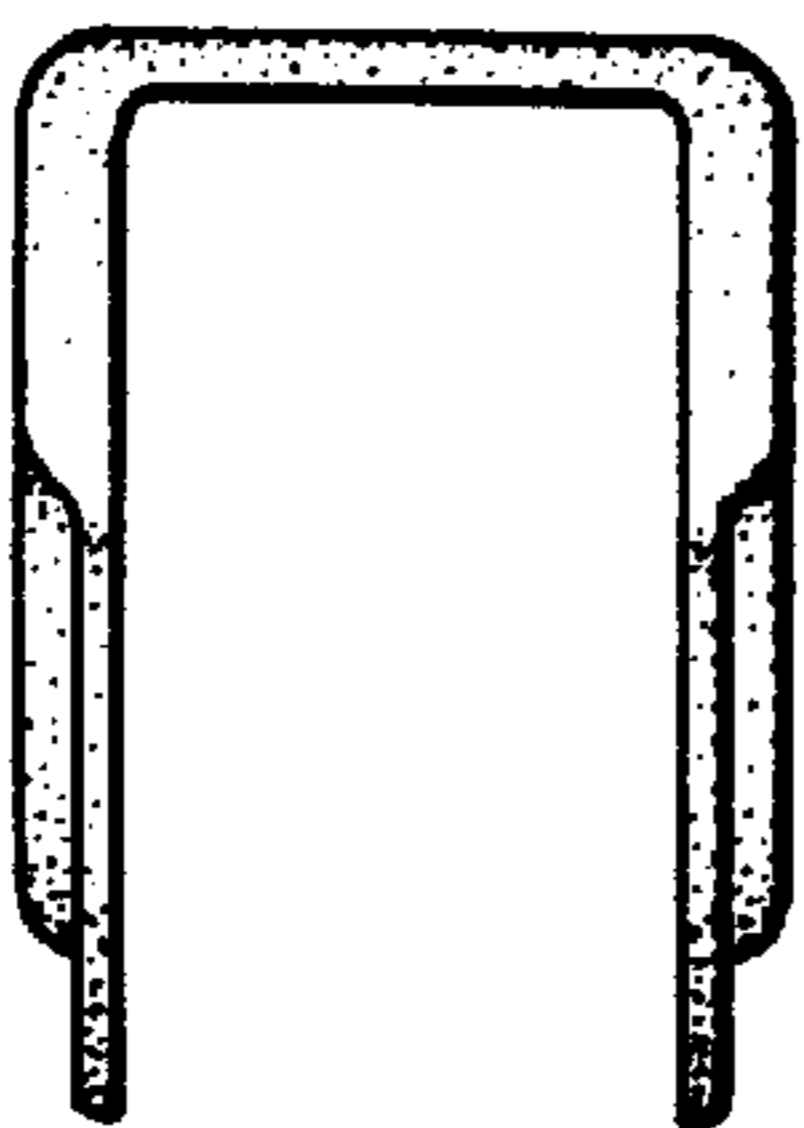


FIG. 3

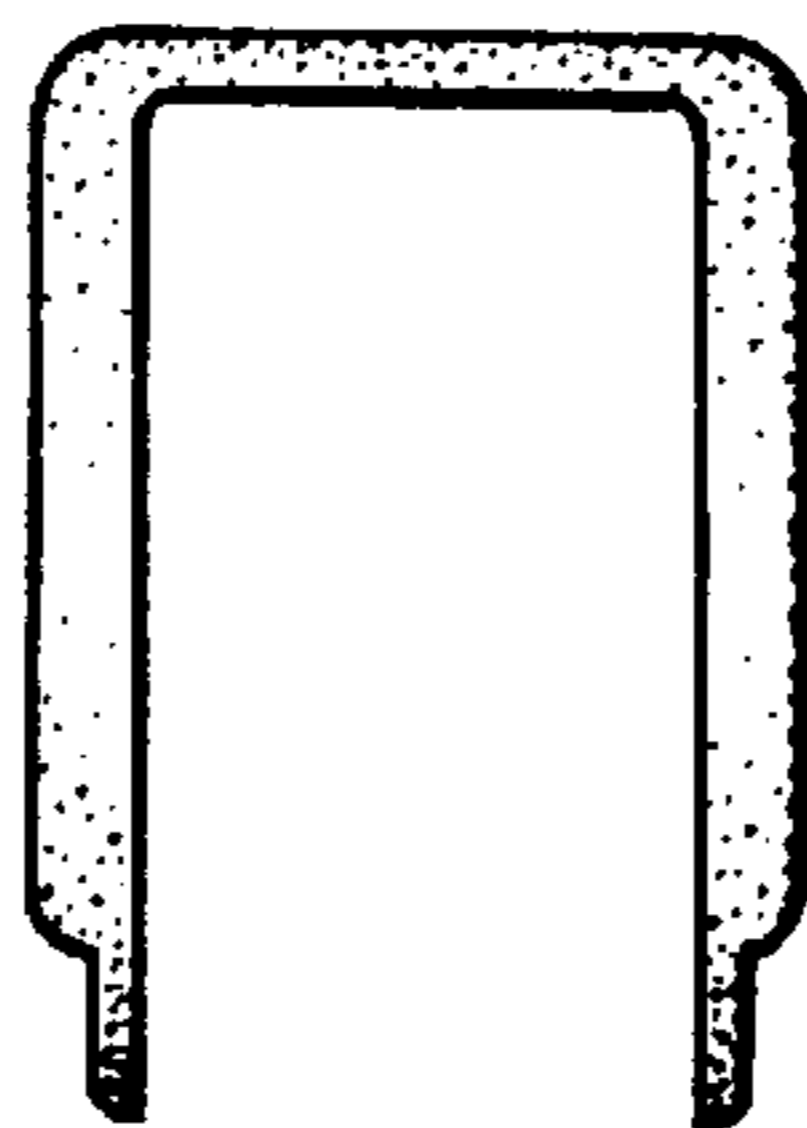


FIG. 4

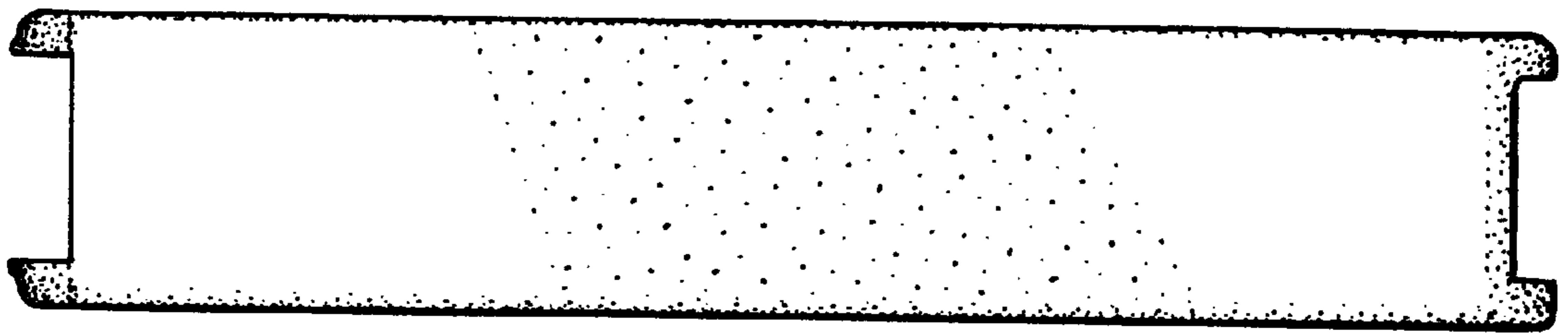


FIG. 5

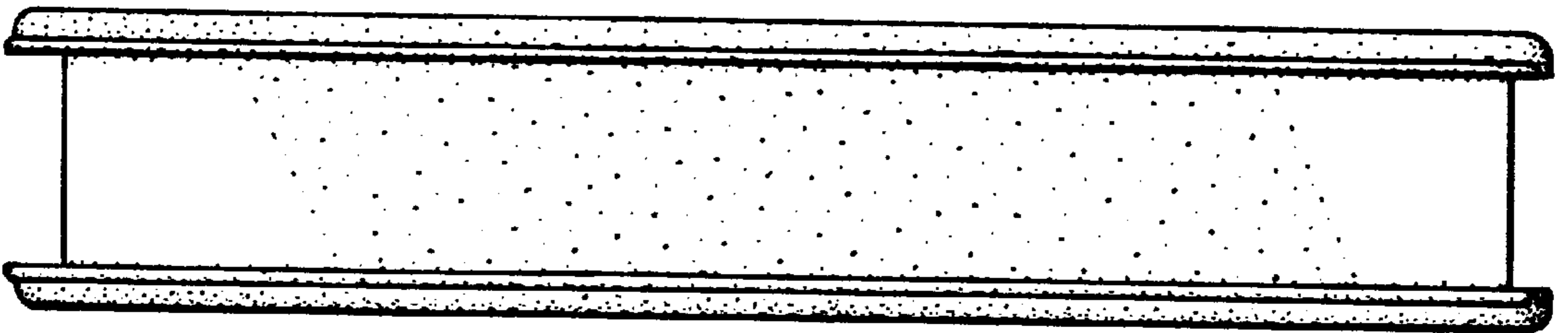


FIG. 6