



US00D424199S

United States Patent [19]

[11] Patent Number: **Des. 424,199**

Wells

[45] Date of Patent: **** May 2, 2000**

[54] **HOUSING ASSEMBLY FOR RADIATION DETECTION**

4,801,803	1/1989	Denen et al.	250/336.1
5,070,878	12/1991	Denen	128/659
5,813,985	9/1998	Carroll	600/436
5,928,150	7/1999	Call	600/436

[75] Inventor: **Timothy N. Wells**, Ridgefield, Conn.

Primary Examiner—Stella Reid

[73] Assignee: **United States Surgical Corporation**, Norwalk, Conn.

[57] **CLAIM**

[**] Term: **14 Years**

The ornamental design for the housing assembly for radiation detection, as shown and described.

[21] Appl. No.: **29/095,473**

DESCRIPTION

[22] Filed: **Oct. 23, 1998**

FIG. 1 is a perspective view of a housing assembly for radiation detection showing my new design; FIG. 2 is a front view thereof; FIG. 3 is a rear view thereof; FIG. 4 is a first side view thereof; FIG. 5 is a second side view thereof; FIG. 6 is a top view thereof; and, FIG. 7 is a bottom view thereof.

[51] **LOC (7) Cl.** **24-01**

[52] **U.S. Cl.** **D24/158**

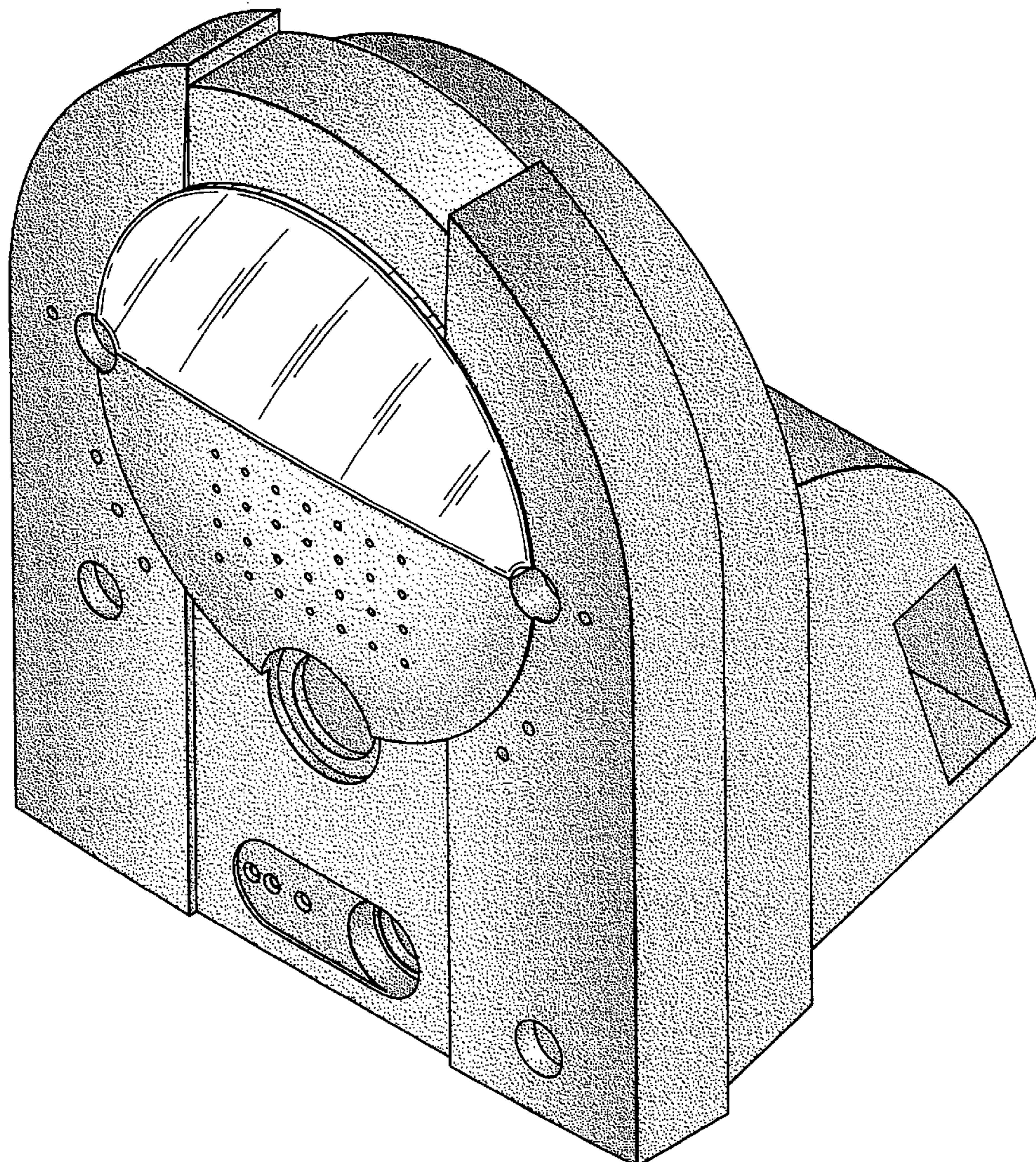
[58] **Field of Search** D24/158, 186; 600/436; 250/336.1, 370.01, 370.13, 370.7

[56] **References Cited**

U.S. PATENT DOCUMENTS

4,461,952 7/1984 Allemand et al. 250/370.07

1 Claim, 6 Drawing Sheets



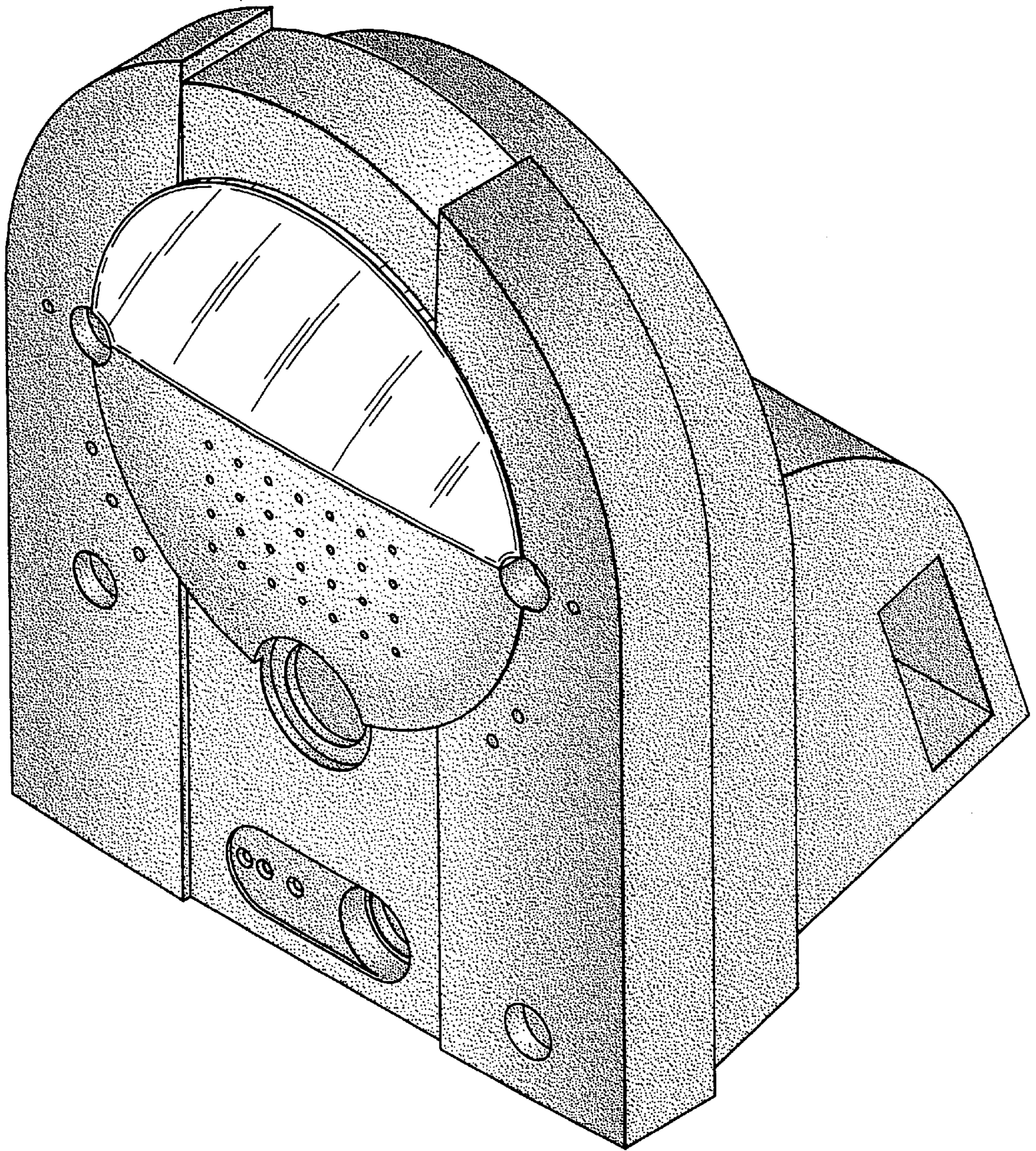


FIG. 1

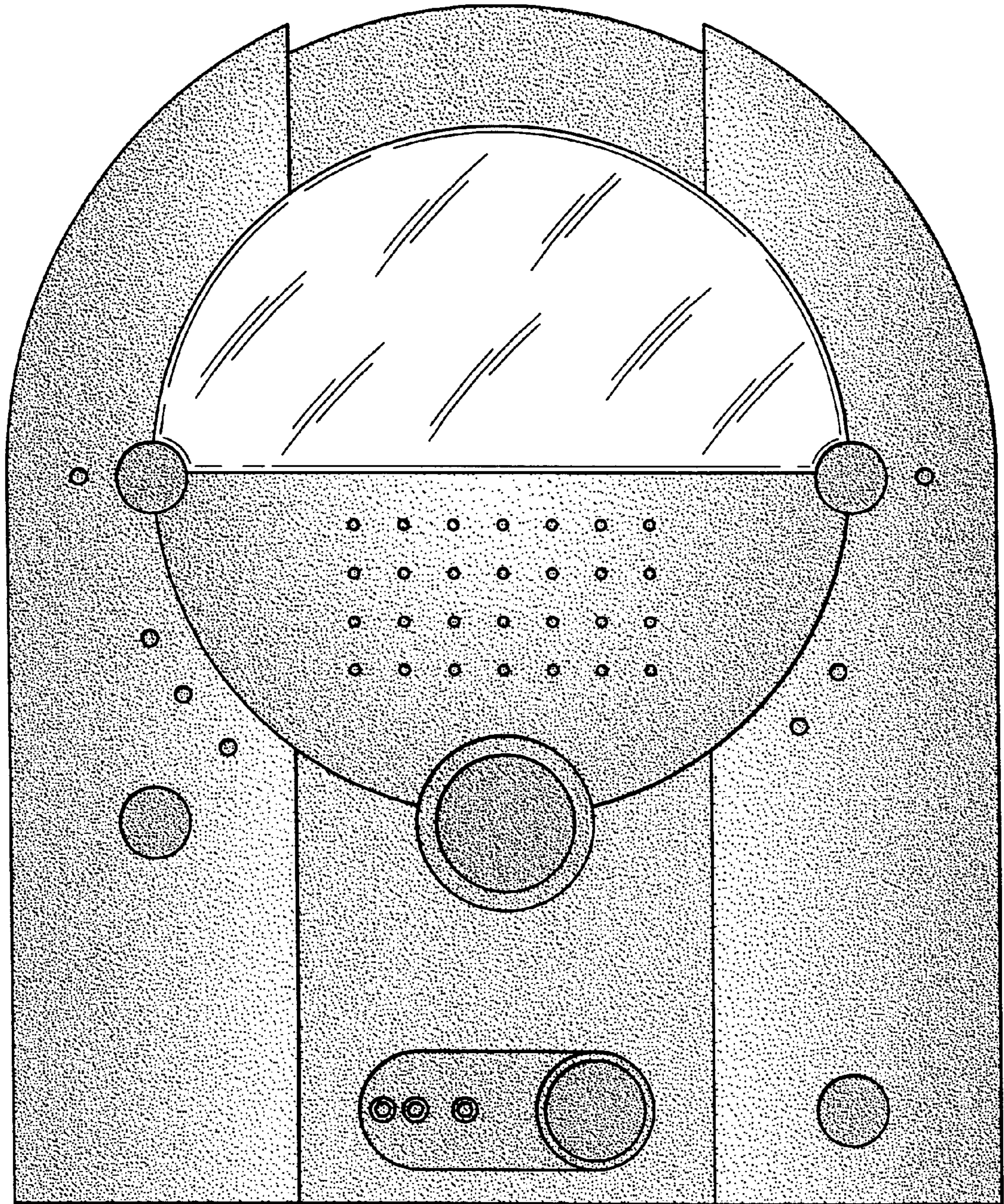


FIG. 2

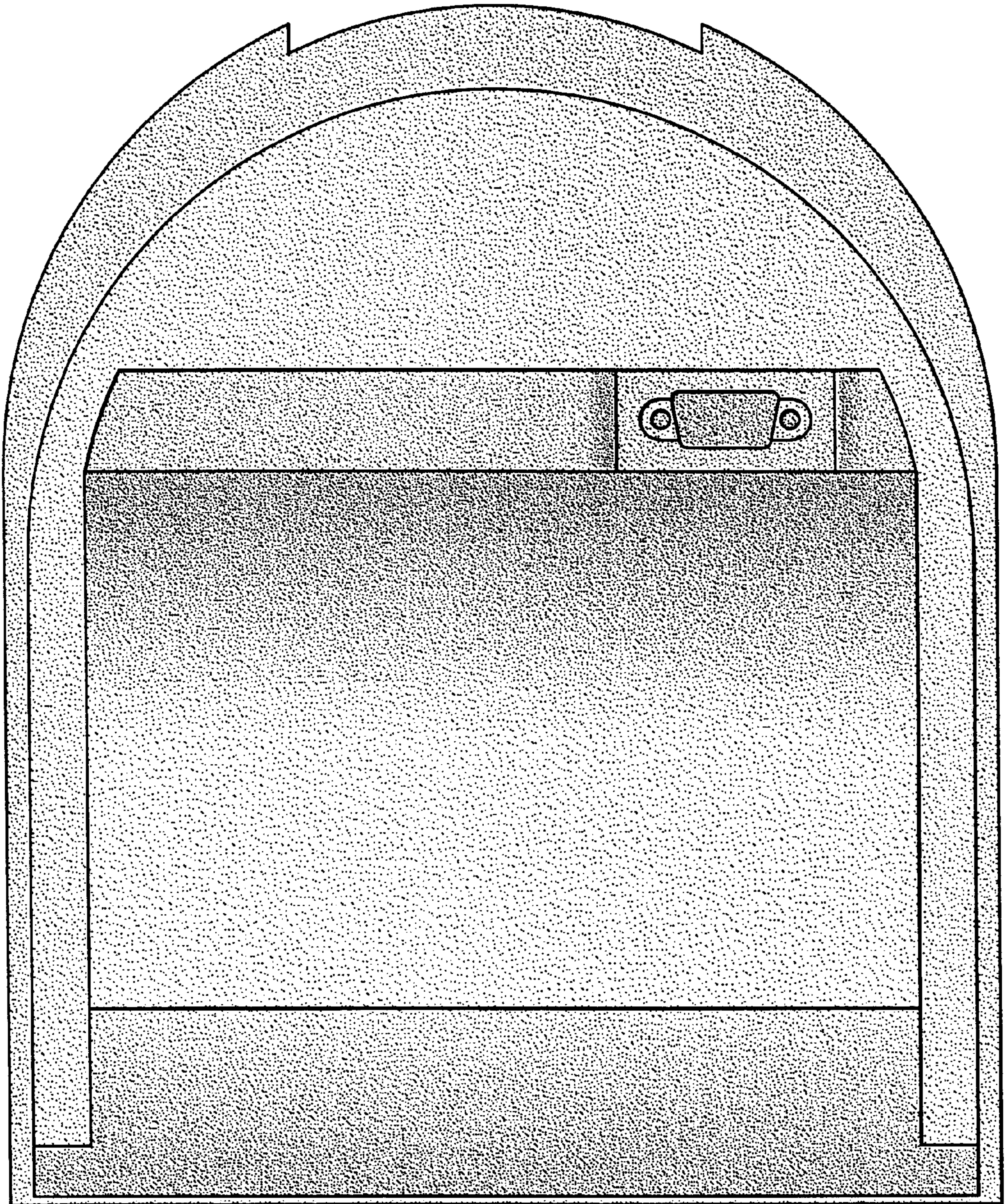


FIG. 3

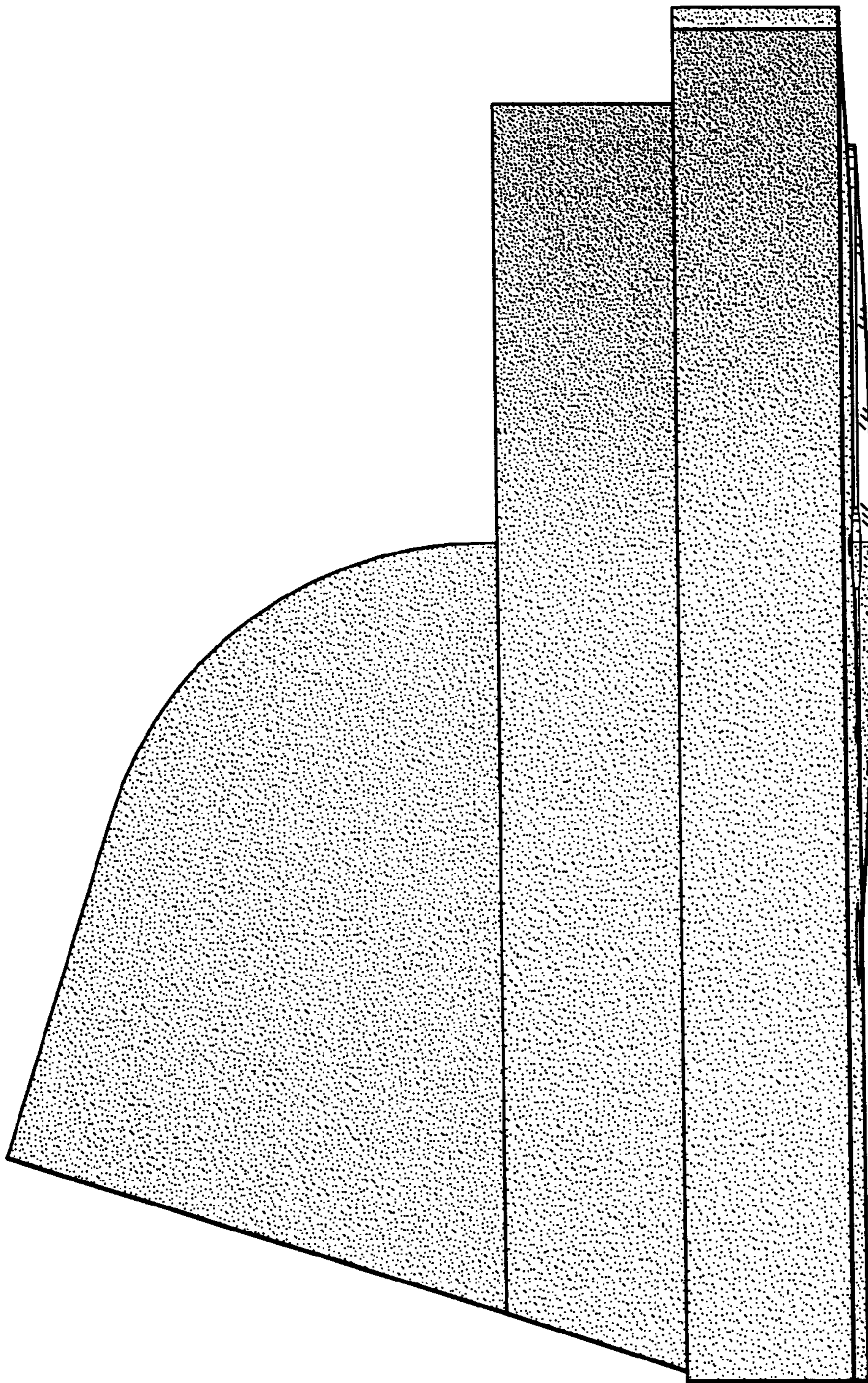


FIG. 4

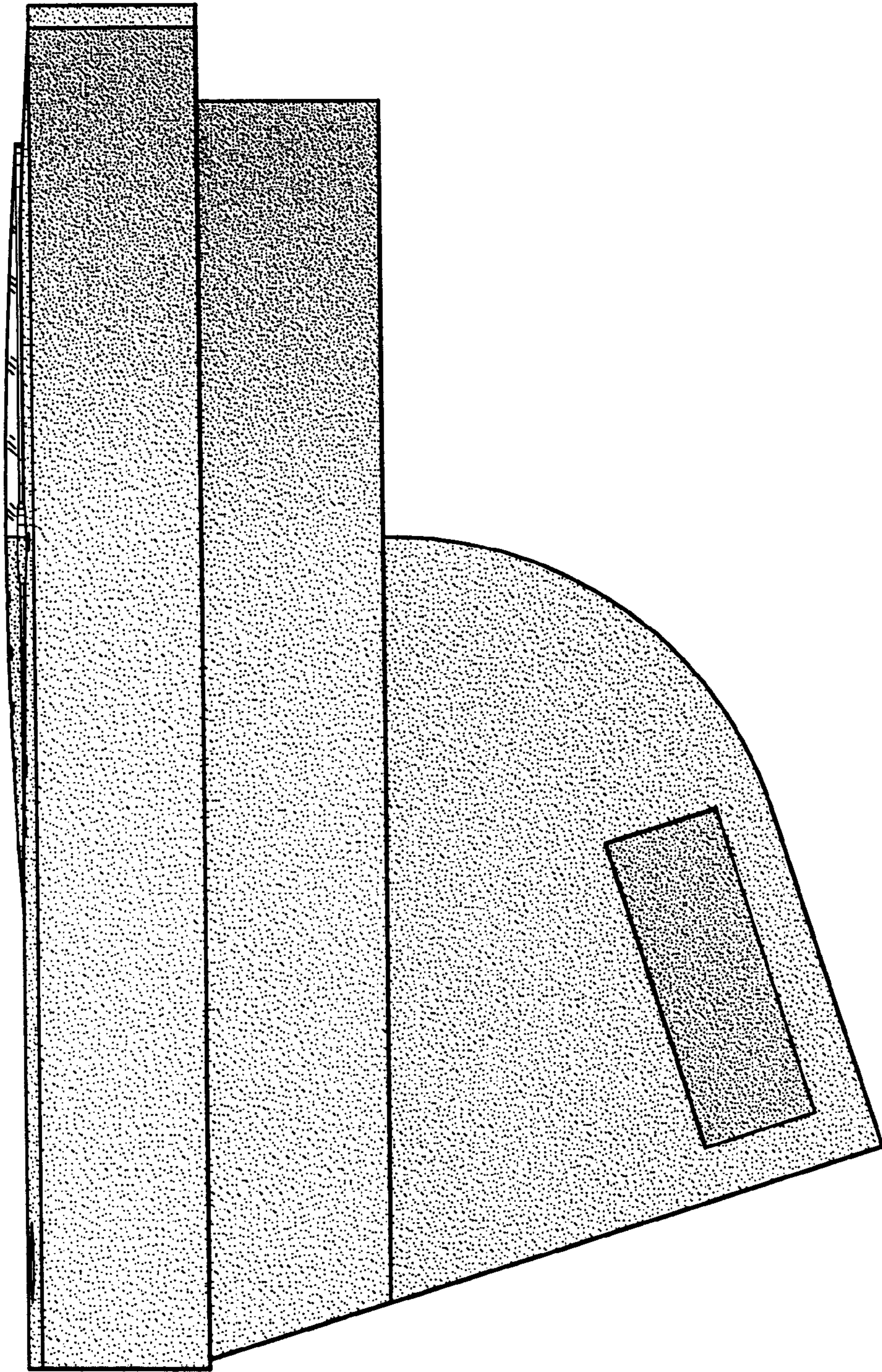


FIG. 5

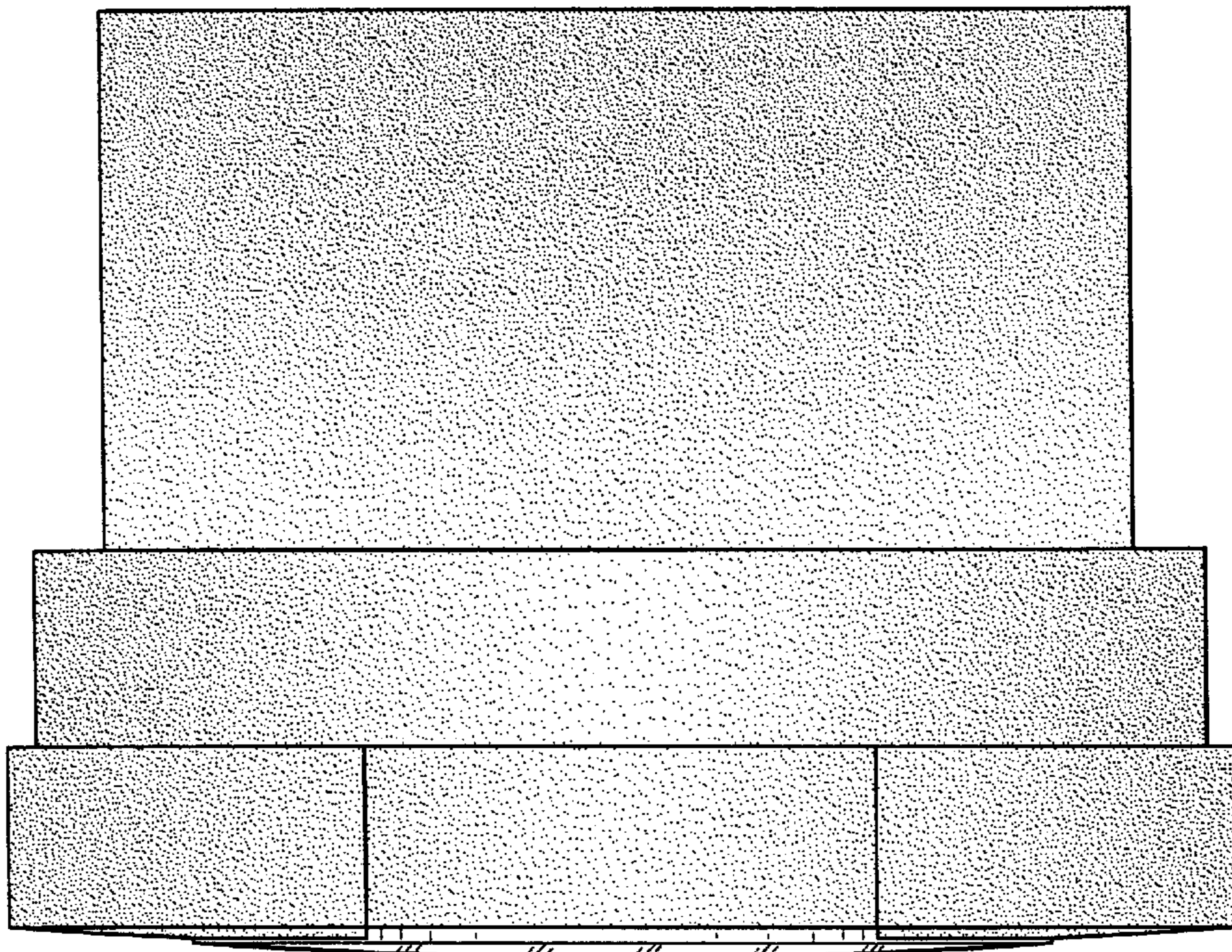


FIG. 6

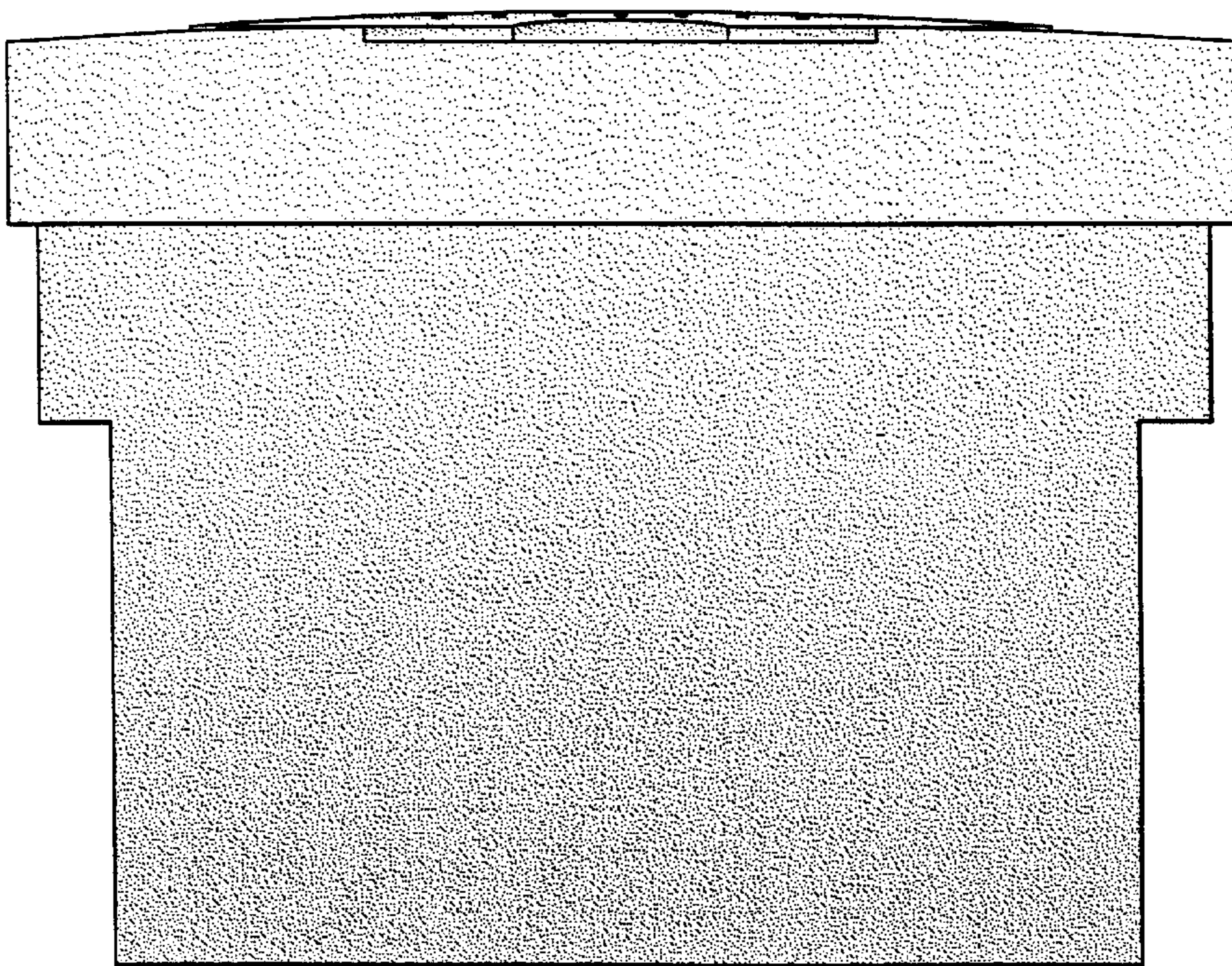


FIG. 7