



US00D424198S

**United States Patent** [19]  
**Shepherd et al.**

[11] **Patent Number: Des. 424,198**  
[45] **Date of Patent: \*\* May 2, 2000**

- [54] **X-RAY APRON HOLDER** 4,905,266 2/1990 Kuck et al. .... 378/177
- [75] Inventors: **Charles Grey Shepherd**, Oakville;  
**Donald G. Coburn**, Collingwood, both  
of Canada
- [73] Assignee: **1112923 Ontario Inc.**, Hamilton,  
Canada
- [\*\*] Term: **14 Years**
- [21] Appl. No.: **29/084,638**
- [22] Filed: **Mar. 6, 1998**
- [51] **LOC (7) Cl.** ..... **24-01**
- [52] **U.S. Cl.** ..... **D24/158**
- [58] **Field of Search** ..... D24/158; 378/208,  
378/193, 195, 204, 177; D25/102, 113;  
404/15, 6, 7, 8

*Primary Examiner*—Stella Reid  
*Attorney, Agent, or Firm*—Ingrid E. Schmidt

[57] **CLAIM**

The ornamental design for an X-ray apron holder, as shown and described.

**DESCRIPTION**

FIG. 1 is a front and left side perspective view of an X-ray apron holder showing our new design, the right side being a mirror image of the left side;  
 FIG. 2 is a similar view to FIG. 1 showing the X-ray apron holder in a stored configuration with surrounding structure drawn in broken lines;  
 FIG. 3 is an end elevation view of FIG. 1;  
 FIG. 4 is a similar view to FIG. 2 with no surrounding structure; and,  
 FIG. 5 is an end elevation view of FIG. 4.

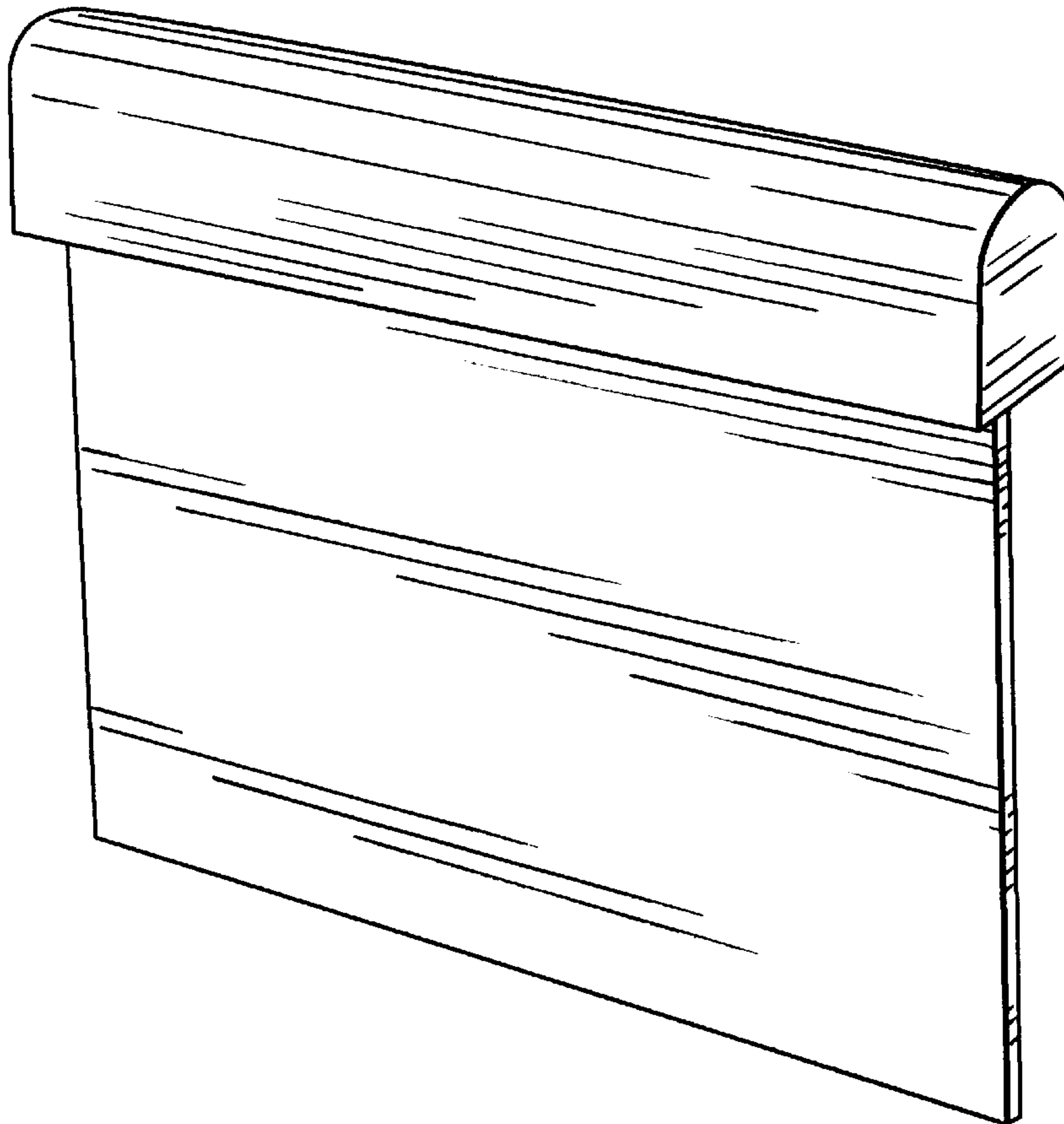
The broken line showing is for illustrative purposes only and forms no part of the claimed design.  
 The surface(s) or portion(s) not shown in the drawing or described in the specification form(s) no part of the claimed design.  
 The bottom of the article is plain and unornamented.

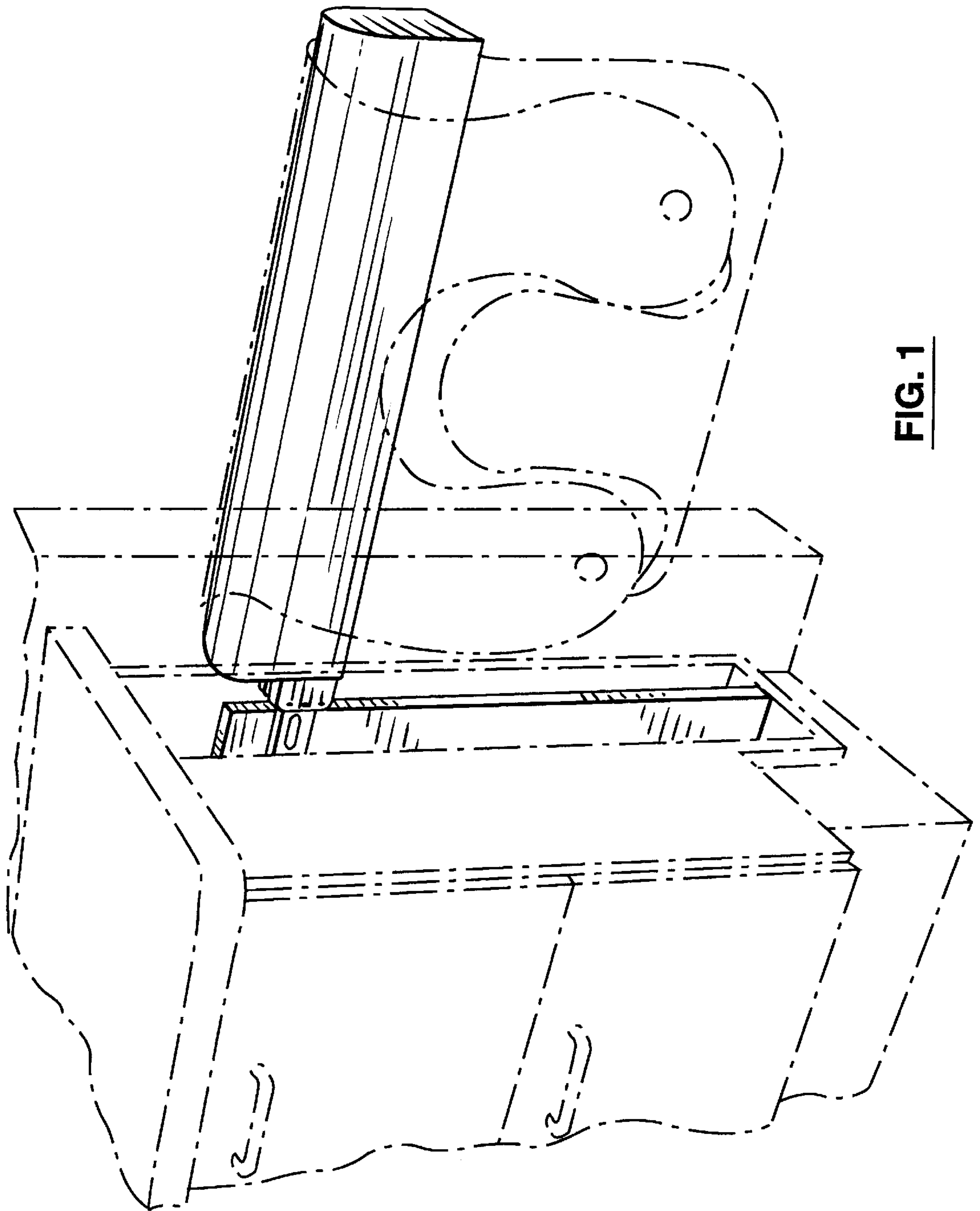
[56] **References Cited**

**U.S. PATENT DOCUMENTS**

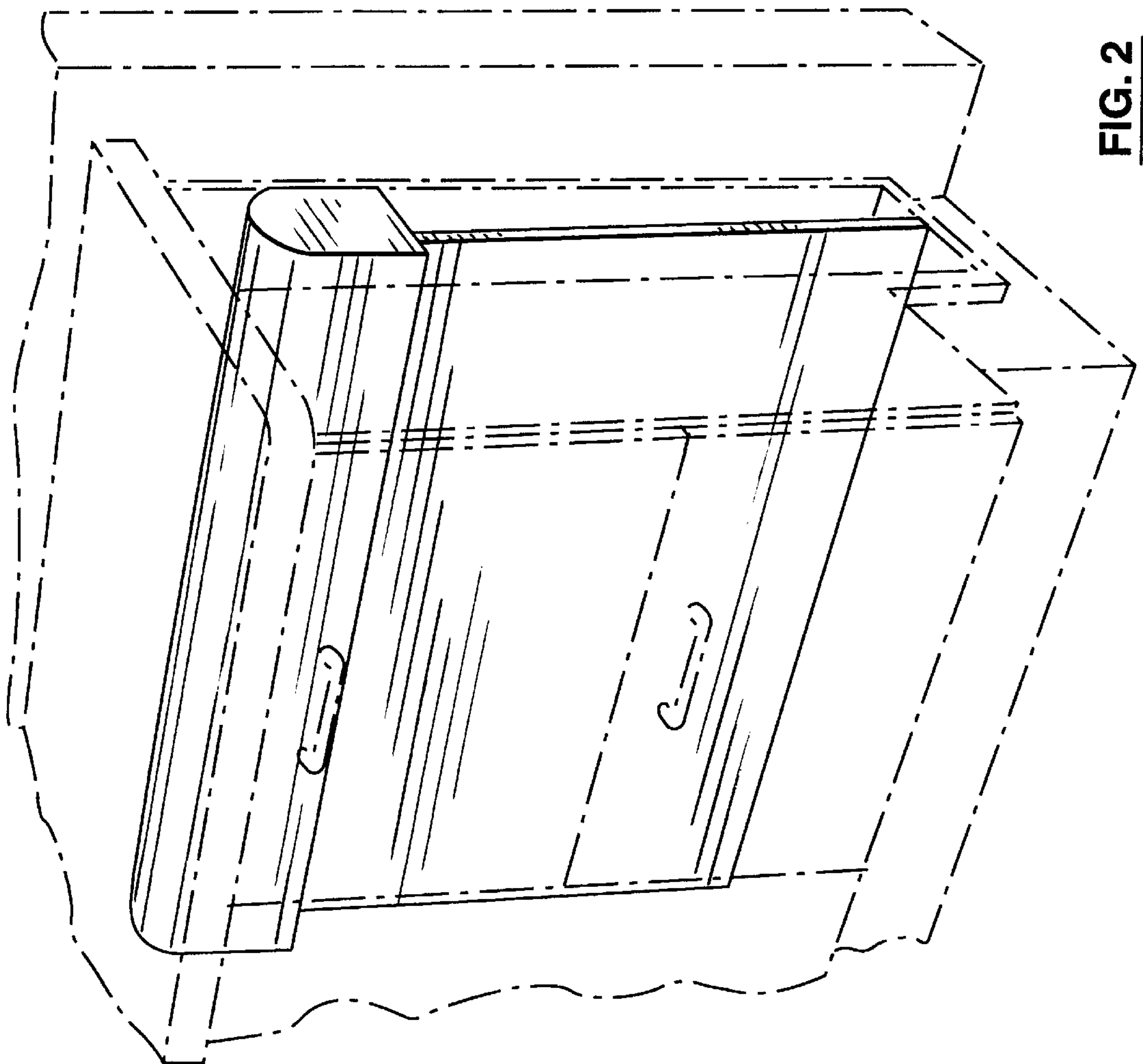
D. 387,181	12/1997	Sinclair	.....	D25/102
D. 393,320	4/1998	Sinclair	.....	D25/102
D. 406,345	3/1999	Huttner	.....	D24/158
D. 415,277	10/1999	Tumey et al.	.....	D24/158
4,414,683	11/1983	Robinson	.....	378/177
4,813,811	3/1989	Adams	.....	404/15

**1 Claim, 3 Drawing Sheets**

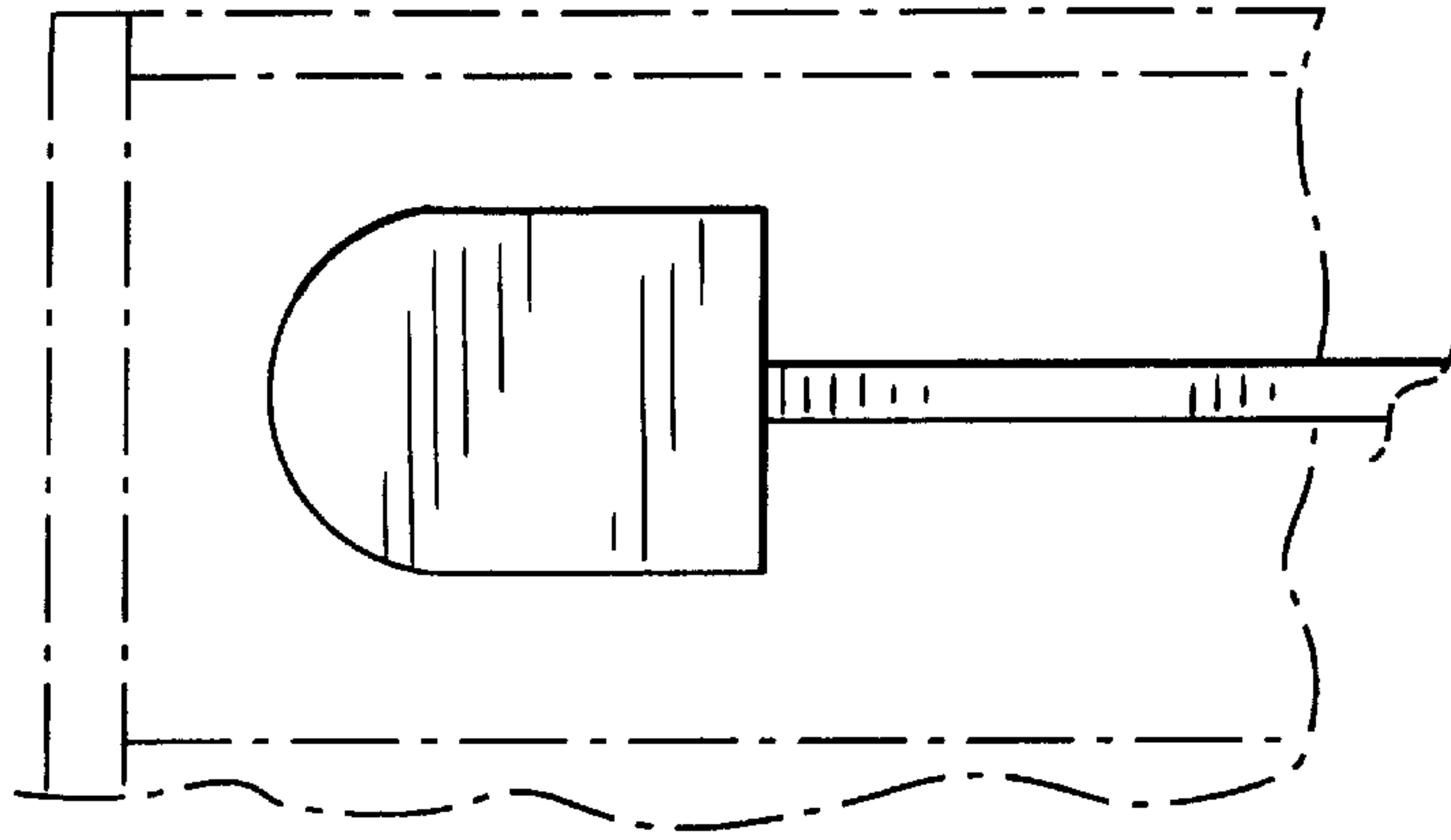




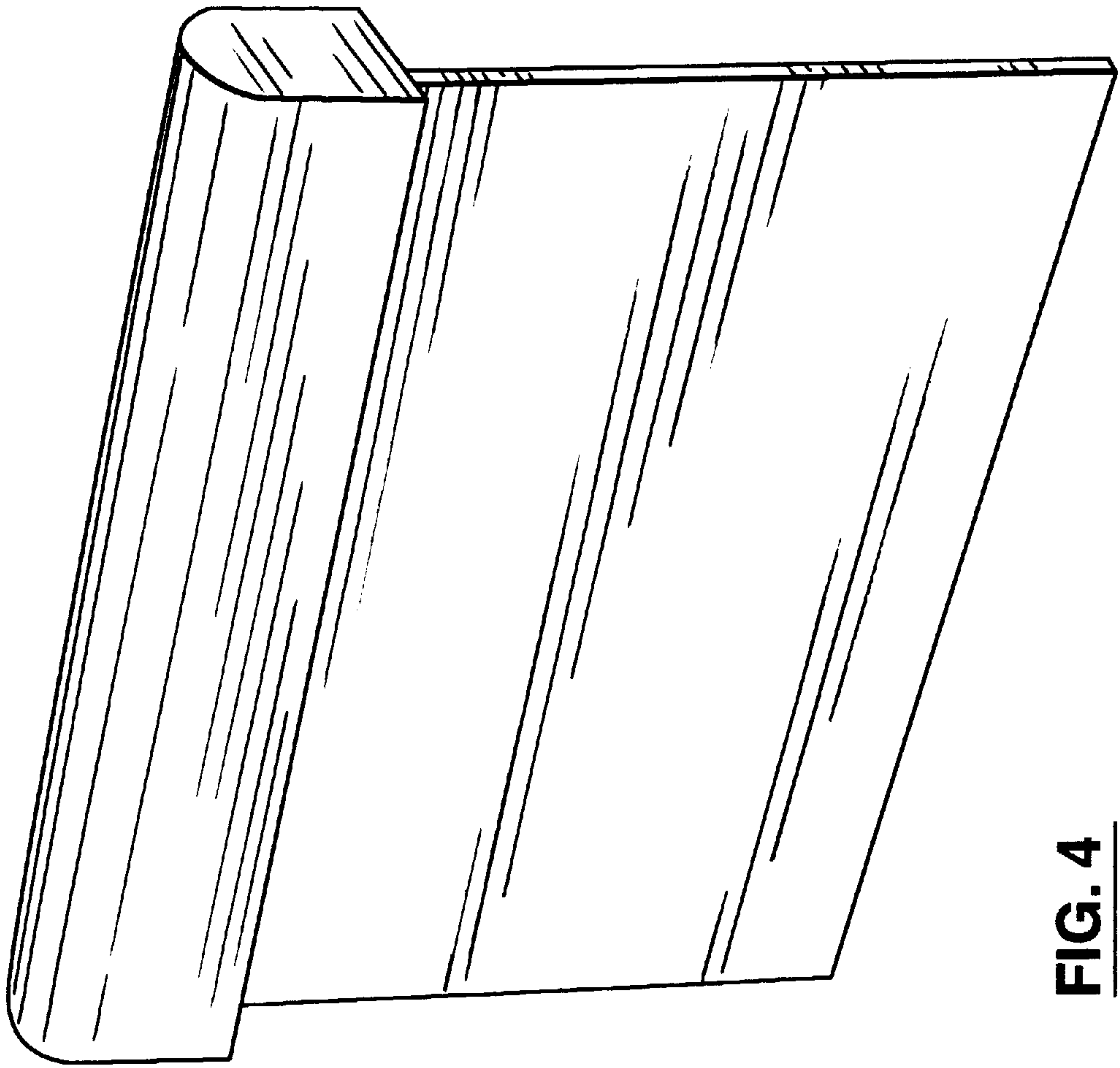
**FIG. 1**



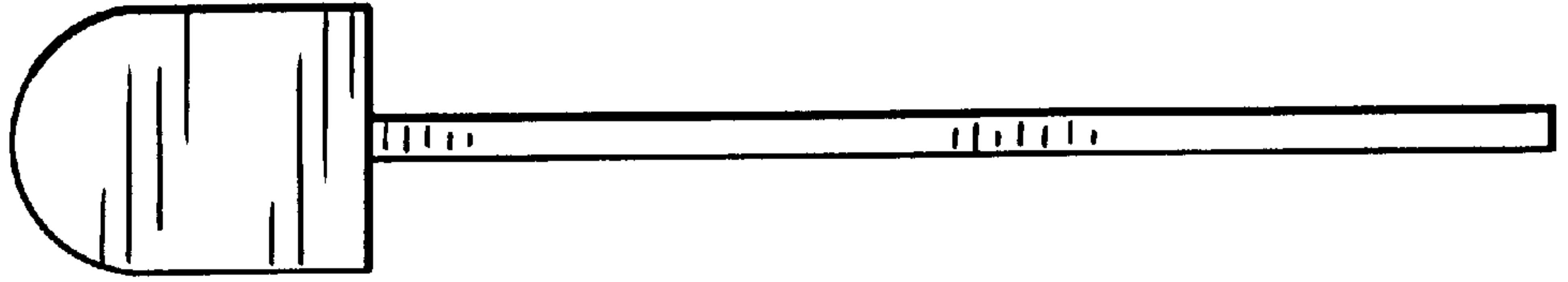
**FIG. 2**



**FIG. 3**



**FIG. 4**



**FIG. 5**