



US00D424195S

# United States Patent [19] Talon

[11] Patent Number: Des. 424,195

[45] Date of Patent: \*\* May 2, 2000

[54] THONG PANTY LINER

5,729,835 3/1998 Williams ..... 2/406

[76] Inventor: Terrienne Talon, 99666 Hulumanu St.,  
Aiea, Hi. 96701-3226

Primary Examiner—Stella Reid

[\*\*] Term: 14 Years

[57] CLAIM

The ornamental design for a thong panty liner, as shown and described.

[21] Appl. No.: 29/105,976

[22] Filed: Jun. 7, 1999

### DESCRIPTION

[51] LOC (7) Cl. .... 24-04

[52] U.S. Cl. .... D24/125; D24/124

[58] Field of Search ..... D24/124, 125;  
604/358, 385.1, 386, 387, 390

FIG. 1 is a perspective view of the thong panty liner in accordance with the present invention showing separation of the leading edge;

FIG. 2 is a bottom plan view thereof without edge separation,

FIG. 3 is a top plan view thereof without edge separation;

FIG. 4 is a rear elevation view thereof showing the separated components together;

FIG. 5 is a front elevation view thereof; and,

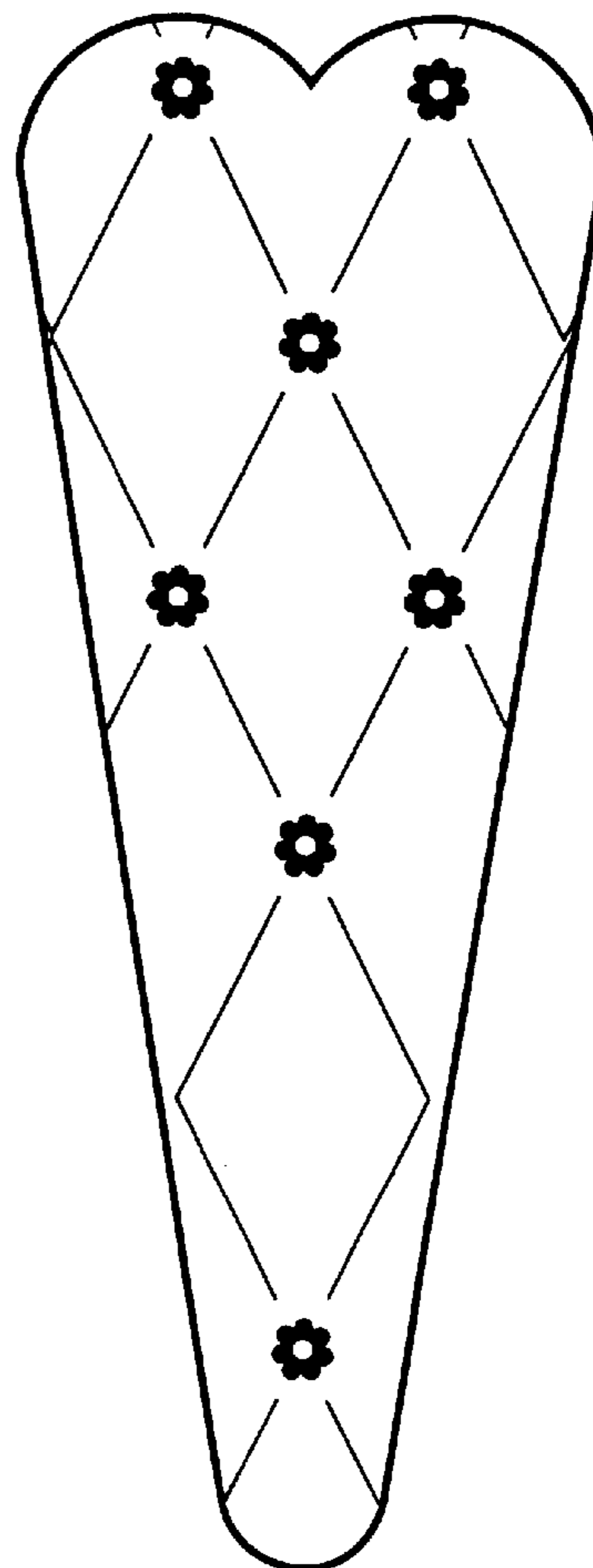
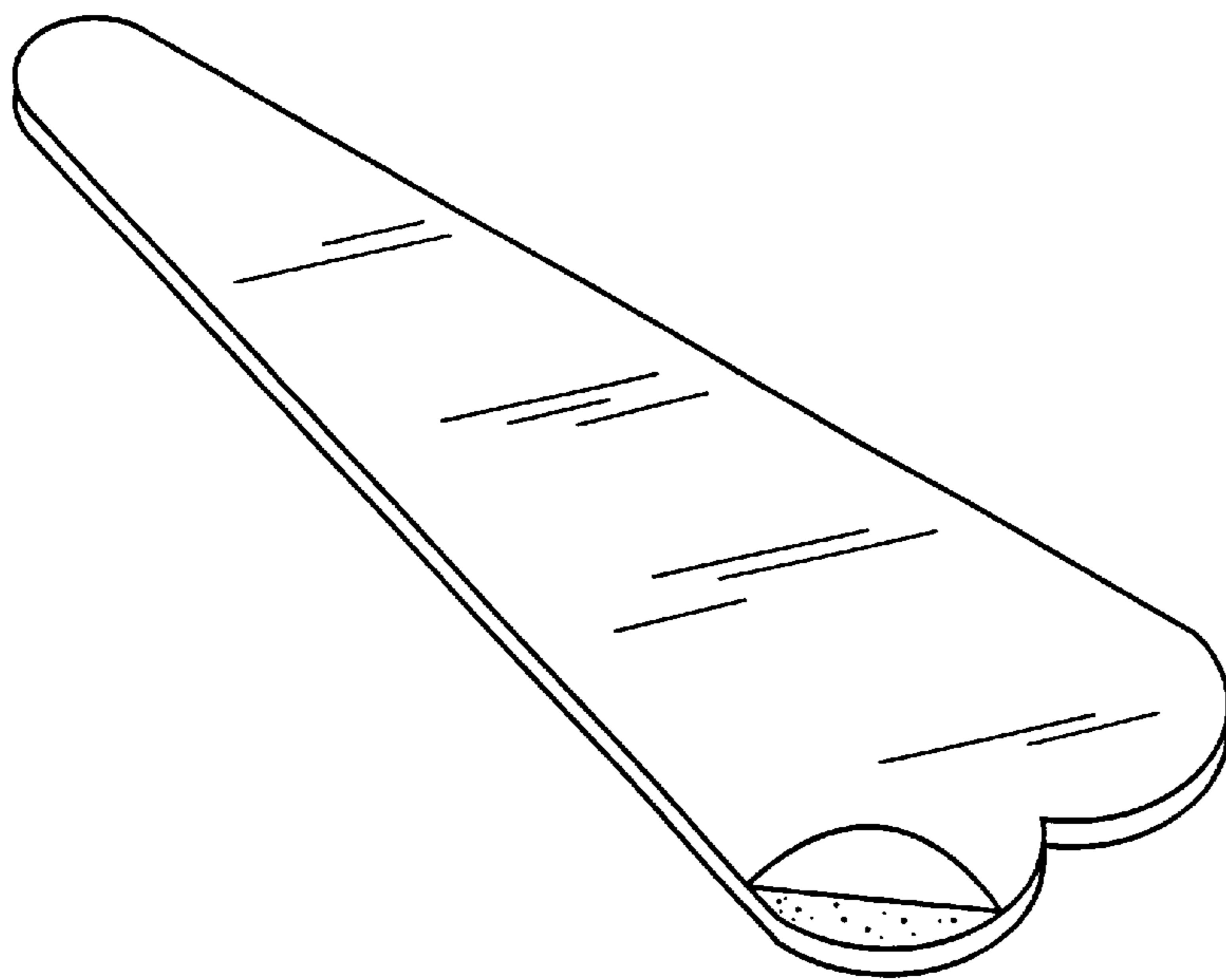
FIG. 6 is a side elevation view thereof, the opposite side elevation view being a mirror image.

### [56] References Cited

#### U.S. PATENT DOCUMENTS

D. 366,524	1/1996	Chung	.....	D24/125
D. 368,519	4/1996	Harrison et al.	.....	D24/125
D. 392,736	3/1998	Erickson	.....	D24/125
D. 394,503	5/1998	Perrini	.....	D24/125

1 Claim, 1 Drawing Sheet



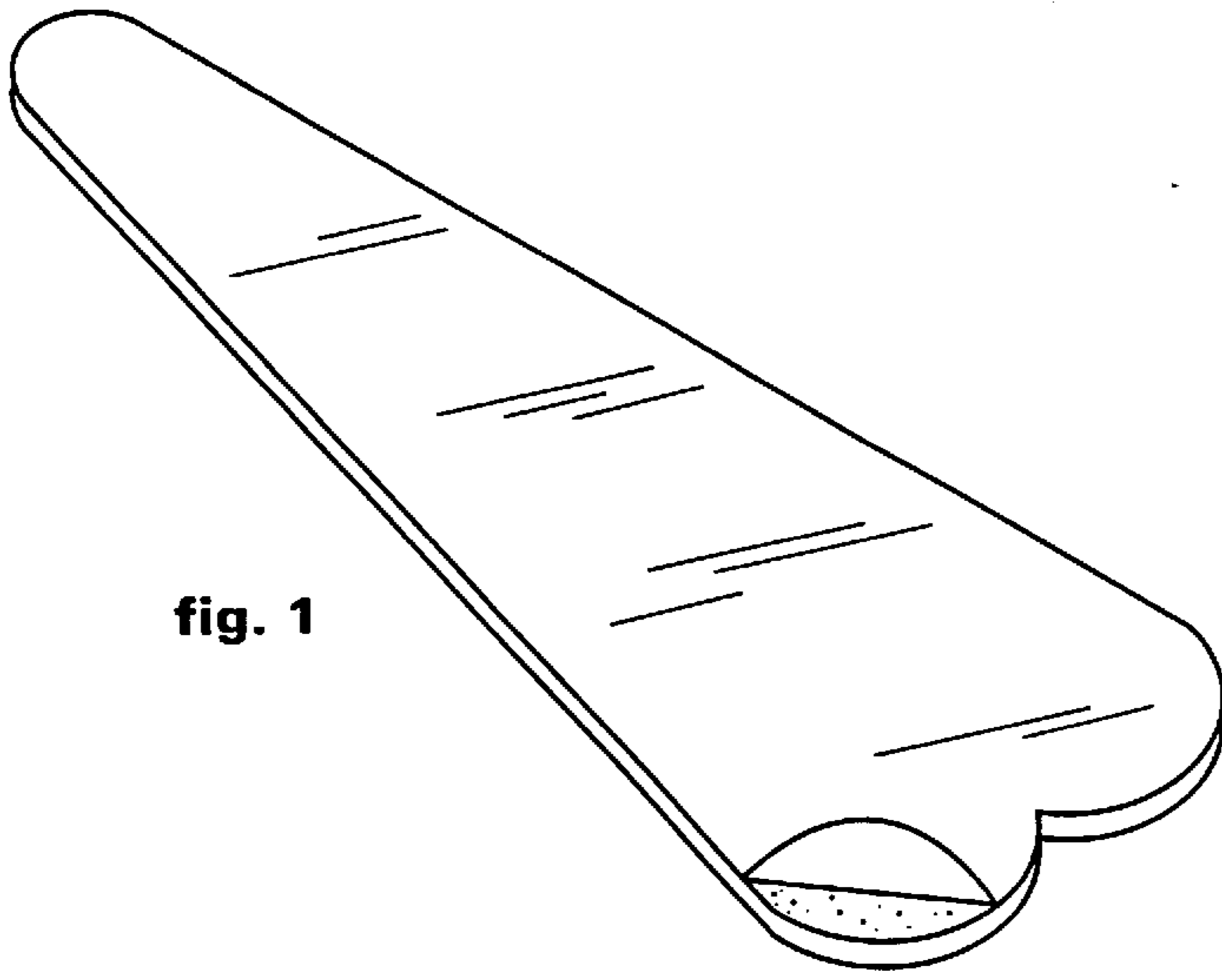


fig. 1



fig. 4

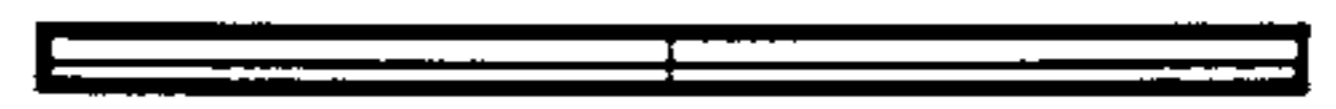


fig. 5

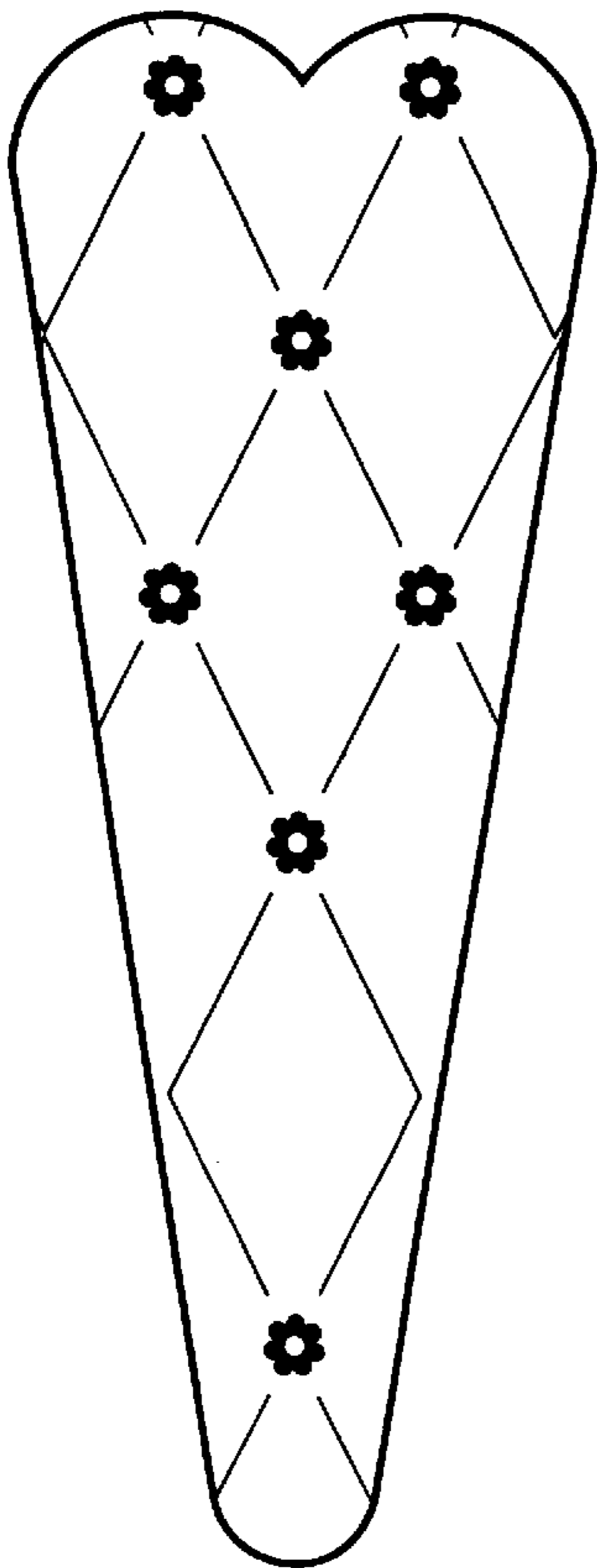


fig. 3



fig. 6

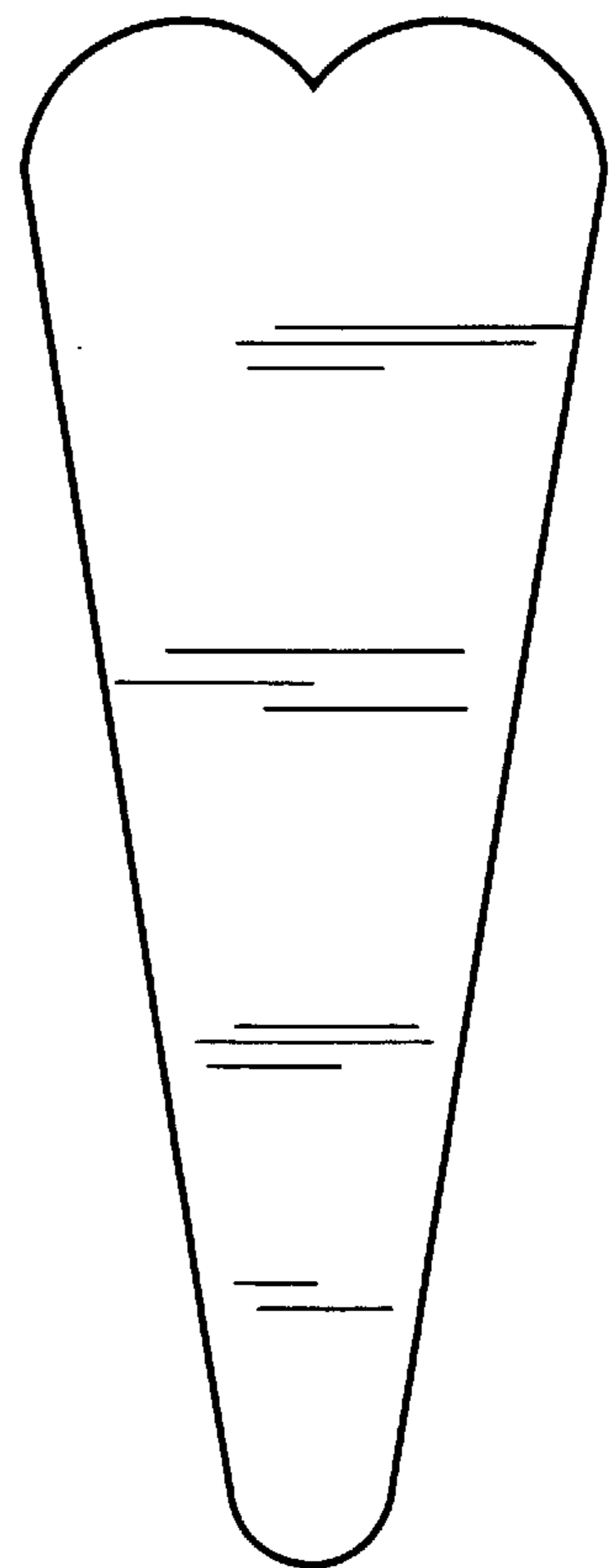


fig. 2