



US00D424194S

United States Patent [19]
Holdaway et al.

[11] **Patent Number: Des. 424,194**
[45] **Date of Patent: ** May 2, 2000**

[54] **CATHETER NEEDLE ASSEMBLY**

[75] Inventors: **Richard G. Holdaway**, Storrs; **P. Spencer Kinsey**, Newington, both of Conn.

[73] Assignee: **Bio-Plexus, Inc.**, Vernon, Conn.

[**] Term: **14 Years**

[21] Appl. No.: **29/095,166**

[22] Filed: **Oct. 16, 1998**

[51] **LOC (7) Cl.** **24-02**

[52] **U.S. Cl.** **D24/112; D24/130**

[58] **Field of Search** D24/112, 130,
D24/113, 146; 604/263, 192, 198, 158,
167, 166, 164, 232, 240, 165, 193, 247,
248, 249

[56] **References Cited**

U.S. PATENT DOCUMENTS

D. 376,200	12/1996	Lindgren et al.	D24/112 X
D. 381,418	7/1997	Erskine et al.	D24/146 X
D. 408,530	4/1999	Eliassen et al.	D24/112
4,627,841	12/1986	Dorr	604/158
4,828,547	5/1989	Sahi et al.	604/110
5,009,642	4/1991	Sahi	604/158
5,120,319	6/1992	Van Heugten et al.	604/168

5,176,655	1/1993	McCormick et al.	604/198
5,250,036	10/1993	Farivar	604/164
5,374,252	12/1994	Banks et al.	604/158
5,462,533	10/1995	Daugherty	604/164
5,645,556	7/1997	Yoon	606/185
5,697,914	12/1997	Brimhall	604/177

FOREIGN PATENT DOCUMENTS

2 147 183	4/1973	Germany	A61M 5/18
802351	10/1958	United Kingdom .	

Primary Examiner—Stella Reid
Assistant Examiner—I Simmons
Attorney, Agent, or Firm—Libert & Associates; Victor E. Libert

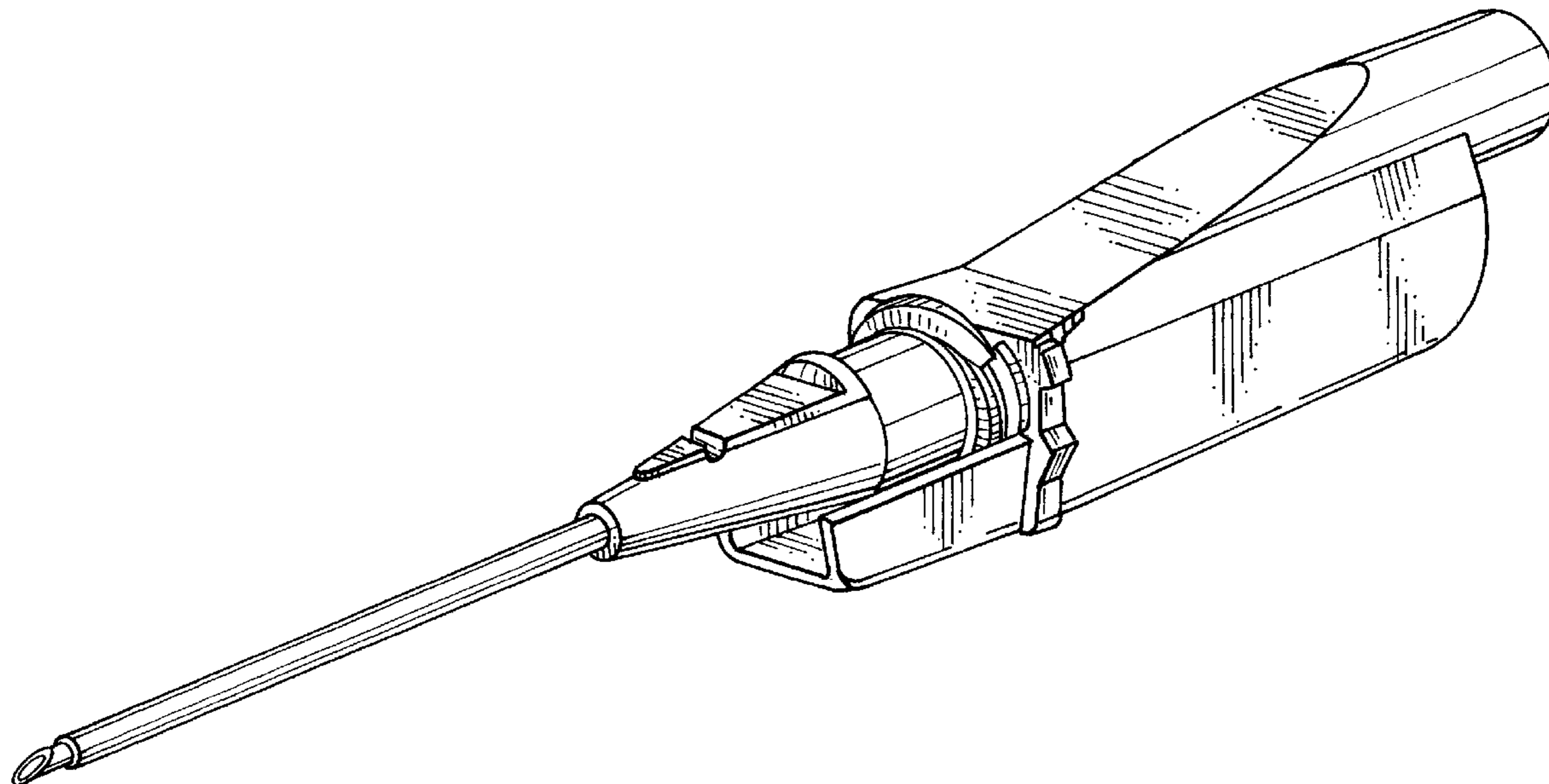
[57] **CLAIM**

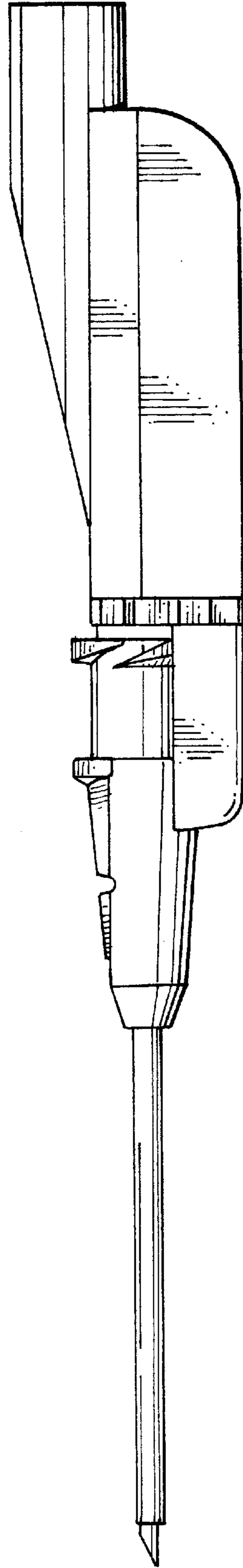
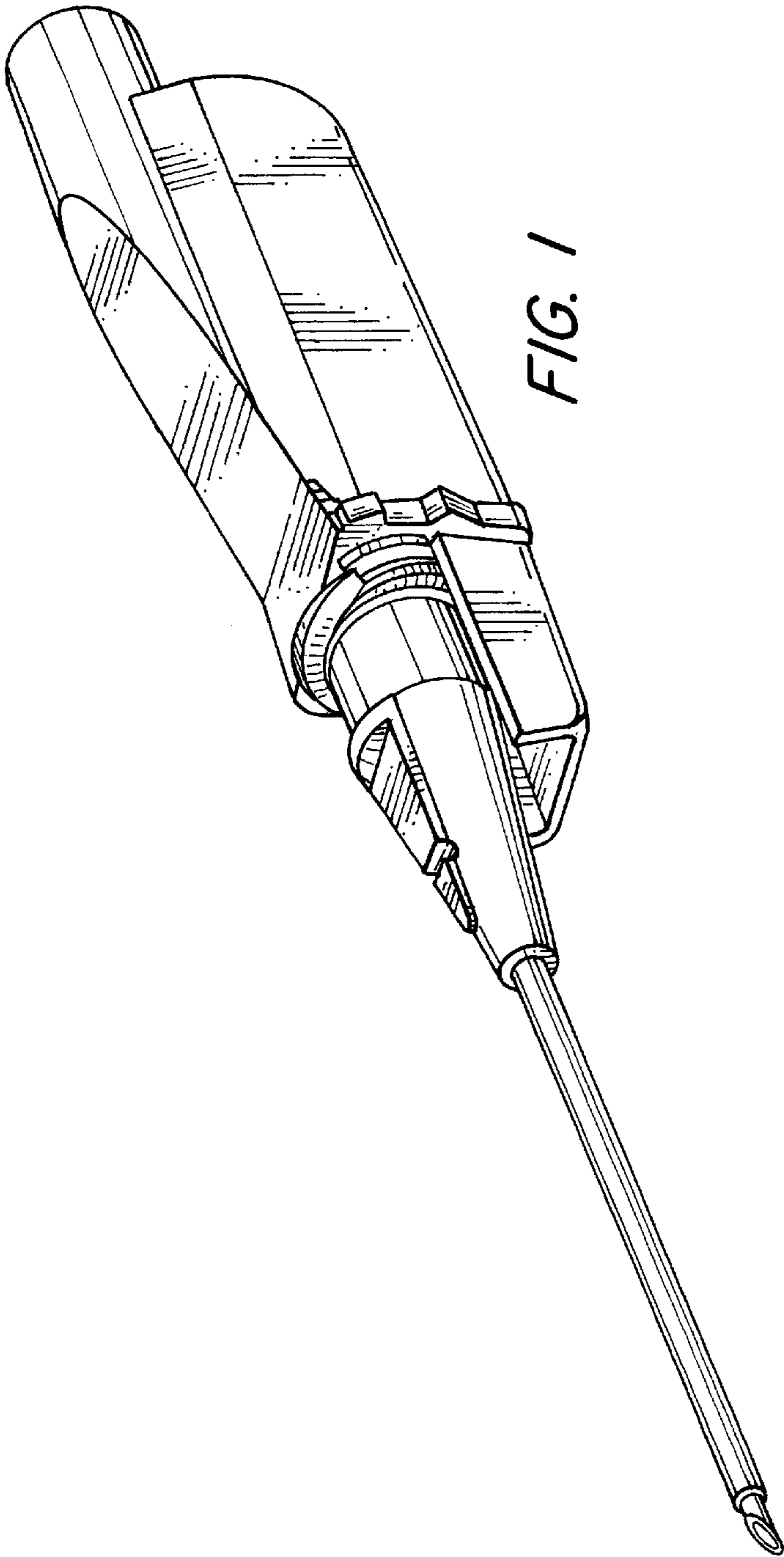
The ornamental design for a catheter needle assembly, as shown and described.

DESCRIPTION

FIG. 1 is a front perspective view of a catheter needle assembly showing our new design;
FIG. 2 is a left side elevational view thereof;
FIG. 3 is a top plan view thereof;
FIG. 4 is a bottom plan view thereof;
FIG. 5 is a front elevational view thereof; and,
FIG. 6 is a rear elevational view thereof.

1 Claim, 2 Drawing Sheets





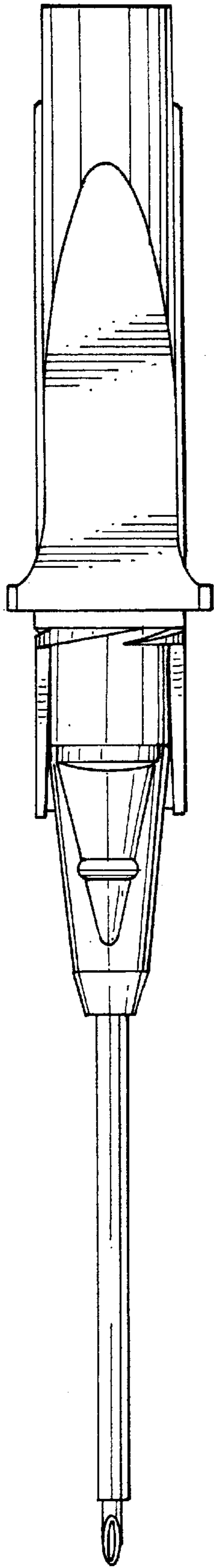


FIG. 3

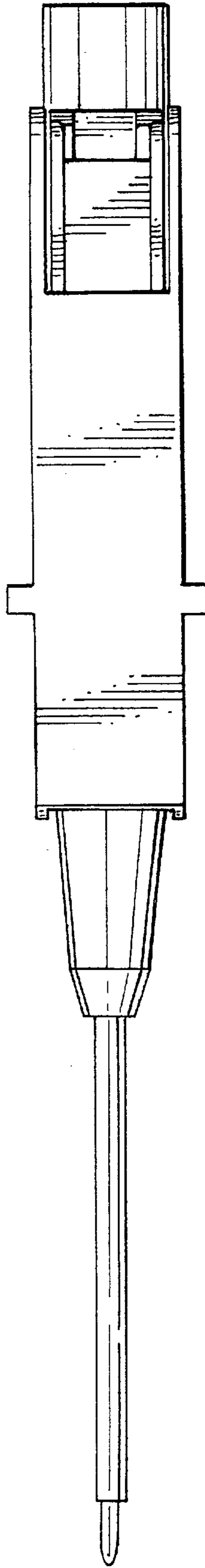


FIG. 4

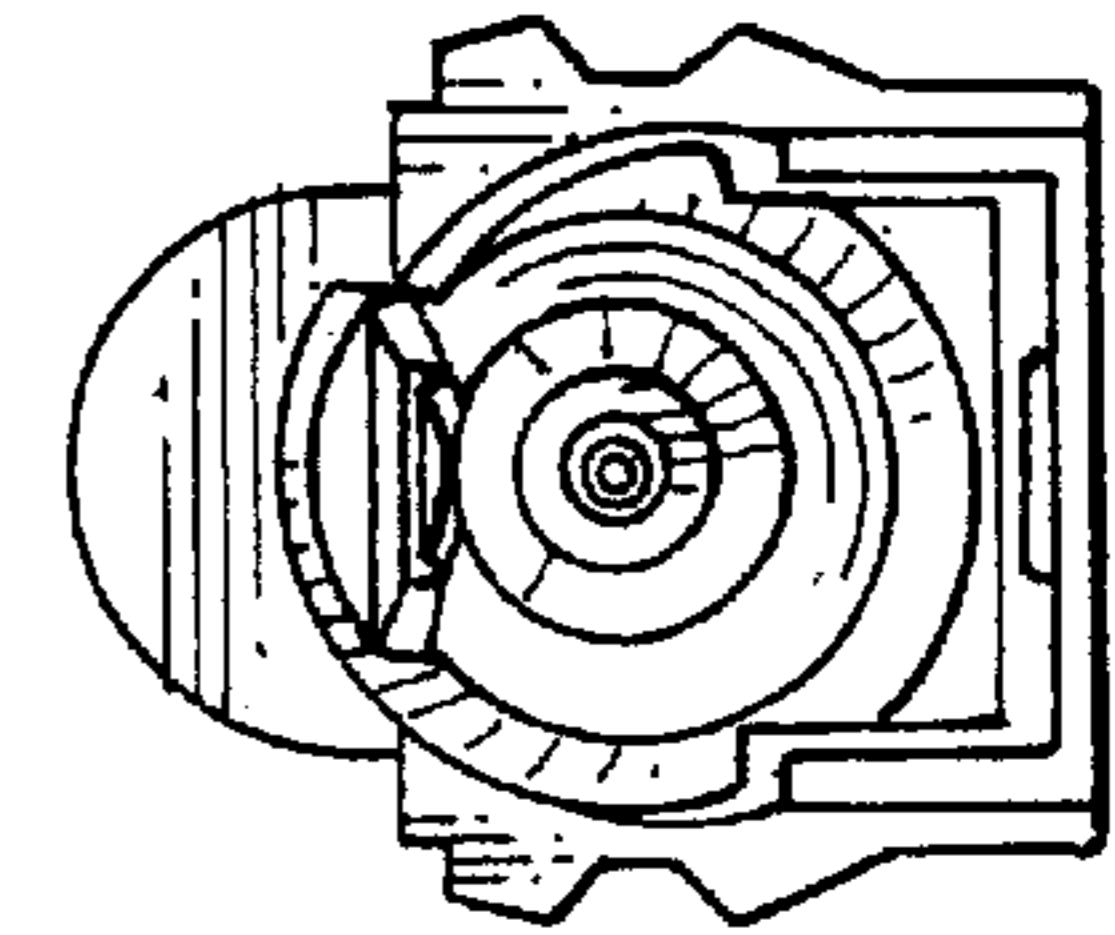


FIG. 5

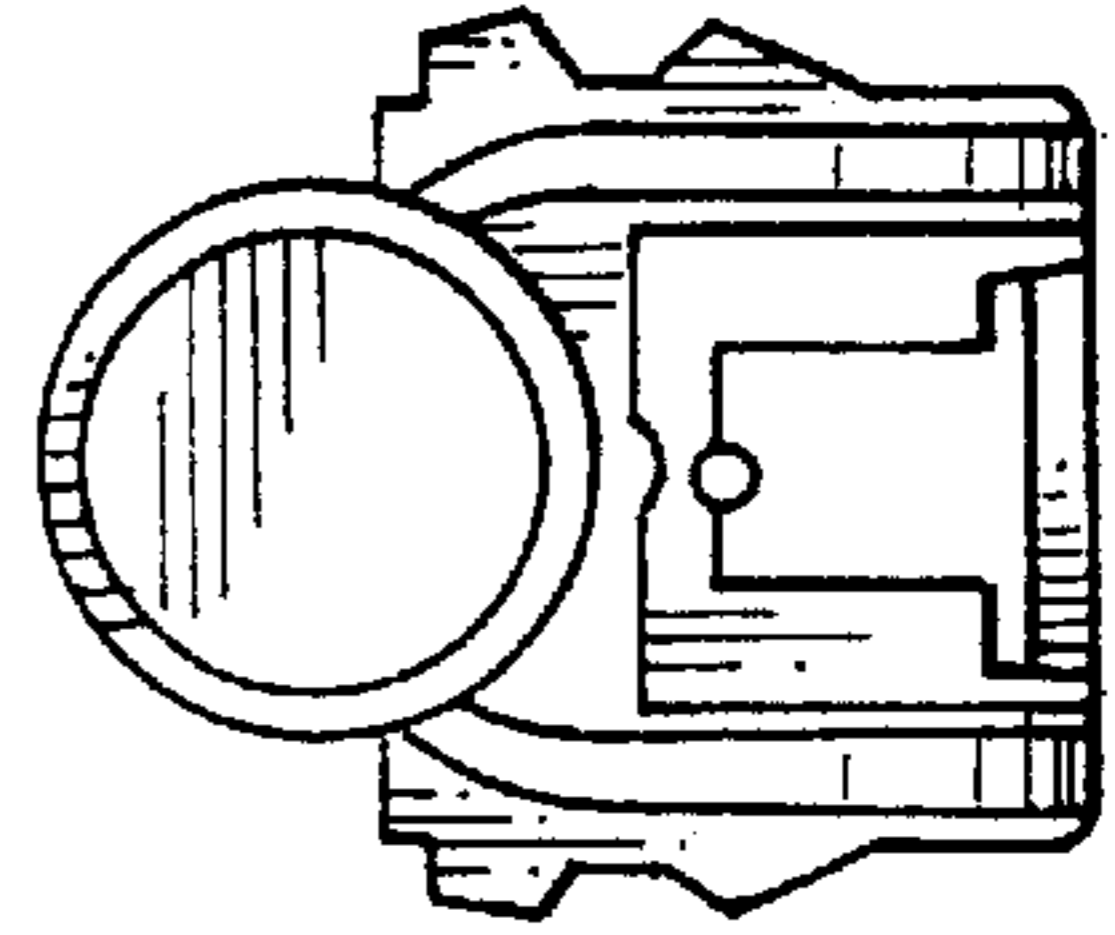


FIG. 6