



US00D424192S

United States Patent [19] Shulze

[11] **Patent Number: Des. 424,192**

[45] **Date of Patent: ** May 2, 2000**

[54] **MEDICAL PRESSURE TRANSDUCER FOR MEASURING BLOOD PRESSURE**

[75] Inventor: **John E. Shulze**, Rancho Santa Margarita, Calif.

[73] Assignee: **Sunscope International, Inc.**, Newport Beach, Calif.

[**] Term: **14 Years**

[21] Appl. No.: **29/075,385**

[22] Filed: **Aug. 18, 1997**

[51] **LOC (7) Cl.** **24-02**

[52] **U.S. Cl.** **D24/107**

[58] **Field of Search** D24/107, 108, D24/129, 164, 169, 187; 600/488, 486, 561; 73/706, 708, 721, 715

[56] **References Cited**

U.S. PATENT DOCUMENTS

4,539,998	9/1985	McCord et al. .	
4,686,764	8/1987	Adams et al. .	
4,776,343	10/1988	Hubbard et al.	600/488
4,920,972	5/1990	Frank et al. .	
5,105,820	4/1992	Moriuchi et al.	600/488
5,135,489	8/1992	Jepson et al. .	
5,203,775	4/1993	Frank et al. .	
5,417,395	5/1995	Fowler et al. .	

5,540,100	7/1996	Von Berg	600/488 X
5,551,300	9/1996	Vurek et al. .	
5,581,038	12/1996	Lampropoulos et al.	600/488
5,752,918	5/1998	Fowler et al.	600/488

FOREIGN PATENT DOCUMENTS

WO95/01195	1/1995	WIPO .
WO 97/01364	1/1997	WIPO .

Primary Examiner—Stella Reid
Assistant Examiner—I Simmons
Attorney, Agent, or Firm—Stout, Uta, Buyan, Mullins, LLP; Donald E. Stout

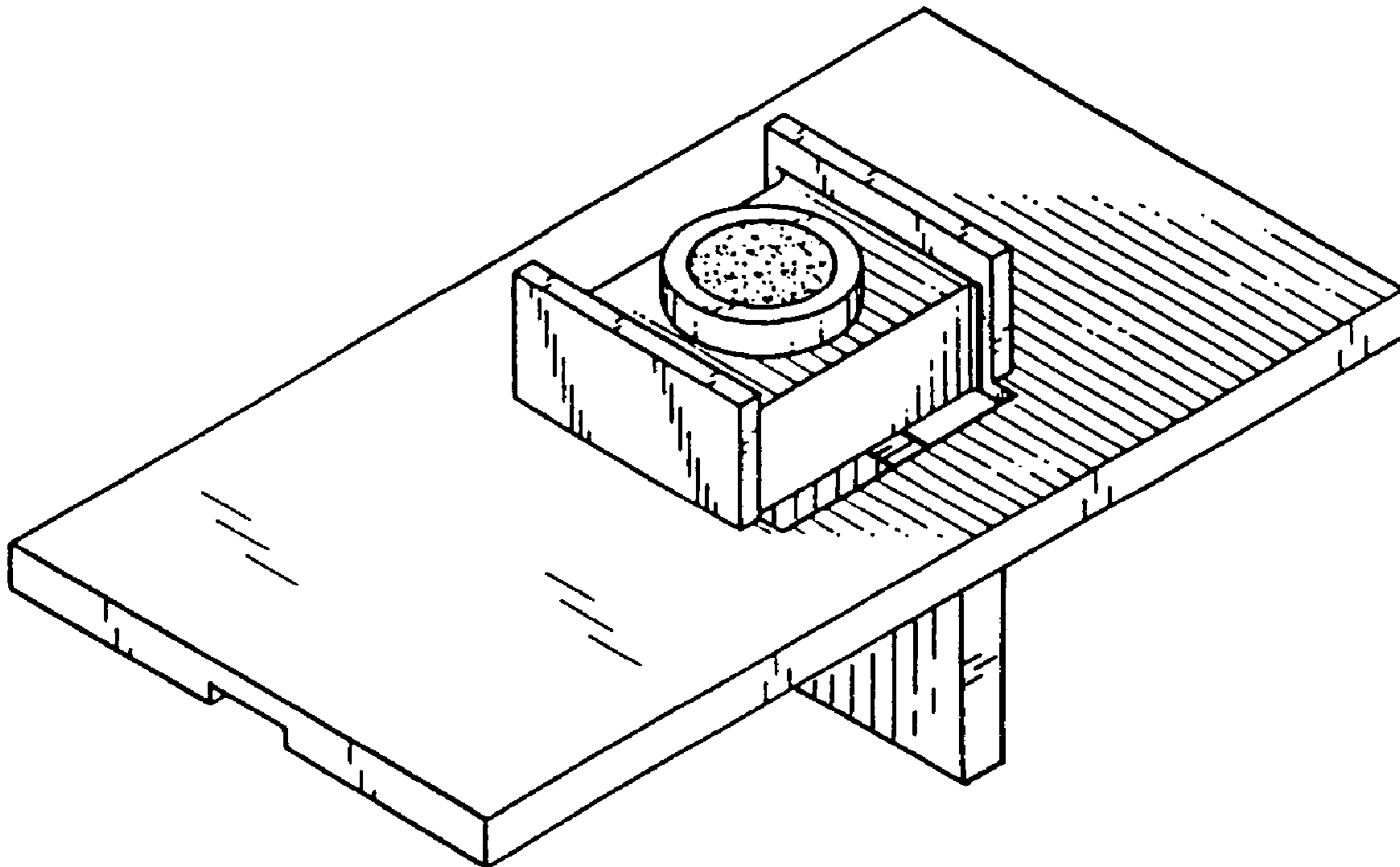
[57] **CLAIM**

The ornamental design for a medical pressure transducer for measuring blood pressure, as shown and described.

DESCRIPTION

FIG. 1 is a front perspective view of a medical pressure transducer for measuring blood pressure showing my new design;
FIG. 2 is a right side elevational view thereof;
FIG. 3 is a left side elevational view thereof;
FIG. 4 is a front elevational view thereof;
FIG. 5 is a rear elevational view thereof;
FIG. 6 is a top plan view thereof; and,
FIG. 7 is a bottom plan view thereof.

1 Claim, 3 Drawing Sheets



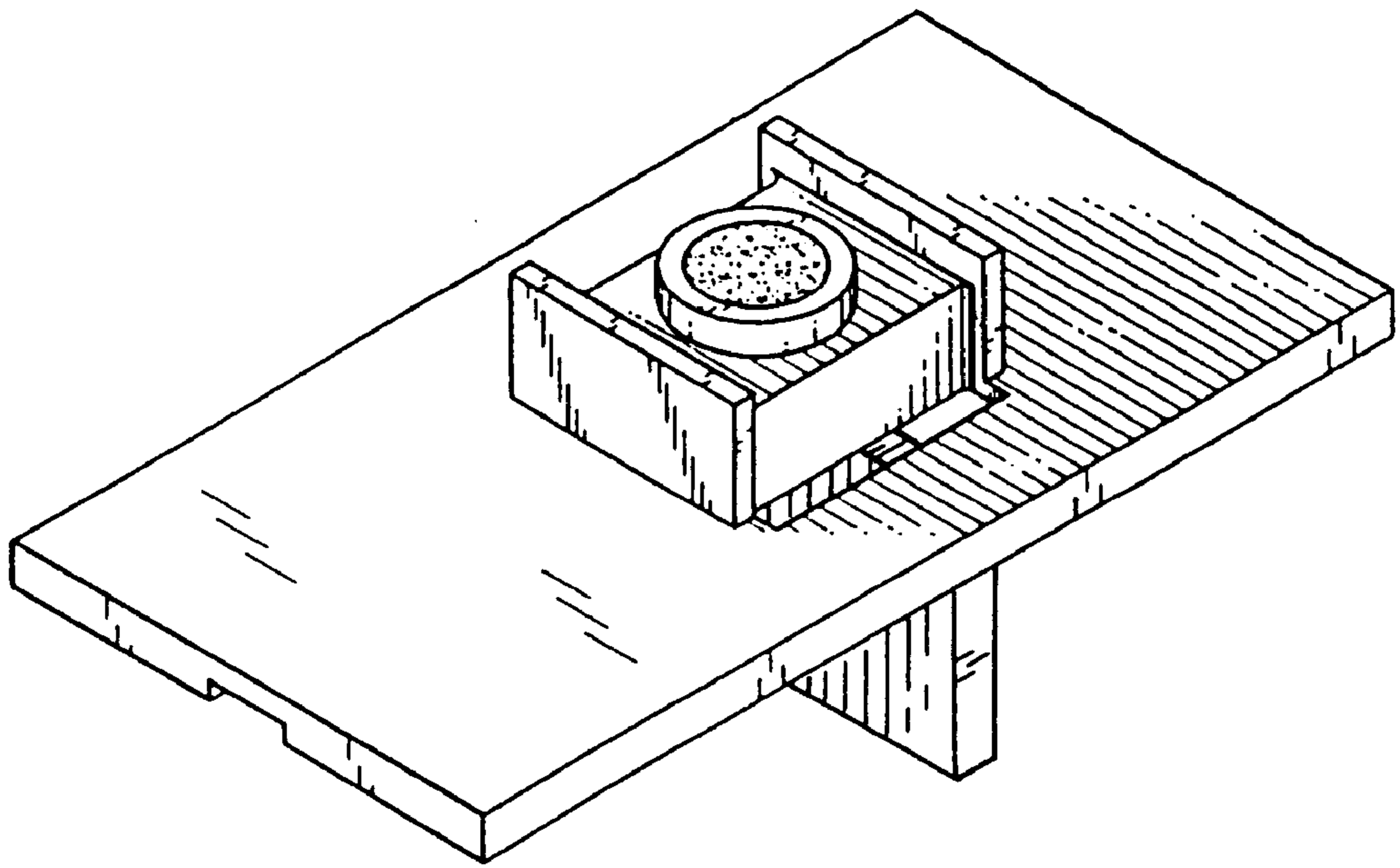


FIG. 1

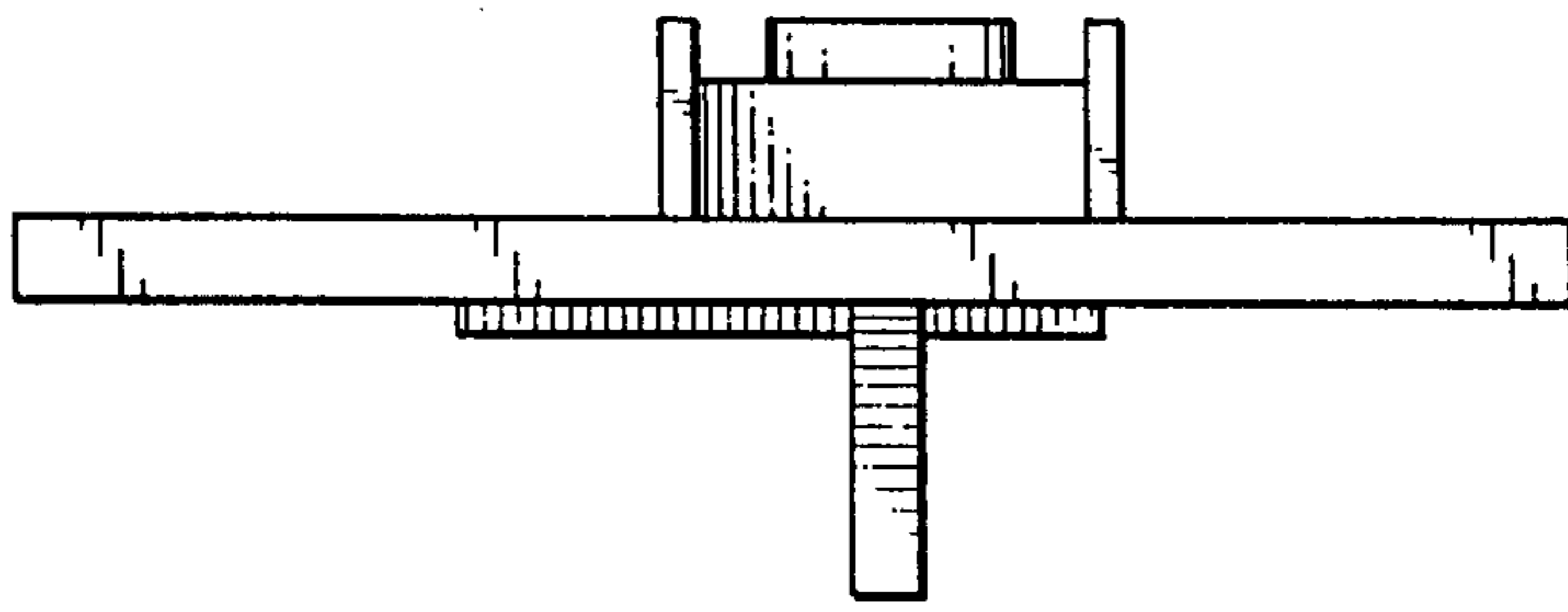


FIG. 2

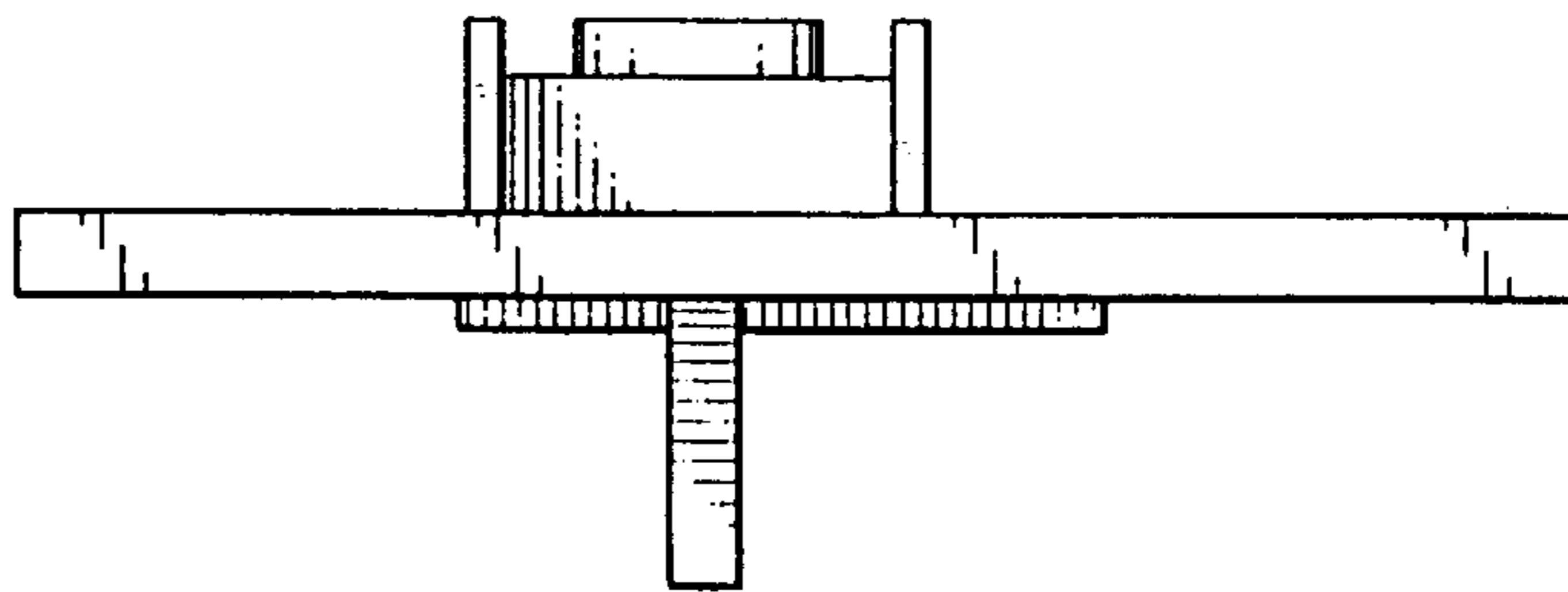


FIG. 3

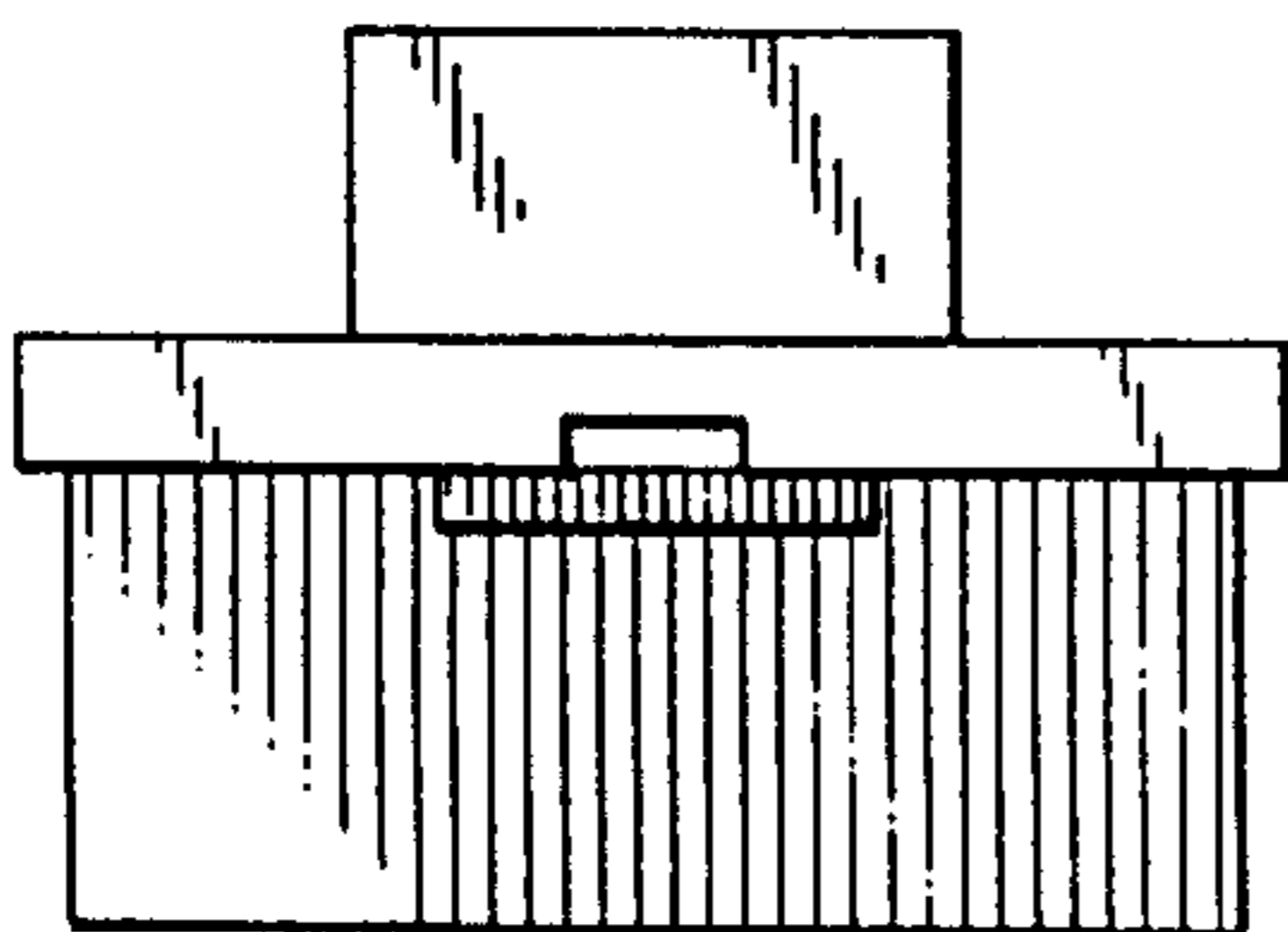


FIG. 4

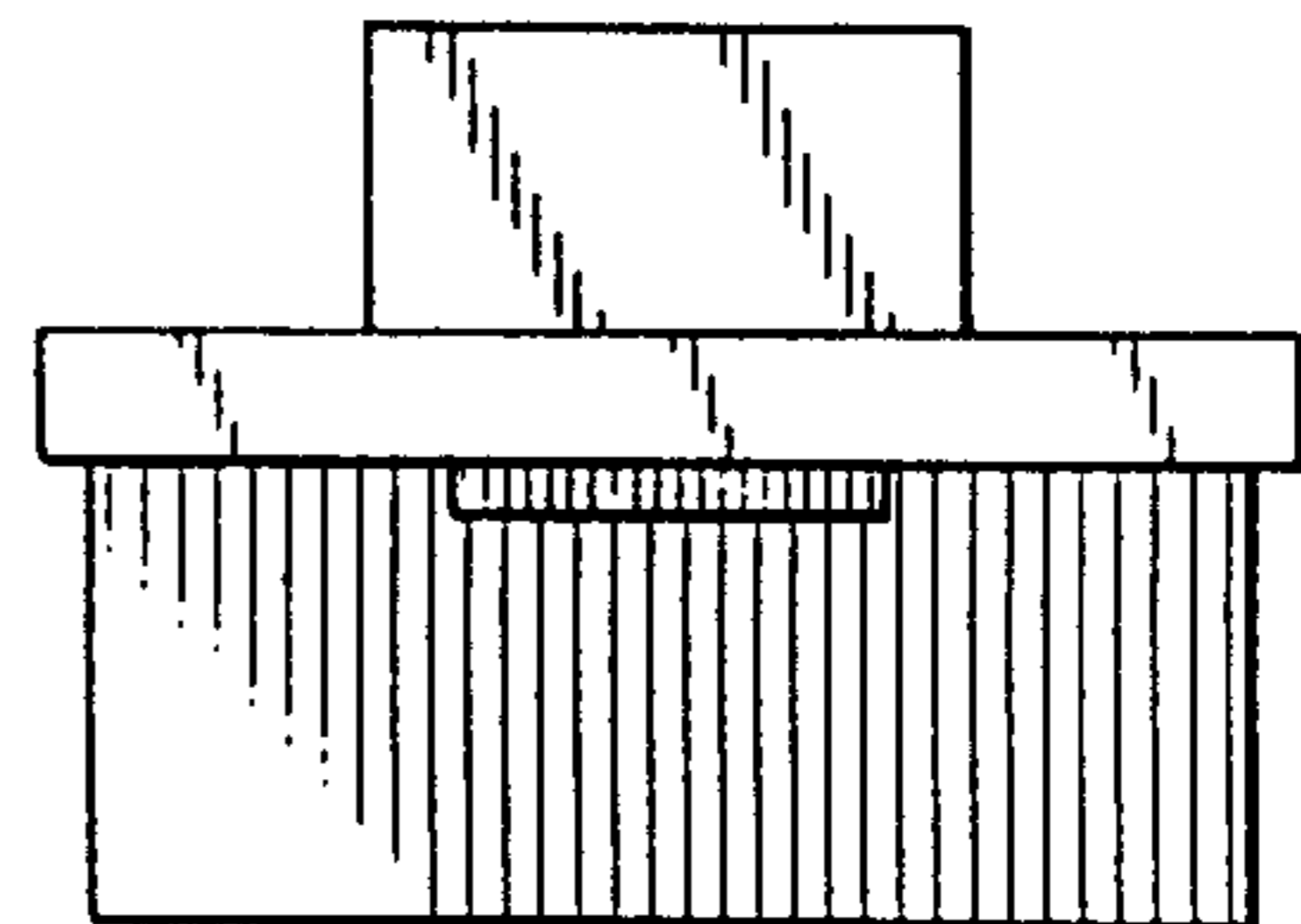


FIG. 5

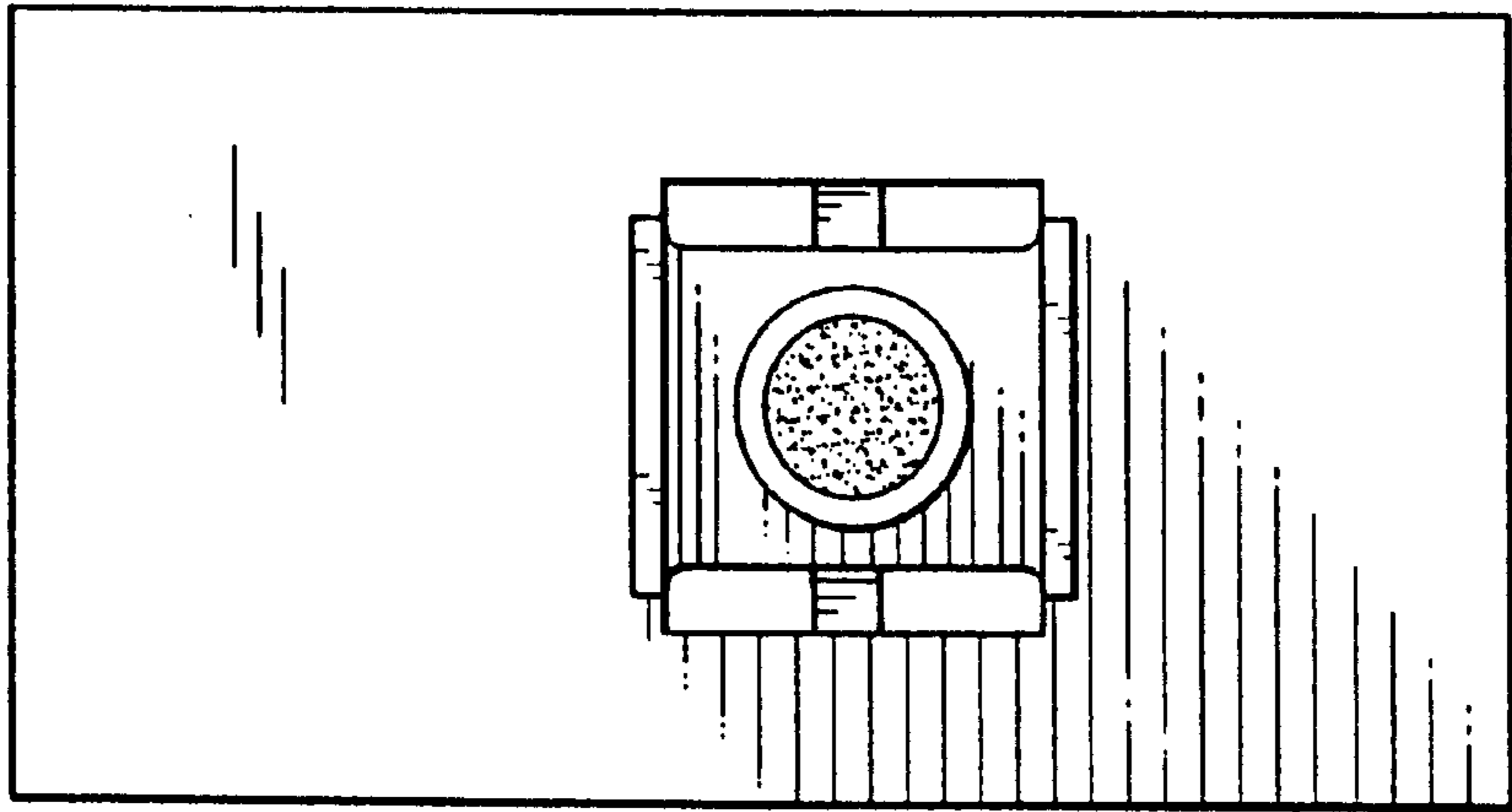


FIG. 6

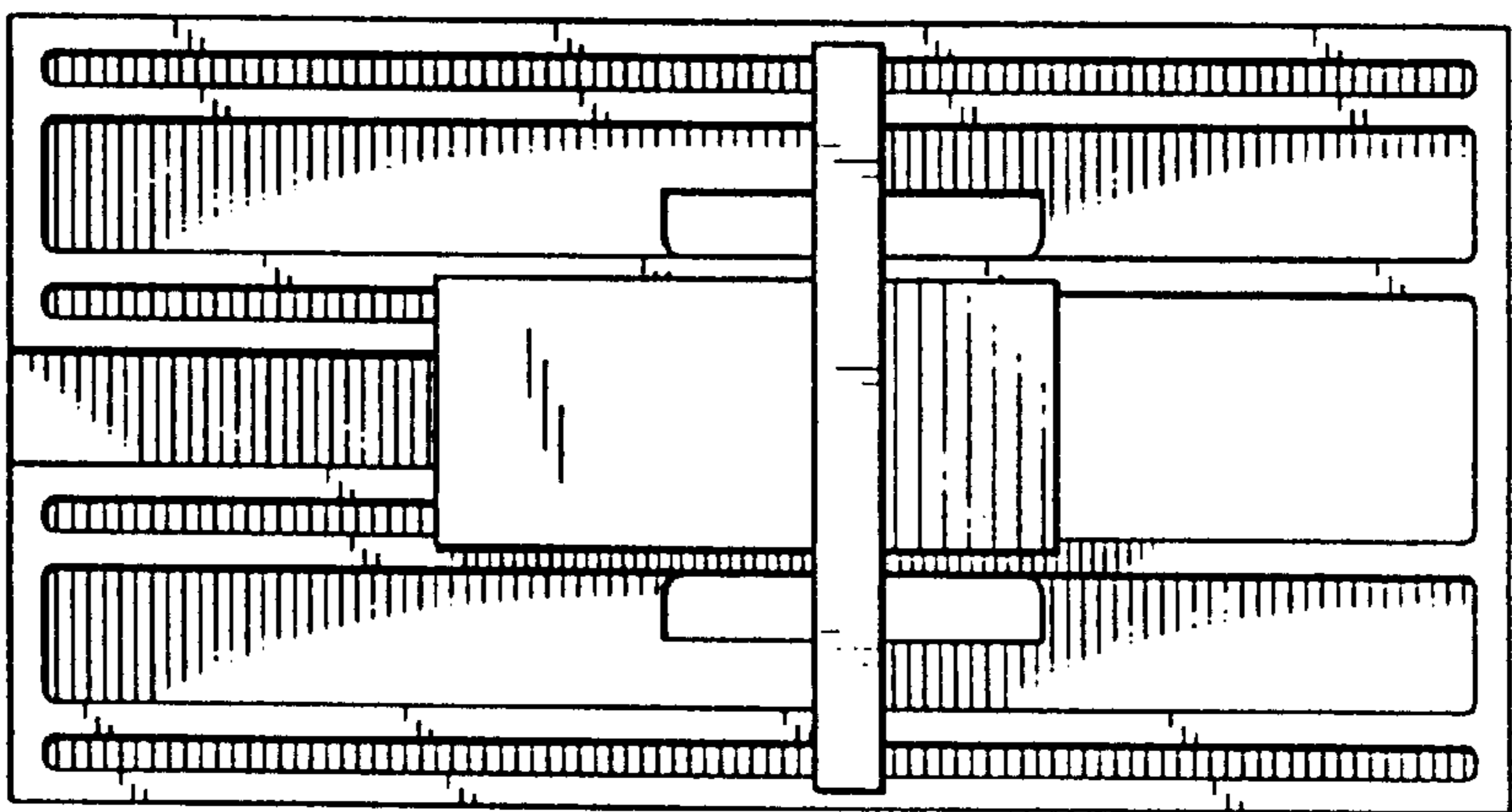


FIG. 7